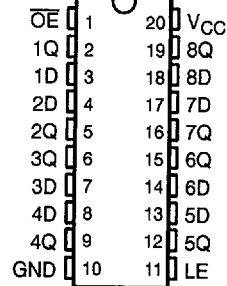


SN74LVC373 OCTAL TRANSPARENT D-TYPE LATCH WITH 3-STATE OUTPUTS

SCAS295 – JANUARY 1993 – REVISED MARCH 1994

- **EPIC™** (Enhanced-Performance Implanted CMOS) Submicron Process
- **Typical V_{OLP} (Output Ground Bounce)**
< 0.8 V at $V_{CC} = 3.3$ V, $T_A = 25^\circ\text{C}$
- **Typical V_{OHV} (Output V_{OH} Undershoot)**
> 2 V at $V_{CC} = 3.3$ V, $T_A = 25^\circ\text{C}$
- **Package Options Include Plastic Small-Outline (DW), Shrink Small-Outline (DB), and Thin Shrink Small-Outline (PW) Packages**

DB, DW, OR PW PACKAGE
(TOP VIEW)



description

This octal transparent D-type latch is designed for 2.7-V to 3.6-V V_{CC} operation.

While the latch-enable (LE) input is high, the Q outputs will follow the data (D) inputs. When the latch enable is taken low, the Q outputs are latched at the logic levels set up at the D inputs.

A buffered output-enable (\overline{OE}) input can be used to place the eight outputs in either a normal logic state (high or low logic levels) or a high-impedance state. In the high-impedance state, the outputs neither load nor drive the bus lines significantly. The high-impedance state and increased drive provide the capability to drive bus lines without need for interface or pullup components.

The output-enable (\overline{OE}) input does not affect the internal operations of the latches. Old data can be retained or new data can be entered while the outputs are in the high-impedance state.

The SN74LVC373 is characterized for operation from -40°C to 85°C .

FUNCTION TABLE
(each latch)

INPUTS			OUTPUT
\overline{OE}	LE	D	Q
L	H	H	H
L	H	L	L
L	L	X	Q_0
H	X	X	Z

EPIC is a trademark of Texas Instruments Incorporated.

PRODUCT PREVIEW information concerns products in the formative or design phase of development. Characteristic data and other specifications are design goals. Texas Instruments reserves the right to change or discontinue these products without notice.



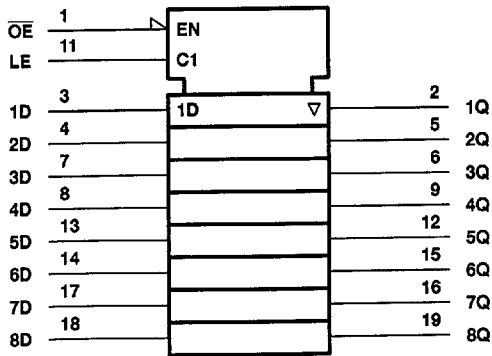
Copyright © 1994, Texas Instruments Incorporated

PRODUCT PREVIEW

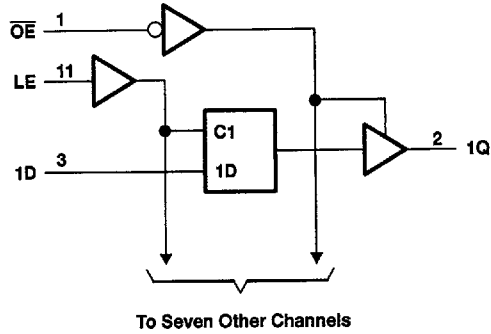
SN74LVC373
OCTAL TRANSPARENT D-TYPE LATCH
WITH 3-STATE OUTPUTS

SCAS295 – JANUARY 1993 – REVISED MARCH 1994

logic symbol



logic diagram (positive logic)



† This symbol is in accordance with ANSI/IEEE Std 91-1984 and IEC Publication 617-12.

absolute maximum ratings over operating free-air temperature range (unless otherwise noted)‡

Supply voltage range, V_{CC}	-0.5 V to 4.6 V
Input voltage range, V_I	-0.5 V to 4.6 V
Output voltage range, V_O (see Note 1)	-0.5 V to $V_{CC} + 0.5$ V
Input clamp current, I_{IK} ($V_I < 0$)	-50 mA
Output clamp current, I_{OK} ($V_O < 0$ or $V_O > V_{CC}$)	±50 mA
Continuous output current, I_O ($V_O = 0$ to V_{CC})	±50 mA
Continuous current through V_{CC} or GND	±100 mA
Maximum power dissipation at $T_A = 55^\circ\text{C}$ (in still air):	
DB package	0.6 W
DW package	1.6 W
PW package	0.7 W
Storage temperature range	-65°C to 150°C

‡ Stresses beyond those listed under "absolute maximum ratings" may cause permanent damage to the device. These are stress ratings only, and functional operation of the device at these or any other conditions beyond those indicated under "recommended operating conditions" is not implied. Exposure to absolute-maximum-rated conditions for extended periods may affect device reliability.

NOTE 1: This value is limited to 4.6 V maximum.

PRODUCT PREVIEW

SN74LVC373
OCTAL TRANSPARENT D-TYPE LATCH
WITH 3-STATE OUTPUTS

SCAS295 - JANUARY 1993 - REVISED MARCH 1994

recommended operating conditions (see Note 2)

		MIN	MAX	UNIT
V _{CC}	Supply voltage	2.7	3.6	V
V _{IH}	High-level input voltage	V _{CC} = 2.7 V to 3.6 V		V
V _{IL}	Low-level input voltage	V _{CC} = 2.7 V to 3.6 V		V
V _I	Input voltage	0	V _{CC}	V
V _O	Output voltage	0	V _{CC}	V
I _{OH}	High-level output current	V _{CC} = 2.7 V		mA
		V _{CC} = 3 V		
I _{OL}	Low-level output current	V _{CC} = 2.7 V		mA
		V _{CC} = 3 V		
Δt/Δv	Input transition rise or fall rate	0	10	ns/V
T _A	Operating free-air temperature	-40	85	°C

NOTE 2: Unused or floating inputs must be held high or low.

electrical characteristics over recommended operating free-air temperature range (unless otherwise noted)

PARAMETER	TEST CONDITIONS	V _{CC} †	T _A = -40°C to 85°C		UNIT
			MIN	MAX	
V _{OH}	I _{OH} = -100 μA	MIN to MAX	V _{CC} - 0.2		V
	I _{OH} = -12 mA	2.7 V	2.2		
		3 V	2.4		
	I _{OH} = -24 mA	3 V	2		
V _{OL}	I _{OL} = 100 μA	MIN to MAX	0.2		V
	I _{OL} = 12 mA	2.7 V	0.4		
		3 V	0.55		
i _I	V _I = V _{CC} or GND	3.6 V	±5		μA
I _{OZ}	V _O = V _{CC} or GND	3.6 V	±10		μA
I _{CC}	V _I = V _{CC} or GND, I _O = 0	3.6 V	20		μA
ΔI _{CC}	V _{CC} = 3 V to 3.6 V, Other inputs at V _{CC} or GND, One input at V _{CC} - 0.6 V,		500		μA
C _i	V _I = V _{CC} or GND	3.3 V			pF
C _o	V _O = V _{CC} or GND	3.3 V			pF

† For conditions shown as MIN or MAX, use the appropriate values under recommended operating conditions.

PRODUCT PREVIEW