



acam-messelectronic gmbH

is now

Member of the ams Group

The technical content of this acam-messelectronic document is still valid.

Contact information:

Headquarters:

ams AG

Tobelbader Strasse 30

8141 Premstaetten, Austria

Tel: +43 (0) 3136 500 0

e-Mail: ams_sales@ams.com

Please visit our website at www.ams.com



PICOCAP[®]

Data Sheet

PCapØ1

Single-chip Solution for Capacitance Measurement
with Standard Firmware 03.01.02

July 15th , 2013

Document-No: DB_PCapØ1-0301_en V0.6

Published by acam-messelectronic gmbh

©acam-messelectronic gmbh 2013

Legal note

The present manual (data sheet and guide) is still under development, which may result in corrections, modifications or additions. acam cannot be held liable for any of its contents, neither for accuracy, nor for completeness. The compiled information is believed correct, though some errors and omissions are likely. We welcome any notification, which will be integrated in succeeding releases.

The acam recommendations are believed useful, the firmware proposals and the schematics operable, nevertheless it is of the customer's sole responsibility to modify, test and validate them before setting up any production process.

acam products are not designed for use in medical, nuclear, military, aircraft, spacecraft or lifesupport devices. Nor are they suitable for applications where failure may provoke injury to people or heavy material damage. acam declines any liability with respect to such non-intended use, which remains under the customer's sole responsibility and risk.

Military, spatial and nuclear use subject to German export regulations.

acam do not warrant, and it is not implied that the information and/or practice presented here is free from patent, copyright or similar protection. All registered names and trademarks are mentioned for reference only and remain the property of their respective owners. The acam logo and the PicoCap logo are registered trademarks of acam-messelectronic gmbh, Germany.

Support / Contact

For a complete listing of Direct Sales, Distributor and Sales Representative contacts, visit the acam web site at:

<http://www.acam.de/sales/distributors/>

For technical support you can contact the acam support team in the headquarters in Germany or the Distributor in your country. The contact details of acam in Germany are:

support@acam.de

or by phone

+49-7244-74190.

Content

1	System Overview	1-1
1.1	Features	1-1
1.2	Applications	1-2
1.3	Block diagram	1-3
1.4	Part Numbers	1-3
2	Characteristics & Specifications	2-1
2.1	Electrical Characteristics	2-2
2.2	CDC Precision	2-4
2.3	Internal RC-Oscillator	2-9
2.4	RDC Precision	2-11
2.5	Power Consumption	2-12
2.6	Package Information	2-13
3	Converter Frontend	3-1
3.1	CDC Measuring Principle	3-2
3.2	Important CDC Parameters	3-2
3.3	CDC External Circuitry	3-4
3.4	Connecting the Capacitive Sensors	3-5
3.5	Selecting the Discharge Resistor	3-6
3.6	Compensation Measurement	3-7
3.7	RDC Temperature Measurement	3-9
4	Interfaces (Serial And Pulse-Density)	4-1
4.1	Serial Interfaces	4-2
4.2	PDM/PWM and GPIO	4-7
5	Write & Read Registers	5-1
5.1	Configuration & Parameter Registers	5-2
5.2	Explanations to Configuration Registers	5-15
5.3	Read Registers	5-20
6	DSP, Memory & Firmware	6-1
6.1	DSP Management and Programming	6-2
6.2	Memory Map	6-4

- 6.3 Memory Management 6-4
- 6.4 OTP Firmware programming 6-5
- 6.5 Getting Started 6-6
- 7 Miscellaneous 7-1
 - 7.1 Bug Report 7-2
 - 7.2 Document History 7-6

1 System Overview

PCap01 is a dedicated Capacitance-to-Digital Conversion Digital Signal Processor. Its front end is based on acam's patented **PICOCAP**® principle. This conversion principle offers high resolution at conversion times as short as 2 μ s. Customers benefit from outstanding flexibility for optimizing power consumption, resolution and speed.

The PCap01A can be used for grounded single and differential sensors as well as for floating single and differential sensors. With grounded capacitors the stray capacitance inside the chip will be compensated. With floating capacitors, further to the internal stray capacitance, the external stray capacitances as well get compensated. Additionally, the temperature can be measured by means of internal thermistors or external ones (platinum or others). Before loading some firmware to it, the chip is not completely operable. Data will end up in ALU instead of being transferred to processor and/or output. Under this circumstance, we chose to write a combined data sheet covering the hardware aspects as well as handling a very basic firmware called O3.01.xx; this basic or "standard" firmware calculates the capacitance and resistance ratios and transfers them to the data output ports, still without doing such further possible processing like filtering and linearization. It is provided free of charge with the chip, yet, it needs to be loaded via SPI or I2C.

For clarity, those aspects that are **standard-firmware related** have been marked with a **blue stripe in the margin**. User-written firmware may behave differently here.

1.1 Features

- Digital measuring principle in CMOS technology
- Up to 8 capacitances in grounded mode
- Up to 4 capacitances in floating mode (potential-free and with zero bias voltage)
- Compensation of internal (grounded) and external parasitic capacities (floating)
- High resolution: up to 6 aF at 5 Hz and 10 pF base capacitance, or 17 bit resolution at 5 Hz with 100 pF base capacitance and 10 pF excitation
- High measurement rate: up to 500 kHz
- Extremely low current consumption possible:
Down to 4 μ A at 3 Hz with 13.4 bit resolution

- High stability with temperature, low offset drift (down to 30 aF per Kelvin), low gain drift when all compensation options are activated.
- Dedicated ports for precision temperature measurement (with Pt1000 sensors, the resolution is 0.005 K)
- Serial interfaces (SPI or I2C compatible)
- Self-boot capability
- Single power supply (2.1 to 3.6 V)
- No need for a clock
- RISC processor core using Harvard architecture:
 - 48 x 48 bit RAM Data
 - 4k x 8 bit volatile program memory for high-speed operation (40 to 100 MHz)
 - 4k x 8 bit non-volatile (OTP) program memory for normal speed operation (up to 40 MHz)

1.2 Applications

- Humidity sensors
- Position sensors
- Pressure sensors
- Force sensors
- Acceleration sensors
- Inclination sensors
- Tilt sensors
- Angle sensors
- Wireless applications
- Level sensors
- Microphones
- MEMS sensors

1.3 Block diagram

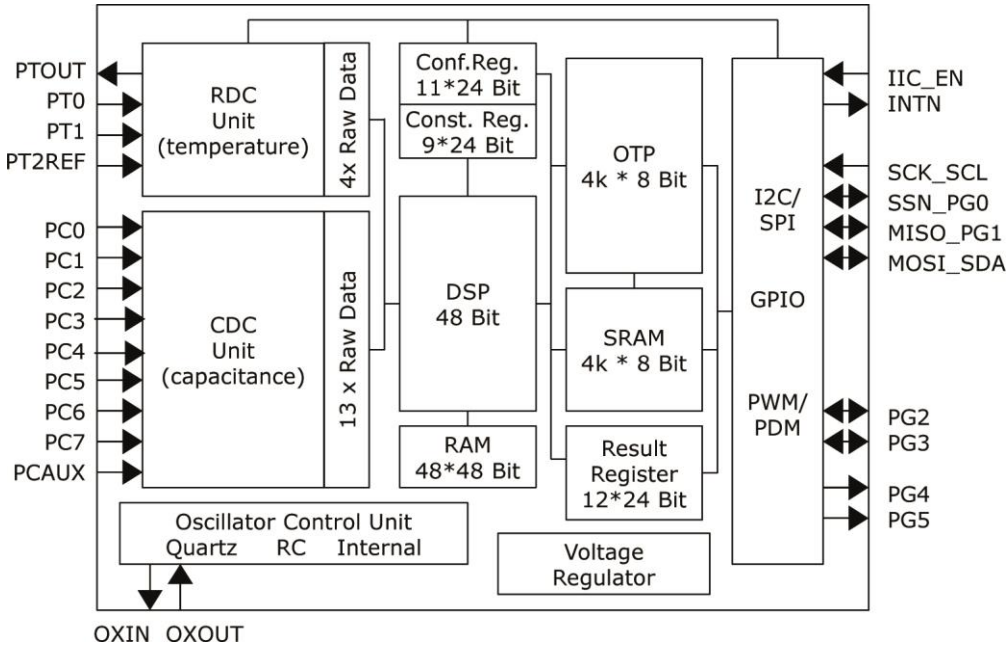


Figure 1-1: Block Diagram

1.4 Part Numbers

Ref.	Package	Name	Conditioning	MOQ
1613	-Dice-	PCap01A	Waffle Pack	100
1793	QFN32	PCap01AD	Tape-on-reel	500
1795	QFN24	PCap01AK	Tape-on-reel	500

Sample policy. Single Laboratory samples of packaged chips are available; concerning dice, however, MOQ applies.

2 Characteristics & Specifications

2.1	Electrical Characteristics	2-2
2.1.1	Absolute Maximum Ratings	2-2
2.1.2	Recommended Operating Conditions	2-3
2.2	CDC Precision	2-4
2.2.1	RMS Noise and Resolution vs. Output Data Rate	2-4
2.2.2	RMS Noise vs. Supply Voltage	2-7
2.2.3	Voltage-Dependent Offset and Gain Error (PSRR)	2-7
2.2.4	Temperature-Dependent Offset and Gain Error	2-8
2.3	Internal RC-Oscillator	2-9
2.4	RDC Precision	2-11
2.5	Power Consumption	2-12
2.6	Package Information	2-13
2.6.1	Dice - Pad Layout	2-13
2.6.2	QFN Packages	2-14
2.6.3	Pin-Out QFN32 and QFN24 Versions	2-15
2.6.4	Pin/Pad Assignment	2-16

2.1 Electrical Characteristics

2.1.1 Absolute Maximum Ratings

Supply voltage $V_{DD-to-GND}$	- 0.3 to 4.0 V
Storage temperature T_{stg}	- 55 to 150 °C
ESD rating (HBM), each pin	> 2 kV
Junction temperature (T_j)	max. 125 °C
OTP Data Retention Period	10 years at 95 °C temperature

2.1.2 Recommended Operating Conditions

Table 2-1: Operating conditions

Quantity	Symbol	Remarks	Min.	Typ.	Max.	Unit
Supply voltage	V_{DD}		2.1		3.6	V
Digital port voltage	$V_{io_digital}$	Relative to ground	- 0.6	3.3	$V_{DD} + 0.6$ ≤ 3.6	V
Digital ports switching level		HIGH γ_b LOW LOW γ_b HIGH		0.3 * V_{DD} 0.7 * V_{DD}		
Analog port voltage	V_{io_analog}		- 0.6		$V_{DD} + 0.6$ ≤ 3.6	V
OTP Programming voltage	V_{OTP}	Between "VPP_OTP" port and ground.		6.5	7.0	V
SPI bus frequency	$f_{SPI-bus}$	Clock frequency for the 4-wire SPI bus operation	0		20	MHz
Buffer strength		e.g. for the MISO line			2.5	mA
I2C bus frequency		Speed (data rate) of the 2-wire I2C bus operation	0	100		kHz
OTP Bit hold time		Bit hold time for OTP write	30		500	μ s
GPIO input rise time		Rise time of the input signal put to general-purpose I/O			t.b.d.	ns
GPIO output rise time		Rise time of the output signal from a general-purpose I/O			t.b.d.	ns
CDC discharge time		MR1	0		40	μ s
RDC discharge time			0		100	μ s
Junction Temperature	T_j	Junction temperature must not exceed +125 °C	- 40		+ 125	°C
Ambient Temperature	T_a	At $V_{DD} = 2.4V \pm 0.3V$	- 40		+ 125	°C

Overclocking the I2C bus is technically possible but within the sole responsibility of the customer (a license may be necessary).

2.2 CDC Precision

2.2.1 RMS Noise and Resolution vs. Output Data Rate

Table 2-2 Typical Capacitive Noise & Resolution vs. Output Data Rate, 10 pF Base + 1 pF Span, fast settle, V = 3.0 V

Output Data Rate [Hz]	FLOATING Fully compensated			GROUNDED Internally compensated		
	RMS Noise [aF]	Eff. Resolution 10 pF base [Bits]	Eff. Resolution 1 pF span [Bits]	RMS Noise [aF]	Eff. Resolution 10 pF base [Bits]	Eff. Resolution 1 pF span [Bits]
5	6	20.7	17.3	6	20.7	17.3
10	13	19.6	16.2	11	19.8	16.5
25	20	18.9	15.6	17	19.2	15.8
100	39	18.0	14.6	22	18.8	15.5
250	72	17.1	13.8	29	18.4	15.1
1,000	157	16.0	12.6	66	17.2	13.9
3,500	290	15.1	11.8	139	16.1	12.8
7,000	420	14.5	11.2	176	15.8	12.5
10,000	495	14.3	11.0	246	15.3	12.0

Root mean-square (RMS) noise in aF as a function of output data rate in Hz, measured at 3.0 V supply voltage using the maximum possible sample size for in-chip averaging at the minimum possible cycle time. Bit values are calculated as a binary logarithm of noise (in attofarad) over the base and excitation capacitance values. The measurements have been done with the PCapØ1 evaluation board, with fixed COG ceramic capacitors.

Both, sensor and reference are connected “floating” or “grounded”, as indicated. When floating, compensation mechanisms for both internal and external stray capacitance are activated; when grounded, internal only.

Table 2-3 Typical Capacitive Noise & Resolution vs. Output Data Rate, 33 pF Base + 3.3 pF Span, fast settle, V = 3.0 V

Output Data Rate [Hz]	FLOATING Fully compensated			GROUNDED Internally compensated		
	RMS Noise [aF]	Eff. Resolution 33 pF base [Bits]	Eff. Resolution 3.3 pF span [Bits]	RMS Noise [aF]	Eff. Resolution 33 pF base [Bits]	Eff. Resolution 3.3 pF span [Bits]
5	18	20.8	17.5	12	21.4	18.1
10	26	20.3	17.0	16	21.0	17.7
25	42	19.6	16.3	28	20.2	16.8
100	79	18.7	15.4	50	19.3	16.0
250	134	17.9	14.6	75	18.7	15.4
1,000	321	16.6	13.3	176	17.5	14.2
3,500	546	15.9	12.6	325	16.6	13.3
7,000	756	15.4	12.1	508	16.0	12.7
10,000	1119	14.8	11.5	742	15.4	12.1

Table 2-4 Typical Capacitive Noise & Resolution vs. Output Data Rate, 100 pF Base + 10 pF Span, fast settle, V = 3.0 V

Output Data Rate [Hz]	FLOATING Fully compensated			GROUNDED Internally compensated		
	RMS Noise [aF]	Eff. Resolution 100 pF base [Bits]	Eff. Resolution 10 pF span [Bits]	RMS Noise [aF]	Eff. Resolution 100 pF base [Bits]	Eff. Resolution 10pF span [Bits]
5	71	20.4	17.1	106	19.8	16.5
10	91	20.1	16.7	133	19.5	16.2
25	185	19.0	15.7	226	18.8	15.4
100	321	18.2	14.9	350	18.1	14.8
250	543	17.5	14.2	480	17.7	14.3
1,000	1044	16.5	13.2	987	16.6	13.3
3,500	3320	14.9	11.6	1965	15.6	12.3
7,000	4226	14.5	11.2	3675	14.7	11.4

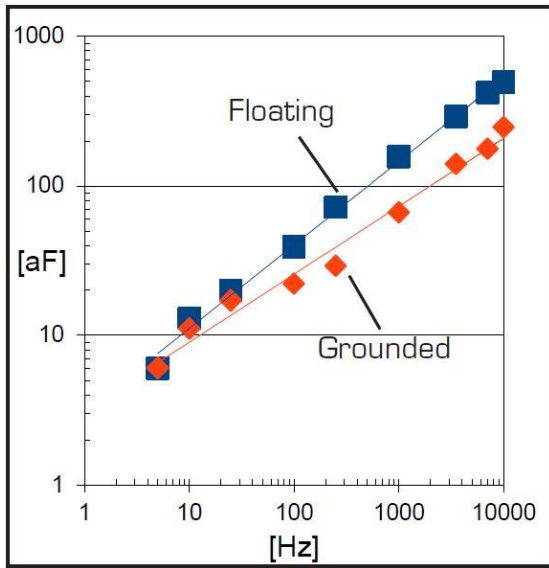


Figure 2-1 Typical Capacitive Noise vs. Output Data Rate, with 10 pF Base Capacitance, V = 3.0 V

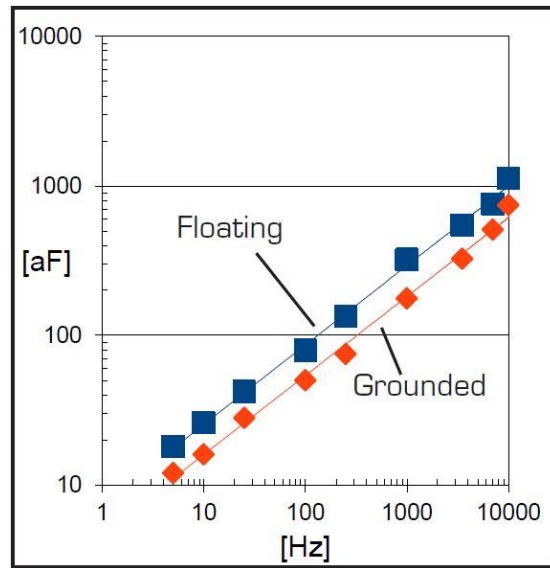


Figure 2-2 Typical Capacitive Noise vs. Output Data Rate, with 33 pF Base Capacitance, V = 3.0 V

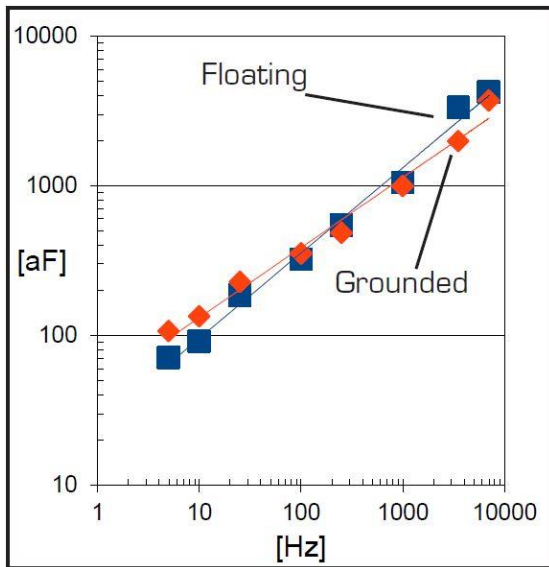


Figure 2-3 Typical Capacitive Noise vs. Output Data Rate, with 100 pF Base Capacitance, V = 3.0 V

2.2.2 RMS Noise vs. Supply Voltage

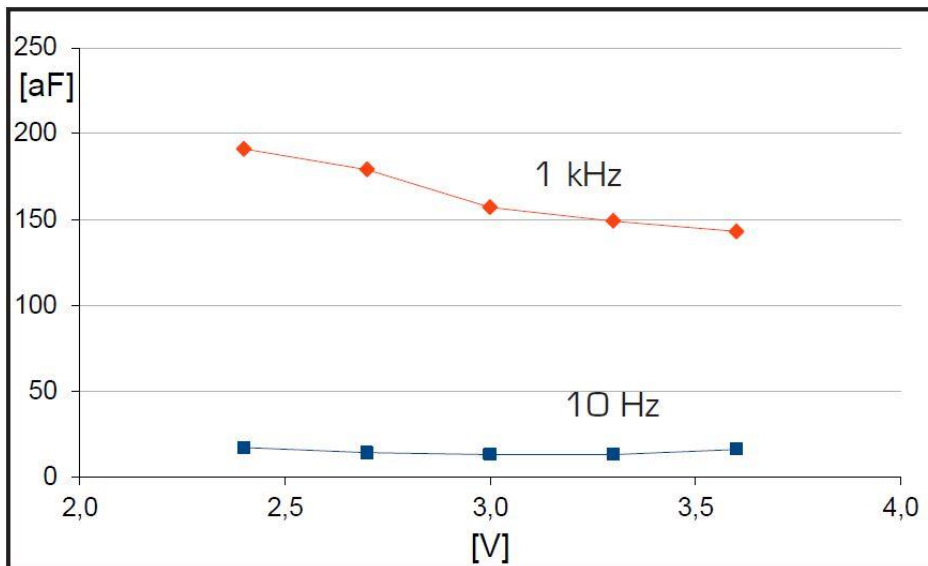
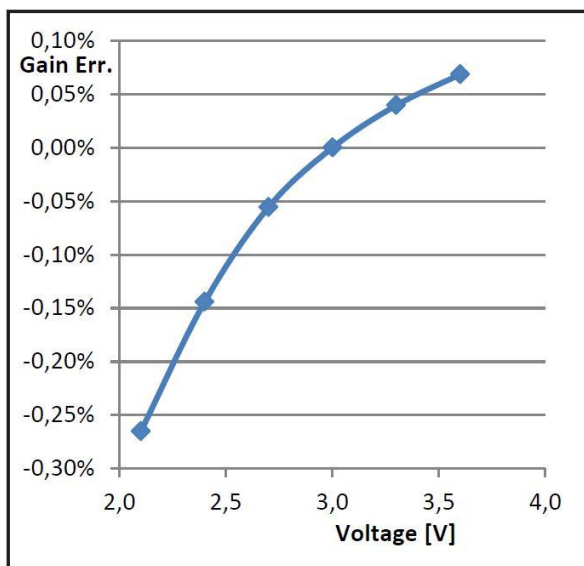


Figure 2-4 RMS Noise vs. Supply Voltage

RMS Noise expressed in aF as a function of VDD power supply voltage.

The upper curve is for 1 kHz output data rate, the lower curve for 10 Hz.

Data acquired like before with 10 pF ceramic COG capacitors connected “floating” in place of reference and sensor. The excitation capacitor was a 1 pF ceramics COG type.



2.2.3 Voltage-Dependent Offset and Gain Error (PSRR)

Data acquired like before with 100 pF ceramic COG capacitors connected “floating” in place of reference and sensor. The excitation capacitor was a 10 pF ceramics COG type.

The gain drift is the principal contribution to the error; offset drift is negligible. No

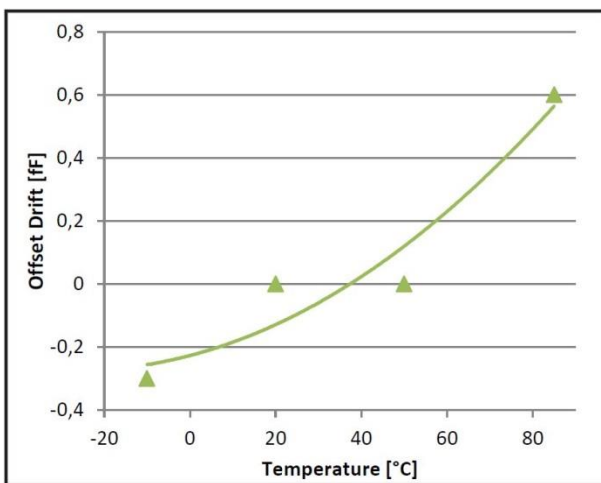
dependency on update rate has been detected.

Figure 2-5 Gain Error in % vs. Supply Voltage (Power Supply Rejection Ratio)

At present, power-supply rejection ratio is poor, so the component needs well-filtered, stable supply voltages. Linear regulators will be indicated in most cases. The data presented here have been acquired in such conditions.

Any switching regulator in the supply line must be separated from the chip through a linear voltage regulator, combined with some purposefully designed RC filter. Any drift and noise in the supply line add error and noise to the output.

2.2.4 Temperature-Dependent Offset and Gain Error

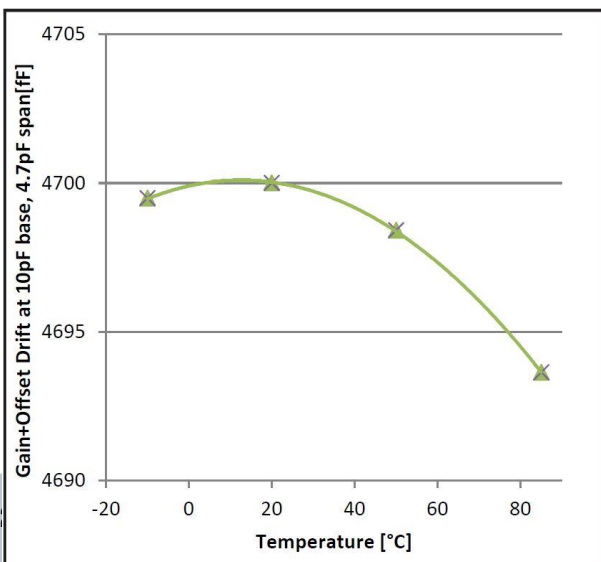


Offset drift as a function of temperature at 3.0V supply voltage VDD. 10 pF base capacitance, both sensor and reference, a COG ceramics capacitor each, connected “floating”.

Offset Drift:

3.0 V: 9.5 aF/K

Figure 2-6 Offset Drift vs. Temperature



Gain drift as a function of temperature at 3.0V supply voltage VDD. 10 pF base capacitance, both sensor and reference, plus 4.7 pF span, with COG ceramics capacitors each, connected “floating”.

Offset Drift:

3.0 V: 13 ppm/K

Figure 2-7 Gain Drift vs. Temperature

2.3 Internal RC-Oscillator

The integrated RC-Oscillator can be set in the range between 10 kHz and 200 kHz, in which 50 kHz is the standard setting (see Register 1 description). The nominal frequency e.g. 50 kHz has a standard deviation of +/-20 % over parts. More than that, the internal oscillator is dependent on voltage and temperature.

For details of how to set RC oscillator by OLF_FTUNE see register 1 description (Chapter 5).

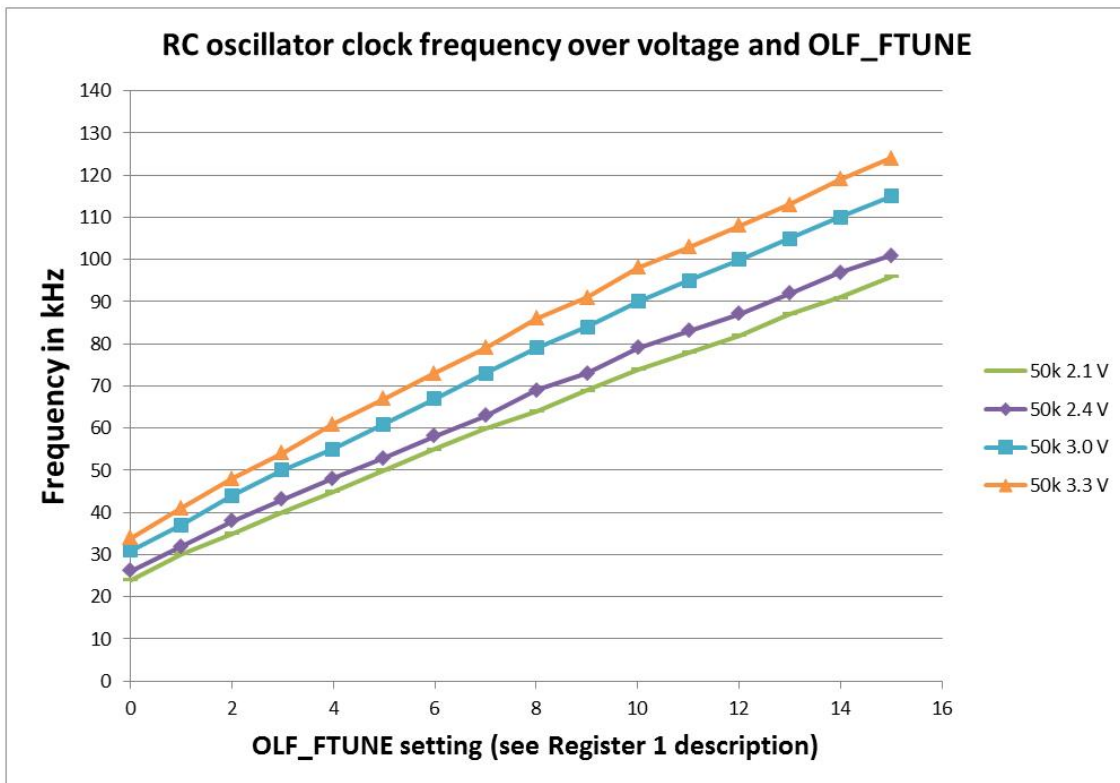


Figure 2-8: RC oscillator frequency dependence on voltage and OLF_FTUNE setting

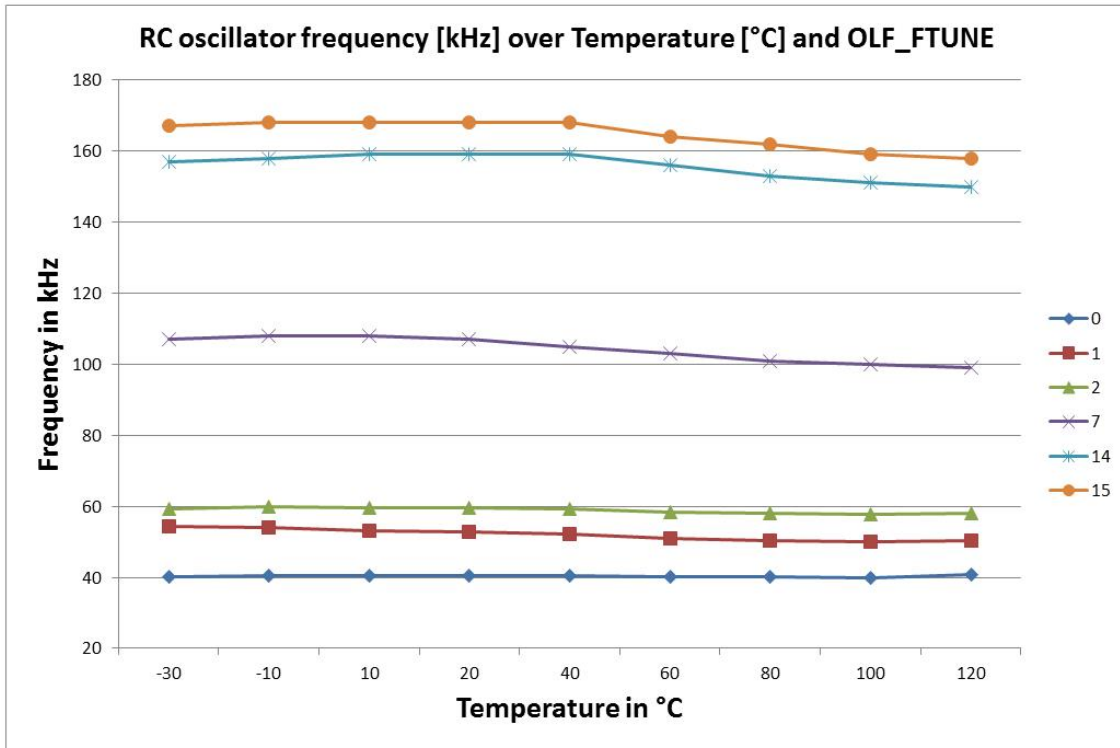


Figure 2-9: RC oscillator frequency dependence on temperature and OLF_FTUNE setting 0-15

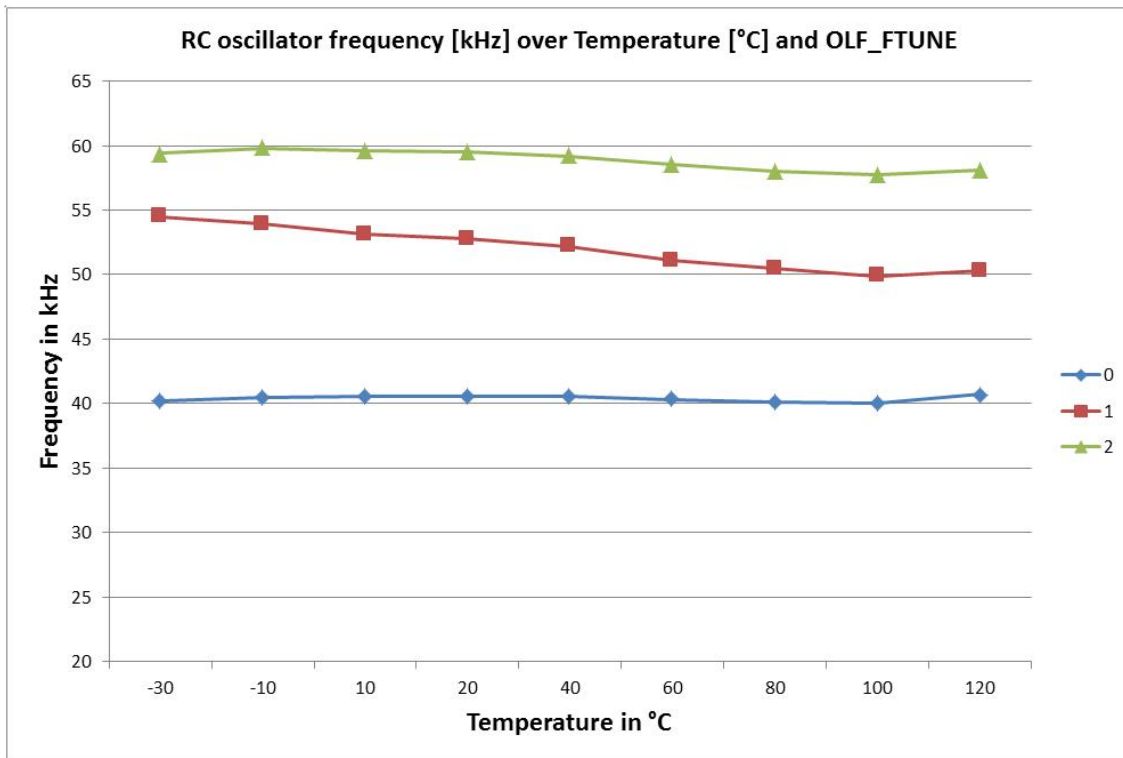


Figure 2-10: RC oscillator frequency dependence on temperature and OLF_FTUNE setting 0-2

2.4 RDC Precision

Thermoresistive Coefficients T_k at 20 °C

Material	T_k
Internal polysilicon reference	-1.1 ppm/K
Internal aluminum thermistor	2830 ppm/K
External PT1000 sensor	3830 ppm/K

Resolution with internal Al/PolySi at 20 °C

Measurement Conditions	R2/Rref typ.	RMS noise R2/Rref	Typical RMS noise Temperature(*)
No averaging, 2 fake measurements	0.825	50 ppm	25 mK
16-fold averaging, 8 fake measurements	0.823	10 ppm	5 mK

[*] after linearization in post-processing software

Typical Error with internal Al-thermometer after linearization and conversion into temperature, assuming a linear relation between temperature and resistivity:

-20 °C < Temp. < 0 °C 290 mK

0 °C < Temp. < 80 °C 110 mK

2.5 Power Consumption

Table 2-5 Total Current I [μ A] as a function of speed (SEQTIME) and resolution (C_AVRG) in Triggered Mode

SEQTIME (data rate [Hz])		I [μ A]								
		C_AVRG (RMS resolution [Bits])								
		1	4	16	64	128	256	512	1024	2048
		(11.3)	(12.3)	(13.4)	(14.4)	(14.9)	(15.4)	(15.9)	(16.4)	(16.9)
13	(3.1)	4	4	4	5	10	10	55	80	150
12	(6.1)	4	5	7	10	20	35	80	150	
11	(12.2)	5	6	9	22	40	80	160		
10	(24.4)	6	8	15	44	82	160			
9	(48.8)	8	12	27	85	160				
8	(97.7)	12	20	49	163					
7	(195.0)	20	35	93						
6	(391.0)	36	65	178						
5	(781.0)	67	124							
4	(1560.0)	127	236							
3	(3120.0)	229								
2	(6250.0)	409								

Table 2-6 Total Current I [μ A] as a function of speed (SEQTIME) and resolution (C_AVRG) in Continuous Mode (this mode yields highest possible speed/performance)

	C_AVRG (RMS resolution [Bits])								
	1	4	16	64	128	256	512	1024	2048
	(11.3)	(12.3)	(13.4)	(14.4)	(14.9)	(15.4)	(15.9)	(16.4)	(16.9)
I [μ A]	515	275	204	185	182	181	180	180	179

Temperature measurement in addition to capacitive measurement will add between 2 and 10 μ A approximately, depending on speed. Total consumption values below 30 μ A may be

obtained only when driving the on-chip 1.8 volts core supply generator in an energy-saving mode (see section 5, register 10); ultimate microamp savings with DSP slowed down (see section 5, register 8).

2.6 Package Information

2.6.1 Dice - Pad Layout

Die dimensions: 2.15 mm x 1.67 mm with pad pitch 120 μm , pad opening is 85 μm x 85 μm

Die thickness: 380 μm

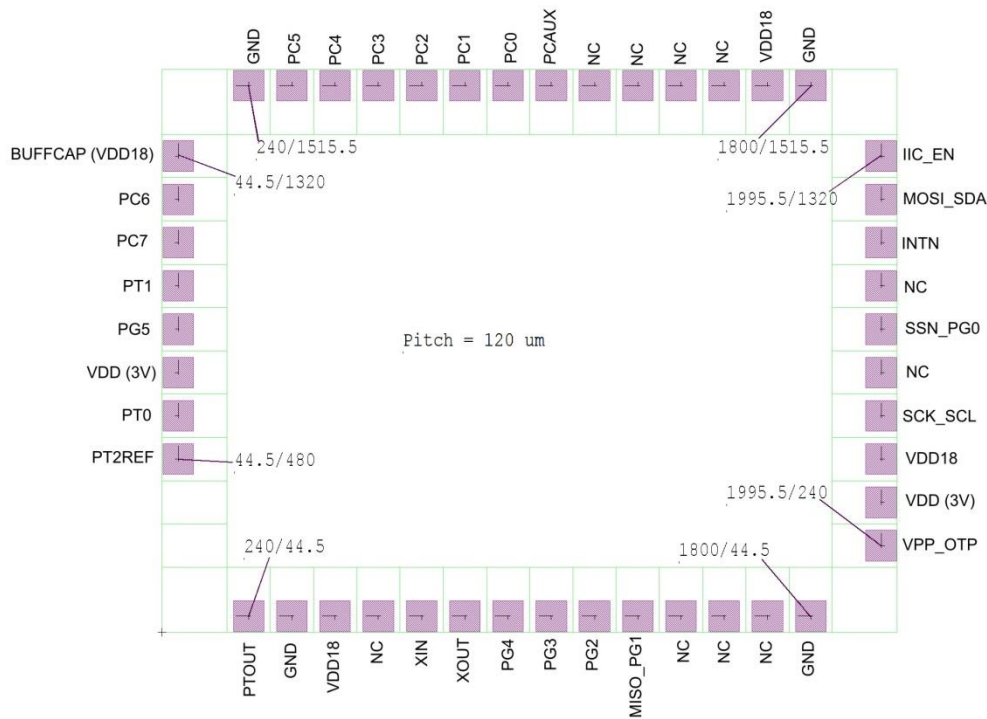


Figure 2-11: Pad Layout

2.6.2 QFN Packages

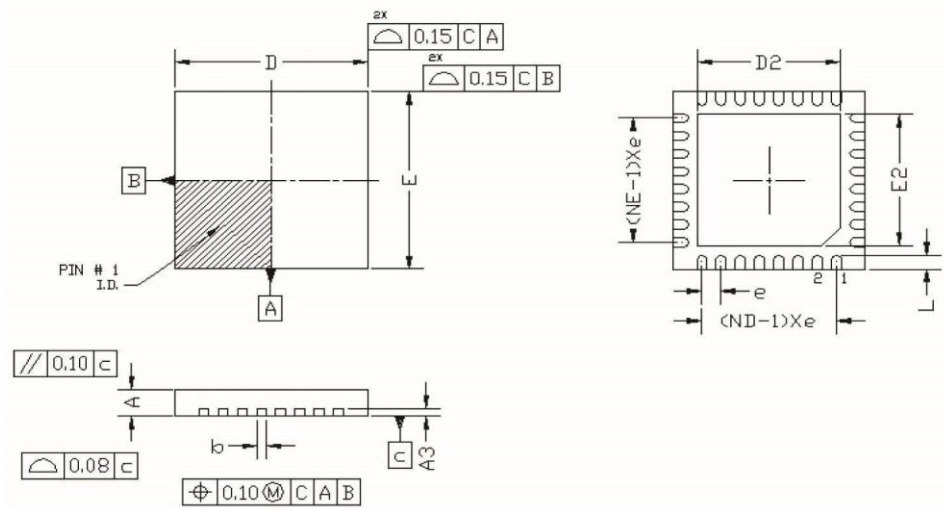


Figure 2-12: QFN package dimensions

Table 2-7: QFN Dimensions

		Dimensions in mm							
Device Name	Package	D, E	D2, E2	N	e	L	b	A	A3
PCap01-AD	QFN32	5.00	3.70	8	0.5	0.4	0.25	0.75/0.9	0.20
PCap01-AK	QFN24	4.00	2.70	6	0.5	0.35	0.25	0.75/0.9	0.20

Dimensioning and tolerances acc. to ASME Y14.5M-1994

2.6.4 Pin/Pad Assignment

Pin	Description	Com- ment	Pin Number	
			-AD	-AK
BUFFCAP	Connect microfarad bypass capacitance and nanofarad bypass capacitance to GND. Bridge all BUFFCAP pins. Bypassing is mandatory!	Need to be connected in any case	1	1
			10	
			25	8
GND	Ground		17	13
IIC_EN	Put this to LOW or GND for use of SPI bus. Put it to HIGH or VDD otherwise.		24	18
INTN	Optional. Interrupt line, low active	Leave unconnected if not used	22	
MISO_PG1	Serial interface data line, Master In - Slave Out (SPI only, otherwise available as general-purpose port)		16	12
MOSI_SDA	Serial interface data line, Master Out - Slave In		23	17
OXIN	May be left open. Very exceptionally used for connecting a 4 to 20 MHz ceramics resonator or quartz.		11	
OXOUT			12	
PC0	"CDC" or capacitive measurement ports. Connect reference and sensors here, beginning with PCØ for the reference.	Leave unconnected if not used	27	19
PC1			28	20
PC2			29	21
PC3			30	22
PC4			31	23
PC5			32	24
PC6			2	
PC7			3	
PCAUX	May be used for external discharge resistor.		26	
PG2	General purpose I/O ports. PG4 and PG5 are output only, others are configurable input or output.	Leave unconnected if not used	15	11
PG3			14	10
PG4			13	9
PG5			5	3

PT0	"RDC" or temperature measurement ports. Connect one side of the external resistive sensors here.		7	5
PT1			4	2
PT2REF	When there is an external resistive (temperature measurement) reference, connect it here, otherwise this is the place for a third resistive sensor.		8	6
PTOUT	For temperature measurement, connect the other side of the resistive sensors and a 33 nF ceramics capacitor here.		9	7
SCK_SCL	Serial interface clock line		20	15
SSN_PG0	SPI interface chip select line, low active. Alternatively general purpose I/O port.		21	16
VDD	VDD here, plus bypass capacitance to GND. Bypassing is mandatory!		6 19	4
VPP_OTP	Set to 6.5 V during OTP programming. Set back to GND rapidly after the end of the programming process. Keep pin grounded for normal device operation. Apply a 470 kOhm pull-down resistor to this pin.	Connect to GND	18	14
GND ground pad	The ground pad, bottom located, is internally connected to ground. Parallel external grounding is not necessary		-	-

3 Converter Frontend

3.1	CDC Measuring Principle	3-2
3.2	Important CDC Parameters	3-2
3.3	CDC External Circuitry	3-4
3.4	Connecting the Capacitive Sensors	3-5
3.5	Selecting the Discharge Resistor.....	3-6
3.6	Compensation Measurement	3-7
3.7	RDC Temperature Measurement.....	3-9

3.1 CDC Measuring Principle

The device uses “discharge time measurement” as a principle for measuring either capacitance (the CDC unit) or resistivity (the RDC unit). It addresses all ports (PC...,PT...) in time multiplex.

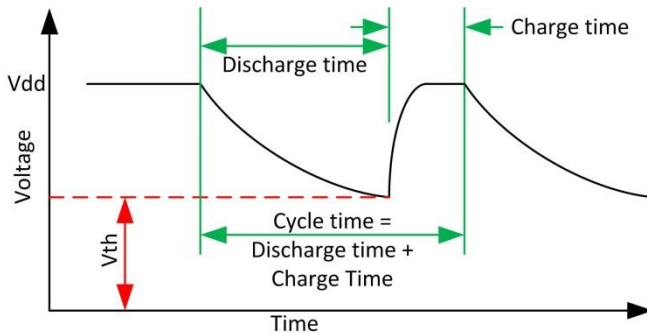


Figure 3-1 Cycle Time

3.2 Important CDC Parameters

An important notion is “cycle time”, the period of one elementary discharge-and-recharge cycle, see figure 3-1.

The discharge time is given by the capacitors and the discharge resistor. The cycle time is the time interval between two discharge time measurements and is set by the user. The relevant parameter is CMEAS_CYTIME in register 4. The user has to take care that the charge time and therefore the cycle time is long enough. As default we recommend to have the cycle time > 2 x discharge time. Otherwise, the capacitors do not get charged sufficiently. Further, if the cycle time is less than the discharge time the CDC will show a time-out.

Measurement results are deduced as follows; discharge time ratios equal sensor-to-reference values:

$$\frac{\tau_N}{\tau_{ref}} = \frac{C_N}{C_{ref}}$$

This equation holds for the CDC, and is similar for the RDC.

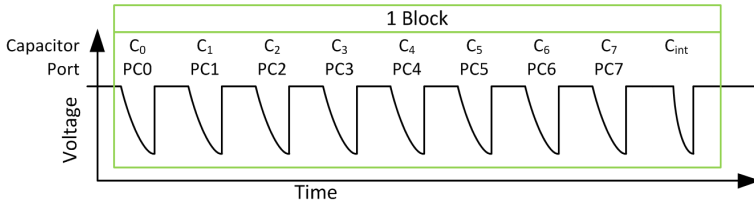


Figure 3-2 Charging-/ discharging cycles grounded, compensated, single or differential sensors

Figure 3-2 shows a CDC example with 7 single / 3 differential grounded sensors plus one reference. One measurement block is made of a discharge time measurement for each capacitor and an additional one for measuring the internal stray capacitances and comparator delay (internal compensation). Figures 3-2 and 3-3 have symbolic meaning only, explaining the principle. No realistic scope shots.

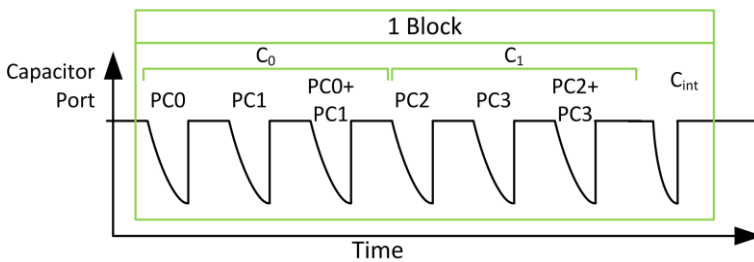
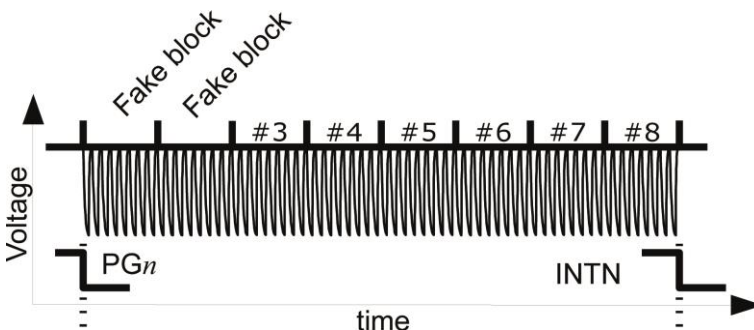


Figure 3-3 Charging-/ discharging cycles floating, compensated, single and differential sensors

Figure 3-3 shows a CDC example with one floating single sensor plus reference / one floating differential sensor. One measurement block is made of 3 discharge time measurements for each capacitor, including the external compensation measurement, and an additional one for measuring the internal stray capacitances and comparator delay. See section 3.6 for further details on the compensation.

Measurement rate or “output data rate” is inversely proportional to the cycle time and to the sum of “fake block number” and “averaging sample size”. If neither fake blocks nor on-chip averaging are requested, results will be updated after every “block”.



Note: Bypass capacitors should be ceramics type. Low noise operation is conditioned by a good bypassing. Place bypass close to the pins.

3.4 Connecting the Capacitive Sensors

The capacitive-sensor part of the schematic:

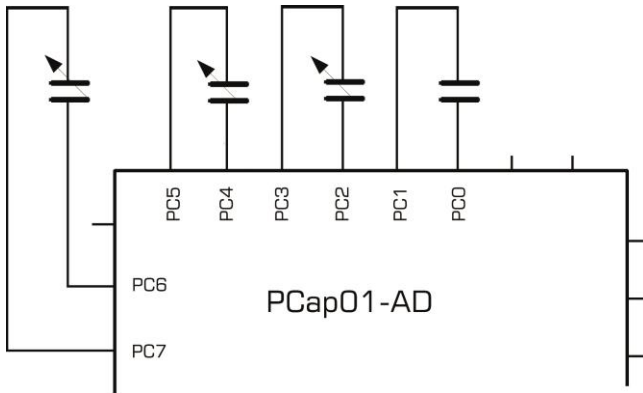


Figure 3-6: Single sensors, floating, up to 3 sensors (C1 to C3) and one reference (C0)

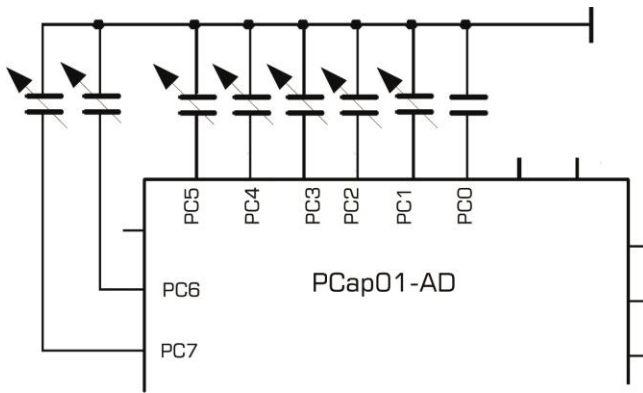


Figure 3-7: Single sensors, grounded, up to 7 sensors and one reference

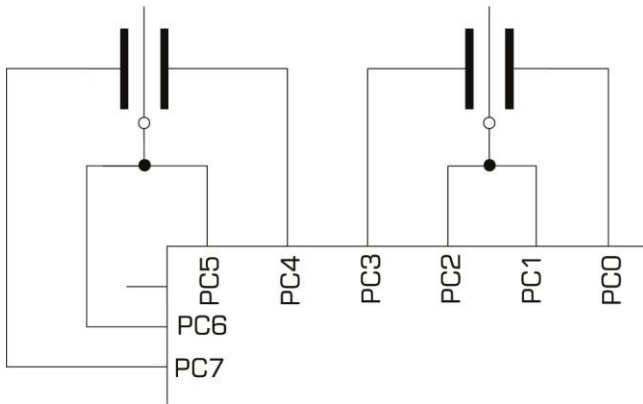


Figure 3-8: Differential sensors, floating

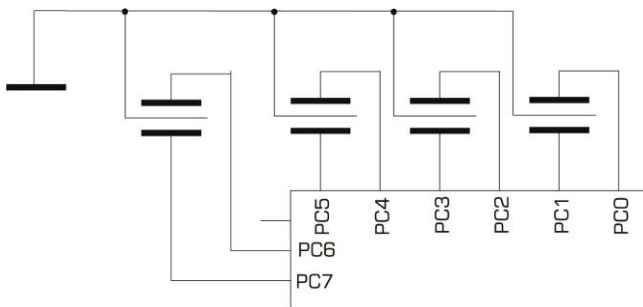


Figure 3-9: Differential sensors, grounded.

3.5 Selecting the Discharge Resistor

The measurement is based on controlled discharging; within the CDC part, four selectable discharge resistivities down to 10 kOhms in size are available (see figure 3-10). They are useful for base capacitances from zero up to approx. 3.5 nF. Not described in this short manual is the possibility of extending the measuring range to even higher capacitance values by connecting a small resistivity outside the chip.

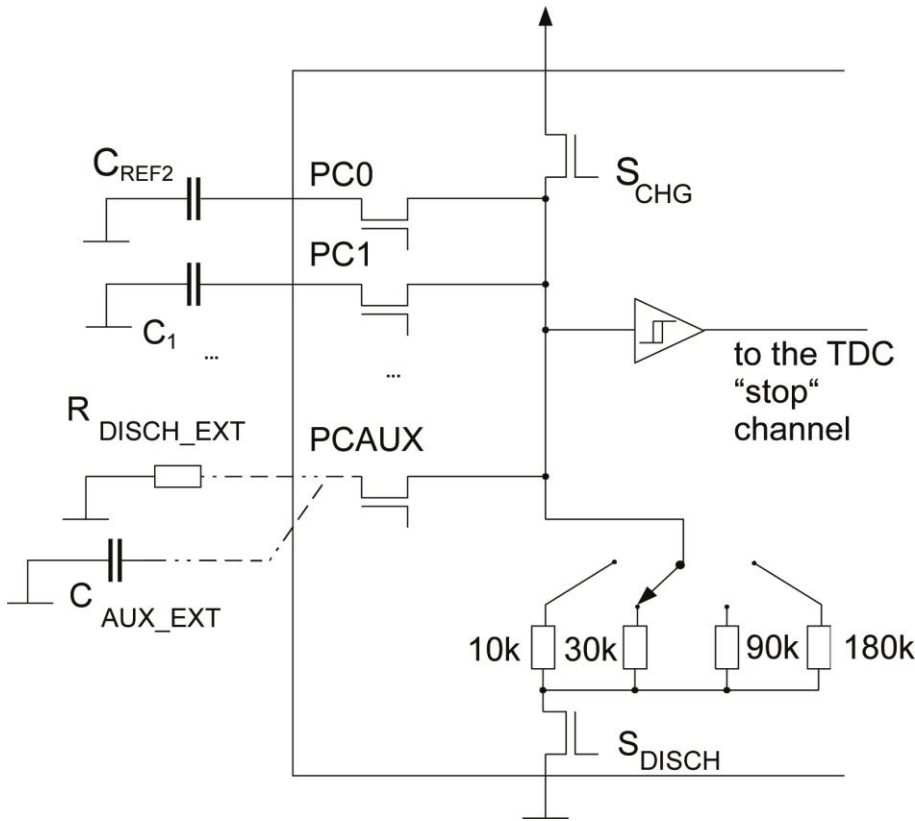


Figure 3-10: CDC Dimensioning

3.6 Compensation Measurement

With grounded capacitors the PCap01 offers the possibility to compensate for internal parasitic capacitances and, having the same effect, the propagation delay of the comparator. ACAM patents pending.

With floating capacitors we have the additional option to compensate external parasitic capacitances against ground. On the PCB, the wire capacitance typically refers to ground. For long wires, it is recommended to use shields which should be grounded at their PCB side.

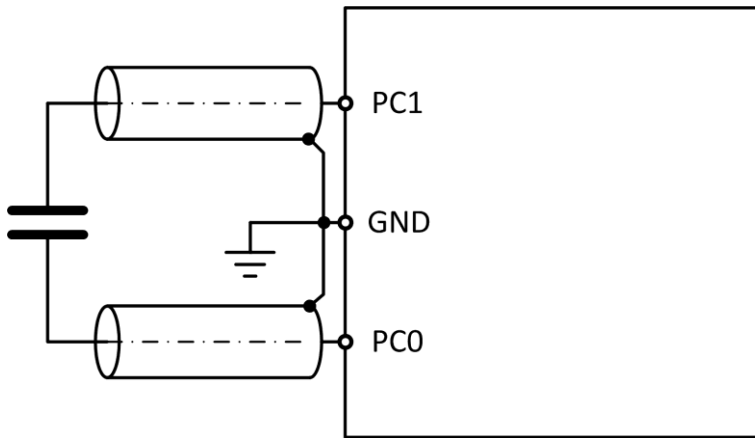


Figure 3-11 shows how shielded cables should be connected for compensation of the external parasitic capacitances.

Three measurements are necessary for each capacitor in case of floating sensors; this is shown in figure 3-12

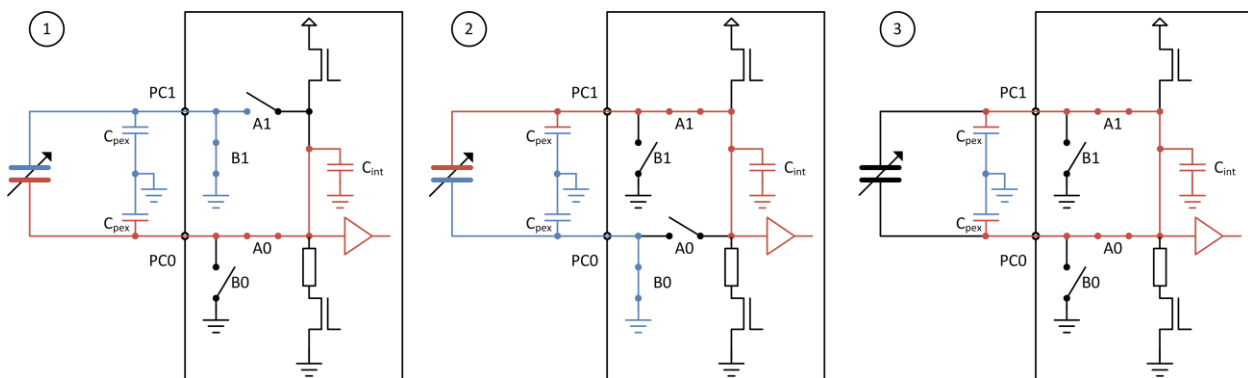


Figure 3-12 Floating capacitors, external compensation measurements, the three measurements that are made for each floating capacitor.

For the internal compensation measurement, both switches A1 and A0 are open. Only the internal parasitic capacitance and the comparator propagation delay will thus be measured.

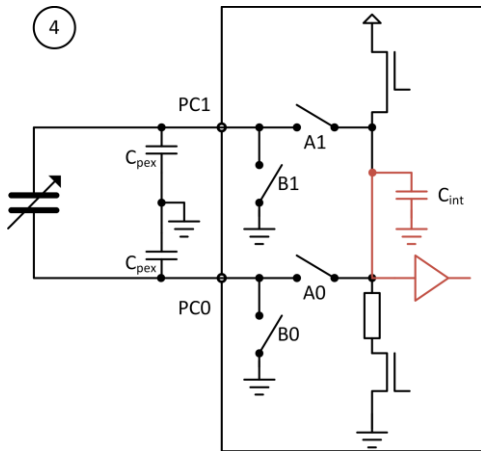


Figure 3-13 Grounded/floating capacitors, internal compensation measurement

3.7 RDC Temperature Measurement

The chip device has two on-chip resistor elements for the measurement of temperature, an aluminum strip with $TK \approx 2800$ ppm/K as a sensor and a polysilicon resistor with TK “close to zero” as a reference.

As an alternative, it is possible to connect the temperature sensor and reference resistor externally. (In general the chip may support two external sensors, but this option is not supported by O3.01 firmware).

In any case, it is mandatory to connect an external 33 nF capacitor, because the temperature measurement, too, is discharge time based. For the capacitor, COG ceramics yields best performance, whilst X7R material yields fair results.

In principle, external and internal thermometers/reference may be mixed, e.g. an external PT1000 may be compared to the internal Poly-Si resistor.

The selection between internal and external resistors is done by TMEAS_7BITS in register 6:

A) External solution

Configuration:

Register 4 = 'h XX XX 01 (CMEAS triggered)

Register 5 = 'h CX XX XX

Register 6 = 'h 00 0C 40 (external resistors)

Output data:

Ratio PT1000/Rref as RO/Rref in read register Res10 (address 13).

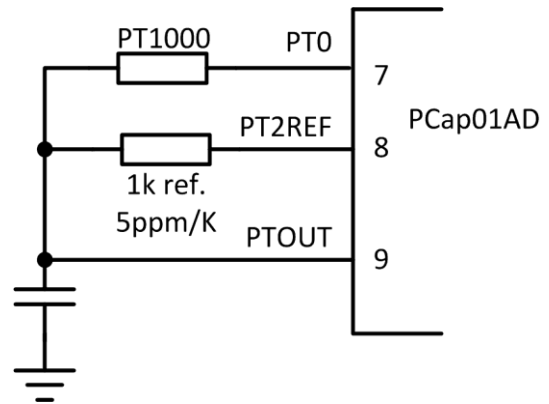


Figure 3-14
RDC with external resistors

Firmware Related

B) Completely internal solution

Configuration:

Register 4 = 'h XX XX 01 (CMEAS triggered)

Register 5 = 'h CX XX XX

Register 6 = 'h 00 43 40 (external resistors)

Output data:

Ratio R[Al]/R[Si_poly] as R2/Rref in read register Res11 (address 14).

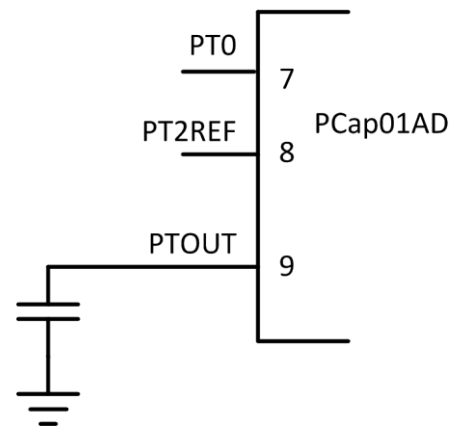


Figure 3-15
RDC with internal resistors

Firmware Related

There are various trigger sources for the temperature measurement, set in register 4 by parameter TMEAS_TRIG_SEL. We strongly recommend to use TMEAS_TRIG_SEL = 1, trigger by capacitance measurement. With this setting, the temperature measurement follows directly each Nth capacitance measurement, where N is set by parameter TMEAS_TRIG_PREDIV in register 5. With TMEAS_TRIG_PREDIV = 0 the temperature measurement is done with each capacitance measurement. With TMEAS_TRIG_SEL = 0 the temperature measurement is triggered by software, sending opcode 'h8E. If no opcode is sent the temperature measurement is switched off.

For low power applications, it is recommended to set the divider TMEAS_TRIG_PREDIV to such a value that the temperature measurement is done maximum 10 times per second.

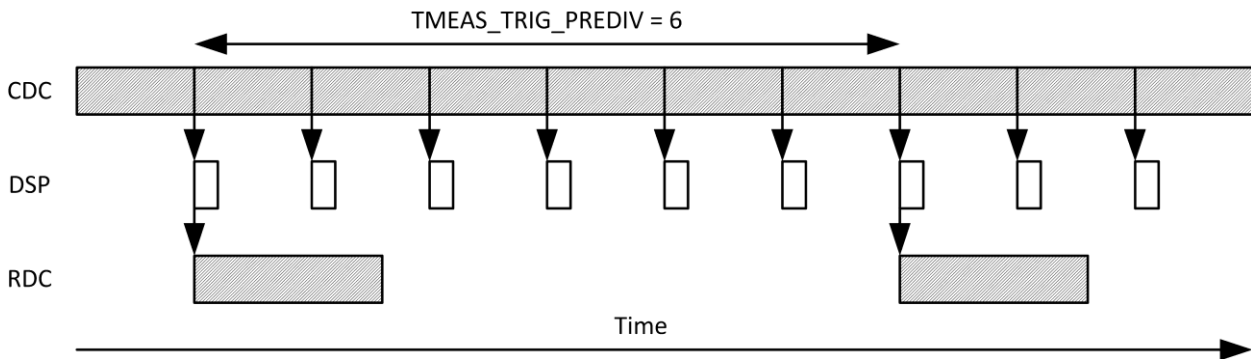


Figure 3-16 Temperature Measurement triggered by Capacitance Measurement (continuous mode)

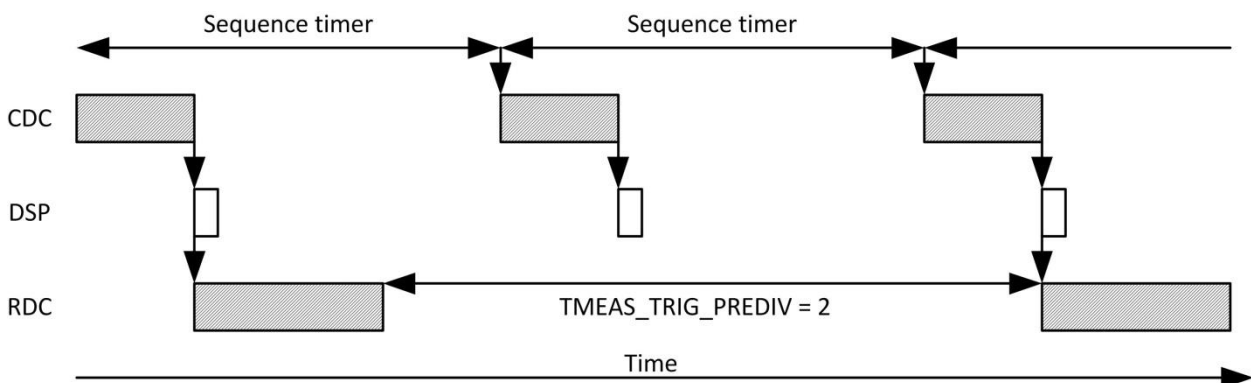


Figure 3-17 Temperature Measurement triggered by Capacitance Measurement (Sequence timer triggered)

Be aware that the resistivity measurement is based on an AC, not a DC, method. So, cable between sensor and chip may contribute shift and noise through its inductance and capacitance. Twisted shielded cable may be a good choice, in some cases an active shield may help.

Issue a start command (op code 0x8C) and begin polling data or watching INTN. See sections 5.3, 6.5.3 and 6.5.4 for details. What you read is RO/Rref or R2/Rref, a ratio between two resistivities.

External or internal sensors — you will need to calibrate either solution in a climate chamber.

4 Interfaces (Serial And Pulse-Density)

4.1	Serial Interfaces.....	4-2
4.1.1	Op codes	4-2
4.1.2	I ² C Compatible Interface	4-3
4.1.3	The 4-wire, SPI interface.....	4-5
4.2	PDM/PWM and GPIO	4-7

4.1 Serial Interfaces

For operation with a micro-controller, and also for programming the device, two serial interfaces are available. Only one interface is available at a time, selected through the voltage applied to the pin “IIC_EN”. Both interfaces are limited to “slave” rank, and both permit programming:

Pin IIC_EN is connected to GROUND	The 4-wire SPI interface is active. General-purpose I/O pins PG0 and PG1 are not available (occupied by SPI).
Pin IIC_EN is connected to VDD	The 2-wire I2C interface is active and all general-pur-pose I/O pins are available, including PG0 and PG1.

Remarks: The general-purpose I/O pins PG2 through PG5 are available in either case. If no controller interface is needed, put IIC_EN to VDD, not to ground. You must not leave this pin open.

Once programmed, the device can operate stand-alone. As both interfaces are limited to slave rank, stand-alone operation with data transfer to an ancillary device (e.g. an LCD converter or a D/A converter) will necessitate software implementation of a serial protocol (contact ACAM for details).

4.1.1 Op codes

Table 4-1: 8-Bit Op Code Commands

'h88	Power-up reset. This command resets everything.
'h8A	“Initial” or “partial” reset, leaves the SRAM contents and registers unchanged. Resets important parts of the device like the front-end and DSP
'h8C	Start a capacitance measurement sequence
'h84	Terminate the write-to-OTP process
'h8E	Start temperature measurement

Table 4-2: 24-Bit Op Code Commands

Command	Byte 2				Byte 1	Byte 0
Write to SRAM	1	0	0	1	Address<11...0>	Data<7...0>
Read SRAM	0	0	0	1	Address<11...0>	Data<7...0>
Write to OTP	1	0	1		Address<12...0>	Data<7...0>
Read OTP	0	0	1		Address<12...0>	Data<7...0>

Table 4-3: 32-Bit Op Code Commands

Command	Byte 3			Byte 2	Byte 1	Byte 0
Write Config	1	1		Cf_Address<5...0>	Registry Parameter<23...0>	
Read Results	0	1		Rs_Address<5...0>	Measurement Results<23...0> or Measurement Results<47...24>	

For Cf_Address, see section 5.1 below, and for Rs_Address, section 5.3 below.

4.1.2 I²C Compatible Interface

The present paragraph outlines the PCap01 device specific use of the I²C interface. For a general description of ACAM's subset of the I²C interface see the dedicated data sheet. See also the PCap01 bug report at the end of the present sheet.

The external master (PCap cannot be master) begins the communication by sending a start condition, falling edge on the SDA line while SCL is HIGH. It stops the communication by a stop condition, a rising edge on the SDA line while SCK is high. Data bits are transferred with the rising edge of SCK.

On I²C buses, every slave holds an individual 7-bit device address, The address always has to be sent as the first byte after the start condition, the last bit indicating the direction of the following data transfer.

Address byte:

MSB							LSB
-----	--	--	--	--	--	--	-----

1	0	1	0	0	A1	A0	R/W
fixed					variable		

Default address: A1 = A0 = 0

The address byte is followed by the opcode and eventually the payload. Each byte is followed by an acknowledge bit (= 0). PCap01 has 8-bit, 24-bit and 32-bit opcodes, listed in tables 4-1 to 4-3.

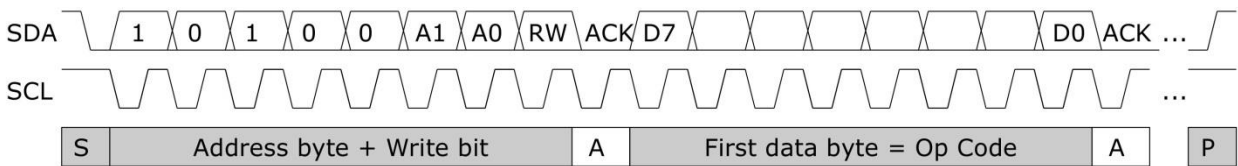


Figure 4-1: I²C principle sequence

I²C Write

During write transactions, the master alone sends data, the addressed slave just sends the acknowledge bits. The master first sends the slave address plus the write bit. Then it sends the PCap specific opcode including the register address in the slave. Finally it sends the payload (“Data”).

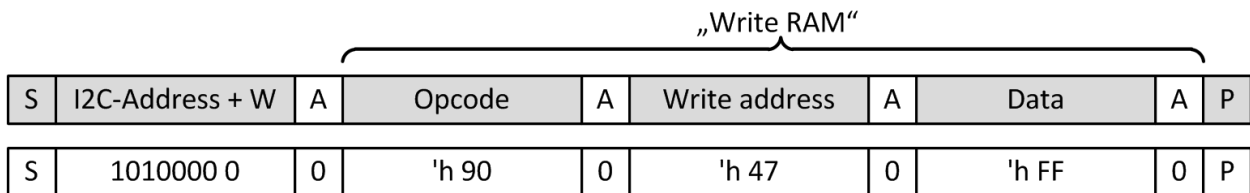


Figure 4-2 I²C Write, an example

I²C Read

During read transactions, the direction of communication has to be commuted. Therefore, the master sends again a start condition plus the slave address plus the **read bit** (instead of the write bit) to switch into read mode. Figure 4-3 shows an example with opcode “read

RAM". The master sets a Not-Acknowledge (1) to indicate "end read", "stop sending" to the slave.

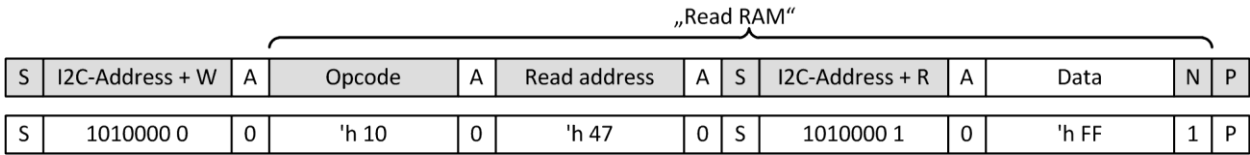


Figure 4-3: I²C Read

4.1.3 The 4-wire, SPI interface

Clock Polarity, Clock Phase and Bit Order. The following choices are necessary for successful operation.

Table 4-4: SPI Clock Polarity, Clock Phase and Bit Order

SPI - Parameter	Description	Setting
CPOL	Clock polarity	0
CPHA	Clock phase	1
Mode	SPI Mode	1
DORD	Bit sequence order	0, MSB first

Timing conditions:

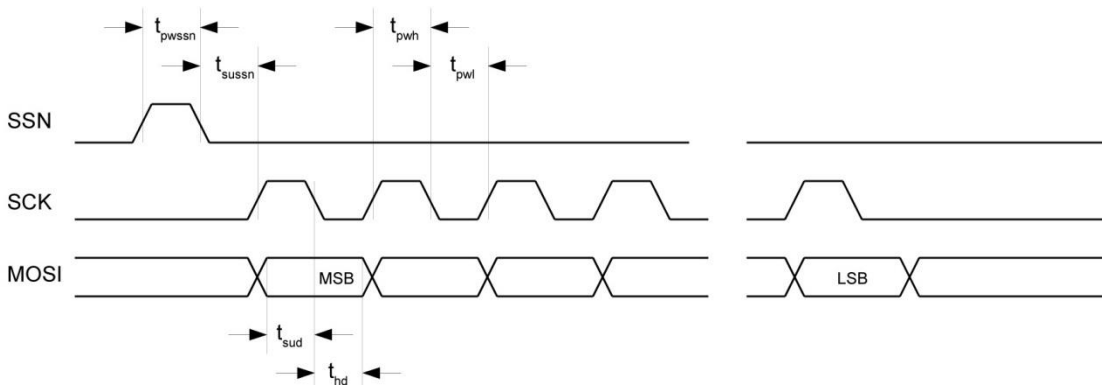


Figure 4-4: SPI Write

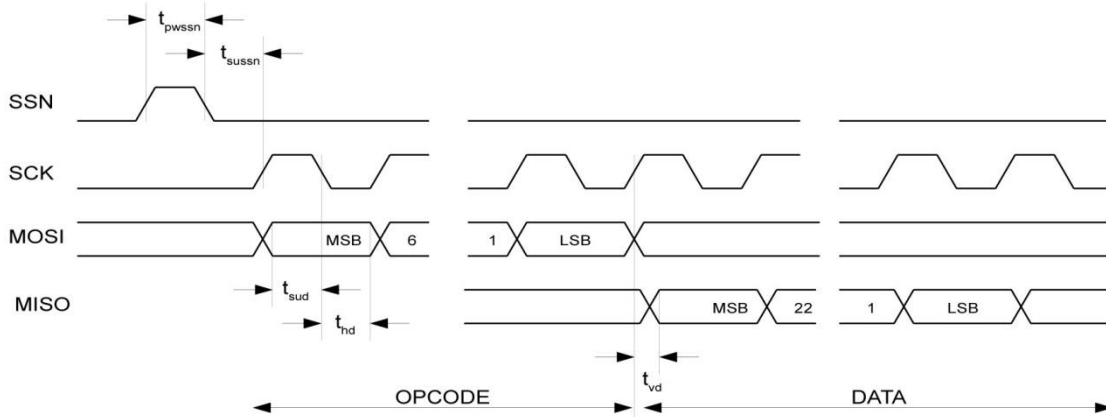


Figure 4-5: SPI Read

Table 4-5: SPI timing parameters

Name	Symbol	VDD=2.2 V	VDD=3.0 V	VDD=3.6 V	Units
Serial clock frequency	fSPI-bus	10	17	20	MHz
Serial clock pulse width HI state	tpwh	50	30	25	ns
Serial clock pulse width LO state	tpwl	50	30	25	ns
SSN enable-to-valid latch	tsussn	10	8	7	ns
SSN pulse width between write cycles	tpwssn	50	30	25	ns
Data setup time prior to clock edge	tsud	7	6	5	ns
Data hold time after clock edge	thd	5	4	3	ns
Data valid after clock edge	tvd	40	26	16	ns

4.2 PDM/PWM and GPIO

Pulse-Density / Pulse Width Code Interfaces and General-Purpose Ports

The following table shows the different general purpose ports and their possible assignment.

Table 4-6: General-Purpose Port Assignment:

External Port Name	Description	Direction in or out
PG0	SSN (in SPI-Mode)	in
	DSPØ or DSP2	in(1) / out
	FF0 or FF2	in(1)
	Pulse0	out
PG1	MISO (in SPI-Mode)	out
	DSP1 or DSP3	in(1) / out
	FF1 or FF3	in(1)
	Pulse1	out
PG2	DSPØ or DSP2	in(1) / out
	FF0 or FF2	in(1)
	Pulse0	out
	INTN	out
PG3	DSP1 or DSP3	in(1) / out
	FF1 or FF3	in(1)
	Pulse1	out
PG4	DSP4 (output only)	out
PG5	DSP5 (output only)	out

[1] These ports provide an optional debouncing filter and an optional pull-up resistor.

There is a possibility to generate pulse width or pulse density code as outputs from the chip, based on the measurement results and using standard firmware (or some other, possibly derived from Standard). Any of the capacitance or temperature measurement results can be used to generate the pulsed output, and the selection is made by setting the pulse1_select (resp. pulseO_select) in register Param2. The pulse codes may be output through general-purpose ports PG0 and PG1 (or two others). Destination ports are to be configured **as output** using the PG_DIR_IN bits in Register 9.

As one can see from above, ports PG0 and PG1 are seemingly not available for pulse output when assigned to the SPI interface. In most cases, though, where pulse outputs are wanted, SPI interface is used for programming only. Hence, after programming, the programmer is removed, pin/pad VPP_OTP is set LOW, and pin/pad IIC_EN is set HIGH. Once this is done, all PG ports are available for general-purpose use and especially PGO, PG1 for the pulses.

The pulse-modulated output signal can be transformed into an analog voltage through a Low Pass filter. The Pulse Width Modulated output needs a low pass filter of higher order, while for Pulse Density Modulated signal a simple LP filter is sufficient. Suggested dimensioning is 220 kOhm / 100 nF, which smoothes the ripple to less than 1 LSB.

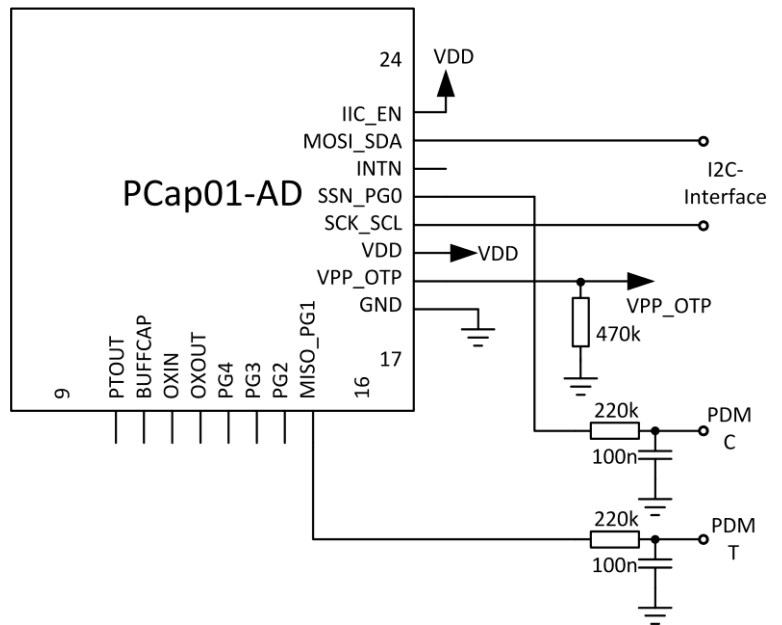


Figure 4-6: PDM Output filtering

For generating the pulsed outputs, the frequency of the carrier clock signal is configurable to either 8 MHz or 1 MHz or 100 kHz. However, for best results, the “OLF_X2” 100 kHz clock is recommended. It can be selected through PI1_CLK_SEL (resp. PIO_CLK_SEL) in Register 9. The resolution of the Pulse interface has to be configured through PI1_RES (resp. PIO_RES) in Register 9. The result of measurement from capacitance or

temperature is a 24-bit value. The DSP linearizes this 24 bit result to a 10 bit value (assuming “10 bit resolution” setting). The parameters Slope (m) and Offset (b) of the linear function are configurable in Registers Param3 to Param5. Both, offset and slope can be set to either positive or negative values. The setting of the slope and offset limits the range of the output signal and hence determines the voltage range of the filtered analog signal. A 10-bit resolution thus limits the result value between 0 and 1023. For lower-bit resolutions, the range reduces accordingly. The following figure depicts how the result is processed to generate the pulsed output.

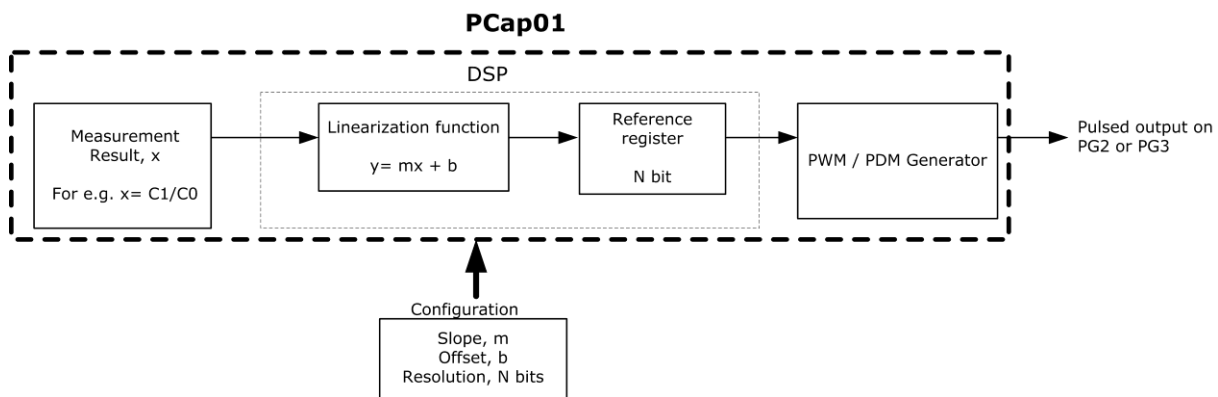


Figure 4-7: Pulse generation

The following figure shows a sample linear function and its parameters graphically. In this graph, the result C1/CO has been taken on the x-axis, assuming that this result is to be pulse modulated. Here the value of m is positive and b is negative. 10 bit resolution has been configured.

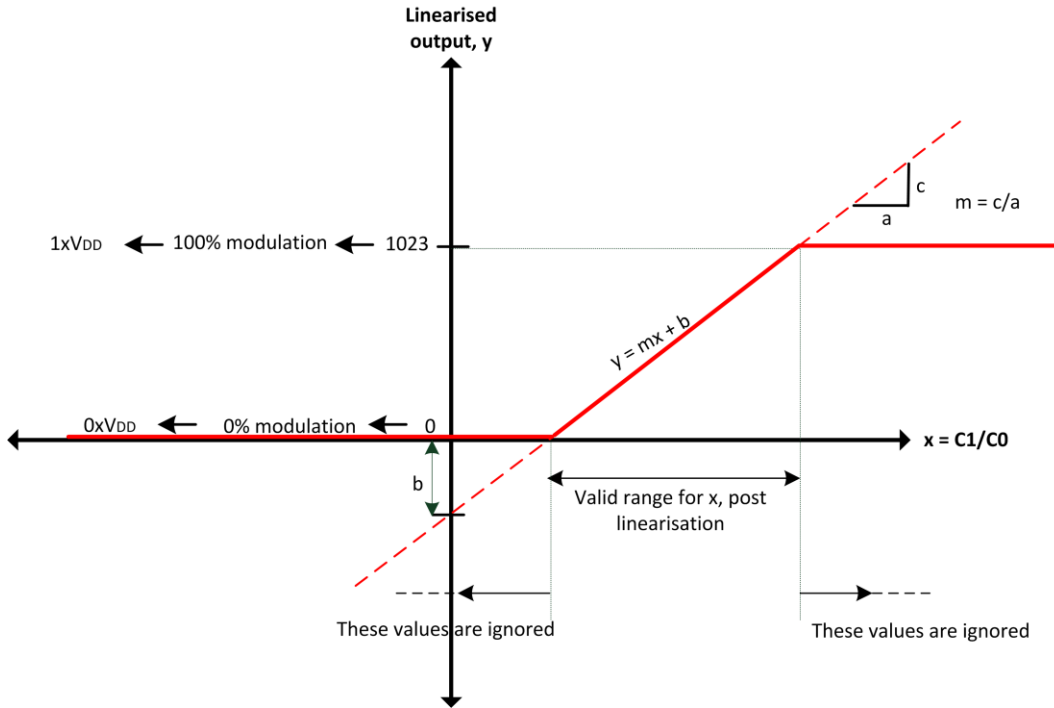


Figure 4-8: PWM-PDM linearization

By setting the value of m and b , the linearization function limits the range of the output x as shown. Values outside these limits are ignored. Thereby knowing the range in which the results might change, the parameters of the linearization function can be fed accordingly. The lower limit of the valid range corresponds to 0% modulation (all bits are 0), this is the least possible value of the output (0). The upper limit of the valid range corresponds to 100% modulation (all bits are 1), and this is the maximum possible value of output. 10 bit resolution implies that this maximum value is 1023. For lower bit resolutions, this maximum value will come down accordingly. In terms of voltage, the two limits correspond to 0V and Vdd.

Applications:

- A typical case would be outputting capacitance result through PGO and temperature result through PG1. Calculation and copying to the output registers must be performed by firmware. See help windows in the dedicated PCapØ1 assembler code editor.
- Useful for applications for which reading the results out through the SPI/ I2C interface is not suitable because of speed limitations or applications requiring an analog output signal.

- A temperature-coded pulse stream could be low-pass filtered and then directly used for temperature control.

Please note that the entire linearization task as described here is performed by firmware, especially the standard firmware.

5 Write & Read Registers

The PCap01Ax-V0301 with the standard firmware 03.01.xx offers 21 configuration and parameter registers and 13 read registers. The configuration registers cannot be read back. So, for communication test use the „Write to SRAM“ & „Read SRAM“ opcodes.

The configuration registers (address 0 through 10) directly set the hardware like CDC, RDC, interfaces, clocks and DSP. The parameter registers (address 11 through 19) set values in the firmware and therefore are firmware specific.

5.1	Configuration & Parameter Registers	5-2
5.2	Explanations to Configuration Registers	5-15
5.2.1	Comments on Register 0	5-15
5.2.2	Comments on Register 2	5-16
5.2.3	Comments on Register 3	5-17
5.2.4	Comments on Registers 3 and 4 (timing rules)	5-17
5.2.5	Comments on Registers 4 and 5	5-18
5.2.6	Comments on Register 6	5-18
5.2.7	Comments on Register 8	5-19
5.2.8	Comments on Register 9	5-20
5.3	Read Registers	5-20

5.1 Configuration & Parameter Registers

Overview:

Address	Name	Description	Target
0	Register 0	OTP settings: MEMCOMP, ECC_MODE, AUTOBOOT_DIS, MEM_LOCK_DIS	Hardware
1	Register 1	Fixed default	Hardware
2	Register 2	C-measurement settings: CMESS_PORT_EN, CMEAS_BITS, RDCHG_INT_SEL	Hardware
3	Register 3	C-measurement settings: CY_CLK_SEL, SEQ_TIME, CMEAS_FAKE, C_AVRG	Hardware
4	Register 4	C/T-measurement settings: CMEAS_STARTPIN, CMEAS_TRIG_SEL, CMEAS_CYTIME, TMEAS_CYTIME, TMEAS_STARTPIN, TMEAS_TRIG_SEL	Hardware
5	Register 5	T-measurement settings: T_AVRG, TMEAS_TRIG_PREDIV	Hardware
6	Register 6	T-measurement settings: TMEAS_FAKE, TMEAS_7BITS	Hardware
7	Register 7	Fixed default	Hardware
8	Register 8	DSP configuration : DSP_SRAM_SEL, DSP_START, DSPSTARTONOV, DSP_STARTONTEMP, DSP_STARTPIN, DSP_FF_IN, DSP_WATCHDOG_LENGTH, DSP_MOFLO_EN, DSP_SPEED, INT2PG2	Hardware
9	Register 9	GPIO settings: PG_DIR_IN, PG_PULL_UP, PI_EN, PI1_CLK_SEL, PI0_CLK_SEL, PI1_RES, PI0_RES	Hardware
10	Register 10	Control of internal 1.8 V regulator	Hardware
11	Param0	Not used	Firmware
12	Param1	Not used	Firmware
13	Param2	Pulsed output setting: pulse_select	Firmware
14	Param3	Pulsed output setting: pulse0_slope	Firmware
15	Param4	Pulsed output setting: pulse0_offset	Firmware
16	Param5	Pulsed output setting: pulse1_slope	Firmware
17	Param6	Pulsed output setting: pulse1_offset	Firmware
18	Param7	C-measurement setting: differential	Firmware
19	Param8	Gain_Corr	Firmware
20	Register 20	RUNBIT	Hardware

Firmware Related

Register Description in Detail:

Bit number →	15	14	13	12	11	10	9	8	7	6	5	4	3	2	1	0
parameter →	param1															
Recommended value →							1	1	0	0	1	0	1	0	1	0

Register 0 (address 0):

23	22	21	20	19	18	17	16	15	14	13	12	11	10	9	8	7	6	5	4	3	2	1	0
								ECC_MODE						AUTOBOOT_DIS			MEM_LOCK_DIS						
0	1	0	0			1	0																

MEMCOMP

Parameter	Description	Settings
MEMCOMP	Bits 18 and 19 control the SRAM-to-OTP-comparison mechanism.	0 = disable 1 = 5 Byte 2 = 33 Byte 3 = 257 Byte
ECC_MODE	OTP-internal error detection and repair mechanism.	0x00 = Disabled („single“); limit=4032 Byte 0x0F = „Double“ mode; limit=4032 Byte 0xF0 = „Quad“ mode; limit=1984 Byte
AUTOBOOT_DIS	Automatic self boot from OTP	0x0 = stand-alone operation and the device then boots automatically from OTP. 0xF = slave operation and the device is interface booted.
MEM_LOCK_DIS		0x0 = activating the memory read-out blocker, which helps preventing the firmware from being read and thus protects your intellectual property. 0xF = Readout remains un-blocked

BYTE 0 (bits 7...0) cannot be written directly through the interface, but can only be copied from the OTP. This is part of the memory-secrecy mechanism protecting the OTP against reverse-engineering disassembly attempts.

Register 1 (address 1):

23	22	21	20	19	18	17	16	15	14	13	12	11	10	9	8	7	6	5	4	3	2	1	0
																	LF_CLK_SEL			OLF_FTUNE			
																	OLF_TUNE						
0	0	1	0	0	0	0	0	0	0	0	1	0	0	0	0	0	0	1	0	0	0	1	0

Parameter	Description	Settings
OLF_TUNE	Setting of the internal oscillator frequency	0x35 - 10 kHz 0x22 - 50 kHz 0x13 - 100 kHz 0x04 - 200 kHz Recommended default setting: 0x22 (50 kHz) default

Remark: The internal RC oscillator varies over voltage and temperature, please see Chapter 2.

Register 2 (address 2):

23	22	21	20	19	18	17	16	15	14	13	12	11	10	9	8	7	6	5	4	3	2	1	0
CMEAS_PORT_EN																							
																0	0	0	0	1	0	1	1

CMEAS_DUMMY_EN
 COMPENS_EXT_DIS
 COMPENS_INT_DIS

MEAS_SCHEME
 DCHG_INT_SEL

Parameter	Description	Settings
CMEAS_PORT_EN	CDC port mask	Bit 16 enables port PC0, bit 17 enables PC1 and so forth.
CMEAS_SCHEME	Sensor connecting scheme, see section 3.4 For differential capacitors and only for them, Param7 has to be set, too.	b'00 = grounded single capacitances b'00 = grounded differential caps (same) b'01 = floating single capacitances b'10 = floating differential capacitances
CMEAS_DUMMY_EN	Selection of mirror symmetric charge and discharge for differential capacitors, avoiding mechanical stress	0 = off 1 = activated
COMPENS_EXT_DIS	Turn off compensation measurement for external parasitic capacitances	0 = external compensation activated 1 = external compensation disabled
COMPENS_INT_DIS	Turn off compensation measurement for internal parasitic capacitances	0 = internal compensation activated 1 = internal compensation disabled
RDCHG_INT_SEL	Selection of internal discharge resistor	b'100 = 180 kOhm b'101 = 90 kOhm b'110 = 30 kOhm b'111 = 10 kOhm
STRAYCOMP	Disabling of internal and/or external stray capacitance compensation	00 - Both active 01 - External stray compensation 10 - Internal stray compensation 11 - No compensation active

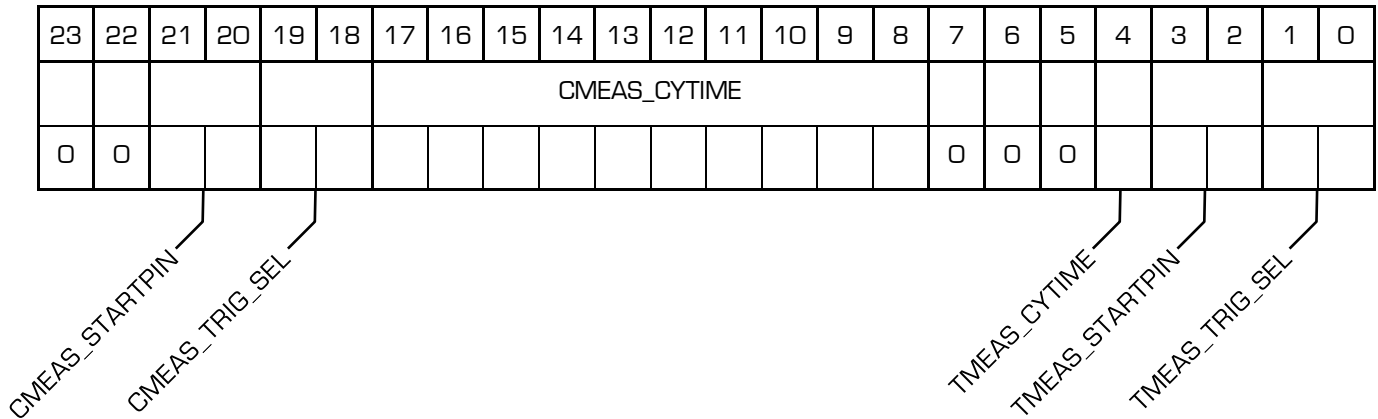
Register 3 (address 3):

23	22	21	20	19	18	17	16	15	14	13	12	11	10	9	8	7	6	5	4	3	2	1	0	
			SEQ_TIME							C_AVRG														
0	0	0					0																	

CMEAS_FAKE

Parameter	Description	Settings
SEQ_TIME	Sets the trigger period in timer-triggered mode (register 4, TMEAS_TRIG_SEL = 2).	0 = off Otherwise, if s = SEQ_TIME , the trigger period will be $20 \mu s * 2^{(s+1)}$ with $1 \leq s \leq 24$.
CMEAS_FAKE	Sets the number of CDC fake blocks per sequence, variable from zero to four.	00 - no fake measurement 01 - 1 fake block 10 - 2 fake blocks 11 - 4 fake blocks
C_AVRG	Sample size for averaging the CDC results. Zero is ignored and counts as one.	The signal-to-noise ratio will approximately improve proportionally to the square root of C_AVRG

Register 4 (address 4):

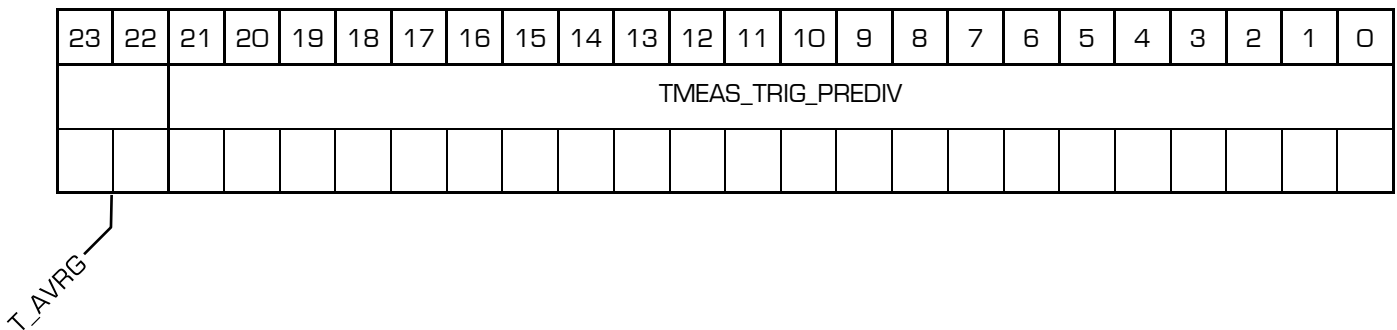


Parameter	Description	Settings
CMEAS_STARTPIN	Selects the pin for pulse-triggered capacitance measurement	0 = PG0 1 = PG1 2 = PG2 3 = PG3
CMEAS_TRIG_SEL	Selects the trigger source for the capacitance measurement	0 = softwaretrigger only 1 = continuous mode 2 = timer-triggered mode 3 = pulse-triggered mode

CMEAS_CYTIME	Sets the cycle time for the capacitance measurement. See section 3 for details. Clock period depends on OLF_TUNE. Clock period = 20µs @ 50kHz	CDC cycle time = CMEAS_CYTIME * clock period { CMEAS_CYTIME > 0 }
TMEAS_CYTIME	Sets the cycle time for the temperature measurement. With 33 nF and 1000 ohms sensors, set 0.	0 = 140 µs (recommended) 1 = 280 µs
TMEAS_STARTPIN	Selects the pin for pulse-triggered temperature measurement	0 = PGO 1 = PG1 2 = PG2 3 = PG3
TMEAS_TRIG_SEL	Selects the trigger source for the temperature measurement. Option 2 and 3 shall not be used.	0 = off/ opcode triggered 1 = CMEAS-triggered (by C-measurement, recommended) 2 = timer-triggered mode 3 = pulse-triggered mode

Begin with 0x041300 to be sure to get CDC values. Then increase or decrease your CDC cycle time according to your needs (linear scale). For first CDC tests, the RDC is better kept idle, that is why its trigger selector is kept zero.

Register 5 (address 5):



Parameter	Description	Settings
T_AVRG	Sample size for averaging of RDC values	0 (1 = no averaging) 1 (4-fold averaging) 2 (8-fold averaging) 3 (16-fold averaging)

TMEAS_TRIG_PREDIV	Sets the occurrence of RDC measurements relative to CDC measurements.	Zero counts as one. Set zero for hygrometers, because temperature and humidity must be measured alike / Set 100...1k or more in pressure sensors, because pressure may vary quickly, much faster than temperature.
-------------------	---	--

Register 6 (address 6):

23	22	21	20	19	18	17	16	15	14	13	12	11	10	9	8	7	6	5	4	3	2	1	0		
									TMEAS_7BITS																
0	0	0	0	0	0	0	0									0	1	0	0	0	0	0	0		

TMEAS_FAKE

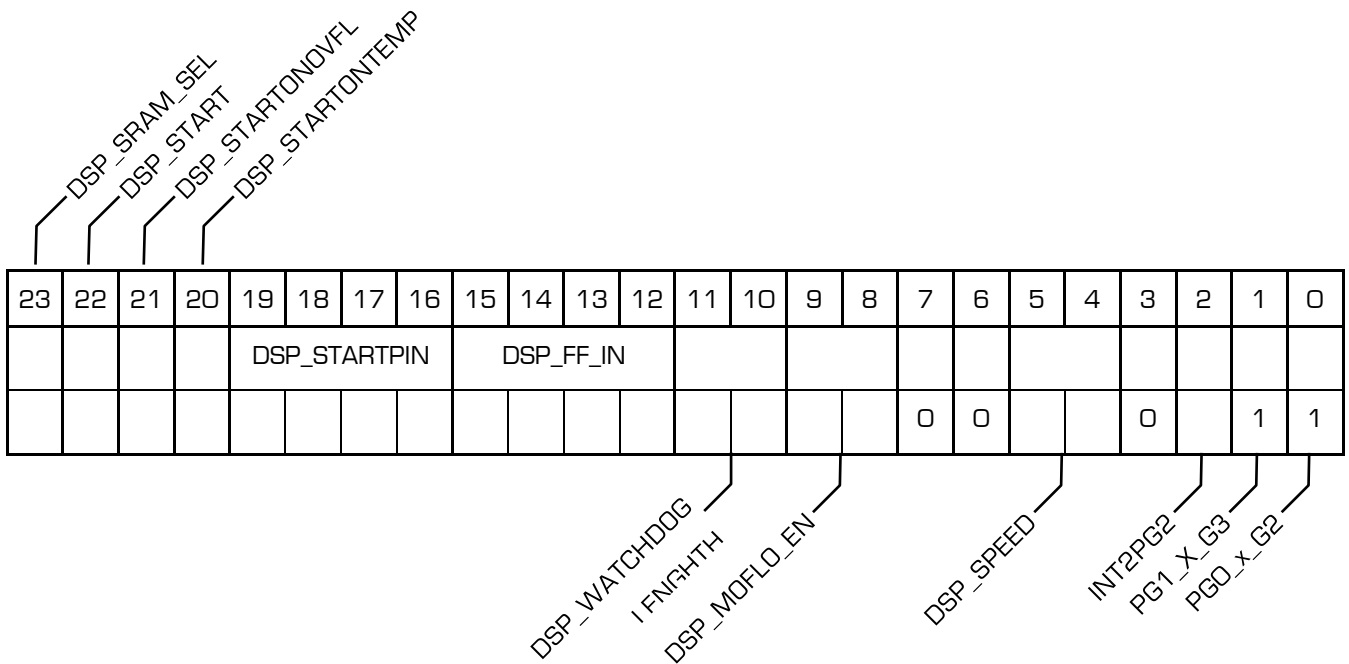
Parameter	Description	Settings
TMEAS_FAKE	Select number of fake measurements. The resolution/precision may be better when = 1, but you will loose speed.	0 = 2 dummy measurements 1 = 8 dummy measurements
TMEAS_7BITS	See dedicated paragraph 5.2.6 below	

Register 7 (address 7):

23	22	21	20	19	18	17	16	15	14	13	12	11	10	9	8	7	6	5	4	3	2	1	0

0	0	0	1	1	1	1	1	0	0	0	0	0	0	0	0	0	0	0	0	0	0	0
---	---	---	---	---	---	---	---	---	---	---	---	---	---	---	---	---	---	---	---	---	---	---

Register 8 (address 8):



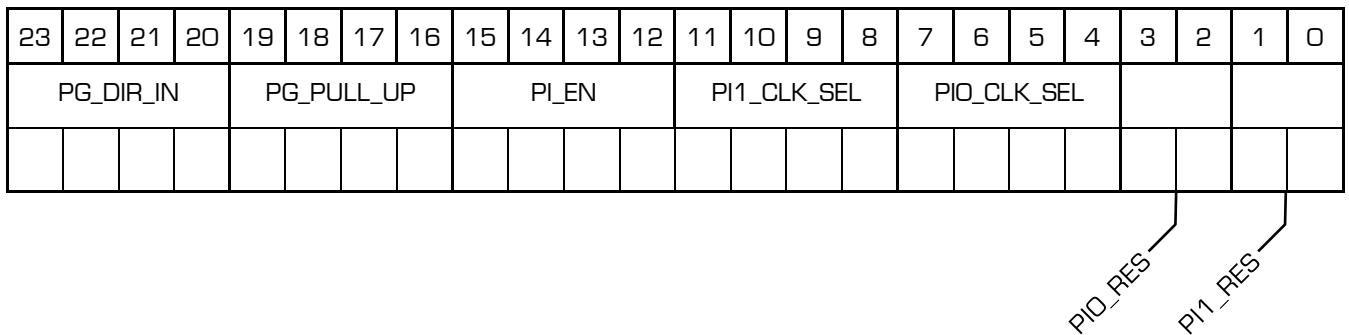
Parameter	Description	Settings
INT2PG2	Activate PG2 as an additional interrupt port (for QFN24 packages, where no INTN pin is available).	0 = INTN port only 1 = INTN and PG2 in parallel

PG1_X_G3	Re-route pulse code. By default (=1), the pulse code is output at ports PGO and PG1. Optionally, the pulse ports may be shifted to PG2 and PG3.	1 = PG1 0 = PG3
PG0_X_G2		1 = PGO 0 = PG2

For bits 23 to 3, see dedicated data sheet **DB_PCap01_DSP_e.pdf** (to be downloaded from www.acam.de); in that data sheet especially the sections 2.5 and 2.6

For bits 2 to 0, see dedicated chapter 5.2.7 below. Set 0x800030 to start with.

Register 9 (address 9):



Parameter	Description	Settings
PG_DIR_IN	toggles outputs to inputs (PG3/bit23 to PGO/bit20).	0 = output 1 = input
PG_PULL_UP	Activates pull-up resistors in PGO to PG3 lines; useful for mechanical switches.	Bit 16 = PGO Bit 17 = PG1 Bit 18 = PG2 Bit 19 = PG3
PI_EN	enables pulse-density or pulse-width mode code generation. PWM0/PDM0 can be output at ports PGO or PG2. PWM1/PDM1	b'xx01 = PWM0 on b'xx10 = PDM0 on b'01xx = PWM1 on

Parameter	Description	Settings	
	can be output at ports PG1 or PG3.	b'10xx = PDM1 on	
PI1_CLK_SEL	Base frequency for the pulse code interfaces, based on the internal low-frequency oscillator (OLF) or the external high frequency oscillator (OHF)	4 = OHF * 2	8 = OLF * 2
PIO_CLK_SEL		5 = OHF 6 = OHF / 2 7 = OHF / 4	9 = OLF 10 = OLF / 2 11 = OLF / 4
PI1_RES	Resolution of the pulse code interfaces	0 = 7 bit	
PIO_RES		1 = 8 bit 2 = 9 bit 3 = 10 bit	

Try OxFF000F to get started

Register 10 (address 10):

23	22	21	20	19	18	17	16	15	14	13	12	11	10	9	8	7	6	5	4	3	2	1	0				
																		V_CORE_CTL									
0	0	0	1	1	0	0	0	0	0	0	0	0	0	0	0												

Parameter	Description	Settings
V_CORE_CTL	Controls the 1.8 V core voltage regulator. The low-current setting permits a better resolution but puts restrictions onto RDC speed and timing. See examples in section 6.5.2 to 6.5.4	Ox47 = Standard Ox87 = Low-current

Param0 (address 11): not used

23	22	21	20	19	18	17	16	15	14	13	12	11	10	9	8	7	6	5	4	3	2	1	0
----	----	----	----	----	----	----	----	----	----	----	----	----	----	---	---	---	---	---	---	---	---	---	---

Param1 (address 12): not used

23	22	21	20	19	18	17	16	15	14	13	12	11	10	9	8	7	6	5	4	3	2	1	0

Param2 (address 13):

23	22	21	20	19	18	17	16	15	14	13	12	11	10	9	8	7	6	5	4	3	2	1	0
																pulse1_select				pulse0_select			

Parameter	Description	Settings
pulse0_select pulse1_select	Select the source for the PDM/PWM outputs	

Param3 (address 14):

23	22	21	20	19	18	17	16	15	14	13	12	11	10	9	8	7	6	5	4	3	2	1	0
pulse0_slope																							

Parameter	Description	Settings
pulse0_slope	Slope for pulse output 0. Signed fixed-point number with 19 integer, 4 fractional digits	-524,288 to +524,288 in steps of 0.0625

Param4 (address 15):

23	22	21	20	19	18	17	16	15	14	13	12	11	10	9	8	7	6	5	4	3	2	1	0
pulse0_offset																							

Parameter	Description	Settings
pulse0_offset	Offset for pulse output 0. signed fixed-point number with 22 integer, 1 fractional digits. The fractional digit is used for mathematical rounding, it is not used for the output.	-4,194,304 to + 4,194,303.5 in steps of 0.5

Param5 (address 16):

23	22	21	20	19	18	17	16	15	14	13	12	11	10	9	8	7	6	5	4	3	2	1	0
pulse1_slope																							

Parameter	Description	Settings
pulse1_slope	Slope for pulse output 1. Signed fixed-point number with 19 integer, 4 fractional digits	-524,288 to +524,288 in steps of 0.0625

Param6 (address 17):

23	22	21	20	19	18	17	16	15	14	13	12	11	10	9	8	7	6	5	4	3	2	1	0
pulse1_offset																							

Parameter	Description	Settings
pulse1_offset	Offset for pulse output 1. signed fixed-point number with 22 integer, 1 fractional digits. The fractional digit is used	-4,194,304 to + 4,194,303.5 in steps of 0.5

for mathematical rounding, it is not used for the output.

Param7 (address 18):

23	22	21	20	19	18	17	16	15	14	13	12	11	10	9	8	7	6	5	4	3	2	1	0	

differential

Parameter	Description	Settings
differential	Selects between single and differential sensors	0 = Single 1 = Differential

Param8 (address 19):

23	22	21	20	19	18	17	16	15	14	13	12	11	10	9	8	7	6	5	4	3	2	1	0	
Gain_Corr																								

Parameter	Description	Settings
Gain_Corr	Multiplication factor for internal compensation measurement. Unsigned fixed-point number with 3 integer and 21 fractional digits.	0 to 7.9999995 Standard value is h'200000, meaning d'1.000000

Register 20 (address 20):

23	22	21	20	19	18	17	16	15	14	13	12	11	10	9	8	7	6	5	4	3	2	1	0	
0	0	0	0	0	0	0	0	0	0	0	0	0	0	0	0	0	0	0	0	0	0	0	0	

RUNBIT

Parameter	Description	Settings
RUNBIT	RUNBIT=1 must be the last parameter written. Please set RUNBIT=0 before making any modifications to the registry.	0 = protects the device and keeps it idle during configuration and forces the DSP to stand still. 1 = activates the run mode

5.2 Explanations to Configuration Registers

5.2.1 Comments on Register 0

Register 0 is the first in the list, and the last to be handled, as it applies to the OTP memory. So, during most of the evaluation and design-in, it will be unimportant.

MEMCOMP: Setting 0x0 is mandatory if DSP_SRAM_SEL='OTP'. Otherwise 0x2 may be best choice; upon firmware „stop“, the DSP clock will be slowed down, and SRAM contents will be compared to OTP in 33-byte parcels. Next parcel after next stop. Upon comparison alert, MEMCOMP issues a power-up reset. Through AUTOBOOT, the SRAM contents will be refreshed.

ECC_MODE. When not disabled („single“), this mechanism stocks and compares OTP contents in redundancy, see OTP memory map in annex. Recommended setting is 0xF0 („quad“) for firmware length < 1985 bytes and 0x0F („double“) above. Quad mode simply means triple copy of every bit and AND connection between each (note: accidental zero-to-

one bit shift is possible, whereas one-to-zero is not). Double mode resides on a Hamming Code parity test. Errors are corrected, as far as possible (but not repaired).

With AUTOBOOT_DIS = 0xF any automatic boot option after a power-on reset is disabled. The chip will wait for the serial interface to write the firmware into the SRAM and to write appropriate data to the configuration and parameter registers.

5.2.2 Comments on Register 2

Recommended settings for bits 15 through 11 are:

Table 5-1: Settings

for single capacitances connected floating	5b'01000
for single capacitances connected to ground	5b'00010
for differential capacitances connected floating	5b'10000
for differential capacitances connected to ground	5b'00010

For differential capacitors and only for them, Param7 has to be set, too. Some differential capacitors require a mirror symmetric charge/discharge process to neutralize mechanical stress. This option is activated through Bit 13 = ,1'.

Select the chip-internal discharging resistor (RDCHG_INT_SEL) as follows:

Table 5-2: Settings for parameter RDCHG_INT_SEL

Consider the largest sensor capacitance in your set-up and include stray capacitance (average 10 to 40 pF each). Also consider your reference capacitor including stray capacitance as above. Take the largest value of all and call it C_ largest.			
If C largest	< 100 pF	RDCHG_INT_SEL	= b'100 (180 kOhm)
	< 300 pF		= b'101 (90 kOhm)
	< 1 nF		= b'110 (30 kOhm)
	< 3.5 nF		= b'111 (10 kOhm)

5.2.3 Comments on Register 3

The benefit from using fake measurements depends on the individual sensors. Experiment with different settings. With the averaging setting, begin with sample size = CMEAS_AVRG = 1. Increasing this value gives better resolution, but lowers the measurement rate.

5.2.4 Comments on Registers 3 and 4 (timing rules)

Timing the CDC and RDC measurement depends on notions like „cycle time“ and „sequence time“ (See chapter 3). A cycle is an elementary process; it consists of just one charging and subsequent discharging the individual sensor paths, be it 100 μ s or even several milliseconds in extreme cases, the lower limit is 0.25 μ s for the CDC part of the device. - Always make sure to let sufficient time for the charging process, because the discharging is conditioned physically via the real values of capacitance and resistivity. Let as much time for charging as for the discharging as minimum.

Too short a cycle time will lead to error conditions (time-out and port error on one or several ports). Inadequate cycle time will increase the noise. Sometimes the capacitances at hand are not known precisely. Especially, cable capacitances and other stray capacitances are not known. During design and debugging, it may be wise to start with large cycle times before trying to optimize this parameter down. Cycle time cannot be fixed individually to every port; rather there is one general cycle time for the CDC and one other for the RDC.

„Sequence Time“ is another word for „on-chip generated trigger period“. Sequence time is not always important. It is useful when low-noise measurements must be made „from time to time“, with some milliseconds, seconds or up to eleven minutes of idle time in between. Saving current may be one aspect. Conversely, the sequence-time parameter is ignored when the chip is operated in a continuous mode where the last cycle of a preceding measurement triggers the first cycle of the next one.

Continuous mode is commanded through CMEAS_TRIG_SEL=1 and TMEAS_TRIG_SEL=1 (or 0 which disables the RDC). Single-conversion is always possible through op-code commands or DSP commands. It is furthermore possible though CMEAS_TRIG_SEL=2 and triggered through a sequence timer according to parameter SEQ_TIME (in this and only in

this case this parameter counts). Third, it is possible through CMEAS_TRIG_SEL=3 and electric pulses introduced through one of the general-purpose ports. Which one, is fixed through parameter ..._STARTPIN.

5.2.5 Comments on Registers 4 and 5

When neither power-saving nor external synchronization is an issue, choose CMEAS_TRIG_SEL=1 (recommended) and TMEAS_TRIG_SEL=1. TMEAS_TRIG_PREDIV=1, maximizes the number of temperature measurements, which is probably too many. With TMEAS_TRIG_PREDIV=64, there will be one temperature measurement run for every 64 CDC measurements. Similarly the RDC trigger pre-divider divides the number of LF clock cycles (with period approx. 20 µs) when the trigger source is chosen TMEAS_TRIG_SEL=2 (not recommended). With the TMEAS_CYTIME setting, try both possible choices. Setting this to 1, you are on the safe side, but may lose speed.

5.2.6 Comments on Register 6

The chip device contains an internal thermo-resistance and an internal reference resistor. Furthermore it provides three external ports for connecting thermometers/reference. All in all, 11 combinations are supported by the chip. Standard firmware, though, as presented here, limits to six combinations out of eleven:

Option#	Reference Resistor	External Resistor	Internal Resistor
1	Internal	None	Connected, active
2	Internal	Connected to port PTO	Connected, active
3	Internal	Connected to port PTO	Connected, inactive
4	External connected at port PT2REF	None	Connected, active
5	External connected at port PT2REF	Connected to port PTO	Connected, active
6	External connected at port	Connected to port PTO	Connected, inactive

	PT2REF		
--	--------	--	--

For any of these 6 combinations, choose parameter TMEAS_7BITS and read the results in the output registers as follows:

Option#	TMEAS_7BITS	Contents of output registers
1	1000011 = 'h43	Res11 = R(AI_internal)/R(Si_internal)
2	1001011 = 'h4B	Res10 = R(external)/R(Si_internal) Res11 = R(AI_internal)/R(Si_internal)
3	1001001 = 'h49	Res10 = R(external)/R(Si_internal)
4	0000110 = 'h06	Res11 = R(AI_internal)/R(Ref_external)
5	0001110 = 'h0E	Res10 = R(external)/R(Ref_external) Res11 = R(AI_internal)/R(Ref_external)
6	0001100 = 'h0C	Res10 = R(external)/R(Ref_external)

5.2.7 Comments on Register 8

It is recommended that you use the setting 0x800030 as mentioned to get started in slave operation. Choose 0xA00030 for stand-alone applications. Please download dedicated data sheet DB_PCap01_DSP_e.pdf (from www.acam.de)

The WATCHDOG parameter should be defined together with the firmware developer. When using standard firmware (or any appropriate firmware containing “reset watchdog” commands), the watchdog may be used and WATCHDOG_LENGTH = 3 may be a good choice. Zero disables the watchdog.

Setting INT2PG allows the interrupt line to be outputted through the PG2 port (useful with 24-pin packages where there is no INTN pin). Using the interrupt technique is preferred to polling the interface, because it minimizes the noise. — The low-current setting (DSP_SPEED=3) might be incompatible with high speed measurements.

5.2.8 Comments on Register 9

Further details concerning the pulse code interface should be fixed in collaboration with the firmware developer.

5.3 Read Registers

The read registers content is firmware specific, with the exception of Status. It depends on the program that runs in the DSP. When no program is running, the result registers will remain empty (except the status register). With the standard firmware 03.01.xx the registers have the following content:

Address	Name	Content	Description
0	Res 0	CO LSB	For reference only: normalized TDC value in LSB (see note below)
1	Res 1	C1/CO	Single C: ratio C1/CO Differential C: ratio C1/CO
2	Res 2	C2/CO or C3/C2	Single C: ratio C2/CO Differential C: ratio C3/C2
3	Res 3	C3/CO or C5/C4	Single C: ratio C3/CO Differential (only grounded) C: ratio C5/C4
4	Res 4	C4/CO or C7/C6	Single C: ratio C4/CO Differential (only grounded) C: ratio C7/C6
5	Res 5	C5/CO	Single C only: ratio C5/CO
6	Res 6	C6/CO	Single C only: ratio C6/CO
7	Res 7	C7/CO	Single C only: ratio C7/CO
8	Status	Status	Status information (hardwired, not firmware dependent)
11	Res 8	not used	
12	Res 9	not used	
13	Res 10	RO/Rref	Ratio Sensor 0 to reference
14	Res 11	R2/Rref	Ratio Sensor 2 to reference

See figures 3-6 to 3-9 for a description of what C0 to C7 means. Concerning Res0, please note that meaningful TDC values will be displayed only if C_AVRG=1 (or 0, meaning same). Otherwise you will need to divide by the C_AVRG value. The evaluation kit performs this without notice. After division, multiplying by the TDC bin width (typ. 22 - 25 picoseconds), represents the discharge time encountered at C0.

Register Description in Detail:

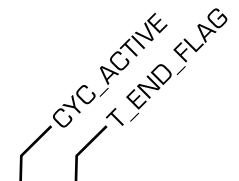
Res1 (address 1) to Res7 (address 7):

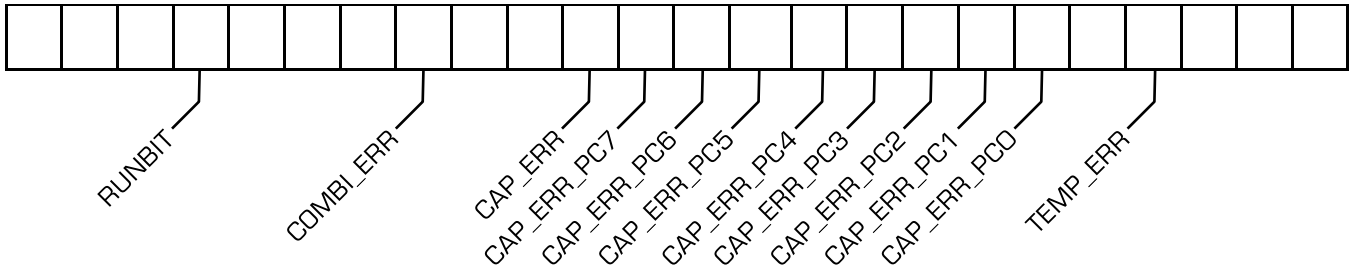
23	22	21	20	19	18	17	16	15	14	13	12	11	10	9	8	7	6	5	4	3	2	1	0
Cx/Cy																							
integer			fractional																				

Parameter	Description	Data range
C1/C0 etc.	Capacitance ratios. Unsigned fixed-point numbers with 3 integer and 21 fractional digits.	0 to 7.9999995 resolution 0.477 ppm

Status (address 8):

23	22	21	20	19	18	17	16	15	14	13	12	11	10	9	8	7	6	5	4	3	2	1	0
Status																							





Bit	Flag name	Description
23	CYC_ACTIVE	Indicates that interface communication took place during the measurement; the measurement quality may suffer due to this; increasing the sequence time may help
22	T_END_FLAG	Indicates the end-of-temperature measurement condition; according to the settings made, this may indicate that the device is waiting for a start command or for the next timer-triggered start condition
20	RUNBIT	Gives back the setting of the RUNBIT in configuration register 20
16	COMBI_ERR	This is a combined condition of all known error conditions
13	CAP_ERR	Indicates an overflow or other error in the CDC.
12 to 5	CAP_ERR_PC	Indicates a port error on any CDC port (possibly too big capacitance)
3	TEMP_ERR	Indicates an overflow or other error in the RDC

Please ignore all status bits not mentioned here.

It is worthwhile mentioning that Status is the only firmware-independent read register, both for its address as for its bit assignment. Its content will depend on sensor physics, on front-end and on register setting, but not on the presence of the firmware or any details. Neither will it depend on DSP operation or idleness. RUNBIT should generally be present. CYC_ACTIVE may be tolerable, in continuous mode even unavoidable.

Res10 (address 13):

23	22	21	20	19	18	17	16	15	14	13	12	11	10	9	8	7	6	5	4	3	2	1	0
RO/Rref																							
integer				fractional																			

Parameter	Description	Data range
RO/Rref	Resistance ratios from temperature measurement. - RO is the external resistor connected to port PTO. - Rref might be the external reference connected to port PT2REF or the internal Poly resistor. Unsigned fixed-point numbers with 3 integer and 21 fractional digits.	0 to 7.9999995 resolution 0.477 ppm

Res11 (address 14):

23	22	21	20	19	18	17	16	15	14	13	12	11	10	9	8	7	6	5	4	3	2	1	0
R2/Rref																							
integer			fractional																				

Parameter	Description	Data range
R2/Rref	Resistance ratios from temperature measurement. - R2 might be the external resistor connected to port PT2 or the internal Aluminum resistor. - Rref might be the external reference connected to port PT2REF (only with RO = internal Aluminum) or the internal Poly resistor. Unsigned fixed-point numbers with 3 integer and 21 fractional digits.	0 to 7.9999995 resolution 0.477 ppm

6 DSP, Memory & Firmware

6.1	DSP Management and Programming.....	6-2
6.2	Memory Map.....	6-4
6.3	Memory Management	6-4
6.4	OTP Firmware programming.....	6-5
6.5	Getting Started	6-6
6.5.1	SRAM Firmware programming	6-6
6.5.2	Configuration, Example 1	6-7
6.5.3	Configuration, Example 2	6-10
6.5.4	Configuration, Example 3	6-12

6.1 DSP Management and Programming

A digital signal processor (DSP) in Harvard architecture has been integrated. It is programmable and responsible for the content of the read registers. The software, called “firmware”, is either available ready-made from ACAM or can be user-written; Library elements available. In the present datasheet, we describe the standard firmware 03.01.xx as is provided by ACAM. Firmware 03.01 writes the compensated capacitance ratios and the resistance ratios to the read registers, then performs the first-order linearization in connection with the pulse-code outputs as described in section 4.2, but does no higher-order linearization, filtering or any other data processing, though largely possible. This Harvard DSP for 48 bit wide parallel data processing is coupled to a 48 x 48 bit RAM and is internally clocked at approximately 100 MHz. The internal clock is stopped through a firmware command, to save power. The DSP starts again upon a GPIO signal or an “end of measurement run” condition.

The DSP is ACAM proprietary so as to cover low-power tasks as well as very high data rates. It is programmed in Assembler (no high-level language is available). A user-friendly assembler software with a graphical interface, helptext pop-ups together with sample code sustain programming efforts. Subroutines can be coded.

The DSP signals a “data ready” state to an interrupt line. The interrupt may be picked either from the INTN port or from GPIO (PG2). Using the interrupt technique has some advantages with respect to noise and power consumption, also avoiding to produce doublets (reading twice the same result).

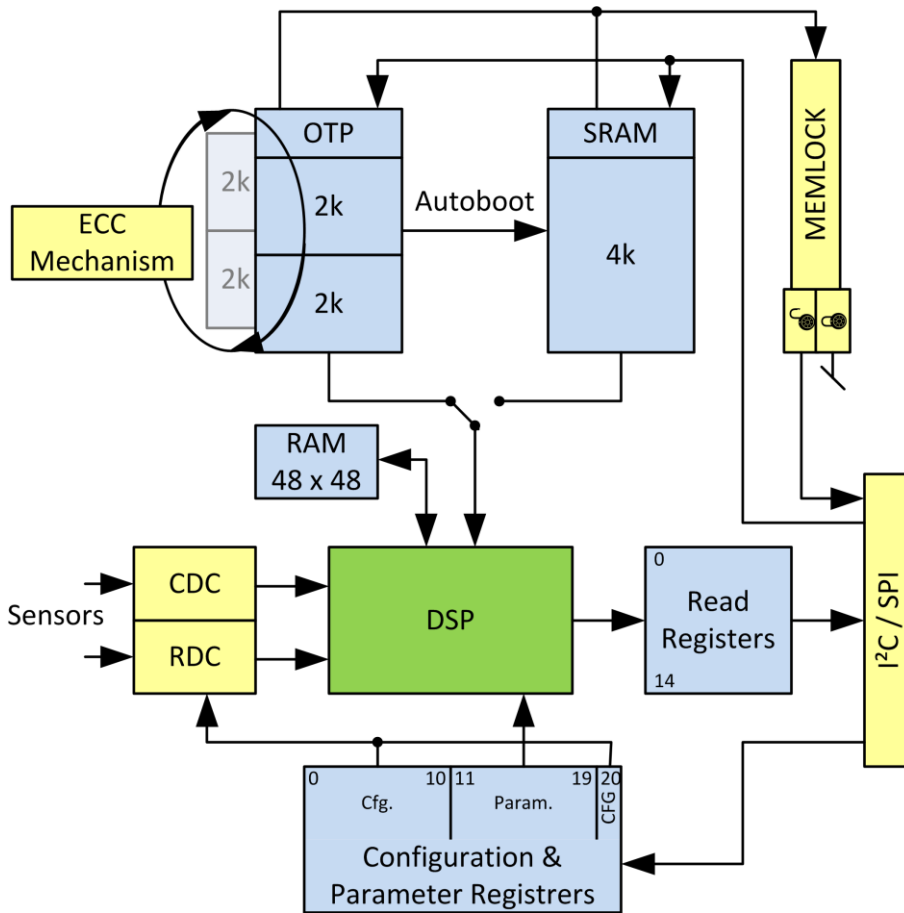


Figure 6-1 DSP & Memory

Doublets are likely to occur when polling the interface. If polling cannot be avoided, it may be good practice to write incremental tags into one of the result registers, serving as a discriminator for a doublet filter.

6.2 Memory Map

Table 6-1 Memory organization

		SRAM		OTP							
Address				direct/single		double		quad			
dec.	hex.	Contents	Length [Byte]	Contents	Length [Byte]	Contents	Length [Byte]	Contents	Length [Byte]		
4095	FFF	Program code	4096	Unused	1	Test byte	1	Test byte	1		
4094	FFE			Config. Registry	63	Config. Registry	63	Config. Registry	63		
..	..									4032	FC0
4031	FBF			Program code	4032	Program code	4032	Program code	1984		
..	..										
2048	800h									Test byte	1
2047	7FF									Config. Registry	63
2046	7FE									Program code	1984
..	..										
1983	7BF			Program code	1984						
..	..	0	0								

6.3 Memory Management

The DSP can be operated from SRAM (maximum speed) or from OTP (low power). When operated from SRAM, an SRAM-to-OTP data integrity monitor can be activated through parameter MEMCOMP in register O, but must(!) be inactivated for operation directly from OTP.

Memory integrity (“ECC”) mechanisms survey the OTP contents internally and correct faulty bits (as far as possible).

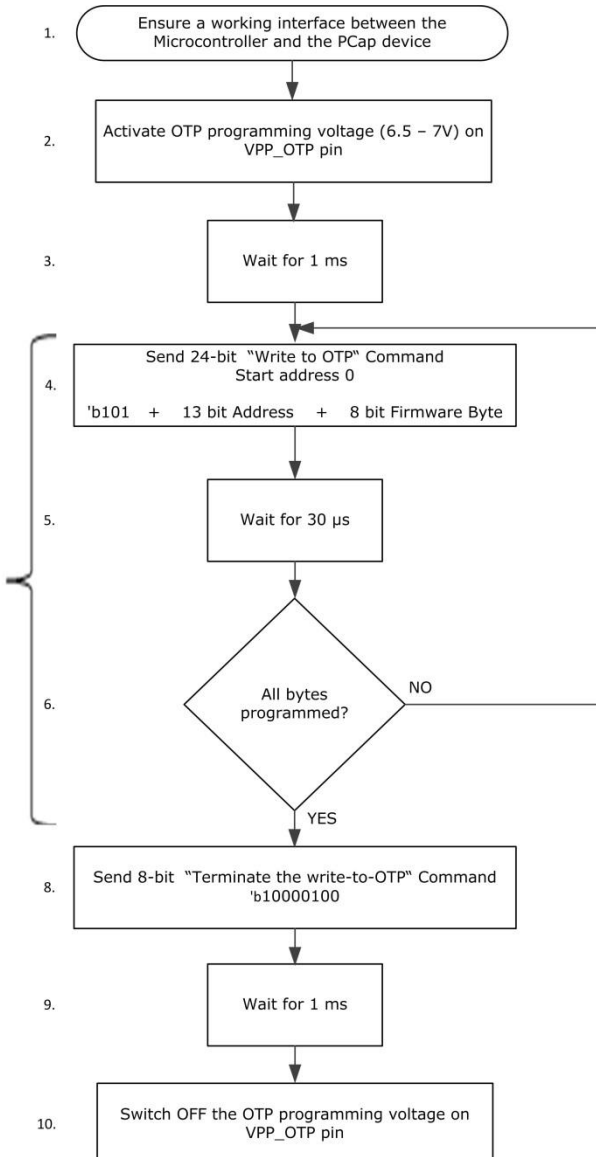
Activate MEMLOCK, the memory readout blocker, through special OTP settings performed when loading down the firmware (see the graphical user interface created for firmware development). MEMLOCK contributes to the protection of your intellectual property.

MEMLOCK gets active earliest after it was written to the OTP and the chip got a power-on reset.

6.4 OTP Firmware programming

The PCap device is equipped with a 4 kB permanent program memory space, which is one-time programmable, called the OTP memory. In fact, the OTP is total 8 kB in size but 4 kB are used for ECC mechanism. If unprogrammed -by default- an OTP byte is h'FF, not 00. Once programmed to 0, an OTP bit cannot be shifted back to 1. Data retention is given for 10 years at 95°C. MEMLOCK is fourfold protected.

To program a bit in the OTP to Low or '0', an external programming voltage of 6.5 V is necessary. This voltage must be supplied to pin VPP_OTP during programming only, then removed, and pin grounded. Hence it is impossible that an un-programmed bit be programmed to 0 spontaneously during ordinary operation, when the VPP_OTP pin is grounded. The flowchart here shows the



Programming loop to program all the bytes of the OTP with the firmware

sequence of steps to be performed to program the firmware into the OTP:

It may be good practice to read the firmware back and compare, at least the first 960 bytes in the case of the standard firmware. The read command is similar to the write command with 'b001 for the leading bits:

24-bit COMMAND_READ_OTP = 'b001 + 13-bit ADDRESS + 8-bit Firmware-byte

During the design process, if you find some wrong bits in some of the bytes you have read back, please (a) stop the front end and (b) override register 0, because the ECC_MODE parameter will be critical for the readback process.

Useful settings are:

(a) Reg20 := 0 (runbit) and

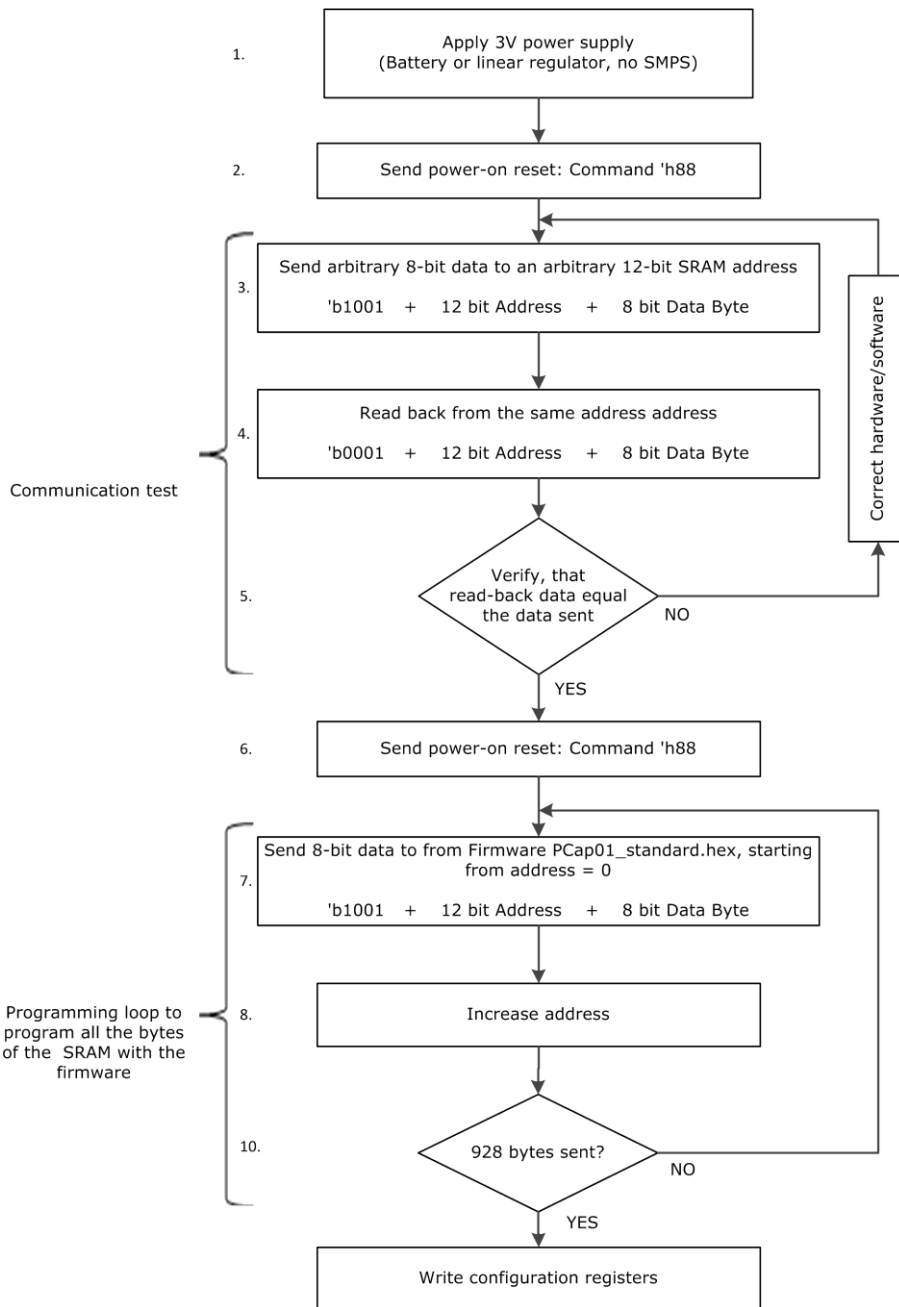
(b) Reg0 := 0

or in op-code, 'hD4000000 and 'hC0000000.

6.5 Getting Started

6.5.1 SRAM Firmware programming

During software development, evaluation and also in many applications the user may want to use the SRAM as program memory, not the OTP. For this purpose, send a power-up reset, then write the firmware into SRAM. Op-codes "Write to SRAM" and "Read SRAM" grant access to arbitrary SRAM addresses. The following flowchart shows the first steps after a power on Reset.



6.5.2 Configuration, Example 1

The next step after downloading the firmware is to download the configuration as described in section 5.1.

This example refers to a basic configuration like Pcap01_standard.cfg (as it comes with the evaluation kit).

This example features:

Capacitance	Temperature	Timing
Single grounded capacitors, 1 sensor, 1 reference, internally compensated, R_disch = 30 kOhm cycle time = 20 µs 3 Hz data rate Averaging 100 samples	Off	Sequence-time triggered: a chip-internal timer serves as a trigger source, starting a CDC sequence or run.

The configuration in detail is the following:

- Register 0: 'h 42 00 FF
- Register 1: 'h 20 10 22
- Register 2: 'h 03 16 0B
- Register 3: 'h 0D 00 64
- Register 4: 'h 08 00 00
- Register 5: 'h 00 00 00
- Register 6: 'h 00 00 40
- Register 7: 'h 1F 00 00
- Register 8: 'h 80 00 30
- Register 9: 'h FF 00 0F
- Register 10: 'h 18 00 87

1. In order to write these 24-bit parameters, use the following 32-bit format:
 $\{2'b11, 6'b<Register_Address>, 24'b<Register_Contents>\}$
 When all eleven registers are configured, finish with setting the runbit in Register 20:
 $\{2'b11, 6'b010100, 'h000001\}$
2. Now the chip is ready, and measurement may begin. Send a partial reset ('h8A), but not a power-up reset!
3. Next, send a start command ('h8C).
4. Wait half a second, then read the status register (address 8) and results (addresses 0 and 1). For reading 24-bit status and result registers, use the following 32-bit format:

{2'b01, 6'b<Result_Address>, 24'b<Result_Data>}

It is expected to find status==h100000 or h900000.

Res0 could be e.g. in the vicinity of 70000. This integer value, multiplied by 21 picoseconds (a typical time BIN size), gives an indication of the discharge time measured. Thus, 70000 would correspond to 1.5 μ s. Of course, this value depends on the capacitances involved.

Res1 is expected to be in the range of 2,000,000 or h1FF2XX provided sensor and reference are of same size. Res1 has the format of a fixed-point number with 3 integer digits and 21 fractional digits. So, dividing 2,000,000 by 2^{21} gives a result close to 1 for the ratio $C1/C0$.

Now, some words of caution, the 21 ps BIN size is just a typical value at room temperature and at 3.0 volts. It will vary greatly over temperature, and it may be batch-dependent. However, it is very constant on a sub-millisecond timescale. Given the variability of the BIN size, we strongly recommend to make relative measurements between some sensor and a reference; do not make absolute measurements.

6.5.3 Configuration, Example 2

This example refers a capacitance measurement together with a temperature measurement (internal sensor).

This example features:

Capacitance	Temperature	Timing
Single floating capacitors 1 sensor, 1 reference, fully compensated R_disch = 90 kOhm cycle time = 20 µs 12.2 Hz data rate Averaging 100 samples	Internal sensor and reference "end-of-C-measurement" triggered (12.2 Hz data rate); 140 µs cycle time	Sequence time triggered as in the example before, but at a higher rate. Each CDC run is triggered by the internal clock, and the RDC run follows after every CDC run.

The configuration in detail is the following:

- Register 0: 'h 42 00 FF
- Register 1: 'h 20 10 22
- Register 2: 'h 0F 45 0B
- Register 3: 'h 0B 00 64
- Register 4: 'h 08 00 01
- Register 5: 'h 00 00 00
- Register 6: 'h 00 43 40
- Register 7: 'h 1F 00 00
- Register 8: 'h 80 00 30
- Register 9: 'h FF 00 0F
- Register 10: 'h 18 00 87

Steps 1 to 3 equal to those in the first example.

4. Wait 100 ms, then read the status register (address 8) and results Res0, Res1 and Res11 (addresses 0, 1 and 14). For reading 24-bit status and results use the following 32-bit format:
 {2'b01, 6'b<Result_Address>, 24'b<Result_Data>}

It is expected to find status==‘h100000 or 0x900000.

Res0 could be e.g. in the range of 70000. This integer value, multiplied by 21 ps (BIN size) gives an indication of the discharge time measured. With 70000 we would have a discharge time of 1.5 μ s. Of course, this value depends on the capacitors used.

Res1 is expected to be in the range of 2,000,000 or ‘h1FF2XX if the two capacitors are of same size. Res0 has the format of a fixed point number with 3 integer digits and 21 fractional digits. So, dividing 2,000,000 by 2^{21} gives a result of about 1 for the ratio C1/C0.

Res11 gives the ratio of R(alu)/R(Si-poly) and should be something like 1,750,000. Converted into a fractional number (division by 2^{21}) this is about 0.83, a typical ratio at room temperature.

6.5.4 Configuration, Example 3

This example refers to a capacitance measurement at 1 kHz, accompanied by infrequent (2 Hz) temperature measurement, performed with an external sensor.

This example features:

Capacitance	Temperature	Timing
Single grounded capacitors 1 sensor, 1 reference, internally compensated R_disch = 30 kOhm cycle time = 20 µs 1.04 kHz data rate Averaging 16 samples	External PT1000 at port PTO vs. internal Poly-Si reference 2.06 Hz data rate 280 µs cycle time	Continuous mode. The RDC is „End of CDC“ triggered, like in Ex. 2., but with a counter in between, so as to bring down the RDC rate.

The configuration in detail is the following:

- Register 0: 'h 42 00 FF
- Register 1: 'h 20 10 22
- Register 2: 'h 03 16 0B
- Register 3: 'h 06 00 10
- Register 4: 'h 04 01 11
- Register 5: 'h 00 01 F8
- Register 6: 'h 00 49 40
- Register 7: 'h 1F 00 00
- Register 8: 'h 80 00 04
- Register 9: 'h BB 00 00
- Register 10: 'h 18 00 47

Steps 1 to 3 equal those in the first example.

4. Wait 100 ms, then read the status register (address 8) and result register Res1 (address 1). For reading 24-bit status and result use the following 32-bit format:
 {2'b01, 6'b<Result_Address>, 24'b<Result_Data>}

It is expected to find status=='h100000 or 'h900000.

Res1 is expected to be in the range of 2,000,000 or h'1FF2XX if the two capacitors are of same size. Res1 has the format of a fixed point number with 3 integer digits and 21 fractional digits. So, dividing 2,000,000 by 2^{21} gives a value close to 1 for the ratio C1/CO.

Res11 gives the ratio of R{PT1000}/R{Si-poly} and should be something like 2,080,000. Converted into a fractional number (division by 2^{21}) this is about 0.992, a typical ratio at room temperature.

7 Miscellaneous

7.1	Bug Report	7-2
7.1.1	I2C Bug	7-2
7.1.2	Spikes on IIC Interface	7-3
7.1.3	SPI Limitation	7-4
7.1.4	Power-up Reset Limitation.....	7-4
7.2	Document History	7-6

7.1 Bug Report

7.1.1 I2C Bug

Description

In case PCap01A is not the only device on the I2C bus, we have the following errors:

Table 7-1: Communication between Master and some Slave other than PCap01

Situation	Expected behavior	Actual behavior	Conclusion
Master initializes communication with another slave than PCap01	PCap01 should remain silent like it were absent from the bus.	PCap01 acknowledges any address byte. It sets the ACK bit like if it had been called with its own address (1)(2)	wrong
Master has established communication with another slave and is writing data to, or reading data from it.	PCap01 should remain neatly off the SDA line.	PCap01 acknowledges any data byte in parallel to slave's(2) and master's(3) ACK or despite their respective NACK	wrong
	PCap01 should ignore the data bits themselves	PCap01 does not listen to those data bits that are sent to others.	right

(1) If the requested slave is present and ready to respond, this will be tolerable.

(2) NACK (refused acknowledge) no longer exists in this kind of a situation.

(3) This kind of "meddling with the master's business" may trouble the master (caution with integrated i2C controllers). Master is requested not to leave its master status, but to remain master and to issue a STOP condition.

Preliminary suggestions

- Take the SPI interface, if possible. No problem detected on SPI.
- If you need the I2C interface, restructure your network so that PCap01 is connected single-slave to the master.
- If you need I2C and cannot avoid a multi-slave bus structure, be aware of the restrictions to the bus protocol, described in this report

Consequences on integrated I2C controllers (with more than one slave)

The use of hardwired I2C interfaces with multi-master capability may cause error during read operations, because a master may go to Error due to some ACK bit arriving within a „read“ process (as the master alone should acknowledge data from slaves). This may completely block the interface, unless the master has been instructed not to listen to the line for detecting possible master-collision situations.

(Remark “master-collision situations“: In multi-master systems, two members may incidentally become co-masters. This is part of the standard. Both co-masters listen to the SDA line and become slave as soon as they detect a collision. This is what PCap01 provokes; all masters become slave, and the bus hangs.)

As write operations are possible, I2C expanders may be used to interface PCap01 in multi-slave systems.

Consequences on hand-written, „software“ I2C interfaces

You are recommended to simplify and to modify the interface protocol:

- The most basic subset of the I2C standard will be best.
- Multi-master, arbitration and the like should be skipped.
- Master must ignore any ACK bits set in competition with its own ACKs or NACKs.
- Master cannot rely on any ACK bits issued by other slaves than PCap01. ACK bits are likely to come from PCap01. Pay attention to this, especially during debugging and for error-handling.
- Some work-around may be necessary in order to check for the presence and readiness of a slave, which standardwise would be signaled through an ACK.
- You cannot use NACK bits. In particular, NACK cannot be used to signal “end of transfer“ to a slave. You must abort by a repeated-start or by a stop condition.
- If possible, use an I2C expander in multi-slave applications.

7.1.2 Spikes on IIC Interface

It was observed that spikes on the IIC lines, especially SDA to SCL crosstalk is causing a bit stream of ones („1“). This way, it appears in the data like a „freezing“ of values, e.g.

the temperature value. The background of this error is that the spike is seen by PCap01 as an acknowledge bit (ACK) and therefore active sending is stopped. The master still sends clock cycles and by means of the pull-up a series of „1“ is generated.

The error occurs usually when a typical bit pattern is proceeding, which is XXXX_0001 or XXXX_0101. The following byte is then 1111_1111.

Workaround: the spike should be filtered at the inputs of PCap01. This can be achieved in two ways:

1.) Insert a small capacitance, e.g. 10 pF from SCL line to either GND or VDD. It should be placed close to the chip.

2.) Insert a series resistor of 100 Ohms in the SDA line. Again, place it close to the chip.

7.1.3 SPI Limitation

In some applications, several components are wired to the same SPI bus and are individually addressed through the chip-select (SSN) line. For this to work, any non-addressed component, seeing SSN 'high', must set its MISO port to high impedance. No high-impedance state existing on MISO port inside PCap01.

Workaround: Avoid sharing MISO, or insert an (inexpensive) external single-gate tri-state buffer between PCap's MISO port and the MISO line.

7.1.4 Power-up Reset Limitation

In case of shorttime power down, the PCap01 does not safely detect the power-down status. In consequence, it may happen that the chip does not run a power-up procedure but hangs.

Workaround: a) Operated as a slave, upon power-down, the PCap01A needs a dedicated software power-up reset via the interface by the microcontroller.

b) Operated stand-alone, the PCap01A may need an additional external power-up circuit. However, if power consumption is not critical, a simple 11 kOhm resistor between

PCapØ1Ax-0301

BUFFCAP and GROUND is believed to be sufficient as a workaround, for any power shutdown lasting 100 ms or more.

7.2 Document History

04.08.2010 First release

11.04.2012 Two dozen minor corrections and amendments, throughout the chapters;
separation between hardware and software aspects (blue stripe in margin)

16.01.2013 Corrections and amendments in the chapters 2, 5 and 7

15.07.2013 version 0.6 released with following changes:

- in register 2, parameter C_GRD_FLOAT replaced by CMEAS_SCHEME
- supplement in the read register overview in chapter 5.3
- calculation of CMEAS_CYTIME fixed.



acam-messelectronic gmbh
Friedrich-List-Straße 4
76297 Stutensee-Blankenloch
Germany
Phone +49 7244 7419 - 0
Fax +49 7244 7419 - 29
E-Mail support@acam.de
www.acam.de