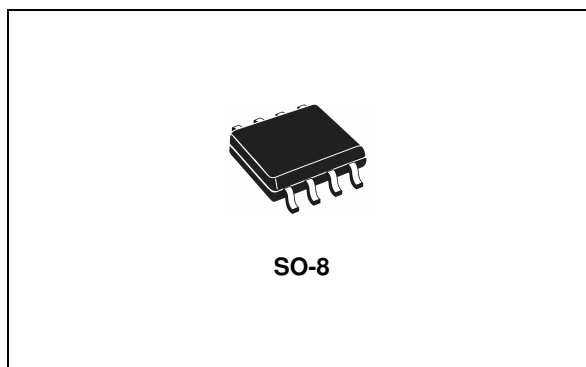


## 0.5 A max constant current LED driver

Datasheet - production data



### Description

The STCS05A is a BiCMOS constant current source designed to provide a precise constant current starting from a varying input voltage source. The main target is to replace discrete components solution for driving LEDs in low voltage applications such as 5 V, 12 V or 24 V giving benefits in terms of precision, integration and reliability.

The current is set with external resistor up to 0.5 A with a  $\pm 10\%$  precision; a dedicated pin allows implementing PWM dimming. An external capacitor allows setting the slope for the current rise from tens of microseconds to tens of milliseconds allowing reduction of EMI.

An open-drain pin output provides information on load disconnection condition.

### Features

- Up to 40 V input voltage
- Less than 0.5 V voltage overhead
- Up to 0.5 A output current
- PWM dimming pin
- Shutdown pin
- LED disconnection diagnostic

### Applications

- LED constant current supplying for varying input voltages
- Low voltage lighting
- Small appliances LED lighting

Table 1. Device summary

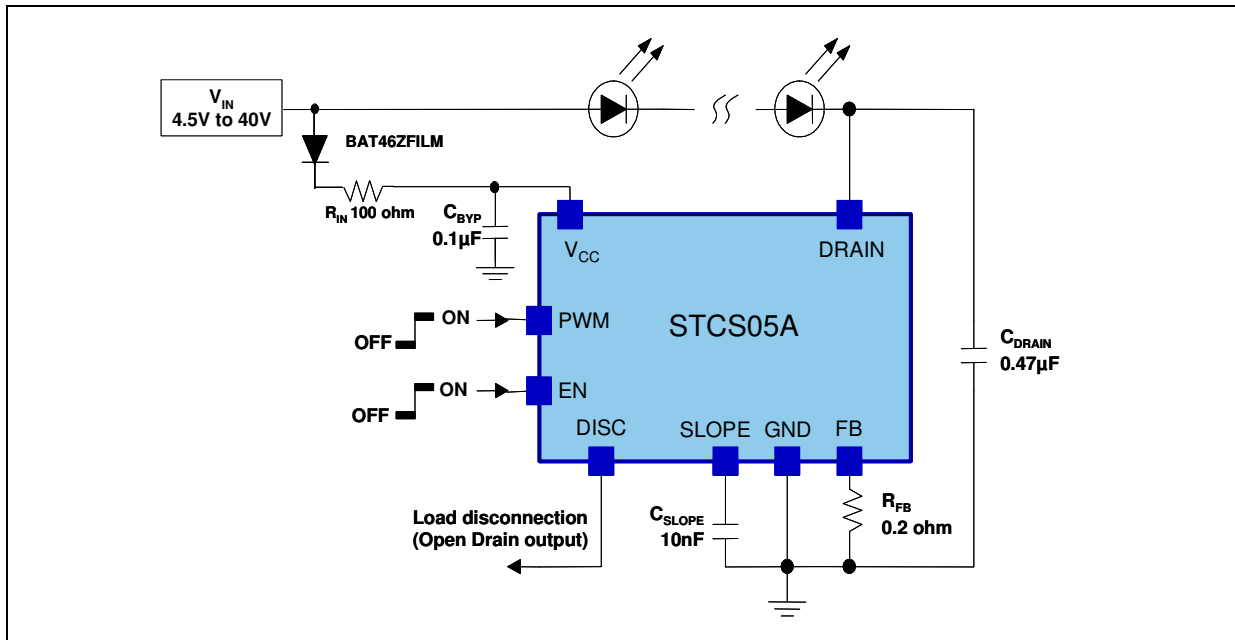
Order code	Package	Packing
STCS05ADR	SO-8	2500 parts per reel

# Contents

<b>1</b>	<b>Application diagram</b> .....	<b>3</b>
<b>2</b>	<b>Pin configuration</b> .....	<b>4</b>
<b>3</b>	<b>Maximum ratings</b> .....	<b>5</b>
<b>4</b>	<b>Electrical characteristics</b> .....	<b>6</b>
<b>5</b>	<b>Timing</b> .....	<b>7</b>
<b>6</b>	<b>Typical performance characteristics</b> .....	<b>8</b>
<b>7</b>	<b>Detail description</b> .....	<b>10</b>
	7.1 Current setting .....	10
	7.2 Enable .....	10
	7.3 PWM dimming .....	10
	7.4 Diagnostic .....	11
<b>8</b>	<b>Application information</b> .....	<b>12</b>
	8.1 Reverse polarity protection .....	12
	8.2 Thermal considerations .....	12
<b>9</b>	<b>Package mechanical data</b> .....	<b>14</b>
<b>10</b>	<b>Revision history</b> .....	<b>17</b>

# 1 Application diagram

Figure 1. Typical application diagram for 0.5 A LED current



## 2 Pin configuration

Figure 2. Pin connections (top view)

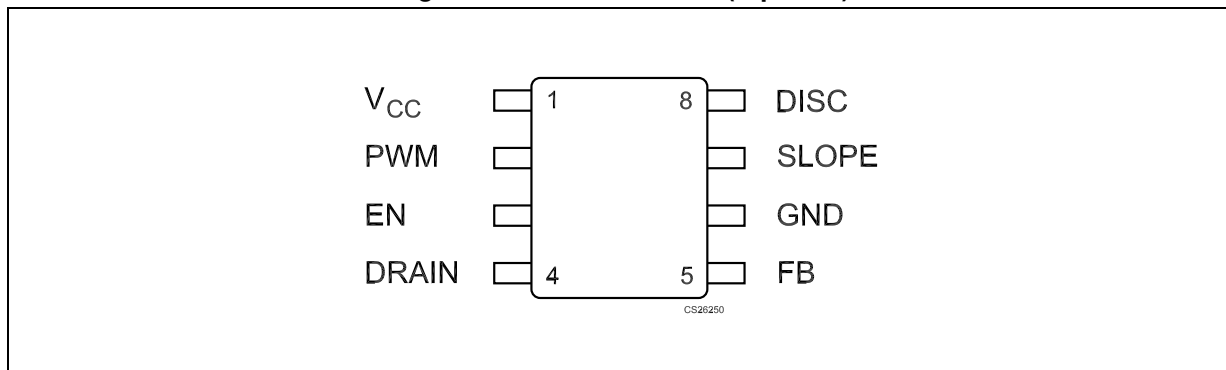


Table 2. Pin description

Pin n°	Symbol	Note
1	$V_{CC}$	Supply voltage
2	PWM	PWM dimming input
3	EN	Shutdown pin
4	DRAIN	Internal N-MOSFET drain
5	FB	Feedback input. The control loop regulates the current in such a way that the average voltage at the FB input is 100 mV (nominal). The cathode of the LED and a resistor to ground to set the LED current should be connected at this point.
6	GND	Ground
7	SLOPE	Capacitor for slope control
8	DISC	Load disconnection flag (open drain)

### 3 Maximum ratings

**Table 3. Absolute maximum ratings**

Symbol	Parameter	Value	Unit
$V_{CC}$	DC supply voltage	-0.3 to +45	V
DRAIN	Drain pin	-0.3 to +45	
PWM, EN, DISC	Logic pins	-0.3 to + $V_{CC} + 0.3$	V
SLOPE, FB	Configuration pins	-0.3 to + 3.3	V
ESD	Human body model (all pins)	$\pm 2$	kV
Power Dissipation	SO-8 $T_A = 25^\circ\text{C}$ <sup>(1)</sup>	1.25	W
$T_J$	Junction temperature	-40 to 150	$^\circ\text{C}$
$T_{STG}$	Storage temperature range	-55 to 150	$^\circ\text{C}$

1. See [Figure 16](#) for details of max power dissipation for ambient temperature higher than 25  $^\circ\text{C}$

*Note: Absolute maximum ratings are those values beyond which damage to the device may occur. Functional operation under these conditions is not implied.*

**Table 4. Thermal data**

Symbol	Parameter	SO-8	Unit
$R_{thJC}$	Thermal resistance junction-case	20	$^\circ\text{C}/\text{W}$
$R_{thJA}$	Thermal resistance junction-ambient <sup>(1)</sup>	100	$^\circ\text{C}/\text{W}$

1. This value depends from thermal design of PCB on which the device is mounted.

## 4 Electrical characteristics

**Table 5. Electrical characteristics** ( $V_{CC} = 12\text{ V}$ ;  $I_O = 100\text{ mA}$ ;  $T_J = -40\text{ °C}$  to  $125\text{ °C}$ ;  $V_{DRAIN} = 1\text{ V}$ ;  $C_{DRAIN} = 1\text{ }\mu\text{F}$ ;  $C_{BYP} = 100\text{ nF}$  typical values are at  $T_A = 25\text{ °C}$ , unless otherwise specified)

Symbol	Parameter	Test conditions	Min.	Typ.	Max.	Unit
$V_{CC}$	Supply voltage range		4.5		40	V
	Output current range		1		500	mA
$I_O$	Output current	$R_{FB} = 0.2\text{ }\Omega$		500		mA
	Regulation (percentage with respect to $V_{CC} = 12\text{ V}$ )	$V_{CC} = 4.5\text{ to }40\text{ V}$ , $I_O = 100\text{ mA}$ ; $V_{DRAIN} = 1\text{ V}$	-1		+1	%
$V_{FB}$	Feedback Voltage	$I_O = 0\text{ to }0.5\text{ A}$	90	100	110	mV
$I_{CC}$	Quiescent current (Measured on $V_{CC}$ pin)	On Mode		450	750	$\mu\text{A}$
		Shutdown Mode; $V_{CC} = 5\text{ to }12\text{ V}$			1	
		Shutdown Mode; $V_{CC} = 12\text{ to }40\text{ V}$			3	
$V_{DROP}$	Dropout voltage ( $V_{DRAIN}$ to GND)	$I_O = 100\text{ mA}$		0.12	0.16	V
		$I_O = 0.5\text{ A}$		0.58	0.9	
$LEAK_{DRAIN}$	Drain leakage current	Shutdown; $V_{DRAIN} = 40\text{ V}$			10	$\mu\text{A}$
$T_R/T_F$	Rise/Fall time of the current on PWM transition	$C_{SLOPE} = 10\text{ nF}$ , $T_J = -40\text{ °C}$ to $105\text{ °C}$		800		$\mu\text{s}$
$T_D$	Delay on PWM signal (see <a href="#">Figure 3</a> )	$V_{PWM}$ rising, $V_{CC} = 12\text{ V}$ $C_{SLOPE} = \text{floating}$		3		$\mu\text{s}$
		$V_{PWM}$ falling, $V_{CC} = 12\text{ V}$ $C_{SLOPE} = \text{floating}$		1.2		
DISC	Low level voltage	$I_{SINK} = 5\text{ mA}$		0.2	0.5	V
	Leakage current	$V_{DISC} = 5\text{ V}$			1	$\mu\text{A}$
	Load disconnection threshold ( $V_{DRAIN}$ -GND)	DISC Turn-ON			75	mV
		DISC Turn-OFF			110	
Thermal Protection	Shutdown temperature			155		$^{\circ}\text{C}$
	Hysteresis			25		
<b>Logic inputs (PWM and EN)</b>						
$V_L$	Input low level				0.4	V
$V_H$	Input high level		1.2			V
	EN, PWM leakage current	$V_{EN} = 5\text{ V}$ ; $V_{PWM} = 5\text{ V}$			2	$\mu\text{A}$
	EN input leakage current	$V_{EN} = 40\text{ V}$			60	
	PWM input leakage current	$V_{PWM} = 40\text{ V}$			120	

Note: All devices 100 % production tested at  $T_A = 25\text{ °C}$ . Limits over the operating temperature range are guaranteed by design.

# 5 Timing

Figure 3. PWM and output current timing

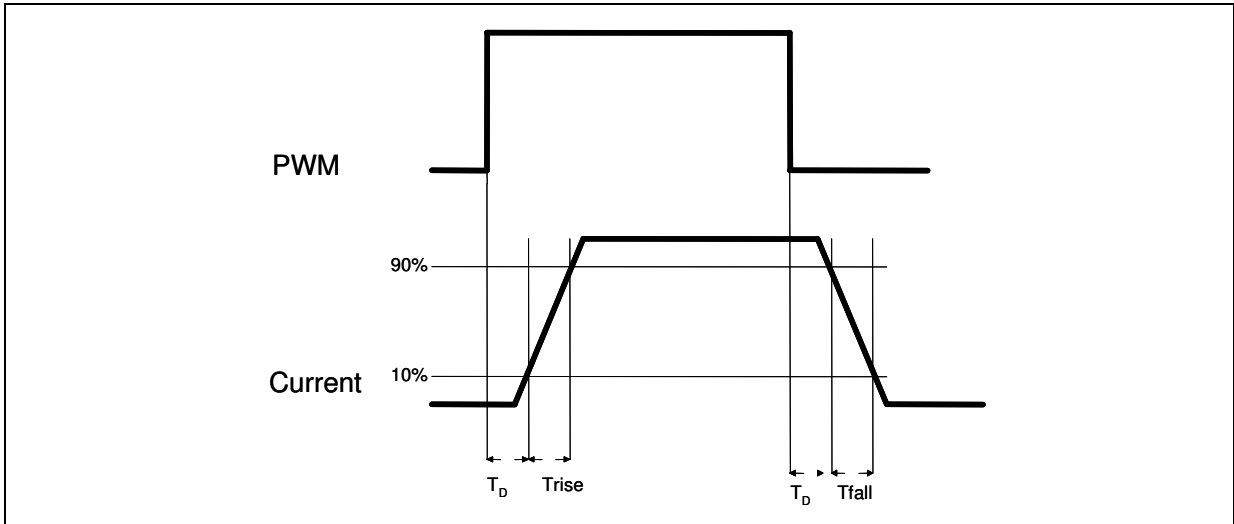
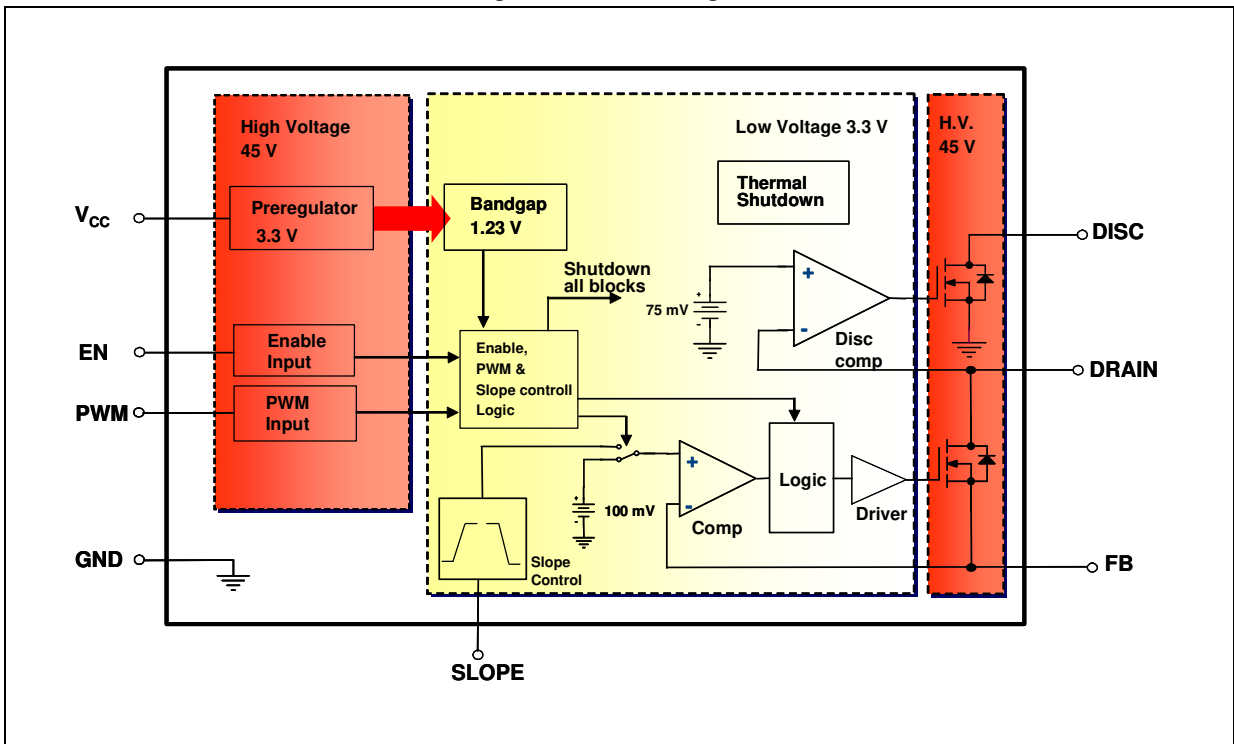
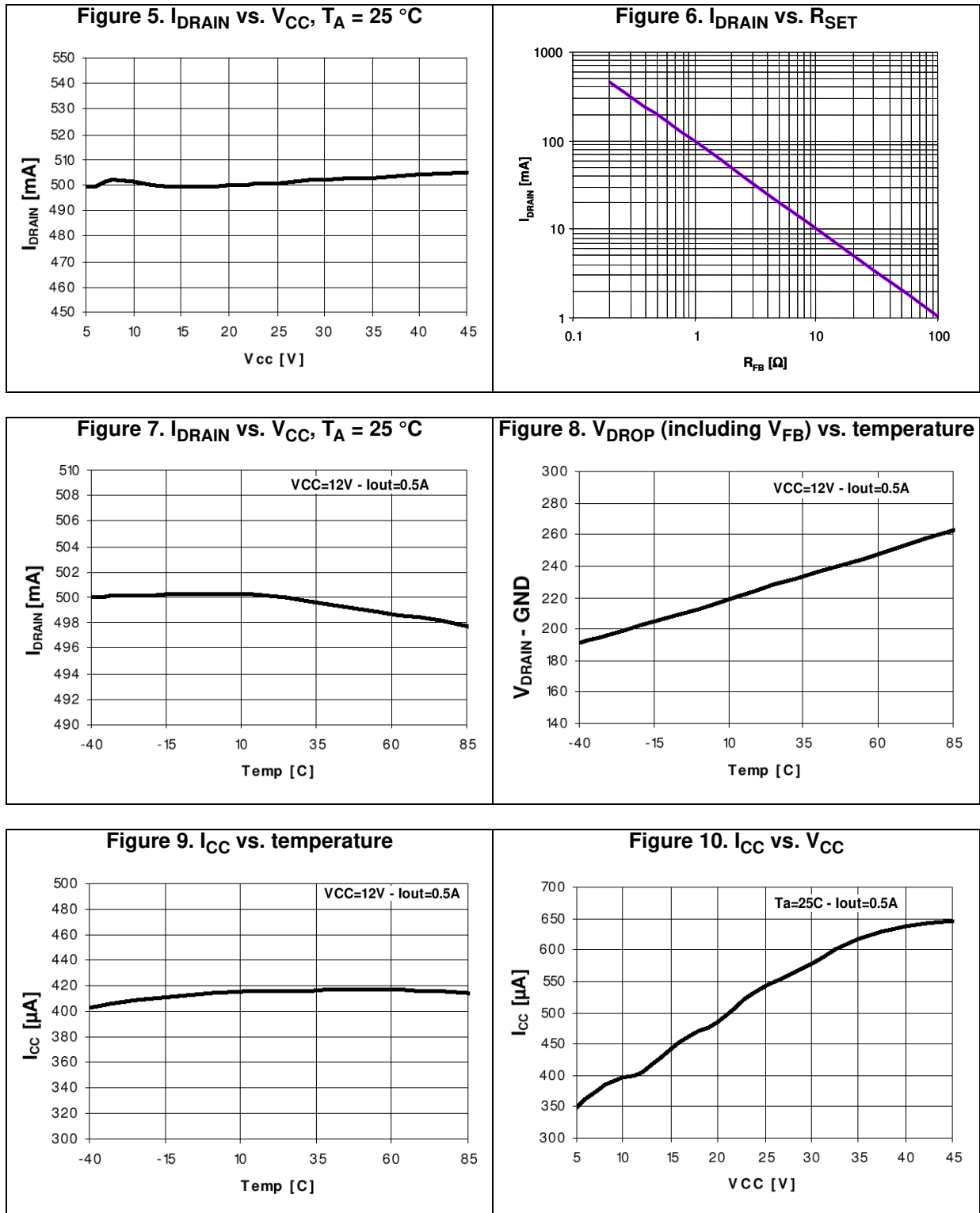


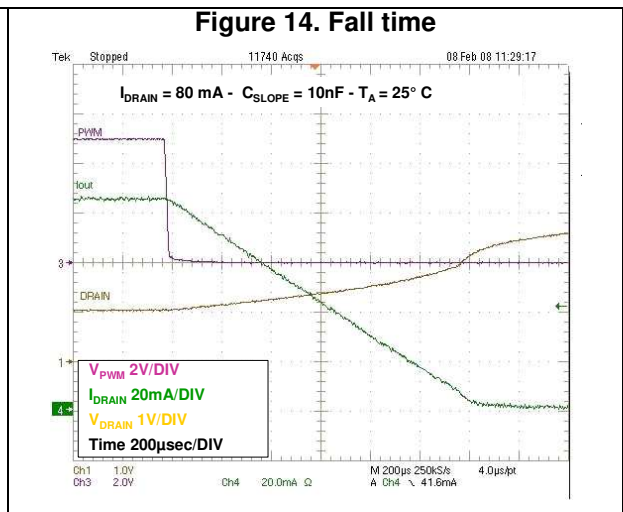
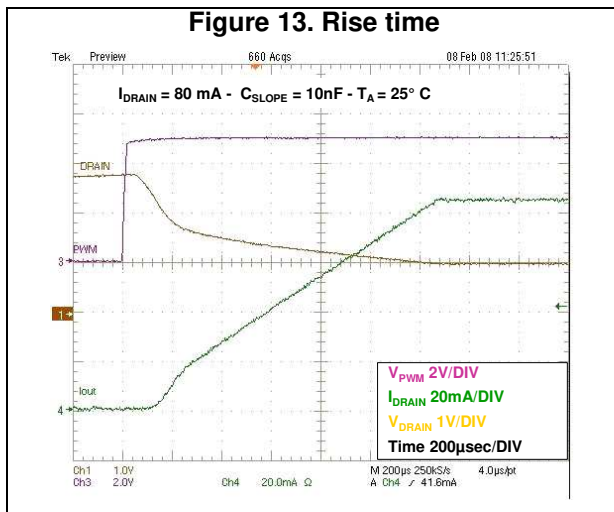
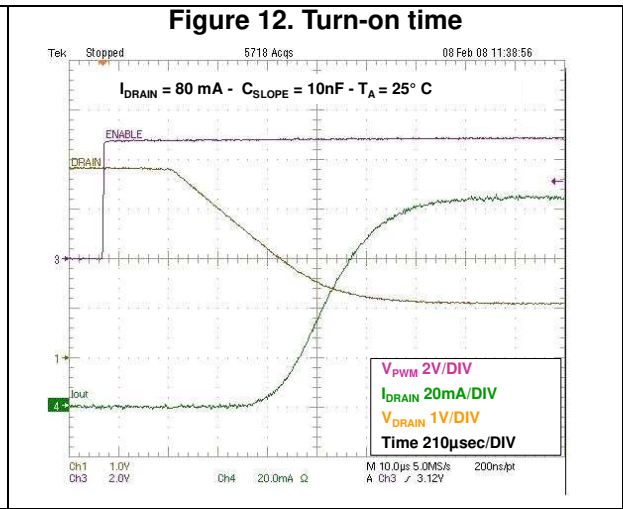
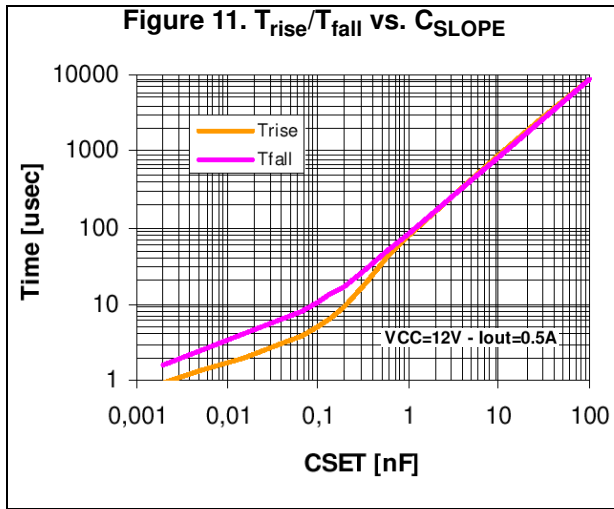
Figure 4. Block diagram



## 6 Typical performance characteristics







## 7 Detail description

The STCS05A is a BiCMOS constant current source designed to provide a precise constant current starting from a varying input voltage source. The main target is to replace discrete components solution for driving LEDs in low voltage applications such as 5 V, 12 V or 24 V giving benefits in terms of precision, integration and reliability.

### 7.1 Current setting

The current is set with an external sensing resistor connected to the FB pin. The feedback voltage is 100 mV, then a low resistor value can be chosen reducing power dissipation. A value between 1 mA and 500 mA can be set according to the resistor value, the resulting output current has a tolerance of  $\pm 10\%$ .

For instance, should one need a 350 mA LEDs current,  $R_F$  should be selected according to the following equation:

$$R_F = V_{FB} / I_{LEDs} = 100 \text{ mV} / 350 \text{ mA} = 284 \text{ m}\Omega$$

### 7.2 Enable

When the enable pin is low the device completely off thus reducing current consumption to less than 1  $\mu$ A. When in shutdown mode, the internal main switch is off.

### 7.3 PWM dimming

The PWM input allows implementing PWM dimming on the LED current; when the PWM input is high the main switch will be on and vice versa. A typical frequency range for the input is from few Hertz to 50 kHz. The maximum dimming frequency is limited by the minimum rise/fall time of the current (obtained with  $C_{SLOPE} = 0$ ) which is around 4  $\mu$ s each. Above 50 kHz the current waveforms starts assuming a triangular shape.

While the PWM input is switching, the overall circuitry remains on, this is needed in order to implement two important features: short delay time and controlled slope for the current.

Since the PWM pin is controlling just the main switch, the overall circuitry is always on and it is able to control the delay time between the PWM input signal and the output current in the range of few  $\mu$ s, this is important to implement synchronization among several light LED sources.

The rise and fall slope of the current is controlled by the  $C_{SLOPE}$  capacitor. The rise and fall time are linear dependent from the  $C_{SLOPE}$  capacitor value (see graph in typical characteristics). A controlled rise time has two main benefits: reducing EMI noise and avoid current spike at turn on.

When  $C_{SLOPE}$  is left floating, the internal switch is turned on at maximum speed, in this condition an overshoot can be present on the LED current before the system goes into regulation.

## 7.4 Diagnostic

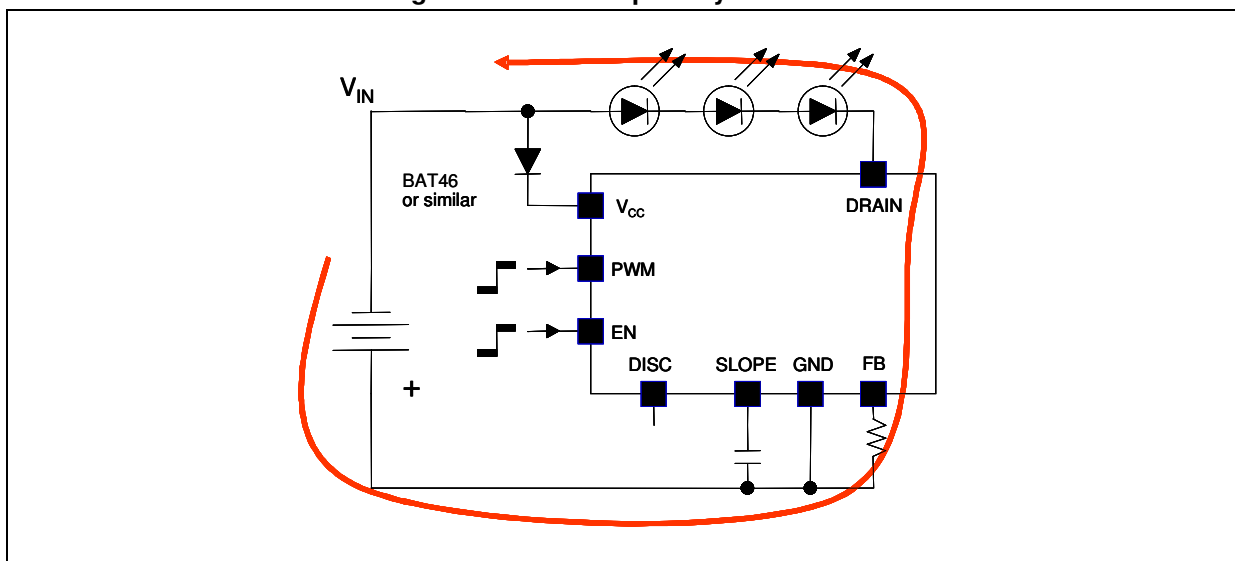
When STCS05A is in on mode (EN is high), the device is able to detect disconnection or fail of the LED string monitoring  $V_{\text{DRAIN}}$  pin. If  $V_{\text{DRAIN}}$  is lower than 75 mV the DISC pin is pulled low regardless the PWM pin status. This information can be used by the system to inform that some problem happens in the LEDs.

## 8 Application information

### 8.1 Reverse polarity protection

STCS05A must be protected from reverse connection of the supply voltage. Since the current sunk from  $V_{CC}$  pin is in the range of  $450 \mu\text{A}$  a small diode connected to  $V_{CC}$  is able to protect the chip. Care must be taken for the whole application circuit, especially for the LEDs, in fact, in case a negative voltage is applied between  $V_{IN}$  and GND, a negative voltage will be applied to the LED string that must have a total breakdown voltage higher than the negative applied voltage in order to avoid any damage.

Figure 15. Reverse polarity condition



### 8.2 Thermal considerations

The STCS05A is able to control a LED current up to 500 mA and able to sustain a voltage on the drain pin up to 40 V. Those operating conditions are however limited by thermal constraints, the thermal resistances shown in the thermal data section is the typical ones.

The power dissipation in the device can be calculated as follow:

$$P_D = (V_{DRAIN} - V_{FB}) \times I_{LED} + (V_{CC} \times I_{CC})$$

basing on this and on the thermal resistance and ambient temperature, the junction temperature can be calculated as:

$$T_J = R_{thJA} \times P_D + T_A$$

A typical application could be:

- Input voltage: 12 V;
- 3 white LEDs with an typical  $V_F = 3.6 \text{ V}$ ;
- LEDs current: 350 mA;
- Package: SO-8;

$$- T_A = 50 \text{ }^\circ\text{C};$$

$$\text{In this case } V_{\text{DRAIN}} = 12 - 3 \times 3.6 = 1.2 \text{ V}$$

$$P_D = (1.2 - 0.1) \times 0.35 + 12 \times 0.5 \times 10^{-3} = 0.385 + 6 \times 10^{-3} = 391 \text{ mW}$$

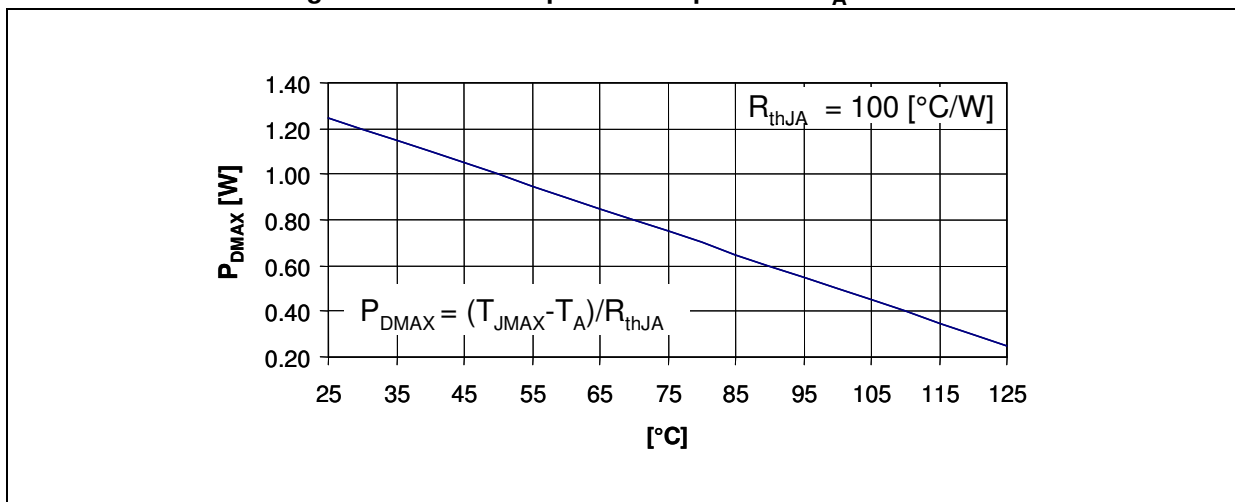
The junction temperature will be:

$$T_J = 100 \times 0.391 + 50 = 89 \text{ }^\circ\text{C}$$

For a correct operation of the chip, in this example the ambient temperature must not exceed about 110 °C.

The following pictures show the maximum power dissipation according to the ambient temperature:

Figure 16. Maximum power dissipation vs  $T_A$  for SO-8

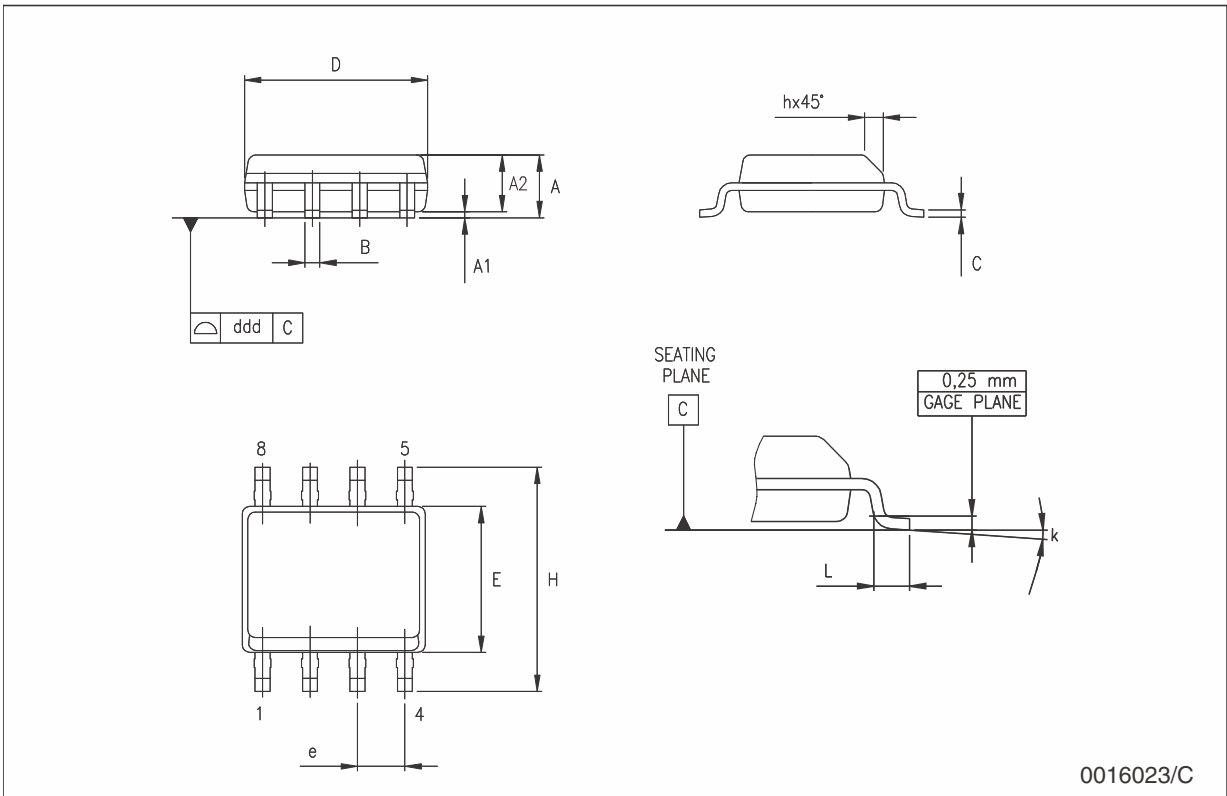


## 9 Package mechanical data

In order to meet environmental requirements, ST offers these devices in different grades of ECOPACK<sup>®</sup> packages, depending on their level of environmental compliance. ECOPACK<sup>®</sup> specifications, grade definitions and product status are available at: [www.st.com](http://www.st.com). ECOPACK<sup>®</sup> is an ST trademark.

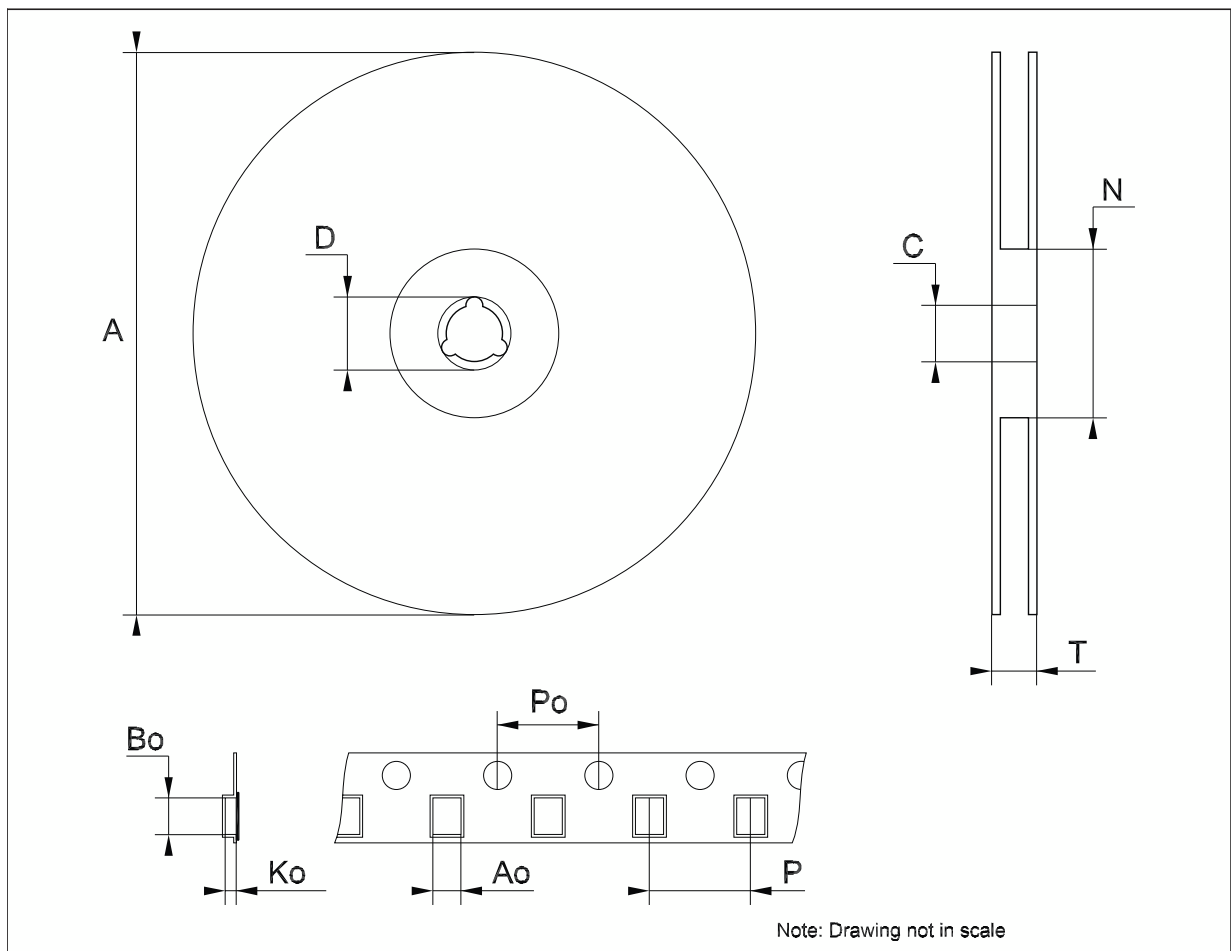
**SO-8 mechanical data**

Dim.	mm.			inch.		
	Min.	Typ.	Max.	Min.	Typ.	Max.
A	1.35		1.75	0.053		0.069
A1	0.10		0.25	0.04		0.010
A2	1.10		1.65	0.043		0.065
B	0.33		0.51	0.013		0.020
C	0.19		0.25	0.007		0.010
D	4.80		5.00	0.189		0.197
E	3.80		4.00	0.150		0.157
e		1.27			0.050	
H	5.80		6.20	0.228		0.244
h	0.25		0.50	0.010		0.020
L	0.40		1.27	0.016		0.050
k	8° (max.)					
ddd			0.1			0.04



**Tape & reel SO-8 mechanical data**

Dim.	mm.			inch.		
	Min.	Typ.	Max.	Min.	Typ.	Max.
A			330			12.992
C	12.8		13.2	0.504		0.519
D	20.2			0.795		
N	60			2.362		
T			22.4			0.882
Ao	8.1		8.5	0.319		0.335
Bo	5.5		5.9	0.216		0.232
Ko	2.1		2.3	0.082		0.090
Po	3.9		4.1	0.153		0.161
P	7.9		8.1	0.311		0.319





## 10 Revision history

**Table 6. Document revision history**

Date	Revision	Changes
04-Mar-2008	1	Initial release.
02-Jul-2008	2	Modified: Table 5 on page 6.
20-Jan-2022	3	Updated: Applications on the cover page.
21-Apr-2022	4	Updated: Power dissipation value in <a href="#">Table 3</a> and <a href="#">Section 8.2</a> .

**IMPORTANT NOTICE – PLEASE READ CAREFULLY**

STMicroelectronics NV and its subsidiaries (“ST”) reserve the right to make changes, corrections, enhancements, modifications, and improvements to ST products and/or to this document at any time without notice. Purchasers should obtain the latest relevant information on ST products before placing orders. ST products are sold pursuant to ST’s terms and conditions of sale in place at the time of order acknowledgement.

Purchasers are solely responsible for the choice, selection, and use of ST products and ST assumes no liability for application assistance or the design of Purchasers’ products.

No license, express or implied, to any intellectual property right is granted by ST herein.

Resale of ST products with provisions different from the information set forth herein shall void any warranty granted by ST for such product.

ST and the ST logo are trademarks of ST. For additional information about ST trademarks, please refer to [www.st.com/trademarks](http://www.st.com/trademarks). All other product or service names are the property of their respective owners.

Information in this document supersedes and replaces information previously supplied in any prior versions of this document.

© 2022 STMicroelectronics – All rights reserved