

## FEATURES

- 2xQ output, Q/2 output,  $\overline{Q}$  output
- Outputs tri-state while  $\overline{RST}$  low
- Internal loop filter RC network
- Low noise TTL level outputs
- < 500ps output skew, Q0-Q4
- PLL disable feature for low frequency testing
- Balanced Drive Outputs  $\pm 24\text{mA}$
- 132MHz maximum frequency (2xQ output)
- Pin compatible with Motorola MC88915
- ESD > 2000V
- Latch-up > -300mA
- Space saving 28-pin QSOP and PLCC packages

## DESCRIPTION

The QS5917T-T Clock Driver uses an internal phase locked loop (PLL) to lock low skew outputs to one of two reference clock inputs. Eight outputs are available: Q0-Q4, 2xQ, Q/2,  $\overline{Q5}$ . Careful layout and design insures < 500ps skew between the Q4-Q0, and Q/2 outputs. The QS5917T-T includes an internal RC filter which provides excellent jitter characteristics and eliminates the need for external components. In addition, TTL level outputs reduce clock signal noise. Various combinations of feedback and a divide-by-2 in the VCO path allow applications to be customized for linear VCO operation over a wide range of input SYNC frequencies. The VCO can also be disabled by the PLL\_EN signal to allow low frequency or DC testing. The LOCK output asserts to indicate when phase lock has been achieved. The QS5917T-T is designed for use in high-performance workstations, multi-board computers, networking hardware, and mainframe systems. Several can be used in parallel or scattered throughout a system for guaranteed low skew, system-wide clock distribution networks.

For more information on PLL clock driver products, see Application Note AN-22A.

**Figure 1. Functional Block Diagram**

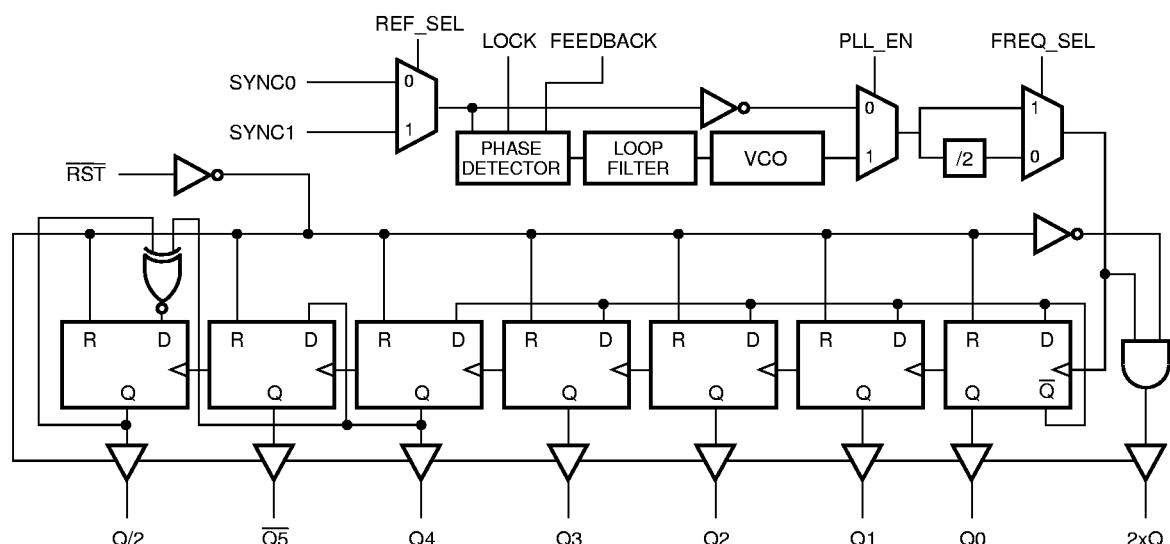


Figure 2. Pin Configuration (All Pins Top View)

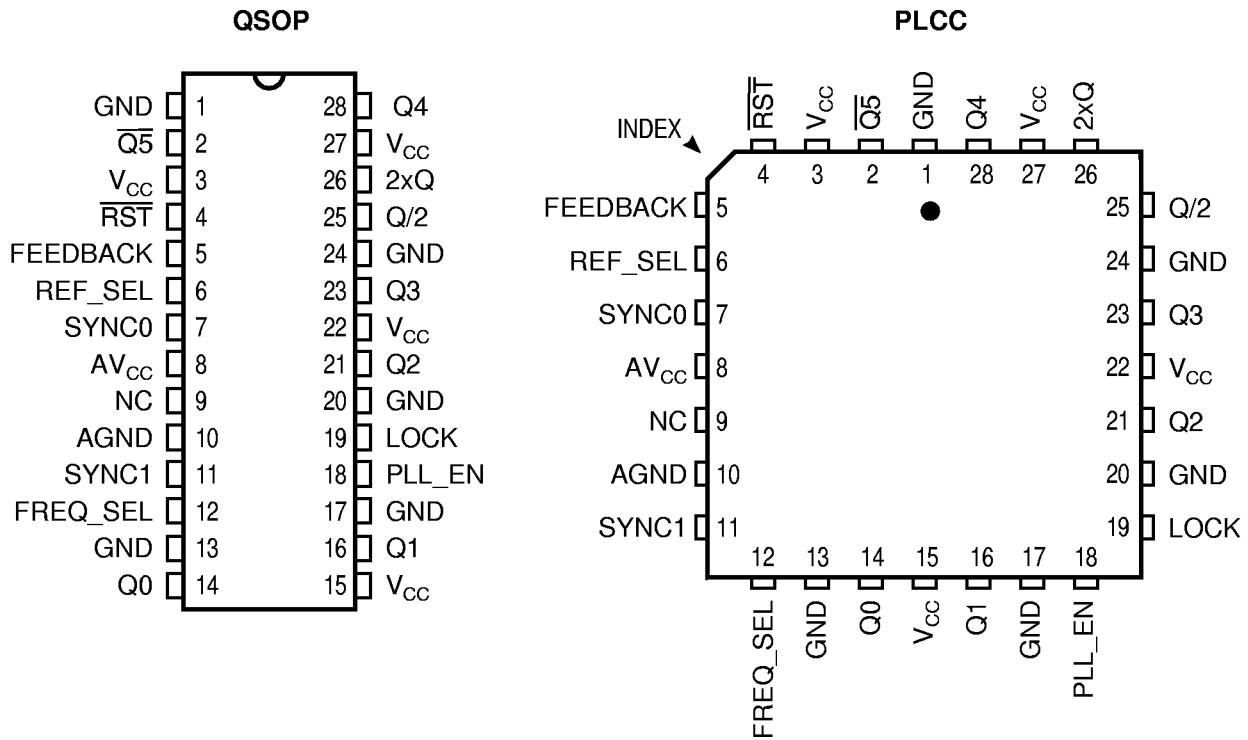


Table 1. Pin Descriptions

Pin Name	I/O	Functional Description
SYNC0	I	Reference clock input
SYNC1	I	Reference clock input
REF_SEL	I	Reference clock select. When 1, selects SYNC1. When 0, selects SYNC0.
FREQ_SEL	I	VCO frequency select. For choosing optimal VCO operating frequency depending on input frequency.
FEEDBACK	I	PLL feedback input which is connected to a user selected output pin. External feedback provides flexibility for different output frequency relationships. See the Frequency Selection Table for more information.
Q0-Q4	O	Clock outputs
$\overline{Q5}$	O	Clock output. Matched in frequency, but inverted with respect to Q.
2xQ	O	Clock output. Matched in phase, but frequency is double the Q frequency.
Q/2	O	Clock output. Matched in phase, but frequency is half the Q frequency.
LOCK	O	PLL lock indication signal. 1 indicates positive lock. 0 indicates that the PLL is not locked and outputs may not be synchronized to the inputs.
$\overline{RST}$	I	Asynchronous reset. Resets all output registers. When 0, all outputs are held in a tri-stated condition. When 1, outputs are enabled (normal operation).
PLL_EN	I	PLL enable. When 1, PLL is enabled (normal operation). When 0, PLL is disabled (for testing purposes).
NC	—	No Connection

**Table 2. Absolute Maximum Ratings**

Supply Voltage to Ground .....	-0.5V to +7.0V
DC Input Voltage $V_{IN}$ .....	-0.5V to +7.0V
AC Input Voltage (for a pulse width $\leq 20$ ns) .....	-3.0V
Maximum Power Dissipation .....	1.2 watts
$T_{STG}$ Storage Temperature .....	-65° to +150°C

**Note:** Stresses greater than those listed under ABSOLUTE MAXIMUM RATINGS may cause permanent damage to QSI devices that result in functional or reliability type failures.

**Table 3. Output Frequency Specifications**

Industrial:  $T_A = -40^\circ\text{C}$  to  $+85^\circ\text{C}$ ,  $V_{CC} = 5.0\text{V} \pm 5\%$ .

Symbol	Description	-70	-100	-132	Units
F2xQ	Maximum frequency, 2xQ output	70	100	132	MHz
FQ	Maximum frequency, Q0-Q4, $\overline{Q5}$ outputs	35	50	66	MHz
FQ/2	Maximum frequency, Q/2 output	17.5	25	33	MHz

3

**Table 4. Frequency Selection Table**

FREQ_SEL	Output Used for Feedback	Allowable SYNC <sup>(1)</sup> Range (MHz)		Output Frequency Relationships			
		Min	Max	Q/2	$\overline{Q5}$	Q Outputs	2xQ
1	Q/2	5	$F_{2xQ} \div 4$	SYNC	$-(\text{SYNC} \times 2)$	$\text{SYNC} \times 2$	$\text{SYNC} \times 4$
1	Q4-Q0	10	$F_{2xQ} \div 2$	$\text{SYNC} \div 2$	-SYNC	SYNC	$\text{SYNC} \times 2$
1	$\overline{Q5}$	10	$F_{2xQ} \div 2$	$-\text{SYNC} \div 2$	SYNC	-SYNC	$-\text{SYNC} \times 2$
1	2xQ	20	$F_{2xQ}^{(2)}$	$\text{SYNC} \div 4$	$-(\text{SYNC} \div 2)$	$\text{SYNC} \div 2$	SYNC
0	Q/2	2.5	$F_{2xQ} \div 8$	SYNC	$-(\text{SYNC} \times 2)$	$\text{SYNC} \times 2$	$\text{SYNC} \times 4$
0	Q4-Q0	5	$F_{2xQ} \div 4$	$\text{SYNC} \div 2$	-SYNC	SYNC	$\text{SYNC} \times 2$
0	$\overline{Q5}$	5	$F_{2xQ} \div 4$	$-\text{SYNC} \div 2$	SYNC	-SYNC	$-\text{SYNC} \times 2$
0	2xQ	10	$F_{2xQ} \div 2$	$\text{SYNC} \div 4$	$-(\text{SYNC} \div 2)$	$\text{SYNC} \div 2$	SYNC

**Notes:**

1. Operation in the specified SYNC frequency range guarantees that the VCO will operate in optimal range of 20MHz to  $F_{2xQMAX}$ . Operation with Sync inputs outside specified frequency ranges may result in invalid or out-of-lock outputs. FREQ\_SEL only affects VCO frequency and does not affect output frequencies.
2. For the -132 speed grade, maximum input frequency is restricted to 100MHz.

**Table 5. Capacitance**

$T_A = 25^\circ\text{C}$ ,  $f = 1\text{MHz}$ ,  $V_{IN} = 0\text{V}$ ,  $V_{OUT} = 0\text{V}$

Pins	QSOP		PLCC		Unit
	Typ	Max	Typ	Max	
$C_{IN}$	3	4	4	6	pF
$C_{OUT}$	7	9	8	10	pF

**Note:** Capacitance is characterized but not tested.

**Table 6. DC Electrical Characteristics Over Operating Range**

Industrial:  $T_A = -40^{\circ}\text{C}$  to  $+85^{\circ}\text{C}$ ,  $V_{CC} = 5.0\text{V} \pm 5\%$

Symbol	Parameter	Test Conditions	Min	Max	Unit
$V_{IH}$	Input HIGH Voltage	Guaranteed Logic HIGH Level	2.0	—	V
$V_{IL}$	Input LOW Voltage	Guaranteed Logic LOW Level	—	0.8	V
$V_{OH}$	Output HIGH Voltage	$V_{CC} = \text{Min.}, I_{OH} = -24\text{mA}^{(1)}$	2.4	—	V
		$V_{CC} = \text{Min.}, I_{OH} = -100\mu\text{A}$	3.0	—	V
$V_{OL}$	Output LOW Voltage	$V_{CC} = \text{Min.}, I_{OL} = 24\text{mA}^{(1)}$	—	0.55	V
		$V_{CC} = \text{Min.}, I_{OL} = 100\mu\text{A}$	—	0.2	V
$ I_{OZ} $	Output Leakage Current	$V_{OUT} = V_{CC}$ or $V_{OUT} = \text{GND}$ , $V_{CC} = \text{Max.}$	—	5	$\mu\text{A}$
$ I_{IN} $	Input Leakage Current	$V_{CC} = \text{Max.}, V_{IN} = V_{CC}$ or $V_{IN} = \text{GND}$	—	5	$\mu\text{A}$

**Notes:**

1.  $I_{OL}$  and  $I_{OH}$  are 12mA and  $-12\text{mA}$ , respectively, for the LOCK output.

**Table 7. Power Supply Characteristics**

Symbol	Parameter	Test Conditions <sup>(1)</sup>	Typ	Max	Unit
$\Delta I_{CC}$	Input Power Supply Current per TTL Input HIGH <sup>(2)</sup>	$V_{CC} = \text{Max.}, V_{IN} = 3.4\text{V}$	0.4	1.5	mA
$I_{CCD}$	Dynamic Power Supply Current <sup>(3)</sup>	$V_{CC} = \text{Max.}$	—	0.4	mA/MHz

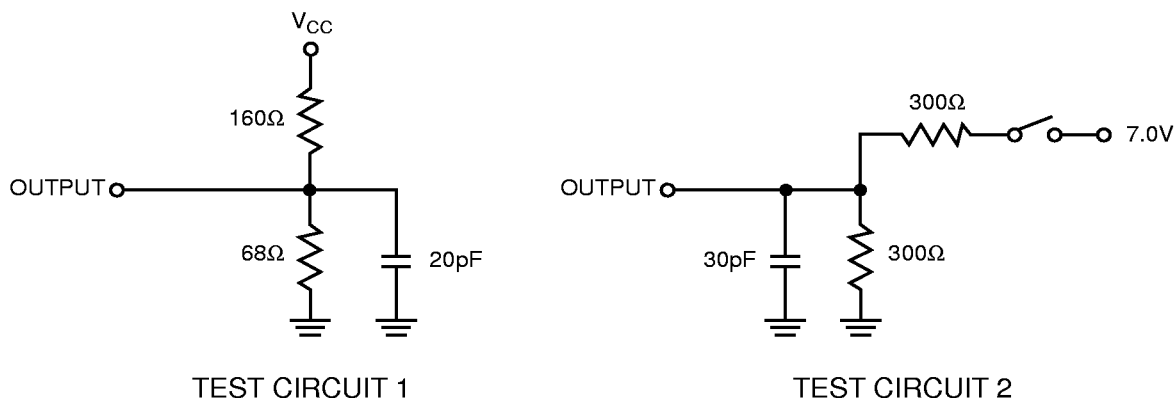
**Notes:**

1. For conditions shown as Min. or Max., use the appropriate values specified under DC specifications.
2. This specification does not apply to the PLL\_EN input.
3. Guaranteed but not tested.
4. For all DC parameters, test conditions also assume no output loading.

**Figure 2. Test Load**

Test Circuit #2 is used for output enable/disable parameters.

Test Circuit #1 is used for all other timing parameters.



**Table 8. Switching Characteristics Over Operating Range**Industrial:  $T_A = -40^\circ\text{C}$  to  $+85^\circ\text{C}$ ,  $V_{CC} = 5.0\text{V} \pm 5\%$ 

Symbol	Description <sup>(1)</sup>	QS5917T-T		Unit
		Min	Max	
$t_{SKR}$	Output Skew Between Rising Edges, Q0-Q4 and Q/2 <sup>(2,3)</sup>	—	350	ps
$t_{SKF}$	Output Skew Between Falling Edges, Q0-Q4 <sup>(2,3)</sup>	—	350	ps
$t_{SKALL}$	Output Skew, All Outputs <sup>(2,3)</sup>	—	500	ps
$t_{PW}$	Pulse Width, 2xQ Outputs <sup>(2)</sup>	$T_{CY}/2-0.5$	$T_{CY}/2+0.5$	ns
$t_{PW}$	Pulse Width, Q0-Q4, $\overline{Q5}$ , Q/2 Outputs <sup>(2)</sup>	$T_{CY}/2-0.5$	$T_{CY}/2+0.5$	ns
$t_J$	Cycle to Cycle Jitter, 33MHz <sup>(2,5)</sup>	—	0.25	ns
$t_{PD}$	SYNC Input to Feedback Delay, 10MHz	-100	400	ps
$t_{PD}$	SYNC Input to Feedback Delay, 33MHz, 50 $\Omega$ to 1.5V <sup>(2)</sup>	-100	400	ps
$t_{LOCK}$	SYNC to Phase Lock	—	10	ms
$t_{PZH}$ $t_{PZL}$	Output Enable Time, $\overline{RST}$ LOW to HIGH <sup>(4)</sup>	0	7	ns
$t_{PHZ}$ $t_{PLZ}$	Output Disable Time, $\overline{RST}$ HIGH to LOW <sup>(2,4)</sup>	0	6	ns
$t_R, t_F$	Output Rise and Fall Times, 0.8V to 2.0V <sup>(2)</sup>	0.4	1.5	ns

**Notes:**

1. See Test Circuit and Waveforms. Minimums guaranteed but not tested.
2. This parameter is guaranteed by design but not tested.
3. Skew specifications apply under identical environments (loading, temperature,  $V_{CC}$ , device speed grade).
4. Measured in open loop mode PLL\_EN = 0.
5. Jitter is characterized using an oscilloscope. Measurement is taken one cycle after jitter. Jitter is characterized but not tested. See FREQUENCY SELECTION TABLE for information on proper FREQ\_SEL level for specified input frequencies.

**Table 9. Input Timing Requirements**Industrial:  $T_A = -40^\circ\text{C}$  to  $+85^\circ\text{C}$ ,  $V_{CC} = 5.0\text{V} \pm 5\%$ 

Symbol	Description <sup>(1)</sup>	QS5917T-T		Unit
		Min	Max	
$t_R, t_F$	Maximum Input Rise and Fall Times, 0.8V to 2.0V	—	3.0	ns
$F_I$	Input Clock Frequency, SYNC0, SYNC1 <sup>(2)</sup>	5	F2xQ	MHz
$t_{PWC}$	Input Clock Pulse, HIGH or LOW	2	—	ns
$D_H$	Duty Cycle, SYNC0, SYNC1	25%	75%	%

**Notes:**

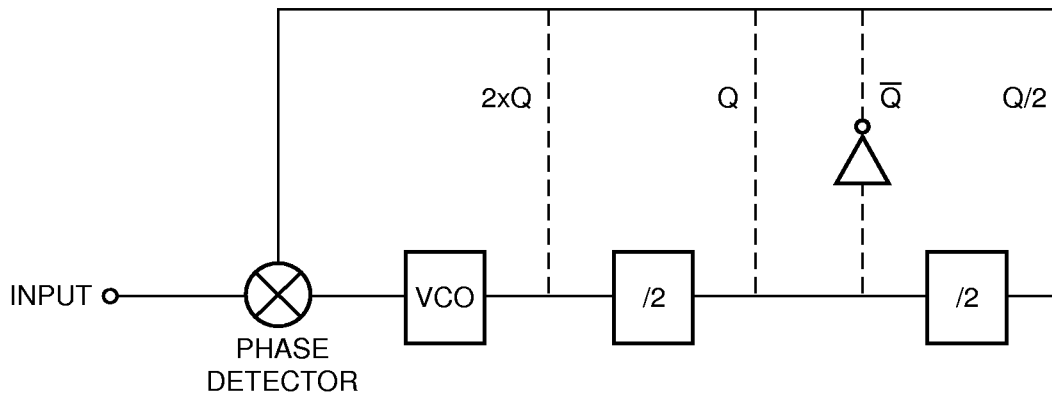
1. See Test Circuit and Waveforms. Minimums guaranteed but not tested.
2. The  $F_I$  specification is based on Q output feedback. See FREQUENCY SELECTION TABLE for more detail on allowable SYNC input frequencies for different feedback combinations.

**PLL Operation**

The Phase Locked Loop (PLL) circuit included in the QS5917T-T provides for replication of incoming SYNC clock signals. Any manipulation of that signal, such as frequency multiplying or inversion is performed by digital logic following the PLL (see the block dia-

gram). The key advantage of the PLL circuit is to provide an effective zero propagation delay between the output and input signals. In fact, adding delay circuits in the feedback path, 'propagation delay' can even be negative! Figure 3 shows a simplified schematic of the QS5917T-T PLL circuit:

**Figure 3. Simplified diagram of QS5917T-T feedback**



The phase difference between the output and the input frequencies feeds the VCO which drives the outputs. Whichever output is fed back, it will stabilize at the same frequency as the input. Hence, this is a true negative feedback closed loop system. In most applications, the output will optimally have zero phase shift with respect to the input. In fact, the internal loop filter on the QS5917T-T typically provides within 150ps of phase shift between input and output.

If the user wishes to vary the phase difference (typically to compensate for backplane delays), this is most easily accomplished by adding delay circuits to the feedback path. The repetitive output used for feedback will be advanced by the amount of delay in the feedback path. All other outputs will retain their proper relationships to that output.