



OCTAL BUS TRANSCEIVER WITH 3-STATE OUTPUTS (INVERTING AND NONINVERTING)

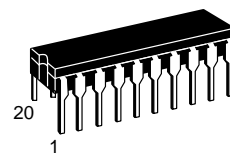
The MC74F620 is an octal bus transceiver featuring inverting 3-state bus-compatible outputs in both send and receive directions. The B_N outputs are capable of sinking 64 mA and sourcing up to 15 mA, providing very good capacitive drive characteristics. The MC74F623 is a non-inverting version of the MC74F620. These octal bus transceivers are designed for asynchronous two-way communication between data busses. The control function implementation allows for maximum flexibility in timing. These devices allow data transmission from the A bus to the B bus or from B bus to A bus, depending upon the logic levels at the Enable inputs (OEBA and OEAB). The Enable inputs can be used to disable the device so that the busses are effectively isolated. The dual-enable configuration gives the MC74F620 and MC74F623 the capability to store data by the simultaneous enabling of OEBA and OEAB. Each output reinforces its input in this transceiver configuration. Thus, when both control inputs are enabled and all other data sources to the two sets of the bus lines are at high impedance, both sets of bus lines (16 in all) will remain at their last states.

- High Impedance NPN base inputs for reduced loading (70 μ A in High and Low states)
- Ideal for Applications which Require High Output drive and minimal bus loading
- Octal Bidirectional Bus Interface
- 3-State Buffer Outputs Sink 64 mA and Source 15 mA
- – F620 Inverting
– F623 Noninverting
- ESD Protection > 4000 Volts

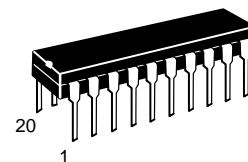
**MC74F620
MC74F623**

**OCTAL BUS TRANSCEIVER
WITH 3-STATE OUTPUTS
(INVERTING AND NONINVERTING)**

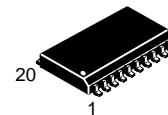
FAST™ SCHOTTKY TTL



**J SUFFIX
CERAMIC
CASE 732-03**



**N SUFFIX
PLASTIC
CASE 738-03**

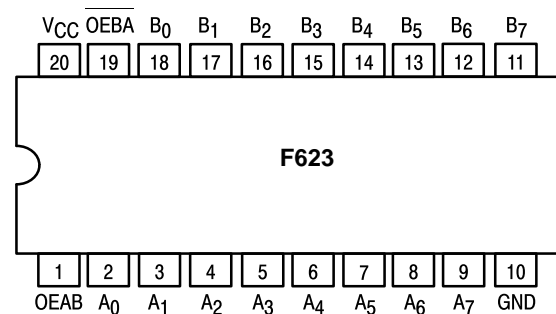
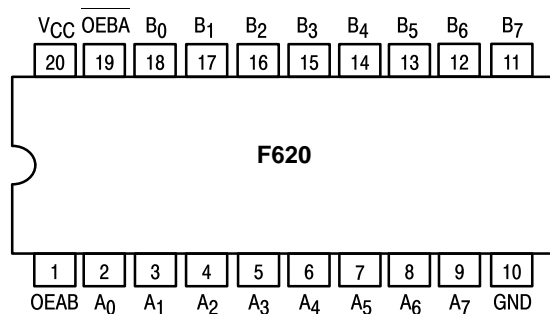


**DW SUFFIX
SOIC
CASE 751D-03**

ORDERING INFORMATION

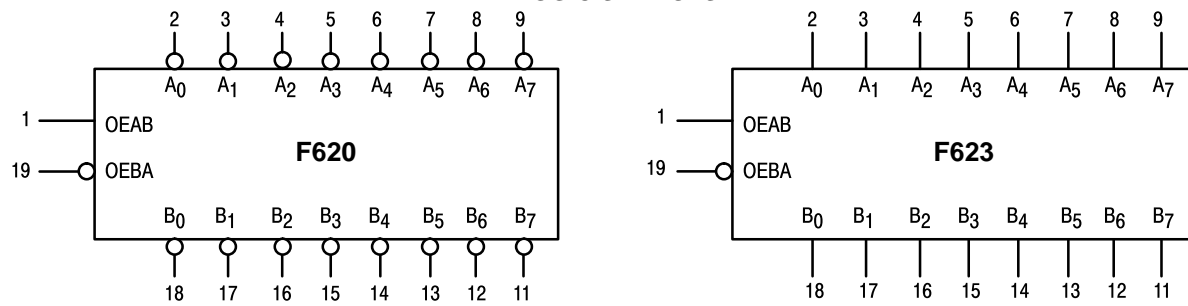
MC74FXXXJ	Ceramic
MC74FXXXN	Plastic
MC74FXXXDW	SOIC

PIN ASSIGNMENTS



MC74F620 • MC74F623

LOGIC SYMBOLS



FUNCTION TABLE

Inputs		Operating Modes	
OEBA	OEAB	F620	F623
L	L	B data to A bus	B data to A bus
H	H	A data to B bus	A data to B bus
H	L	Z	Z
L	H	B data to A bus A data to B bus	B data to A bus A data to B bus

H = HIGH voltage level; L = LOW voltage level; X = Don't care; Z = High impedance "off" state

GUARANTEED OPERATING RANGES

Symbol	Parameter		Limits			Unit	
			Min	Typ	Max		
V_{CC}	DC Supply Voltage	74	4.5	5.0	5.5	V	
T_A	Operating Ambient Temperature Range	74	0	25	70	°C	
I_{OH}	Output Current — High	A_n Outputs	74	—	—	-3.0	mA
I_{OH}	Output Current — High	B_n Outputs	74	—	—	-15	mA
I_{OL}	Output Current — Low	A_n Outputs	74	—	—	24	mA
I_{OL}	Output Current — Low	B_n Outputs	74	—	—	64	mA

MC74F620 • MC74F623

DC CHARACTERISTICS OVER OPERATING TEMPERATURE RANGE (unless otherwise specified)

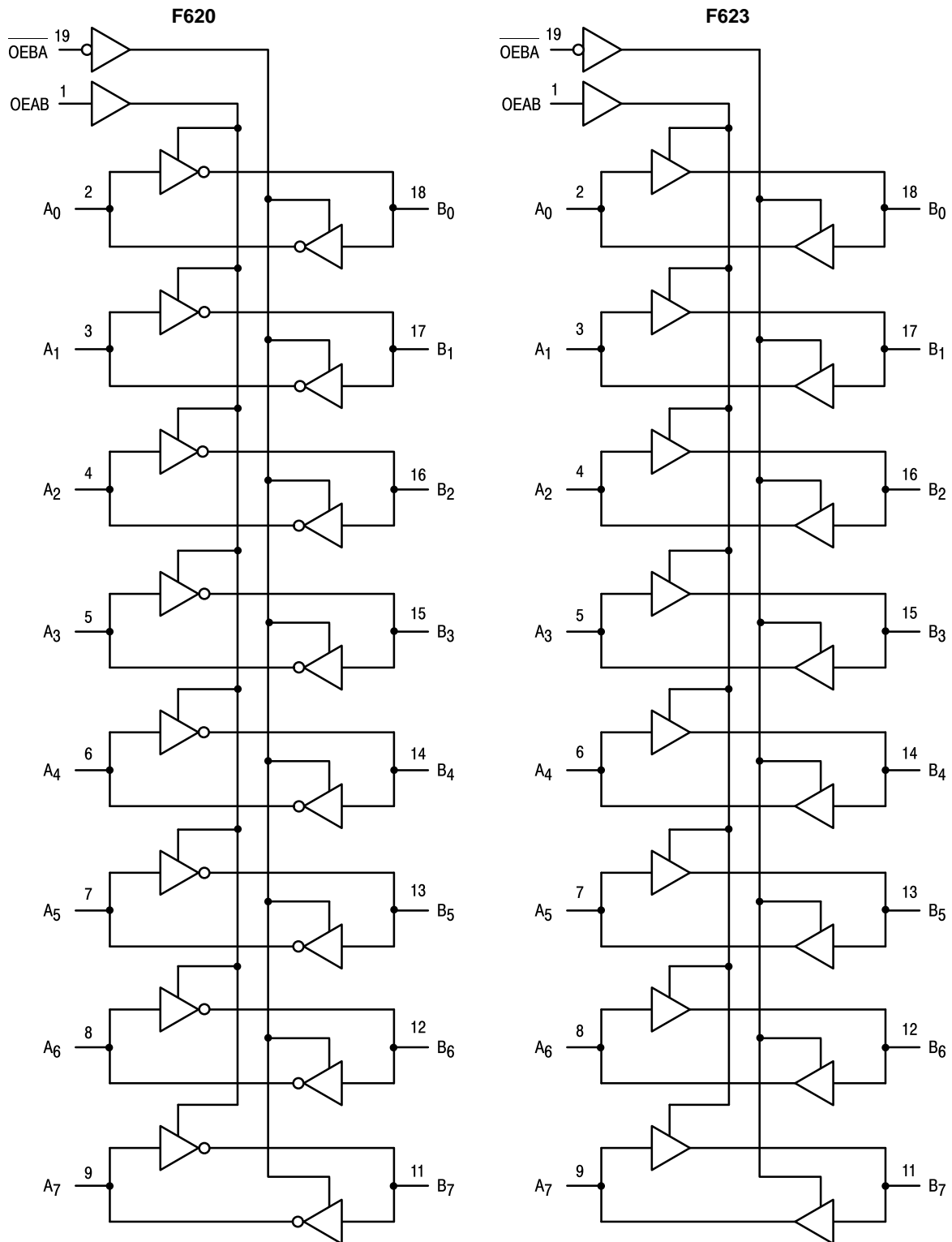
Symbol	Parameter		Limits			Unit	Test Conditions (Note 1)		
			Min	Typ	Max				
V _{IH}	Input HIGH Voltage		2.0	—	—	V	Guaranteed as a HIGH Signal		
V _{IL}	Input LOW Voltage		—	—	0.8	V	Guaranteed as a LOW Signal		
V _{IK}	Input Clamp Diode Voltage		—	—	-1.2	V	V _{CC} = MIN, I _{IN} = -18 mA		
V _{OH}	Output HIGH Voltage	A _n	74	2.4	3.3	—	V	I _{OH} = -3.0 mA	V _{CC} = 4.5 V
			74	2.7	3.3	—	V	I _{OH} = -3.0 mA	V _{CC} = 4.75 V
		B _n	74	2.4	3.4	—	V	I _{OH} = -3.0 mA	V _{CC} = 4.5 V
			74	2.7	3.4	—	V	I _{OH} = -3.0 mA	V _{CC} = 4.75 V
			74	2.0	—	—	V	I _{OH} = -15.0 mA	V _{CC} = 4.5 V
V _{OL}	Output LOW Voltage	A _n	74	—	0.35	0.50	V	I _{OL} = 24 mA	V _{CC} = MIN
V _{OL}	Output LOW Voltage	B _n	74	—	—	0.55	V	I _{OL} = 64 mA	V _{CC} = MIN
I _{OZH} + I _{IH}	Output Off Current HIGH		—	—	70	μA	V _{CC} = MAX	V _{OUT} = 2.7 V	
I _{OZL} + I _{IL}	Output Off Current LOW		—	—	-70	μA	V _{CC} = MAX	V _{OUT} = 0.5 V	
I _{IH}	Input HIGH Current		OEBA, OEAB	—	—	20	μA	V _{CC} = MAX, V _{IN} = 2.7 V	
			OEBA, OEAB	—	—	100	μA	V _{CC} = 0 V, V _{IN} = 7.0 V	
			Others	—	—	1.0	mA	V _{CC} = MAX, V _{IN} = 5.5 V	
I _{IL}	Input LOW Current		Non I/O Pins	—	—	-20	μA	V _{CC} = MAX, V _{IN} = 0.5 V	
I _{OS}	Output Short Circuit Current (Note 2)		A ₀ -A ₇	-60	—	-150	mA	V _{CC} = MAX, V _{OUT} = GND	
			B ₀ -B ₇	-100	—	-225			
I _{CC}	Power Supply Current		F620	I _{CCH}	—	—	92	V _{out} = HIGH	V _{CC} = MAX
				I _{CCL}	—	—	110	V _{out} = LOW	
				I _{CCZ}	—	—	92	V _{out} = HIGH Z	
I _{CC}	Power Supply Current		F623	—	—	120	mA	V _{CC} = MAX	

NOTES:

1. For conditions shown as MIN or MAX, use the appropriate value specified under recommended operating conditions for the applicable device type.
2. Not more than one output should be shorted at a time, nor for more than 1 second.

MC74F620 • MC74F623

LOGIC DIAGRAMS



MC74F620 • MC74F623

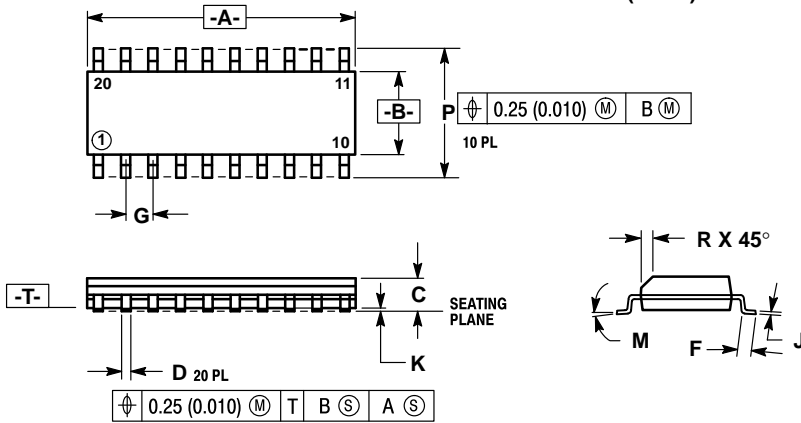
AC ELECTRICAL CHARACTERISTICS For F620

Symbol	Parameter	74F			74F			Unit
		T _A = +25°C V _{CC} = +5.0 V C _L = 50 pF			T _A = 0°C to +70°C V _{CC} = +5.0 V ±10% C _L = 50 pF			
		Min	Typ	Max	Min	Typ	Max	
t _{PLH} t _{PHL}	Propagation Delay A _n to B _n and B _n to A _n	2.5 1.0	— —	6.5 4.5	2.0 1.0	— —	7.5 5.0	ns
t _{PZH} t _{PZL}	Output Enable Time _____ to High or Low level, OEBA to A _n	3.0 4.0	— —	10.5 10.5	2.5 3.5	— —	11.5 11.5	ns
t _{PHZ} t _{PLZ}	Output Disable Time _____ to High or Low level, OEBA to A _n	2.5 1.5	— —	7.5 7.0	2.0 1.0	— —	8.0 7.5	ns
t _{PZH} t _{PZL}	Output Enable Time _____ to High or Low level, OEAB to B _n	3.5 4.5	— —	10.5 10.0	3.5 4.0	— —	11.5 11.0	ns
t _{PHZ} t _{PLZ}	Output Disable Time _____ to High or Low level, OEAB to B _n	3.0 3.0	— —	9.5 9.5	2.5 1.5	— —	10.5 10.5	ns

AC ELECTRICAL CHARACTERISTICS For F623

Symbol	Parameter	74F			74F			Unit
		T _A = +25°C V _{CC} = +5.0 V C _L = 50 pF			T _A = 0°C to +70°C V _{CC} = +5.0 V ±10% C _L = 50 pF			
		Min	Typ	Max	Min	Typ	Max	
t _{PLH} t _{PHL}	Propagation Delay A _n to B _n	2.0 3.0	— —	5.5 7.0	2.0 2.5	— —	6.5 7.5	ns
t _{PLH} t _{PHL}	Propagation Delay B _n to A _n	2.0 3.0	— —	6.0 7.0	2.0 2.5	— —	6.5 7.5	ns
t _{PZH} t _{PZL}	Output Enable Time _____ to High or Low level, OEBA to A _n	3.5 5.0	— —	10.5 9.5	3.5 5.0	— —	12.0 10.0	ns
t _{PHZ} t _{PLZ}	Output Disable Time _____ to High or Low level, OEBA to A _n	1.5 1.5	— —	6.5 6.5	1.5 1.5	— —	7.5 7.0	ns
t _{PZH} t _{PZL}	Output Enable Time _____ to High or Low level, OEAB to B _n	3.5 4.5	— —	10.0 9.0	3.5 4.5	— —	11.5 9.5	ns
t _{PHZ} t _{PLZ}	Output Disable Time _____ to High or Low level, OEAB to B _n	3.0 4.0	— —	8.5 9.0	3.0 2.0	— —	10.0 10.0	ns

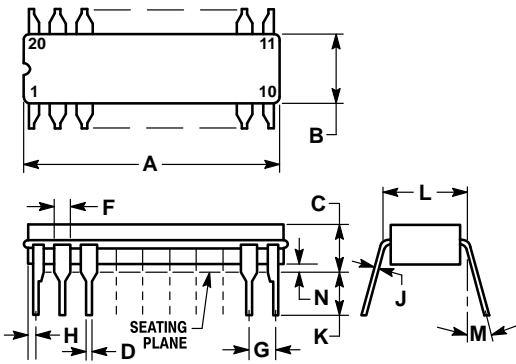
**Case 751D-03 DW Suffix
20-Pin Plastic
SO-20 (WIDE)**



- NOTES:
1. DIMENSIONING AND TOLERANCING PER ANSI Y14.5M, 1982.
 2. CONTROLLING DIMENSION: MILLIMETER.
 3. DIMENSION A AND B DO NOT INCLUDE MOLD PROTRUSION.
 4. MAXIMUM MOLD PROTRUSION 0.15 (0.006) PER SIDE.
 5. 751D-01, AND -02 OBSOLETE, NEW STANDARD 751D-03.

DIM	MILLIMETERS		INCHES	
	MIN	MAX	MIN	MAX
A	12.65	12.95	0.499	0.510
B	7.40	7.60	0.292	0.299
C	2.35	2.65	0.093	0.104
D	0.35	0.49	0.014	0.019
F	0.50	0.90	0.020	0.035
G	1.27 BSC		0.050 BSC	
J	0.25	0.32	0.010	0.012
K	0.10	0.25	0.004	0.009
M	0°	7°	0°	7°
P	10.05	10.55	0.395	0.415
R	0.25	0.75	0.010	0.029

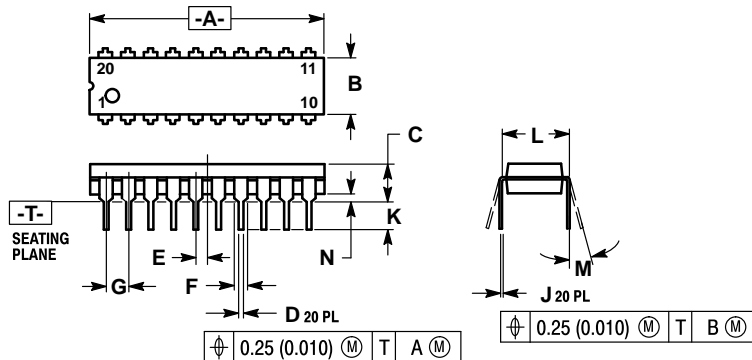
**Case 732-03 J Suffix
20-Pin Ceramic Dual In-Line**



- NOTES:
1. LEADS WITHIN 0.25 mm (0.010) DIA., TRUE POSITION AT SEATING PLANE, AT MAXIMUM MATERIAL CONDITION.
 2. DIM L TO CENTER OF LEADS WHEN FORMED PARALLEL.
 3. DIM A AND B INCLUDES MENISCUS.

DIM	MILLIMETERS		INCHES	
	MIN	MAX	MIN	MAX
A	23.88	25.15	0.940	0.990
B	6.60	7.49	0.260	0.295
C	3.81	5.08	0.150	0.200
D	0.38	0.56	0.015	0.022
F	1.40	1.65	0.055	0.065
G	2.54 BSC		0.100 BSC	
H	0.51	1.27	0.020	0.050
J	0.20	0.30	0.008	0.012
K	3.18	4.06	0.125	0.160
L	7.62 BSC		0.300 BSC	
M	0°	15°	0°	15°
N	0.25	1.02	0.010	0.040

**Case 738-03 N Suffix
20-Pin Plastic**



- NOTES:
1. DIMENSIONING AND TOLERANCING PER ANSI Y14.5M, 1982.
 2. CONTROLLING DIMENSION: INCH.
 3. DIMENSION "L" TO CENTER OF LEAD WHEN FORMED PARALLEL.
 4. DIMENSION "B" DOES NOT INCLUDE MOLD FLASH.
 5. 738-02 OBSOLETE, NEW STANDARD 738-03.

DIM	MILLIMETERS		INCHES	
	MIN	MAX	MIN	MAX
A	25.66	27.17	1.010	1.070
B	6.10	6.60	0.240	0.260
C	3.81	4.57	0.150	0.180
D	0.39	0.55	0.015	0.022
E	1.27 BSC		0.050 BSC	
F	1.27	1.77	0.050	0.070
G	2.54 BSC		0.100 BSC	
J	0.21	0.38	0.008	0.015
K	2.80	3.55	0.110	0.140
L	7.62 BSC		0.300 BSC	
M	0°	15°	0°	15°
N	0.51	1.01	0.020	0.040

LOGIC DIAGRAM

Motorola reserves the right to make changes without further notice to any products herein. Motorola makes no warranty, representation or guarantee regarding the suitability of its products for any particular purpose, nor does Motorola assume any liability arising out of the application or use of any product or circuit, and specifically disclaims any and all liability, including without limitation consequential or incidental damages. "Typical" parameters can and do vary in different applications. All operating parameters, including "Typicals" must be validated for each customer application by customer's technical experts. Motorola does not convey any license under its patent rights nor the rights of others. Motorola products are not designed, intended, or authorized for use as components in systems intended for surgical implant into the body, or other applications intended to support or sustain life, or for any other application in which the failure of the Motorola product could create a situation where personal injury or death may occur. Should Buyer purchase or use Motorola products for any such unintended or unauthorized application, Buyer shall indemnify and hold Motorola and its officers, employees, subsidiaries, affiliates, and distributors harmless against all claims, costs, damages, and expenses, and reasonable attorney fees arising out of, directly or indirectly, any claim of personal injury or death associated with such unintended or unauthorized use, even if such claim alleges that Motorola was negligent regarding the design or manufacture of the part. Motorola and TM are registered trademarks of Motorola, Inc. Motorola, Inc. is an Equal Opportunity/Affirmative Action Employer.

Literature Distribution Centers:

USA: Motorola Literature Distribution; P.O. Box 20912; Phoenix, Arizona 85036.

EUROPE: Motorola Ltd.; European Literature Centre; 88 Tanners Drive, Blakelands, Milton Keynes, MK14 5BP, England.

JAPAN: Nippon Motorola Ltd.; 4-32-1, Nishi-Gotanda, Shinagawa-ku, Tokyo 141, Japan.

ASIA PACIFIC: Motorola Semiconductors H.K. Ltd.; Silicon Harbour Center, No. 2 Dai King Street, Tai Po Industrial Estate, Tai Po, N.T., Hong Kong.

