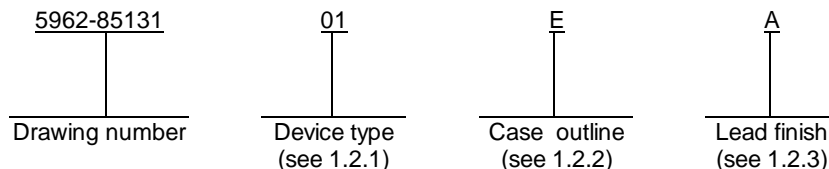


REVISIONS																								
LTR	DESCRIPTION															DATE (YR-MO-DA)			APPROVED					
A	Add case outlines, terminal connections and thermal resistance values for case outlines 2 and 3. For device type 01, 02, and 03, add subgroup 3 to I _{IH} and I _{IL} test, add R _{DS1} test, add V _{ISO} test, delete V _{CT} test, change R _L and C _L test conditions for t _{ON(A)} and t _{OFF(A)} tests, change C _L test condition for t _{ON(EN)} and t _{OFF(EN)} tests, change value of I _D for R _{DS1} test, change value of I _D and V _S for R _{DS2} test, add test condition circuits. Editorial changes throughout.															88-08-26			D. A. DiCenzo					
B	Add device types 07, 08, and 09. Table I changes. Editorial Changes throughout.															93-06-28			M. A. Frye					
C	Changes in accordance with NOR 5962-R061-95.															95-01-25			M. A. Frye					
D	Changes in accordance with NOR 5962-R032-96.															96-01-09			M. A. Frye					
E	Incorporate NOR's and current requirements. Editorial changes throughout. - drw															02-12-30			Raymond Monnin					
REV	E	E	E																					
SHEET	35	36	37																					
REV	E	E	E	E	E	E	E	E	E	E	E	E	E	E	E	E	E	E	E	E				
SHEET	15	16	17	18	19	20	21	22	23	24	25	26	27	28	29	30	31	32	33	34				
REV STATUS				REV			E	E	E	E	E	E	E	E	E	E	E	E	E	E				
OF SHEETS				SHEET			1	2	3	4	5	6	7	8	9	10	11	12	13	14				
PMIC N/A				PREPARED BY Marcia B. Kelleher							DEFENSE SUPPLY CENTER COLUMBUS COLUMBUS, OHIO 43216 http://www.dsccl.dla.mil													
STANDARD MICROCIRCUIT DRAWING				CHECKED BY Ray Monnin																				
THIS DRAWING IS AVAILABLE FOR USE BY ALL DEPARTMENTS AND AGENCIES OF THE DEPARTMENT OF DEFENSE				APPROVED BY D. A. DiCenzo							MICROCIRCUIT, LINEAR, CMOS, MULTIPLEXER/DEMULTIPLEXER, MONOLITHIC SILICON													
				DRAWING APPROVAL DATE 86-06-30																				
AMSC N/A				REVISION LEVEL E							SIZE A	CAGE CODE 67268	5962-85131											
											SHEET 1 OF 37													

1. SCOPE

1.1 Scope. This drawing describes device requirements for MIL-STD-883 compliant, non-JAN class level B microcircuits in accordance with MIL-PRF-38535, appendix A.

1.2 Part or Identifying Number (PIN). The complete PIN is as shown in the following example:



1.2.1 Device types. The device types identify the circuit function as follows:

<u>Device type</u>	<u>Generic number</u>	<u>Circuit function</u>
01	HI546	Single 16-channel MUX/DEMUX with overvoltage protection
02	HI547	Differential 8-channel MUX/DEMUX with overvoltage protection
03	HI549	Differential 4-channel MUX/DEMUX with overvoltage protection
04	HI5116	Single 16-channel MUX/DEMUX with overvoltage protection
05	HI5216	Differential 8-channel MUX/DEMUX with overvoltage protection
06	HI5208	Differential 4-channel MUX/DEMUX with overvoltage protection
07	HI506	Single 16-channel MUX/DEMUX
08	HI507	Differential 8-channel MUX/DEMUX
09	HI509	Differential 4-channel MUX/DEMUX

1.2.2 Case outlines. The case outlines are as designated in MIL-STD-1835 and as follows:

<u>Outline letter</u>	<u>Descriptive designator</u>	<u>Terminals</u>	<u>Package style</u>
E	GDIP-T16 or CDIP-T16	16	Dual-in-line
X	GDIP-T28 or CDIP-T28	28	Dual-in-line
2	CQCC1-N20	20	Square leadless chip carrier
3	CQCC1-N28	28	Square leadless chip carrier

1.2.3 Lead finish. The lead finish is as specified in MIL-PRF-38535, appendix A.

1.3 Absolute maximum ratings.

Supply voltage between +V and -V.....	+44 V
Supply voltage between +V and ground:	
Device types 01-03, 07-09	+22 V
Device types 04-06	+20 V
Supply voltage between -V and ground:	
Device types 01-03, 07-09	-25 V
Device types 04-06	-20 V
Digital input voltage range (V_A , V_{EN}):	
Device types 01-03, 07-09	[(-V) -4 V] to (+V) +4 V] or 20 mA whichever comes first
Device types 04-06	-V to +V or 20 mA whichever comes first
Analog input voltage range (V_S):	
Device types 01-03	[(-V) -20 V] to (+V) +20 V]
Device types 04-06	[(-V) -25 V] to (+V) +25 V]
Device types 07-09	[(-V) -2 V] to (+V) +2 V]

STANDARD MICROCIRCUIT DRAWING DEFENSE SUPPLY CENTER COLUMBUS COLUMBUS, OHIO 43216-5000	SIZE A		5962-85131
		REVISION LEVEL E	SHEET 2

Continuous current, source or drain	20 mA
Peak current, source or drain, pulsed, 1 ms, 10 percent duty cycle max	40 mA
Storage temperature range	-65°C to +150°C
Maximum power dissipation (P _D):	
Case E	1.25 W
Case X	2 W
Case 2	1.32 W
Case 3	1.23 W
Derating factor:	
Case E	12.5 mW/°C above T _A = +75°C
Case X	20 mW/°C above T _A = +75°C
Case 2	13.2 mW/°C above T _A = +75°C
Case 3	12.3 mW/°C above T _A = +75°C
Thermal resistance, junction-to-case (θ _{JC}):	
Cases E, X, 2, and 3	See MIL-STD-1835
Thermal resistance, junction-to-ambient (θ _{JA}):	
Case E	80°C/W
Case X	50°C/W
Case 2	76°C/W
Case 3	81°C/W
Lead temperature (soldering, 10 seconds)	+275°C
Junction temperature (T _J)	+175°C

1.4 Recommended operating conditions.

Supply voltage between +V and ground	+15 V
Supply voltage between -V and ground	-15 V
V _{REF} (device types 01 and 02 only)	open
V _{AL} (max)	0.8 V
V _{AH} (min):	
Device types 01-03	4.0 V
Device types 04-09	2.4 V
V _{EN} :	
Device types 01-03	4.0 V
Device types 04-09	2.4 V
Ambient operating temperature range (T _A)	-55°C to +125°C

2. APPLICABLE DOCUMENTS

2.1 Government specification, standards, and handbooks. The following specification, standards, and handbooks form a part of this drawing to the extent specified herein. Unless otherwise specified, the issues of these documents are those listed in the issue of the Department of Defense Index of Specifications and Standards (DoDISS) and supplement thereto, cited in the solicitation.

SPECIFICATION

DEPARTMENT OF DEFENSE

MIL-PRF-38535 - Integrated Circuits, Manufacturing, General Specification for.

STANDARDS

DEPARTMENT OF DEFENSE

MIL-STD-883 - Test Method Standard Microcircuits.
MIL-STD-1835 - Interface Standard Electronic Component Case Outlines.

STANDARD MICROCIRCUIT DRAWING DEFENSE SUPPLY CENTER COLUMBUS COLUMBUS, OHIO 43216-5000	SIZE A		5962-85131
		REVISION LEVEL E	SHEET 3

HANDBOOKS

DEPARTMENT OF DEFENSE

- MIL-HDBK-103 - List of Standard Microcircuit Drawings.
- MIL-HDBK-780 - Standard Microcircuit Drawings.

(Unless otherwise indicated, copies of the specification, standards, and handbooks are available from the Standardization Document Order Desk, 700 Robbins Avenue, Building 4D, Philadelphia, PA 19111-5094.)

2.2 Order of precedence. In the event of a conflict between the text of this drawing and the references cited herein, the text of this drawing takes precedence. Nothing in this document, however, supersedes applicable laws and regulations unless a specific exemption has been obtained.

3. REQUIREMENTS

3.1 Item requirements. The individual item requirements shall be in accordance with MIL-PRF-38535, appendix A for non-JAN class level B devices and as specified herein. Product built to this drawing that is produced by a Qualified Manufacturer Listing (QML) certified and qualified manufacturer or a manufacturer who has been granted transitional certification to MIL-PRF-38535 may be processed as QML product in accordance with the manufacturers approved program plan and qualifying activity approval in accordance with MIL-PRF-38535. This QML flow as documented in the Quality Management (QM) plan may make modifications to the requirements herein. These modifications shall not affect form, fit, or function of the device. These modifications shall not affect the PIN as described herein. A "Q" or "QML" certification mark in accordance with MIL-PRF-38535 is required to identify when the QML flow option is used.

3.2 Design, construction, and physical dimensions. The design, construction, and physical dimensions shall be as specified in MIL-PRF-38535, appendix A and herein.

3.2.1. Case outlines. The case outlines shall be in accordance with 1.2.2 herein.

3.2.2. Terminal connections. The terminal connections shall be as specified on figure 1.

3.2.3. Truth tables. The truth tables shall be as specified on figure 2.

3.3 Electrical performance characteristics. Unless otherwise specified herein, the electrical performance characteristics are as specified in table I and shall apply over the full ambient operating temperature range.

3.4 Electrical test requirements. The electrical test requirements shall be the subgroups specified in table II. The electrical tests for each subgroup are described in table I.

3.5 Marking. Marking shall be in accordance with MIL-PRF-38535, appendix A. The part shall be marked with the PIN listed in 1.2 herein. In addition, the manufacturer's PIN may also be marked as listed in MIL-HDBK-103 (see 6.6 herein). For packages where marking of the entire SMD PIN number is not feasible due to space limitations, the manufacturer has the option of not marking the "5962-" on the device.

3.5.1 Certification/compliance mark. A compliance indicator "C" shall be marked on all non-JAN devices built in compliance to MIL-PRF-38535, appendix A. The compliance indicator "C" shall be replaced with a "Q" or "QML" certification mark in accordance with MIL-PRF-38535 to identify when the QML flow option is used.

3.6 Certificate of compliance. A certificate of compliance shall be required from a manufacturer in order to be listed as an approved source of supply in MIL-HDBK-103 (see 6.6 herein). The certificate of compliance submitted to DSCC-VA prior to listing as an approved source of supply shall affirm that the manufacturer's product meets the requirements of MIL-PRF-38535, appendix A and the requirements herein.

3.7 Certificate of conformance. A certificate of conformance as required in MIL-PRF-38535, appendix A shall be provided with each lot of microcircuits delivered to this drawing.

3.8 Notification of change. Notification of change to DSCC-VA shall be required in accordance with MIL-PRF-38535, appendix A.

3.9 Verification and review. DSCC, DSCC's agent, and the acquiring activity retain the option to review the manufacturer's facility and applicable required documentation. Offshore documentation shall be made available onshore at the option of the reviewer.

STANDARD MICROCIRCUIT DRAWING DEFENSE SUPPLY CENTER COLUMBUS COLUMBUS, OHIO 43216-5000	SIZE A		5962-85131
		REVISION LEVEL E	SHEET 4

TABLE I. Electrical performance characteristics.

Test	Symbol	Conditions ^{1/} -55°C ≤ T _A ≤ +125°C -V = -15 V, +V = +15 V unless otherwise specified	Group A subgroups	Device type	Limits		Unit
					Min	Max	
Input leakage current ^{2/}	I _{IH}	Measure inputs sequentially, connect all unused inputs to GND	1, 2, 3	01, 02, 03, 04, 05, 07, 08, 09		1.0	μA
			1, 3	06	-1.0	1.0	
			2		-10.0	10.0	
	I _{IL}		1, 2, 3	01, 02, 03, 04, 05, 07, 08, 09		1.0	
			1, 3	06	-1.0	1.0	
			2		-10.0	10.0	
Leakage current into the source terminal of an "OFF" switch	+I _{S(OFF)}	V _S = +10 V, V _{EN} = 0.8 V, all unused inputs = -10 V, V _D = -10 V	1	01, 02, 03, 07, 08, 09	-10	+10	nA
				04, 05, 06	-1	+1	
			2, 3	All	-50	+50	
	-I _{S(OFF)}		1	01, 02, 03, 07, 08, 09	-10	+10	
				04, 05, 06	-1	+1	
			2, 3	All	-50	+50	
Leakage current into the drain terminal of an "OFF" switch	+I _{D(OFF)}	V _D = +10 V, V _{EN} = 0.8 V, all unused inputs = -10 V	1	01, 02, 03, 07, 08, 09	-10	+10	nA
				04, 05,	-2	+2	
				06	-1	+1	
			2, 3	01, 04, 07	-300	+300	
				02, 08	-200	+200	
				03, 06, 09	-100	+100	
				05	-150	+150	

See footnotes at end of table.

STANDARD MICROCIRCUIT DRAWING DEFENSE SUPPLY CENTER COLUMBUS COLUMBUS, OHIO 43216-5000	SIZE A		5962-85131
		REVISION LEVEL E	SHEET 5

TABLE I. Electrical performance characteristics - continued.

Test	Symbol	Conditions ^{1/} -55°C ≤ T _A ≤ +125°C -V = -15 V, +V = +15 V unless otherwise specified	Group A subgroups	Device type	Limits		Unit		
					Min	Max			
Leakage current into the drain terminal of an "OFF" switch	-I _{D(OFF)}	V _D = -10 V, V _{EN} = 0.8 V, all unused inputs = +10 V	1	01, 02, 03, 07, 08, 09	-10	+10	nA		
				04, 05,	-2	+2			
				06	-1	+1			
			2, 3	01, 04, 07	-300	+300			
				02, 08	-200	+200			
				03, 06, 09	-100	+100			
				05	-150	+150			
			Leakage current from an "ON" driver into the switch (drain)	+I _{D(ON)}	V _D = +10 V, V _S = +10 V, all unused inputs = -10 V	1		01, 02, 03, 07, 08, 09	-10
04, 05, 06	-2	+2							
2, 3	01, 04, 07	-300				+300			
	02, 08	-200				+200			
	03, 06, 09	-100				+100			
	05	-150				+150			
-I _{D(ON)}	V _D = -10 V, V _S = -10 V, all unused inputs = +10 V	1				01, 02, 03, 07, 08, 09	-10	+10	
						04, 05, 06	-2	+2	
		2, 3		01, 04, 07	-300	+300			
				02, 08	-200	+200			
				03, 06, 09	-100	+100			
				05	-150	+150			

See footnotes at end of table.

STANDARD MICROCIRCUIT DRAWING DEFENSE SUPPLY CENTER COLUMBUS COLUMBUS, OHIO 43216-5000	SIZE A		5962-85131
		REVISION LEVEL E	SHEET 6

TABLE I. Electrical performance characteristics - continued.

Test	Symbol	Conditions <u>1</u> / -55°C ≤ T _A ≤ +125°C -V = -15 V, +V = +15 V unless otherwise specified	Group A subgroups	Device type	Limits		Unit
					Min	Max	
Overvoltage protected, leakage current into the drain terminal of an "OFF" switch	+I _{D(OFF)} overvoltage	V _S = +33 V, V _D = 0 V, V _{EN} = 0.8 V, V _S applied at ≤ 25% duty cycle	1, 2, 3	01, 02, 03,	-2.0	+2.0	μA
		V _S = +25 V, V _D = 0 V, V _{EN} = 0.8 V	1, 3	04, 05, 06	-2.0	+2.0	
			2		-5	+5	
	-I _{D(OFF)} overvoltage	V _S = -33 V, V _D = 0 V, V _{EN} = 0.8 V, V _S applied at ≤ 25% duty cycle	1, 2, 3	01, 02, 03,	-2.0	+2.0	
		V _S = -25 V, V _D = 0 V, V _{EN} = 0.8 V	1, 3	04, 05, 06	-2.0	+2.0	
			2		-5	+5	
Positive supply current	+I	V _A = 0 V, V _{EN} = 4.0 V	1, 2, 3	01, 02, 03		2.0	mA
		V _A = 0 V, V _{EN} = 2.4 V		04, 05		2.0	
				07, 08		3.0	
				09		2.4	
		V _A = 5 V, V _{EN} = 2.4 V		06		2.0	
Negative supply current	-I	V _A = 0 V, V _{EN} = 4.0 V	1, 2, 3	01, 02, 03	-1.0		mA
		V _A = 0 V, V _{EN} = 2.4 V		04, 05, 07, 08, 09	-1.0		
				06	-1.0		
Standby positive supply current	+I _{SBY}	V _A = 0 V, V _{EN} = 0 V	1, 2, 3	01, 02, 03, 04, 05, 06		2.0	mA
				07, 08		3.0	
				09		2.4	
Standby negative supply current	-I _{SBY}	V _A = 0 V, V _{EN} = 0 V	1, 2, 3	All	-1.0		mA

See footnotes at end of table.

STANDARD MICROCIRCUIT DRAWING DEFENSE SUPPLY CENTER COLUMBUS COLUMBUS, OHIO 43216-5000	SIZE A		5962-85131
		REVISION LEVEL E	SHEET 7

TABLE I. Electrical performance characteristics - continued.

Test	Symbol	Conditions <u>1/</u> -55°C ≤ T _A ≤ +125°C -V = -15 V, +V = +15 V unless otherwise specified	Group A subgroups	Device type	Limits		Unit	
					Min	Max		
Switch "ON" resistance	+R _{DS1}	V _S = +10 V, I _D = -100 μA	1	01, 02, 03,		1.5	kΩ	
			2, 3			1.8		
		V _S = +10 V, I _D = +100 μA	1	04, 05, 06		1.5		
			2, 3			2.0		
		V _S = +10 V, I _D = -1 mA	1	07, 08, 09		300		Ω
			2, 3			400		
	-R _{DS1}	V _S = -10 V, I _D = +100 μA	1	01, 02, 03,		1.5	kΩ	
			2, 3			1.8		
		V _S = -10 V, I _D = -100 μA	1	04, 05, 06		1.5		
			2, 3			2.0		
		V _S = -10 V, I _D = +1 mA	1	07, 08, 09		300		Ω
			2, 3			400		
+R _{DS2} <u>3/</u>	+V = +10 V, -V = -10 V, V _S = +5.0 V, I _D = +100 μA	1, 3	04, 05, 06		2.2	kΩ		
		2			2.4			
	-R _{DS2} <u>3/</u>	+V = +10 V, -V = -10 V, V _S = -5.0 V, I _D = -100 μA	1, 3	04, 05, 06			2.2	
			2				2.4	
Difference in switch "ON" resistance between channels	ΔR _{DS1}	T _A = +25°C (+R _{DS1} max) - (+R _{DS1} min) X 100 +R _{DS1} Ave	1	01, 02, 03		7	%	
		T _A = +25°C (-R _{DS1} max) - (-R _{DS1} min) X 100 - R _{DS1} Ave				7		
Capacitance: Address	C _A	+V = -V = 0 V, f = 1 MHz, T _A = +25°C, See 4.3.1c	4	01, 02, 03		15	pF	
				04, 05, 06 <u>3/</u>		10		
				07, 08		12		
				09		10		

See footnotes at end of table.

STANDARD MICROCIRCUIT DRAWING DEFENSE SUPPLY CENTER COLUMBUS COLUMBUS, OHIO 43216-5000	SIZE A		5962-85131
		REVISION LEVEL E	SHEET 8

TABLE I. Electrical performance characteristics - continued.

Test	Symbol	Conditions ^{1/} -55°C ≤ T _A ≤ +125°C -V = -15 V, +V = +15 V unless otherwise specified	Group A subgroups	Device type	Limits		Unit
					Min	Max	
Capacitance: Output switch	C _{OS}	+V = -V = 0 V, f = 1 MHz, T _A = +25°C, See 4.3.1c	4	01		85	pF
				02, 08		50	
				03, 09		25	
				04, 05, 06 ^{3/}		85	
				07		90	
Capacitance: Input switch	C _{IS}	+V = -V = 0 V, f = 1 MHz, T _A = +25°C, See 4.3.1c	4	01, 02, 03		15	pF
				04, 05, 06 ^{3/}		10	
				07, 08, 09		12	
Charge transfer error	V _{CTE}	V _S = GND, V _{GEN} = 0 V to 5 V, T _A = +25°C ^{3/}	7	All		10	mV
Off isolation	V _{ISO}	V _{EN} = 0.8 V, V _S = 7 V _{rms} , R _L = 1 kΩ, C _L = 15 pF, f = 100 kHz, T _A = +25°C ^{3/}	7	01, 02, 03, 07, 08, 09		-50	dB
Single channel isolation	V _{ISO}	V _{EN} = 0 V, V _{GEN} = 1 V _{p-p} , R _L = 200 Ω, f = 200 kHz, T _A = +25°C ^{3/}	7	04, 05, 06		-50	dB
Crosstalk between channels	V _{CT}	V _{GEN} = 1 V _{p-p} , f = 200 kHz, T _A = +25°C ^{3/}	7	04, 05, 06		-50	dB
Break-before-make time delay	t _D	T _A = +25°C, See figure 3	9	01, 02, 03,	5		ns
				04, 05, 06 ^{3/}	5		
				07, 08, 09	25		
Propagation delay times: Address inputs to I/O channels times:	t _{ON(A)}	R _L = 10 kΩ, C _L = 50 pF	9	01, 02, 03, 07		500	ns
	t _{OFF(A)}	See figure 4	10, 11	08, 09		1,000	
		R _L = 1 kΩ, C _L = 100 pF	9	04, 05, 06		1,000	
		See figure 4	10, 11			1,500	

See footnotes at end of table.

STANDARD MICROCIRCUIT DRAWING DEFENSE SUPPLY CENTER COLUMBUS COLUMBUS, OHIO 43216-5000	SIZE A		5962-85131
		REVISION LEVEL E	SHEET 9

TABLE I. Electrical performance characteristics - continued.

Test	Symbol	Conditions ^{1/} -55°C ≤ T _A ≤ +125°C -V = -15 V, +V = +15 V unless otherwise specified	Group A subgroups	Device type	Limits		Unit
					Min	Max	
Enable to I/O	t _{ON(EN)}	R _L = 1 kΩ, C _L = 50 pF	9	01,02, 03, 07		500	ns
	t _{OFF(EN)}	See figure 4	10, 11	08, 09		1,000	
			9	04, 05 06		700	
		10, 11				1,000	

^{1/} For device types 01 and 02, V_{REF} = open. For device types 01, 02, and 03, V_{EN} = 4.0 V unless otherwise specified. For device types 04, 05, 06, 07, 08 and 09, V_{EN} = 2.4 V unless otherwise specified. For device types 04, 05, and 06, current flowing in either direction between any associated input and output terminals of the switch shall be 30 mA.

^{2/} Input current of one input mode.

^{3/} Guaranteed, if not tested, to the limits specified.

STANDARD MICROCIRCUIT DRAWING DEFENSE SUPPLY CENTER COLUMBUS COLUMBUS, OHIO 43216-5000	SIZE A		5962-85131
		REVISION LEVEL E	SHEET 10

Case outline	E	X	X	X	X	2	3	3	3	3
Device type	03, 06, 09	01	02	04, 07	05, 08	03, 06, 09	01	02	07	08
Terminal number	Terminal symbol									
1	A0	V+	V+	V+	V+	NC	V+	V+	V+	V+
2	Enable	NC	OUT B	NC	OUT B	A0	NC	OUT B	NC	OUT B
3	V-	NC	NC	NC	NC	Enable	NC	NC	NC	NC
4	IN 1A	IN 16	IN 8B	IN 16	IN 8B	V-	IN 16	IN 8B	IN 16	IN 8B
5	IN 2A	IN 15	IN 7B	IN 15	IN 7B	IN 1A	IN 15	IN 7B	IN 15	IN 7B
6	IN 3A	IN 14	IN 6B	IN 14	IN 6B	NC	IN 14	IN 6B	IN 14	IN 6B
7	IN 4A	IN 13	IN 5B	IN 13	IN 5B	IN 2A	IN 13	IN 5B	IN 13	IN 5B
8	OUT A	IN 12	IN 4B	IN 12	IN 4B	IN 3A	IN 12	IN 4B	IN 12	IN 4B
9	OUT B	IN 11	IN 3B	IN 11	IN 3B	IN 4A	IN 11	IN 3B	IN 11	IN 3B
10	IN 4B	IN 10	IN 2B	IN 10	IN 2B	OUT A	IN 10	IN 2B	IN 10	IN 2B
11	IN 3B	IN 9	IN 1B	IN 9	IN 1B	NC	IN 9	IN 1B	IN 9	IN 1B
12	IN 2B	GND	GND	GND	GND	OUT B	GND	GND	GND	GND
13	IN 1B	V _{REF}	V _{REF}	NC	NC	IN 4B	V _{REF}	V _{REF}	NC	NC
14	V+	A3	NC	A3	NC	IN 3B	A3	NC	A3	NC
15	GND	A2	A2	A2	A2	IN 2B	A2	A2	A2	A2
16	A1	A1	A1	A1	A1	NC	A1	A1	A1	A1
17	---	A0	A0	A0	A0	IN 1B	A0	A0	A0	A0
18	---	Enable	Enable	Enable	Enable	V+	Enable	Enable	Enable	Enable
19	---	IN 1	IN 1A	IN 1	IN 1A	GND	IN 1	IN 1A	IN 1	IN 1A
20	---	IN 2	IN 2A	IN 2	IN 2A	A1	IN 2	IN 2A	IN 2	IN 2A
21	---	IN 3	IN 3A	IN 3	IN 3A	---	IN 3	IN 3A	IN 3	IN 3A
22	---	IN 4	IN 4A	IN 4	IN 4A	---	IN 4	IN 4A	IN 4	IN 4A
23	---	IN 5	IN 5A	IN 5	IN 5A	---	IN 5	IN 5A	IN 5	IN 5A
24	---	IN 6	IN 6A	IN 6	IN 6A	---	IN 6	IN 6A	IN 6	IN 6A
25	---	IN 7	IN 7A	IN 7	IN 7A	---	IN 7	IN 7A	IN 7	IN 7A
26	---	IN 8	IN 8A	IN 8	IN 8A	---	IN 8	IN 8A	IN 8	IN 8A
27	---	V-	V-	V-	V-	---	V-	V-	V-	V-
28	---	OUT	OUT A	OUT	OUT A	---	OUT	OUT A	OUT	OUT A

FIGURE 1. Terminal connections.

STANDARD MICROCIRCUIT DRAWING DEFENSE SUPPLY CENTER COLUMBUS COLUMBUS, OHIO 43216-5000	SIZE A	5962-85131
		REVISION LEVEL E

Device types 01, 04, and 07

A3	A2	A1	A0	EN	CHANNEL SELECTED
X	X	X	X	L	NONE
L	L	L	L	H	1
L	L	L	H	H	2
L	L	H	L	H	3
L	L	H	H	H	4
L	H	L	L	H	5
L	H	L	H	H	6
L	H	H	L	H	7
L	H	H	H	H	8
H	L	L	L	H	9
H	L	L	H	H	10
H	L	H	L	H	11
H	L	H	H	H	12
H	H	L	L	H	13
H	H	L	H	H	14
H	H	H	L	H	15
H	H	H	H	H	16

Device types 02, 05, and 08

A2	A1	A0	EN	CHANNEL SELECTED
X	X	X	L	NONE
L	L	L	H	1A, 1B
L	L	H	H	2A, 2B
L	H	L	H	3A, 3B
L	H	H	H	4A, 4B
H	L	L	H	5A, 5B
H	L	H	H	6A, 6B
H	H	L	H	7A, 7B
H	H	H	H	8A, 8B

Device types 03, 06, and 09

A1	A0	EN	CHANNEL SELECTED
X	X	L	NONE
L	L	H	1A, 1B
L	H	H	2A, 2B
H	L	H	3A, 3B
H	H	H	4A, 4B

FIGURE 2. Truth tables.

STANDARD MICROCIRCUIT DRAWING DEFENSE SUPPLY CENTER COLUMBUS COLUMBUS, OHIO 43216-5000	SIZE A		5962-85131
		REVISION LEVEL E	SHEET 12

Device type 01

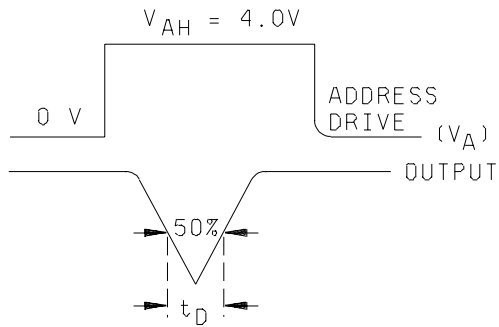
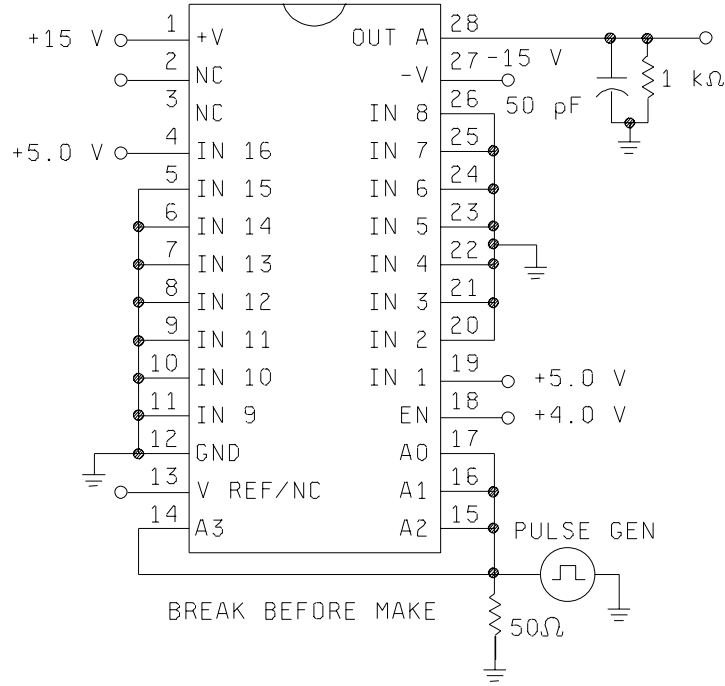


FIGURE 3. Break-before-make test circuit and waveforms.

STANDARD MICROCIRCUIT DRAWING DEFENSE SUPPLY CENTER COLUMBUS COLUMBUS, OHIO 43216-5000	SIZE A		5962-85131
		REVISION LEVEL E	SHEET 13

Device type 02

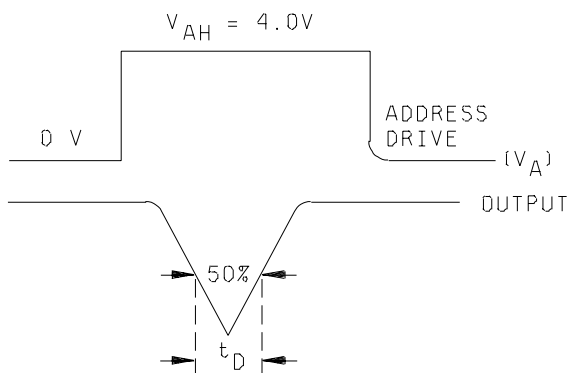
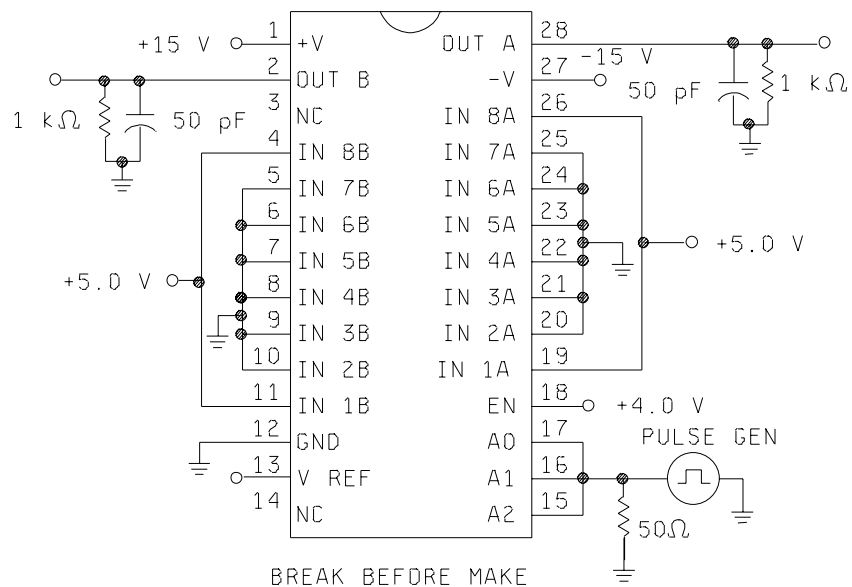


FIGURE 3. Break-before-make test circuit and waveforms – continued.

STANDARD MICROCIRCUIT DRAWING DEFENSE SUPPLY CENTER COLUMBUS COLUMBUS, OHIO 43216-5000	SIZE A		5962-85131
		REVISION LEVEL E	SHEET 14

Device type 03

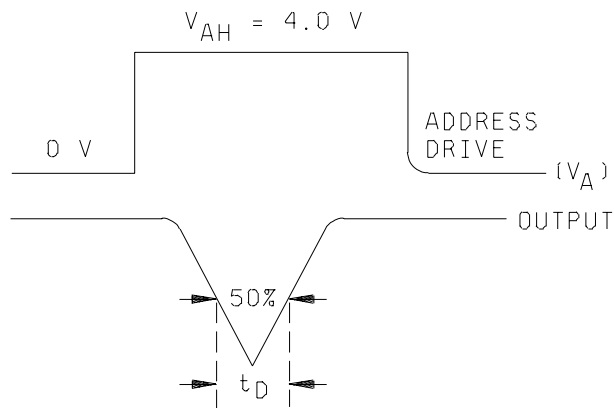
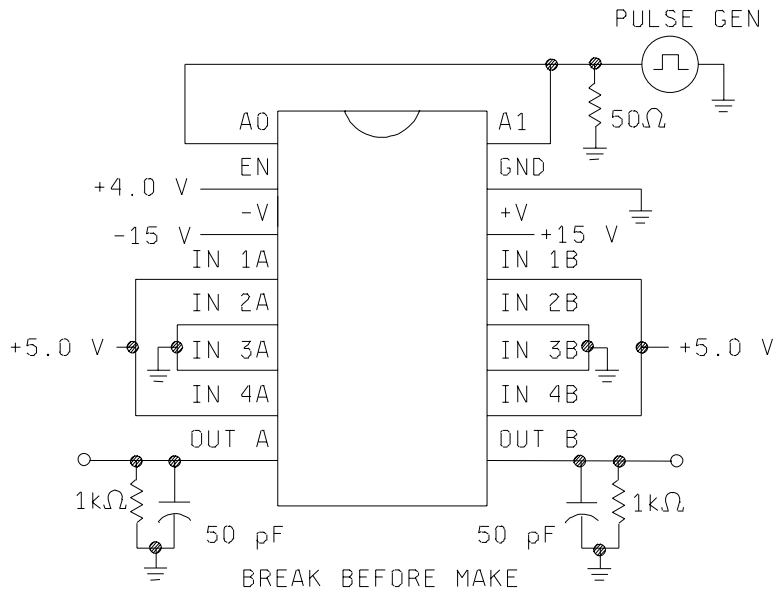


FIGURE 3. Break-before-make test circuit and waveforms – continued.

STANDARD MICROCIRCUIT DRAWING DEFENSE SUPPLY CENTER COLUMBUS COLUMBUS, OHIO 43216-5000	SIZE A		5962-85131
		REVISION LEVEL E	SHEET 15

Device types 04, 05, and 06

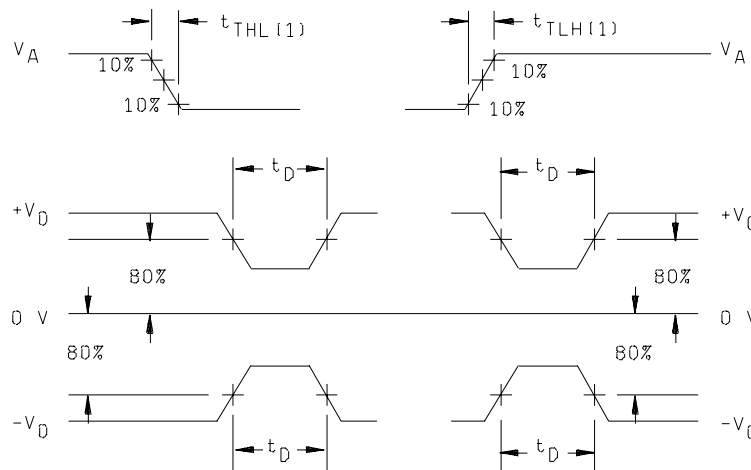
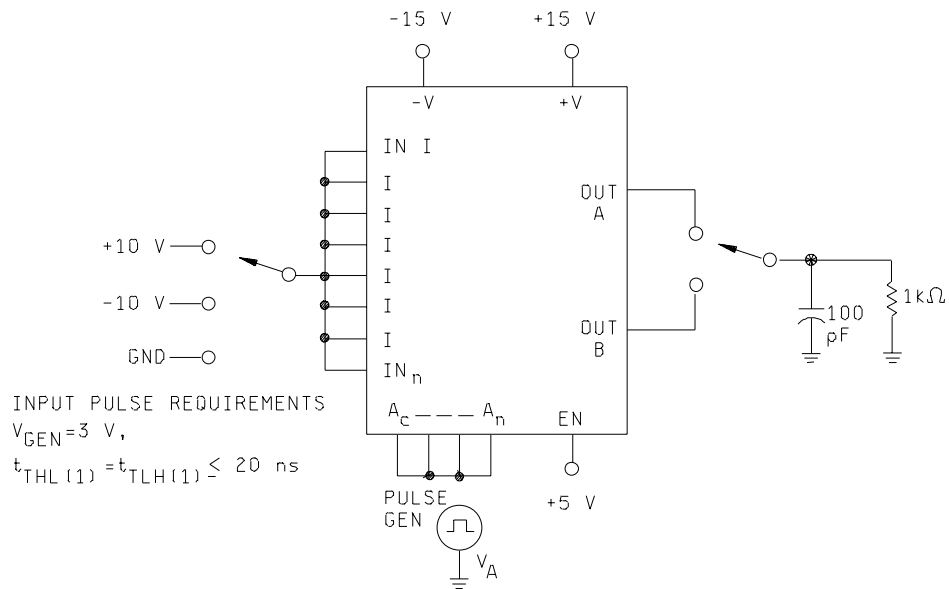


FIGURE 3. Break-before-make test circuit and waveforms – continued.

STANDARD MICROCIRCUIT DRAWING DEFENSE SUPPLY CENTER COLUMBUS COLUMBUS, OHIO 43216-5000	SIZE A		5962-85131
		REVISION LEVEL E	SHEET 16

Device type 07

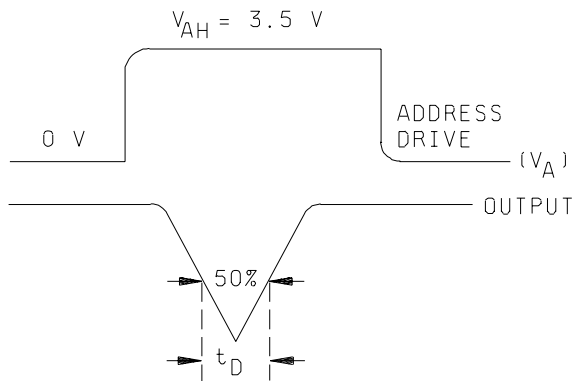
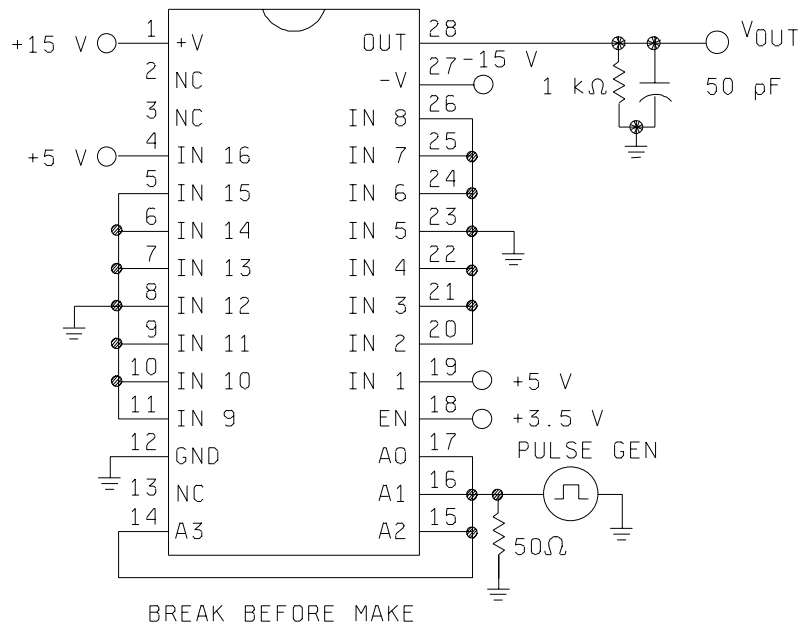


FIGURE 3. Break-before-make test circuit and waveforms – continued.

STANDARD MICROCIRCUIT DRAWING DEFENSE SUPPLY CENTER COLUMBUS COLUMBUS, OHIO 43216-5000	SIZE A		5962-85131
		REVISION LEVEL E	SHEET 17

Device type 08

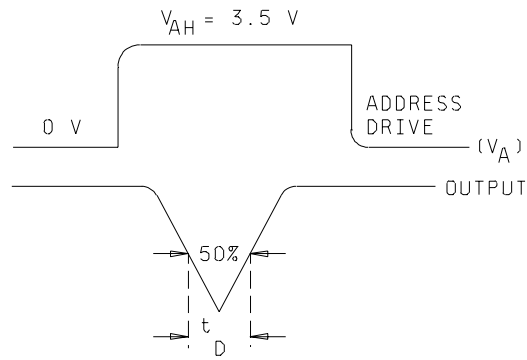
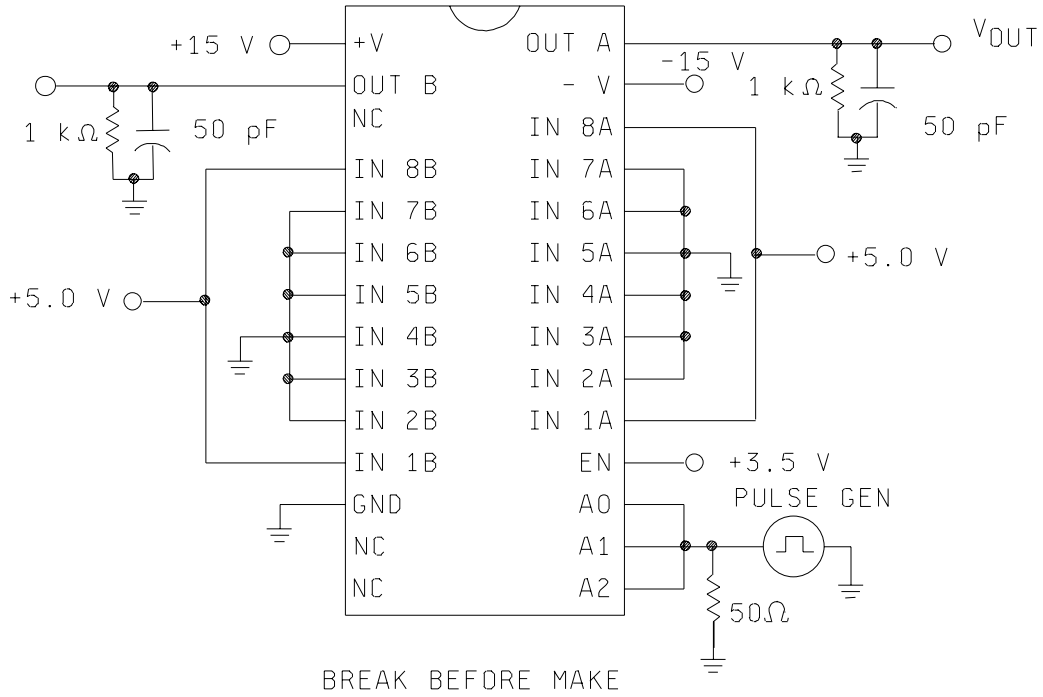


FIGURE 3. Break-before-make test circuit and waveforms – continued.

**STANDARD
MICROCIRCUIT DRAWING**
DEFENSE SUPPLY CENTER COLUMBUS
COLUMBUS, OHIO 43216-5000

SIZE
A

5962-85131

REVISION LEVEL
E

SHEET
18

Device type 09

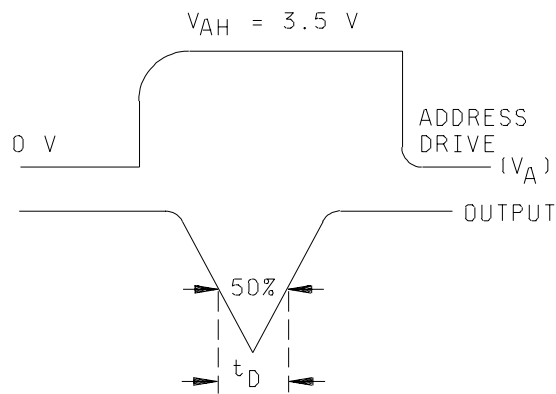
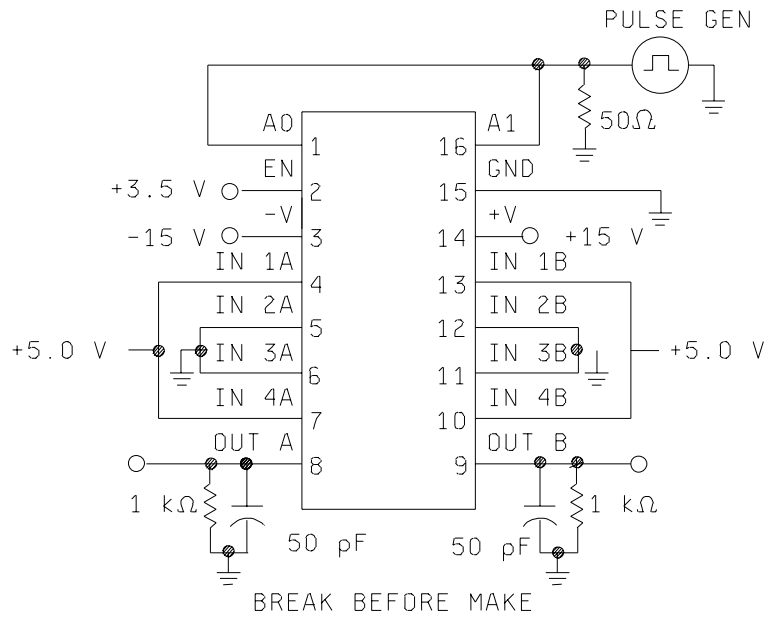


FIGURE 3. Break-before-make test circuit and waveforms – continued.

STANDARD MICROCIRCUIT DRAWING DEFENSE SUPPLY CENTER COLUMBUS COLUMBUS, OHIO 43216-5000	SIZE A		5962-85131
		REVISION LEVEL E	SHEET 19

Device type 01

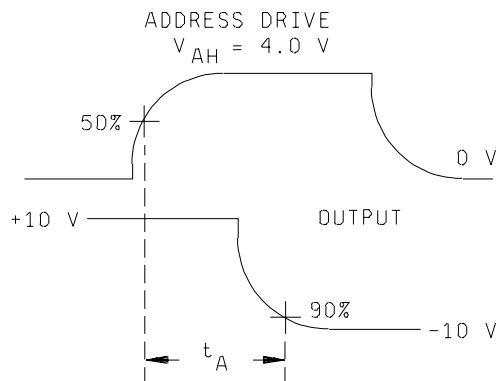
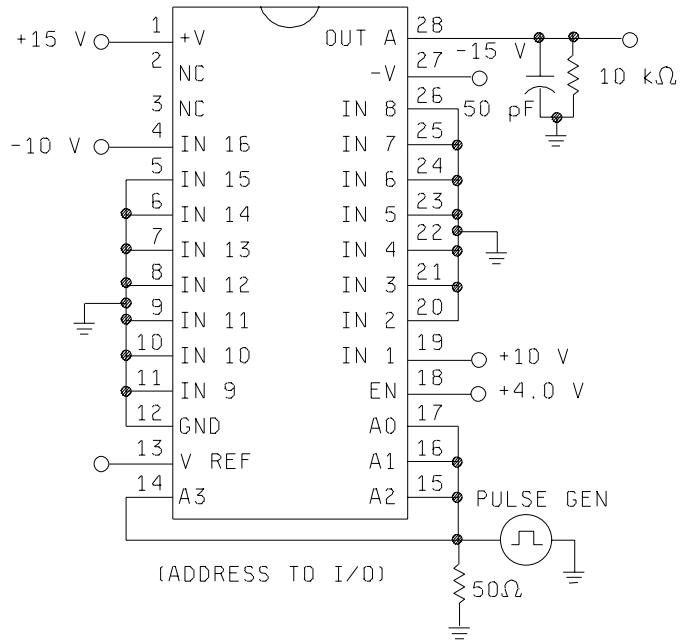


FIGURE 4. Switching times test circuits.

**STANDARD
MICROCIRCUIT DRAWING**
DEFENSE SUPPLY CENTER COLUMBUS
COLUMBUS, OHIO 43216-5000

SIZE
A

5962-85131

REVISION LEVEL
E

SHEET
20

Device type 01

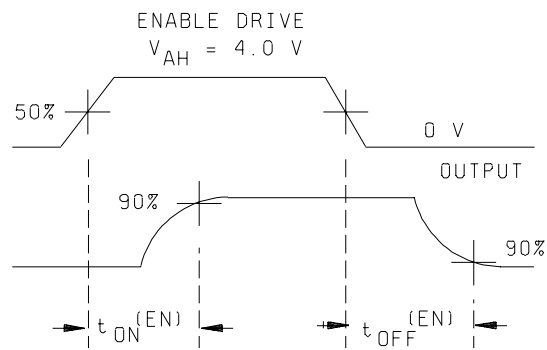
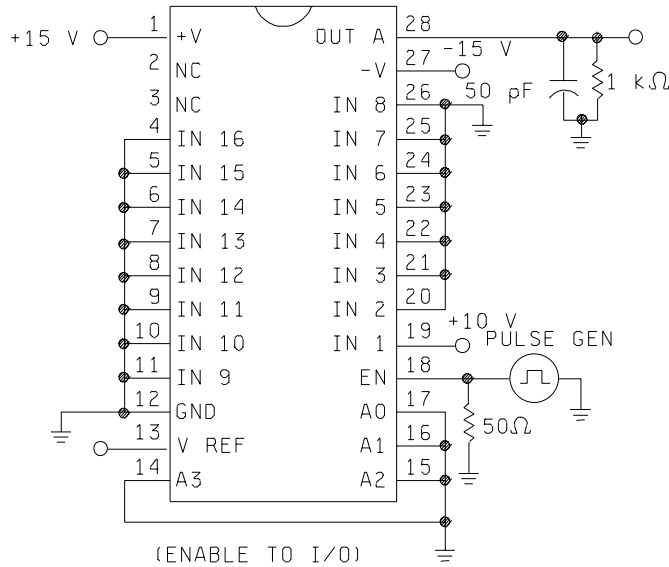


FIGURE 4. Switching times test circuits – continued.

**STANDARD
MICROCIRCUIT DRAWING**
DEFENSE SUPPLY CENTER COLUMBUS
COLUMBUS, OHIO 43216-5000

SIZE
A

5962-85131

REVISION LEVEL
E

SHEET
21

Device type 02

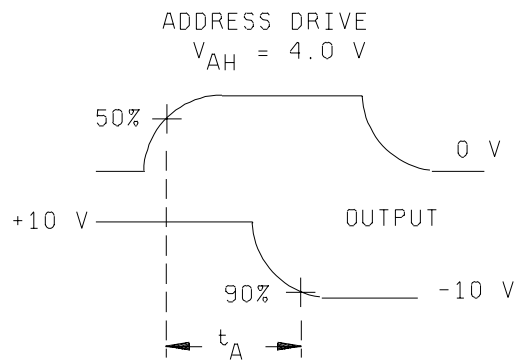
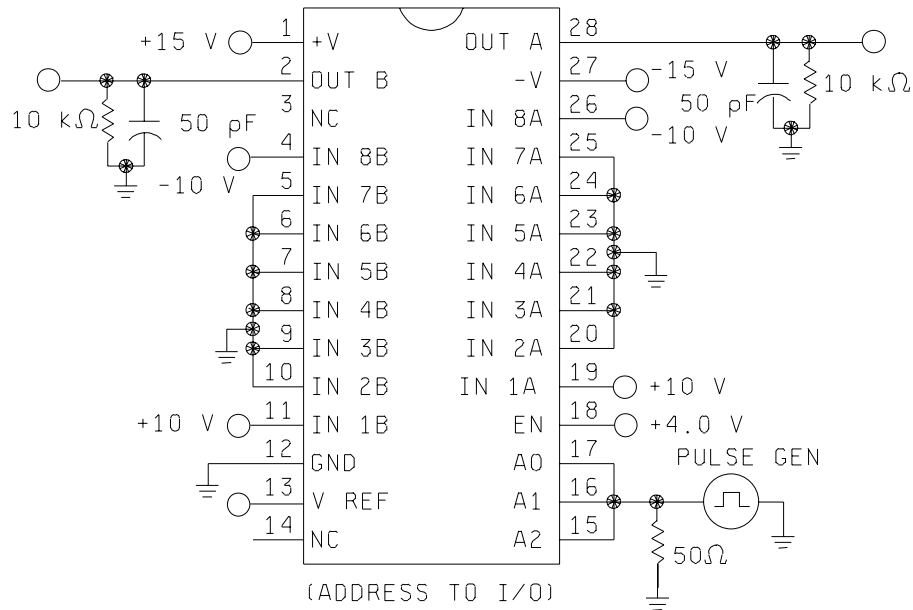


FIGURE 4. Switching times test circuits – continued.

**STANDARD
MICROCIRCUIT DRAWING**
DEFENSE SUPPLY CENTER COLUMBUS
COLUMBUS, OHIO 43216-5000

SIZE
A

5962-85131

REVISION LEVEL
E

SHEET
22

Device type 02

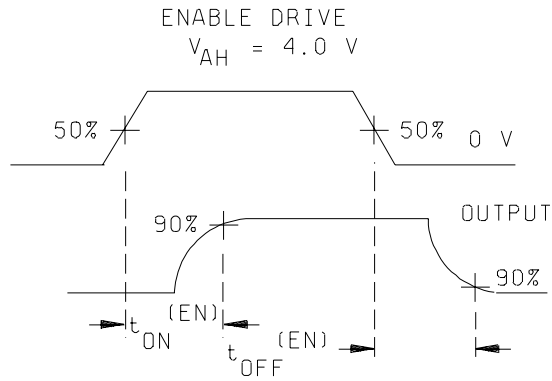
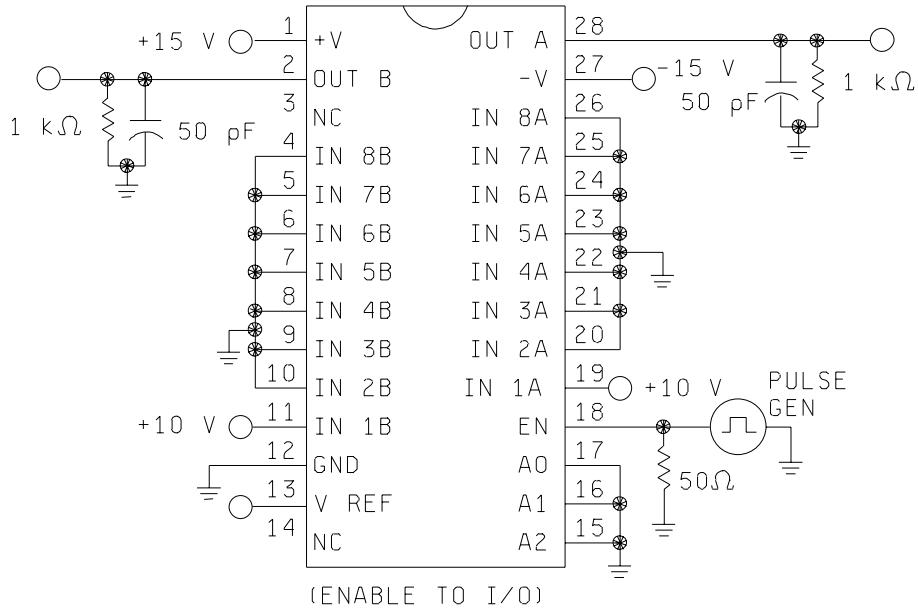


FIGURE 4. Switching times test circuits – continued.

**STANDARD
MICROCIRCUIT DRAWING**
DEFENSE SUPPLY CENTER COLUMBUS
COLUMBUS, OHIO 43216-5000

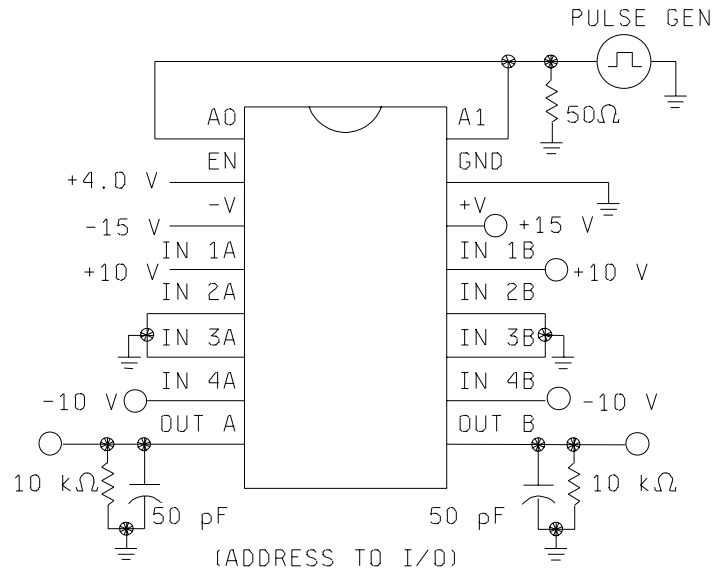
SIZE
A

5962-85131

REVISION LEVEL
E

SHEET
23

Device type 03



ADDRESS DRIVE

$V_{AH} = 4.0 \text{ V}$ for device type 03

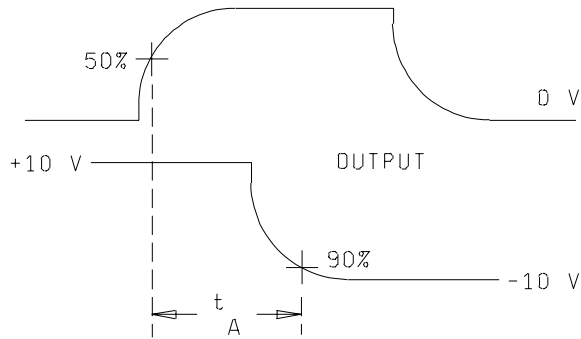
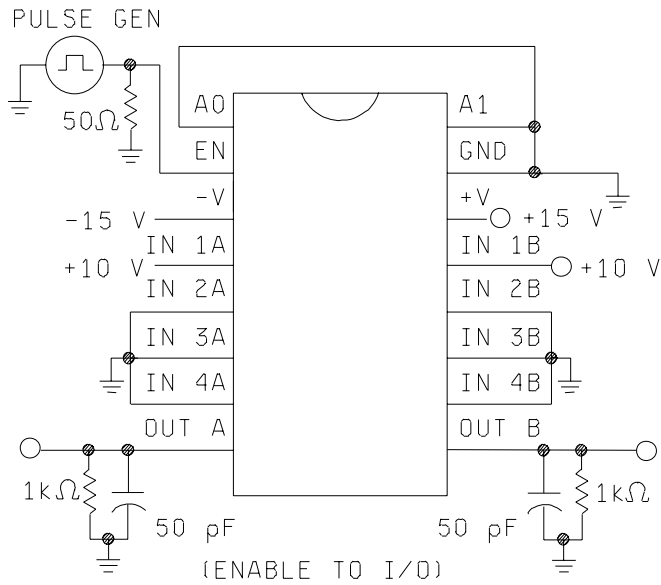


FIGURE 4. Switching times test circuits – continued.

STANDARD MICROCIRCUIT DRAWING DEFENSE SUPPLY CENTER COLUMBUS COLUMBUS, OHIO 43216-5000	SIZE A		5962-85131
		REVISION LEVEL E	SHEET 24

Device type 03



ENABLE DRIVE

$V_{AH} = 4.0 \text{ V}$ for device type 03

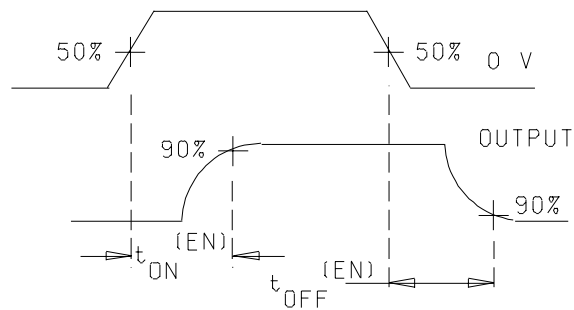


FIGURE 4. Switching times test circuits – continued.

**STANDARD
MICROCIRCUIT DRAWING**
DEFENSE SUPPLY CENTER COLUMBUS
COLUMBUS, OHIO 43216-5000

SIZE
A

5962-85131

REVISION LEVEL
E

SHEET
25

Device type 04

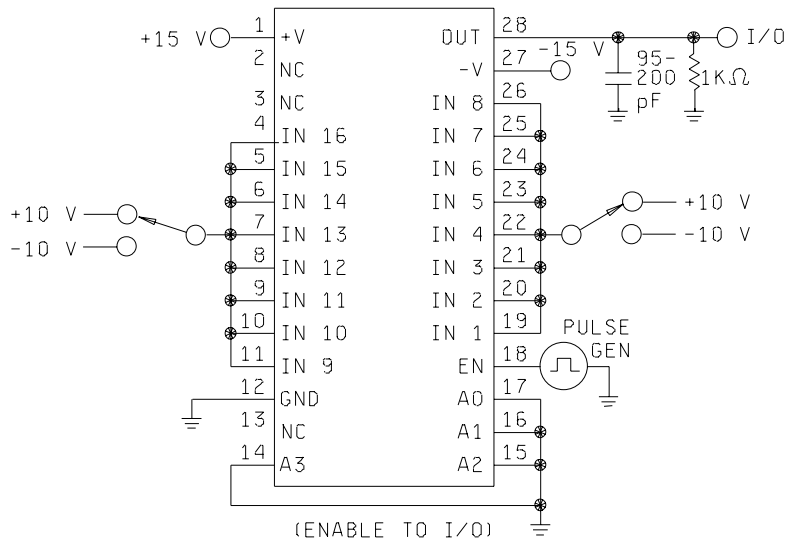
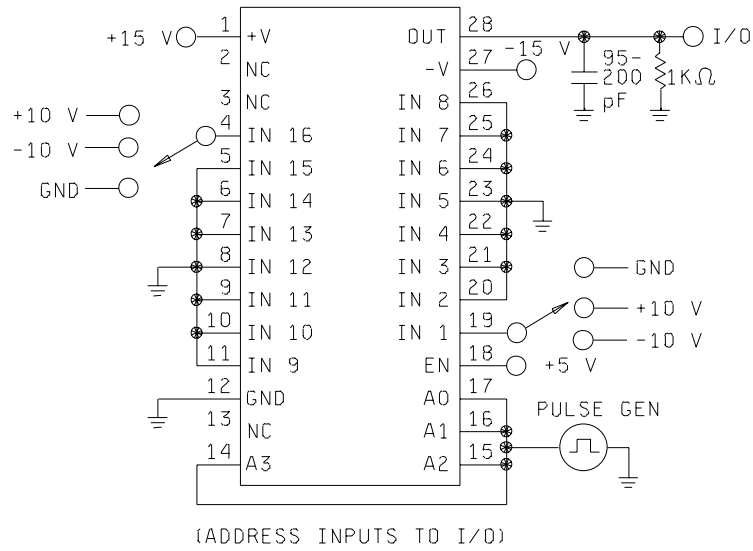
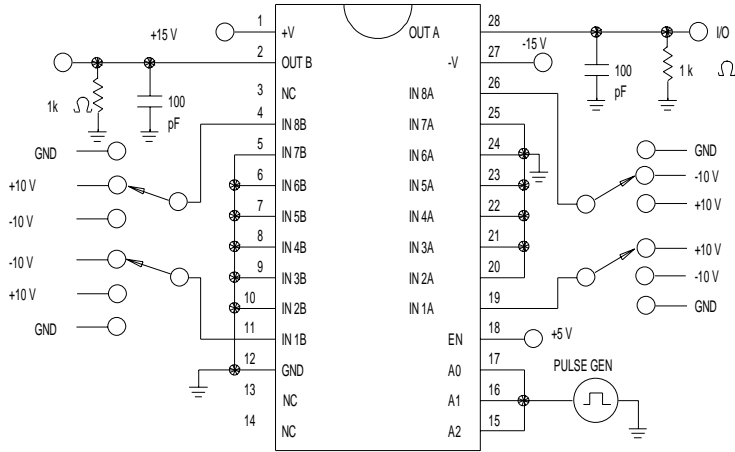


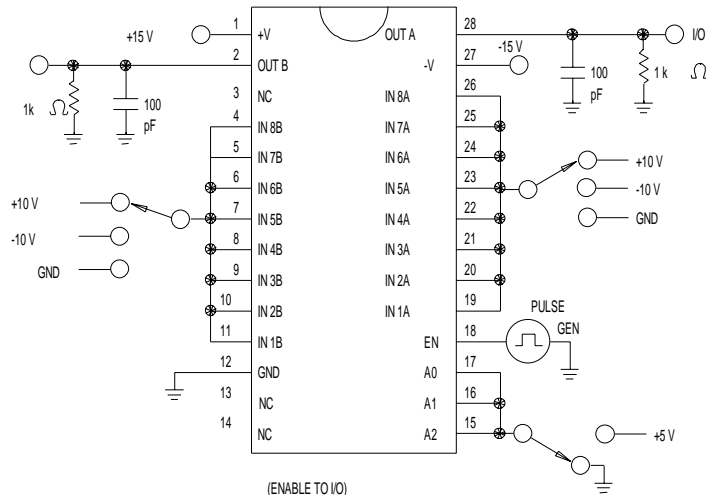
FIGURE 4. Switching times test circuits – continued.

STANDARD MICROCIRCUIT DRAWING DEFENSE SUPPLY CENTER COLUMBUS COLUMBUS, OHIO 43216-5000	SIZE A		5962-85131
		REVISION LEVEL E	SHEET 26

Device type 05



(ADDRESS INPUTS TO IO)



(ENABLE TO IO)

FIGURE 4. Switching times test circuits – continued.

**STANDARD
MICROCIRCUIT DRAWING**
DEFENSE SUPPLY CENTER COLUMBUS
COLUMBUS, OHIO 43216-5000

SIZE
A

5962-85131

REVISION LEVEL
E

SHEET
27

Device type 06

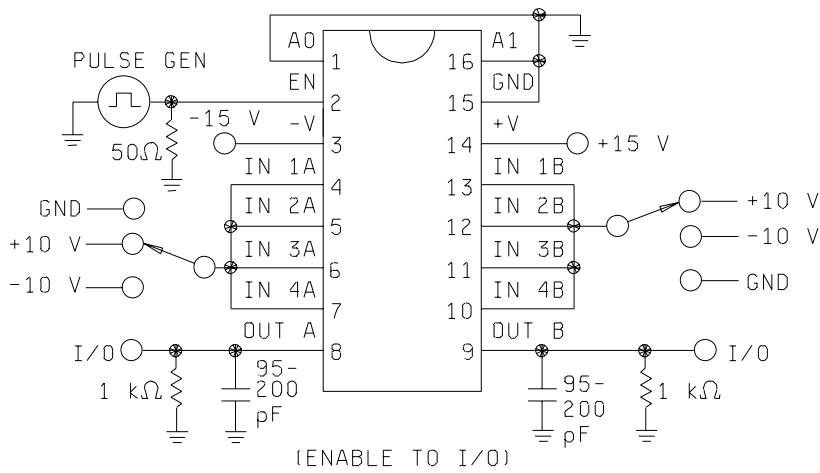
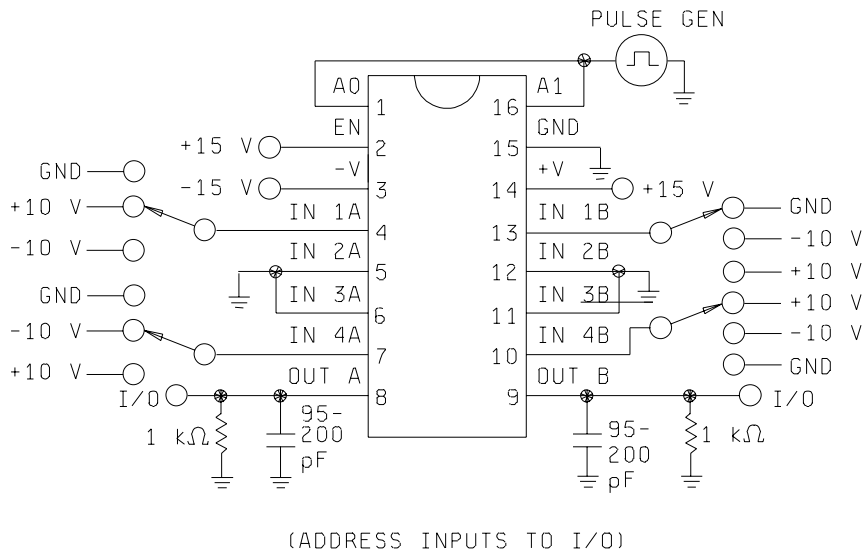


FIGURE 4. Switching times test circuits – continued.

STANDARD MICROCIRCUIT DRAWING DEFENSE SUPPLY CENTER COLUMBUS COLUMBUS, OHIO 43216-5000	SIZE A		5962-85131
		REVISION LEVEL E	SHEET 28

Device type 07

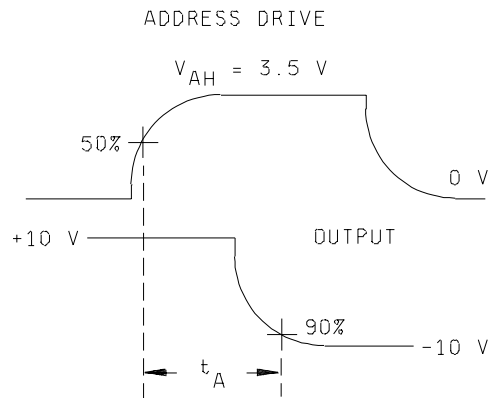
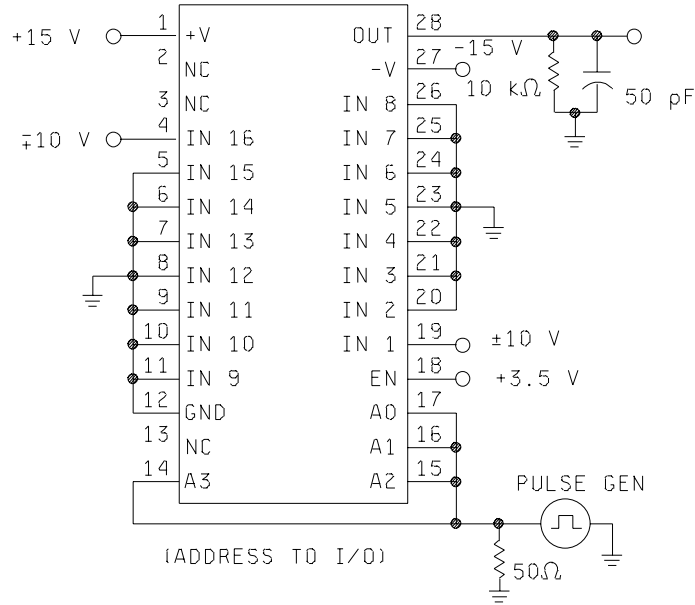


FIGURE 4. Switching times test circuits – continued.

**STANDARD
MICROCIRCUIT DRAWING**
DEFENSE SUPPLY CENTER COLUMBUS
COLUMBUS, OHIO 43216-5000

SIZE
A

5962-85131

REVISION LEVEL
E

SHEET
29

Device type 07

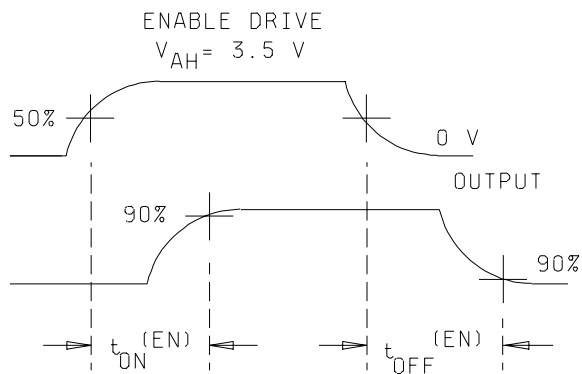
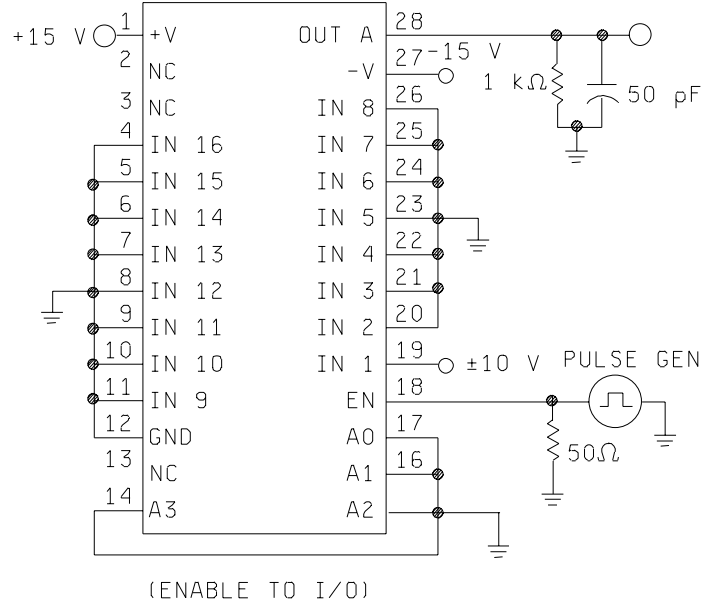


FIGURE 4. Switching times test circuits – continued.

STANDARD MICROCIRCUIT DRAWING DEFENSE SUPPLY CENTER COLUMBUS COLUMBUS, OHIO 43216-5000	SIZE A		5962-85131
		REVISION LEVEL E	SHEET 30

Device type 08

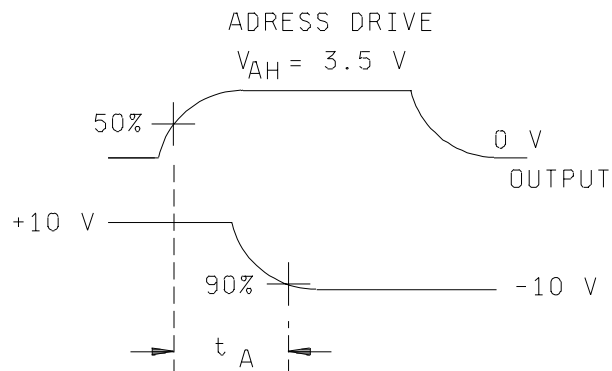
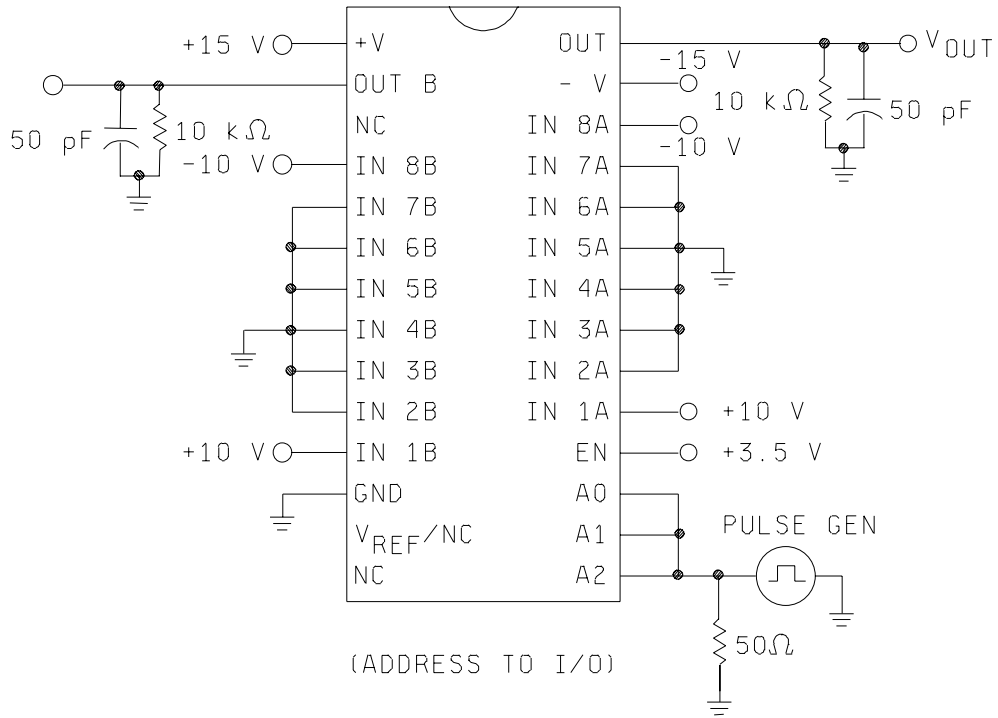


FIGURE 4. Switching times test circuits – continued.

**STANDARD
MICROCIRCUIT DRAWING**
DEFENSE SUPPLY CENTER COLUMBUS
COLUMBUS, OHIO 43216-5000

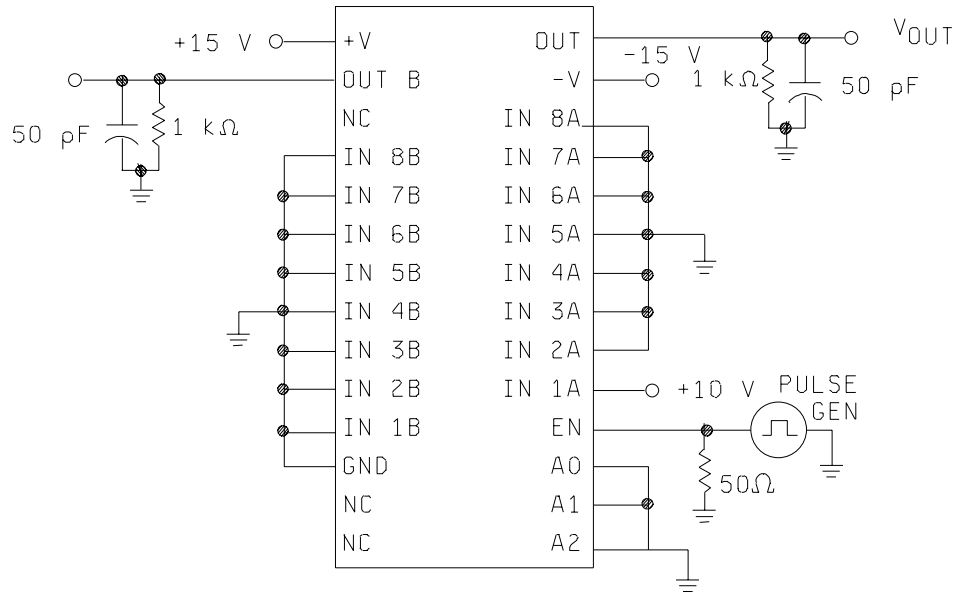
SIZE
A

5962-85131

REVISION LEVEL
E

SHEET
31

Device type 08



(ENABLE TO I/O)

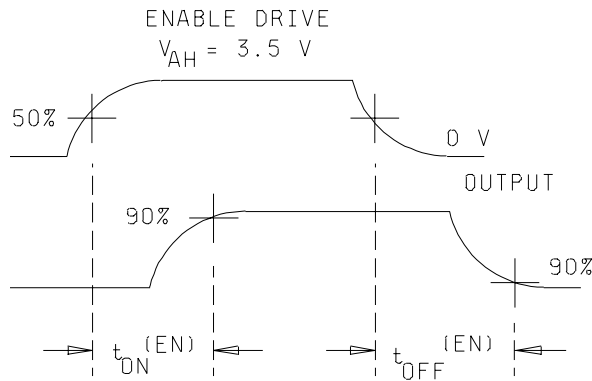


FIGURE 4. Switching times test circuits – continued.

**STANDARD
MICROCIRCUIT DRAWING**
DEFENSE SUPPLY CENTER COLUMBUS
COLUMBUS, OHIO 43216-5000

SIZE
A

5962-85131

REVISION LEVEL
E

SHEET
32

Device type 09

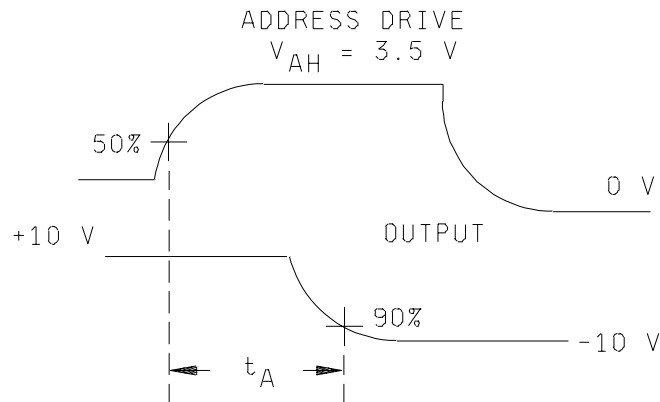
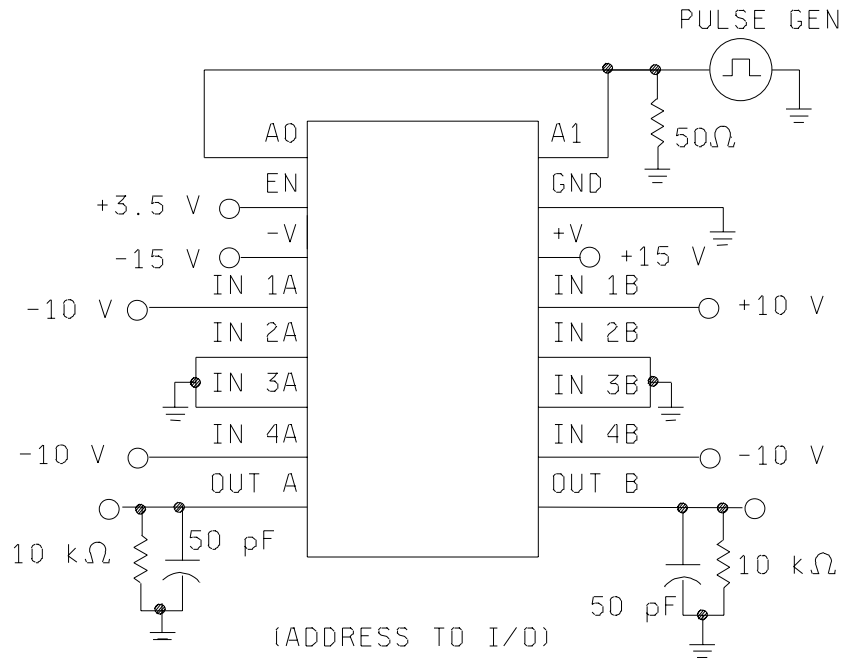


FIGURE 4. Switching times test circuits – continued.

STANDARD MICROCIRCUIT DRAWING DEFENSE SUPPLY CENTER COLUMBUS COLUMBUS, OHIO 43216-5000	SIZE A		5962-85131
		REVISION LEVEL E	SHEET 33

Device type 09

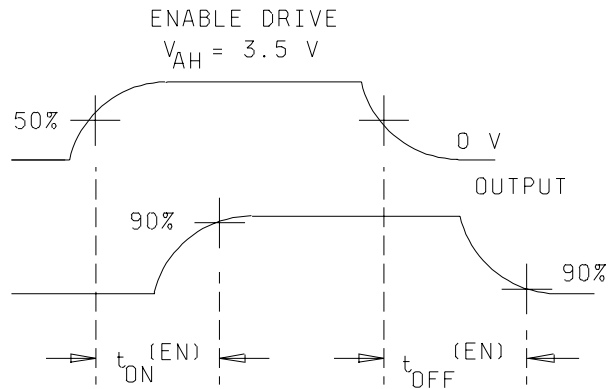
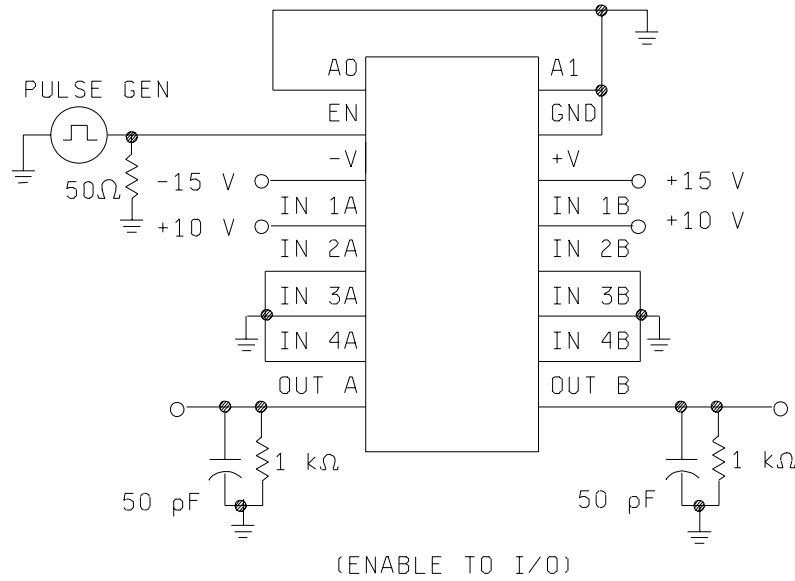


FIGURE 4. Switching times test circuits – continued.

**STANDARD
 MICROCIRCUIT DRAWING**
 DEFENSE SUPPLY CENTER COLUMBUS
 COLUMBUS, OHIO 43216-5000

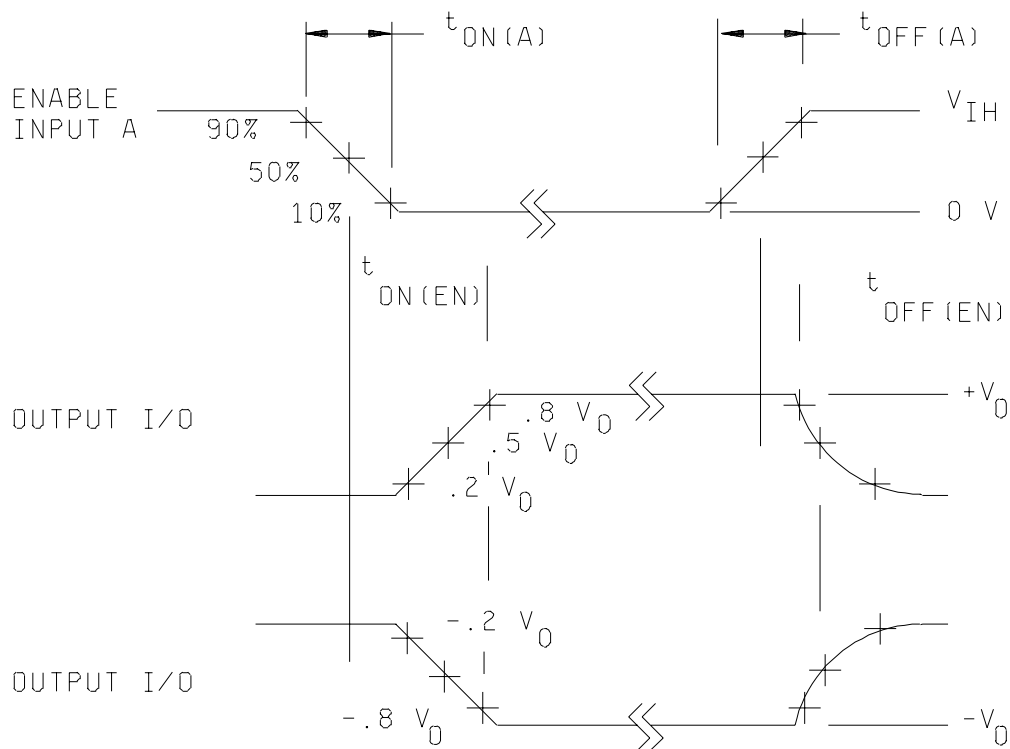
SIZE
A

5962-85131

REVISION LEVEL
E

SHEET
34

Device types 04, 05, and 06



INPUT PULSE REQUIREMENTS
 $V_{GEN} = 3 V$
 $t_{THL(1)} = t_{TLH(1)} \leq 20 ns$

FIGURE 4. Switching times test circuits – continued.

STANDARD MICROCIRCUIT DRAWING DEFENSE SUPPLY CENTER COLUMBUS COLUMBUS, OHIO 43216-5000	SIZE A		5962-85131
		REVISION LEVEL E	SHEET 35

4. QUALITY ASSURANCE PROVISIONS

4.1 Sampling and inspection. Sampling and inspection procedures shall be in accordance with MIL-PRF-38535, appendix A.

4.2 Screening. Screening shall be in accordance with method 5004 of MIL-STD-883, and shall be conducted on all devices prior to quality conformance inspection. The following additional criteria shall apply:

- a. Burn-in test, method 1015 of MIL-STD-883.
 - (1) Test condition A, B, C, or D. The test circuit shall be maintained by the manufacturer under document revision level control and shall be made available to the preparing or acquiring activity upon request. The test circuit shall specify the inputs, outputs, biases, and power dissipation, as applicable, in accordance with the intent specified in test method 1015 of MIL-STD-883.
 - (2) $T_A = +125^{\circ}\text{C}$, minimum.
- b. Interim and final electrical test parameters shall be as specified in table II herein, except interim electrical parameter tests prior to burn-in are optional at the discretion of the manufacturer.

TABLE II. Electrical test requirements.

MIL-STD-883 test requirements	Subgroups (in accordance with MIL-STD-883, method 5005, table I)
Interim electrical parameters (method 5004)	1
Final electrical test parameters (method 5004)	1*, 2, 3, 9
Group A test requirements (method 5005)	1, 2, 3, 4, 7, 9, 10**, 11**
Groups C and D end-point electrical parameters (method 5005)	1

* PDA applies to subgroup 1.

** Subgroups 10 and 11, if not tested, shall be guaranteed to the specified limits in table I.

4.3 Quality conformance inspection. Quality conformance inspection shall be in accordance with method 5005 of MIL-STD-883 including groups A, B, C, and D inspections. The following additional criteria shall apply.

4.3.1 Group A inspection.

- a. Tests shall be as specified in table II herein.
- b. Subgroups 5, 6, and 8 in table I, method 5005 of MIL-STD-883 shall be omitted.
- c. Subgroup 4 capacitance measurements shall be measured only for the initial test and after process or design changes which may affect capacitance.
- d. Subgroups 7 shall include verification of the truth table.

STANDARD MICROCIRCUIT DRAWING DEFENSE SUPPLY CENTER COLUMBUS COLUMBUS, OHIO 43216-5000	SIZE A		5962-85131
		REVISION LEVEL E	SHEET 36

4.3.2 Groups C and D inspections.

- a. End-point electrical parameters shall be as specified in table II herein.
- b. Steady-state life test conditions, method 1005 of MIL-STD-883.
 - (1) Test condition A, B, C, or D. The test circuit shall be maintained by the manufacturer under document revision level control and shall be made available to the preparing or acquiring activity upon request. The test circuit shall specify the inputs, outputs, biases, and power dissipation, as applicable, in accordance with the intent specified in test method 1005 of MIL-STD-883.
 - (2) $T_A = +125^{\circ}\text{C}$, minimum.
 - (3) Test duration: 1,000 hours, except as permitted by method 1005 of MIL-STD-883.

5. PACKAGING

5.1 Packaging requirements. The requirements for packaging shall be in accordance with MIL-PRF-38535, appendix A.

6. NOTES

6.1 Intended use. Microcircuits conforming to this drawing are intended for use for Government microcircuit applications (original equipment), design applications, and logistics purposes.

6.2 Replaceability. Microcircuits covered by this drawing will replace the same generic device covered by a contractor-prepared specification or drawing.

6.3 Configuration control of SMD's. All proposed changes to existing SMD's will be coordinated with the users of record for the individual documents. This coordination will be accomplished using DD Form 1692, Engineering Change Proposal.

6.4 Record of users. Military and industrial users shall inform Defense Supply Center Columbus when a system application requires configuration control and the applicable SMD. DSCC will maintain a record of users and this list will be used for coordination and distribution of changes to the drawings. Users of drawings covering microelectronics devices (FSC 5962) should contact DSCC-VA, telephone (614) 692-0544.

6.5 Comments. Comments on this drawing should be directed to DSCC-VA, Columbus, Ohio 43216-5000, or telephone (614) 692-0547.

6.6 Approved sources of supply. Approved sources of supply are listed in MIL-HDBK-103. The vendors listed in MIL-HDBK-103 have agreed to this drawing and a certificate of compliance (see 3.6 herein) has been submitted to and accepted by DSCC-VA.

STANDARD MICROCIRCUIT DRAWING DEFENSE SUPPLY CENTER COLUMBUS COLUMBUS, OHIO 43216-5000	SIZE A		5962-85131
		REVISION LEVEL E	SHEET 37

STANDARD MICROCIRCUIT DRAWING BULLETIN

DATE: 02-12-30

Approved sources of supply for SMD 5962-85131 are listed below for immediate acquisition information only and shall be added to MIL-HDBK-103 and QML-38535 during the next revision. MIL-HDBK-103 and QML-38535 will be revised to include the addition or deletion of sources. The vendors listed below have agreed to this drawing and a certificate of compliance has been submitted to and accepted by DSCC-VA. This bulletin is superseded by the next dated revision of MIL-HDBK-103 and QML-38535.

Standard microcircuit drawing PIN <u>1/</u>	Vendor CAGE number	Vendor similar PIN <u>2/</u>	Similar military specification PIN
5962-85131013A	34371	HI4-546/883	
5962-8513101XA	34371	HI1-546/883	M38510/19002BXA
5962-85131023A	34371	HI4-547/883	
5962-8513102XA	34371	HI1-547/883	M38510/19004BXA
5962-85131032A	34371	HI4-549/883	
5962-8513103EA	34371	HI1-549/883	M38510/19006BEA
5962-8513104XA	<u>3/</u>	IH5116MJI	M38510/19002BXA
5962-8513105XA	<u>3/</u>	IH5216MJI	M38510/19004BXA
5962-85131062C	1ES66	MAX359MLP/883B	
5962-8513106EA	1ES66	MAX359MJE/883B	M38510/19006BEA
	<u>3/</u>	IH5208MJE	
5962-85131073A	34371	HI4-506/883	
5962-85131073C	1ES66	DG506AAZ/883B	
5962-8513107XA	34371	HI1-506/883	M38510/19001BXA
5962-85131083A	34371	HI4-507/883	
5962-85131083C	1ES66	DG507AAZ/883B	
5962-8513108XA	34371	HI1-507/883	M38510/19003BXA
5962-85131092A	34371	HI4-509/883	
5962-85131092C	1ES66	DG509AAZ/883B	
5962-8513109EA	34371	HI1-509/883	M38510/19008BEA

1/ The lead finish shown for each PIN representing a hermetic package is the most readily available from the manufacturer listed for that part. If the desired lead finish is not listed contact the vendor to determine its availability.

2/ **Caution.** Do not use this number for item acquisition. Items acquired to this number may not satisfy the performance requirements of this drawing.

3/ Not available from an approved source of supply.

STANDARD MICROCIRCUIT DRAWING BULLETIN - continued

<u>Vendor CAGE number</u>	<u>Vendor name and address</u>
34371	Intersil Corporation 2401 Palm Bay Blvd PO Box 883 Melbourne, FL 32902-0883
1ES66	Maxim Integrated Products 120 San Gabriel Dr Sunnyvale, CA 94086-5125

The information contained herein is disseminated for convenience only and the Government assumes no liability whatsoever for any inaccuracies in the information bulletin.