

SN55ALS126, SN75ALS126 QUADRUPLE LINE DRIVERS

D2299, FEBRUARY 1986—REVISED OCTOBER 1989

- Meets IBM 360/370 I/O Interface Specification GA22-6974-3 (Also See SN55ALS130 and SN75ALS130)
- Minimum Output Voltage of 3.11 V at $I_{OH} = -60$ mA
- Fault Flag Circuit Output Signals Driver Output Fault
- Fault-Detection Current Limit Circuit Minimizes Power Dissipation During a Fault Condition
- Advanced Low-Power Schottky Circuitry
- Dual Common Enable
- Individual Fault Flags
- Designed to Be an Improved Replacement for the MC3481

description

The SN55ALS126 and SN75ALS126 quadruple line drivers are designed to meet the IBM 360/370 I/O specification GA22-6974-3. The output voltage is 3.11 V minimum (at $I_{OH} = -59.3$ mA) over the recommended ranges of supply voltage (4.5 V to 5.95 V) and temperature. Driver outputs use a fault-detection current-limit circuit to allow high drive current but still minimize power dissipation when the output is shorted to ground. The SN55ALS126 and SN75ALS126 are compatible with standard TTL logic and supply voltages.

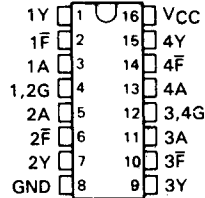
The SN55ALS126 and SN75ALS126 employ the IMPACT™ process to achieve fast switching speeds and low power dissipation. Fault-flag circuitry is designed to sense and signal a line short on any Y line. Upon detecting an output fault condition, the fault-flag circuit forces the driver output into a low state and signals a fault condition by causing the fault-flag output to go low.

The SN55ALS126 and SN75ALS126 can drive a 50-Ω load as required in the IBM GA22-6974-3 specification or a 90-Ω load as used in many I/O systems. Optimum performance can be achieved when the devices are used with either the SN75125, SN75127, SN75128, or SN75129 line receivers.

The SN55ALS126 is characterized for operation from -55°C to 125°C , and the SN75ALS126 is characterized for operation from 0°C to 70°C .

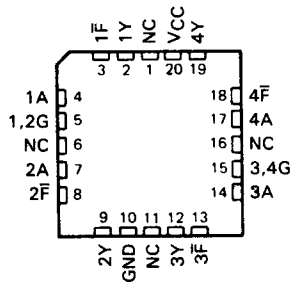
SN55ALS126, SN75ALS126 . . . J PACKAGE SN75ALS126 . . . D OR N PACKAGE

(TOP VIEW)



SN55ALS126 . . . FK PACKAGE

(TOP VIEW)



NC—No internal connection

FUNCTION TABLE

INPUTS		OUTPUTS	
G	A	Y	F
L	X	L	F
H	H	H	H
H	H	S	L

H = high level, L = low level,
X = irrelevant, S = shorted to ground

IMPACT is a trademark of Texas Instruments Incorporated

PRODUCTION DATA documents contain information current as of publication date. Products conform to specifications per the terms of Texas Instruments standard warranty. Production processing does not necessarily include testing of all parameters.

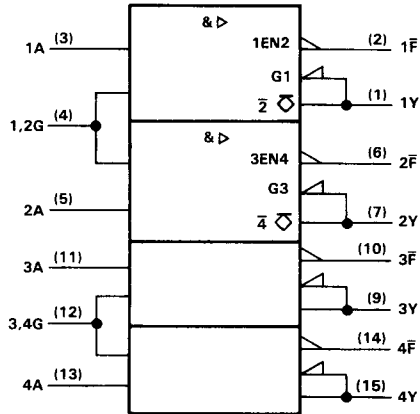
TEXAS
INSTRUMENTS

POST OFFICE BOX 655303 • DALLAS, TEXAS 75265

Copyright © 1989, Texas Instruments Incorporated

SN55ALS126, SN75ALS126 QUADRUPLE LINE DRIVERS

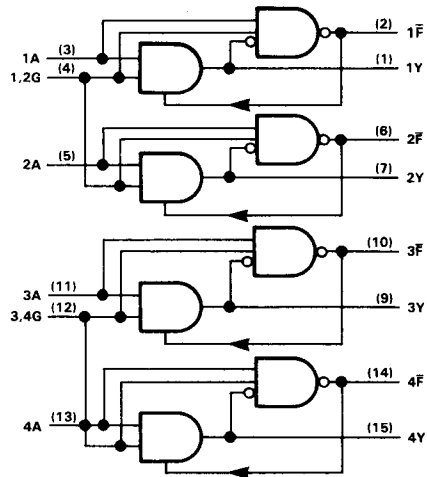
logic symbol†



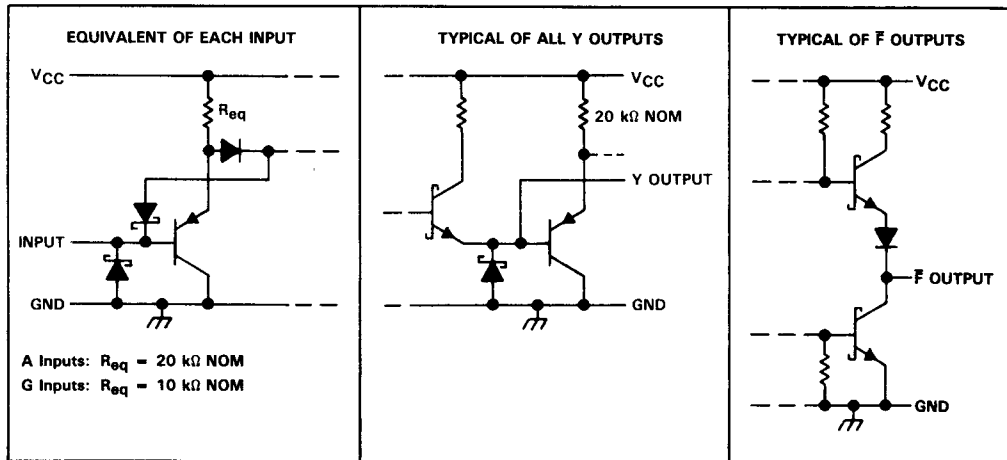
† This symbol is in accordance with ANSI/IEEE Std 91-1984 and IEC Publication 617-12.

Pin numbers shown are for D, J, and N packages.

logic diagram (positive logic)



schematics of inputs and outputs



SN55ALS126, SN75ALS126 QUADRUPLE LINE DRIVERS

absolute maximum ratings over operating free-air temperature range (unless otherwise noted)

Supply voltage, V_{CC}	7 V
Input voltage	7 V
Continuous total dissipation	See Dissipation Rating Table
Operating free-air temperature range: SN55ALS126	-55°C to 125°C
SN75ALS126	0°C to 70°C
Storage temperature range	-65°C to 150°C
Case temperature for 60 seconds: FK package	260°C
Lead temperature 1,6 mm (1/16 inch) from case for 10 seconds: D or N package	260°C
Lead temperature 1,6 mm (1/16 inch) from case for 60 seconds: J package	300°C

DISSIPATION RATING TABLE

PACKAGE	$T_A \leq 25^\circ\text{C}$ POWER RATING	DERATING FACTOR ABOVE $T_A = 25^\circ\text{C}$	$T_A = 70^\circ\text{C}$ POWER RATING	$T_A = 125^\circ\text{C}$ POWER RATING
D	950 mW	7.6 mW/°C	608 mW	N/A
FK	1375 mW	11.0 mW/°C	880 mW	275 mW
J (SN55ALS126)	1375 mW	11.0 mW/°C	880 mW	275 mW
J (SN75ALS126)	1025 mW	8.2 mW/°C	656 mW	N/A
N	1150 mW	9.2 mW/°C	736 mW	N/A

recommended operating conditions

	SN55ALS126			SN75ALS126			UNIT
	MIN	NOM	MAX	MIN	NOM	MAX	
Supply voltage, V_{CC}	4.5	5	5.95	4.5	5	5.95	V
High-level input voltage, V_{IH}	2			2			V
Low-level input voltage, V_{IL}	0.8			0.8			V
High-level output current, I_{OH}	-59.3			-59.3			mA
Operating free-air temperature, T_A	-55			70			°C

SN55ALS126, SN75ALS126 QUADRUPLE LINE DRIVERS

electrical characteristics over recommended operating free-air temperature range

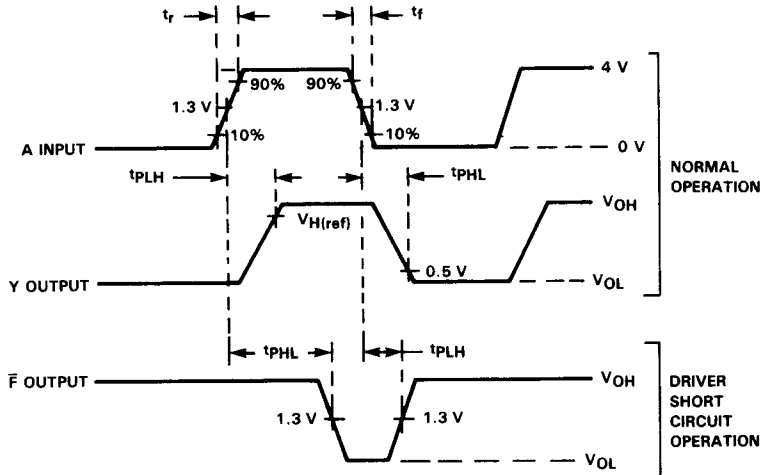
PARAMETER		TEST CONDITIONS		MIN	MAX	UNIT
V_{IK}	Input clamp voltage	A,G	$V_{CC} = 4.5 \text{ V}$, $I_I = -18 \text{ mA}$		-1.5	V
V_{OH}	High-level output voltage	Y	$V_{CC} = 4.5 \text{ V}$, $I_{OH} = -59.3 \text{ mA}$ $V_{IH} = 2 \text{ V}$	3.11		V
		Y	$V_{CC} = 5.25 \text{ V}$, $I_{OH} = -41 \text{ mA}$ $V_{IH} = 2 \text{ V}$	3.9		
		F	$V_{CC} = 4.5 \text{ V}$, $I_{OH} = -400 \mu\text{A}$ $V_{IH} = 2 \text{ V}$	2.5		
V_{OL}	Low-level output voltage	Y	$V_{CC} = 5.5 \text{ V}$, $I_{OL} = -240 \mu\text{A}$, $V_{IL} = 0.8 \text{ V}$		0.15	V
		Y	$V_{CC} = 5.95 \text{ V}$, $I_{OL} = -1 \text{ mA}$, $V_{IL} = 0.8 \text{ V}$		0.15	
		F	$V_{CC} = 4.5 \text{ V}$, $I_{OL} = 8 \text{ mA}$, Y at 0 V		0.5	
$I_{O(off)}$	Off-state output current	Y	$V_{CC} = 4.5 \text{ V}$, $V_I = 0$, $V_O = 3.11 \text{ V}$		100	μA
		Y	$V_{CC} = 4.5 \text{ V}$, $V_I = 0$, $V_O = 3.11 \text{ V}$		200	
I_I	Input current	A	$V_{CC} = 4.5 \text{ V}$, $V_I = 5.5 \text{ V}$		100	μA
		G		400		
I_{IH}	High-level input current	A	$V_{CC} = 4.5 \text{ V}$, $V_I = 2.7 \text{ V}$		20	μA
		G		80		
I_{IL}	Low-level input current	A	$V_{CC} = 5.95 \text{ V}$, $V_I = 0.4 \text{ V}$		-250	μA
		G		-1000		
I_{OS}	Short-circuit output	Y	$V_{CC} = 5.5 \text{ V}$, $V_O = 0$, $V_{IH} = 2.7 \text{ V}$		-5	mA
		F	$V_{CC} = 5.5 \text{ V}$, $V_O = 0$	-15	-100	
		Y	$V_{CC} = 5.95 \text{ V}$, $V_O = 0$, $V_{IH} = 2.7 \text{ V}$		-5	
		F	$V_{CC} = 5.95 \text{ V}$, $V_O = 0$	-15	-110	
I_{CCH}	Supply current, all outputs high		$V_{CC} = 5.5 \text{ V}$, No load, $V_{IH} = 2.7 \text{ V}$		25	mA
			$V_{CC} = 5.95 \text{ V}$, No load, $V_{IH} = 2.7 \text{ V}$		27	
I_{CCL}	Supply current, Y outputs low		$V_{CC} = 5.5 \text{ V}$, No load, $V_{IL} = 0.4 \text{ V}$		45	mA
			$V_{CC} = 5.95 \text{ V}$, No load, $V_{IL} = 0.4 \text{ V}$		47	

switching characteristics over recommended operating free-air temperature range

PARAMETER		FROM	TO	TEST CONDITIONS	MIN	MAX	UNIT
t_{PLH}	Propagation delay time, low-to-high-level output	A	Y	$V_{CC} = 4.5 \text{ V to } 5.5 \text{ V}$, $R_L = 50 \Omega$, $C_L = 50 \text{ pF}$, $V_{H(ref)} = 3.11 \text{ V}^1$, See Figures 1 and 2		30	ns
t_{PHL}	Propagation delay time, high-to-low-level output					28	ns
$\frac{t_{PLH}}{t_{PHL}}$	Ratio of propagation delay times				0.3	3	
t_{PLH}	Propagation delay time, low-to-high-level output	A	Y	$V_{CC} = 5.25 \text{ V to } 5.95 \text{ V}$, $R_L = 90 \Omega$, $C_L = 50 \text{ pF}$, $V_{H(ref)} = 3.9 \text{ V}$ See Figures 1 and 2		34	ns
t_{PHL}	Propagation delay time, high-to-low-level output					34	ns
t_{PLH}	Propagation delay time, low-to-high-level output	A	F	$V_{CC} = 5 \text{ V}$, $C_L = 15 \text{ pF}$, See Figures 1 and 2		45	ns
t_{PHL}	Propagation delay time, high-to-low-level output					75	ns

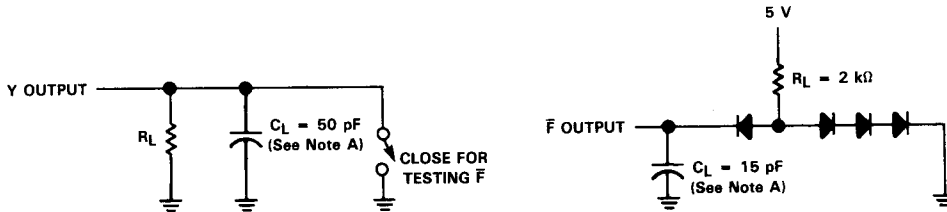
¹ For SN55ALS126 at $T_A = -55^\circ\text{C}$, $V_{H(ref)} = 2.5 \text{ V}$.

PARAMETER MEASUREMENT INFORMATION



NOTE: The input pulse is supplied by a generator having the following characteristics: PRR \leq 1 MHz, duty cycle \leq 50%, $t_r \leq$ 6 ns, $t_f \leq$ 6 ns, $Z_{out} \approx$ 50 Ω .

FIGURE 1. INPUT AND OUTPUT VOLTAGE WAVEFORMS



NOTE A: C_L includes probe and stray capacitance.

FIGURE 2. SWITCHING CHARACTERISTICS LOAD CIRCUITS