

## 0.5A, 200 kHz Buck Regulator

### Features

- Fixed 200 kHz Operation
- 3.3V, 5V, and Adjustable Output Versions
- Voltage over Specified Line and Load Conditions:
  - Fixed Version:  $\pm 3\%$  Max. Output Voltage
  - Adjustable Version:  $\pm 2\%$  Max. Feedback Voltage
- Guaranteed 0.5A Switch Current
- Wide 4V to 24V Input Voltage Range
- Wide 1.23V to 20V Output Voltage Range
- Requires Minimum External Components
- $< 200 \mu\text{A}$  Typical Shutdown Mode
- 75% Efficiency (Adjustable Version  $> 75\%$  typ.)
- Standard Inductors and Capacitors are 25% of Typical LM2574 Values
- Thermal Shutdown
- Overcurrent Protection
- 100% Electrical Thermal Limit Burn-In

### Applications

- Simple High-Efficiency Step-Down (Buck) Regulator
- Efficient Pre-Regulator for Linear Regulators
- On-Card Switching Regulators
- Positive-to-Negative Converter (Inverting Buck-Boost)
- Isolated Flyback Converter using Minimum External Components
- Negative Boost Converter

### General Description

The MIC4574 is a series of easy to use fixed and adjustable BiCMOS step-down (buck) switch-mode voltage regulators. The 200 kHz MIC4574 duplicates the pinout and function of the 52 kHz LM2574. The higher switching frequency may allow up to a 2:1 reduction in output filter inductor size.

The MIC4574 is available in 3.3V and 5V fixed output versions or a 1.23V to 20V adjustable output version. Both versions are capable of driving a 0.5A load with excellent line and load regulation.

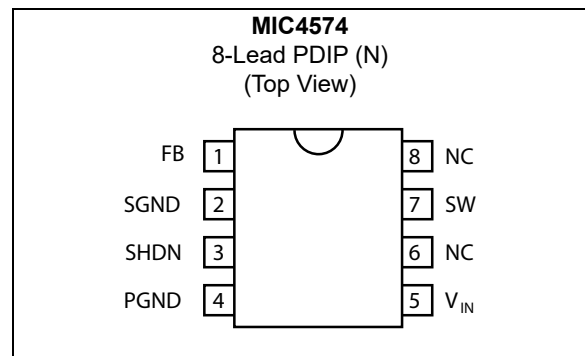
The feedback voltage is guaranteed to  $\pm 2\%$  tolerance for adjustable versions, and the output voltage is guaranteed to  $\pm 3\%$  for fixed versions, within specified voltages and load conditions. The oscillator frequency is guaranteed to  $\pm 10\%$ .

In shutdown mode, the regulator draws less than 200  $\mu\text{A}$  standby current. The regulator performs cycle-by-cycle current limiting and thermal shutdown for protection under fault conditions.

This series of simple switch-mode regulators requires a minimum number of external components and can operate using a standard series of inductors. Frequency compensation is provided internally.

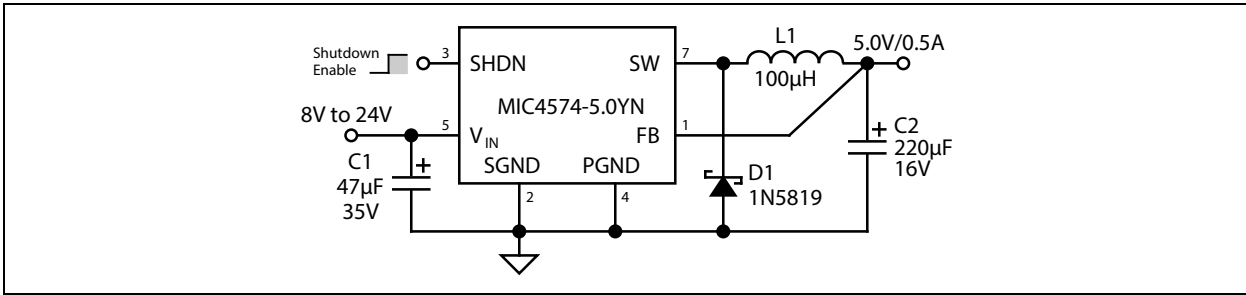
The MIC4574 is available in the DIP (N) package and is rated over the industrial temperature range.

### Package Type

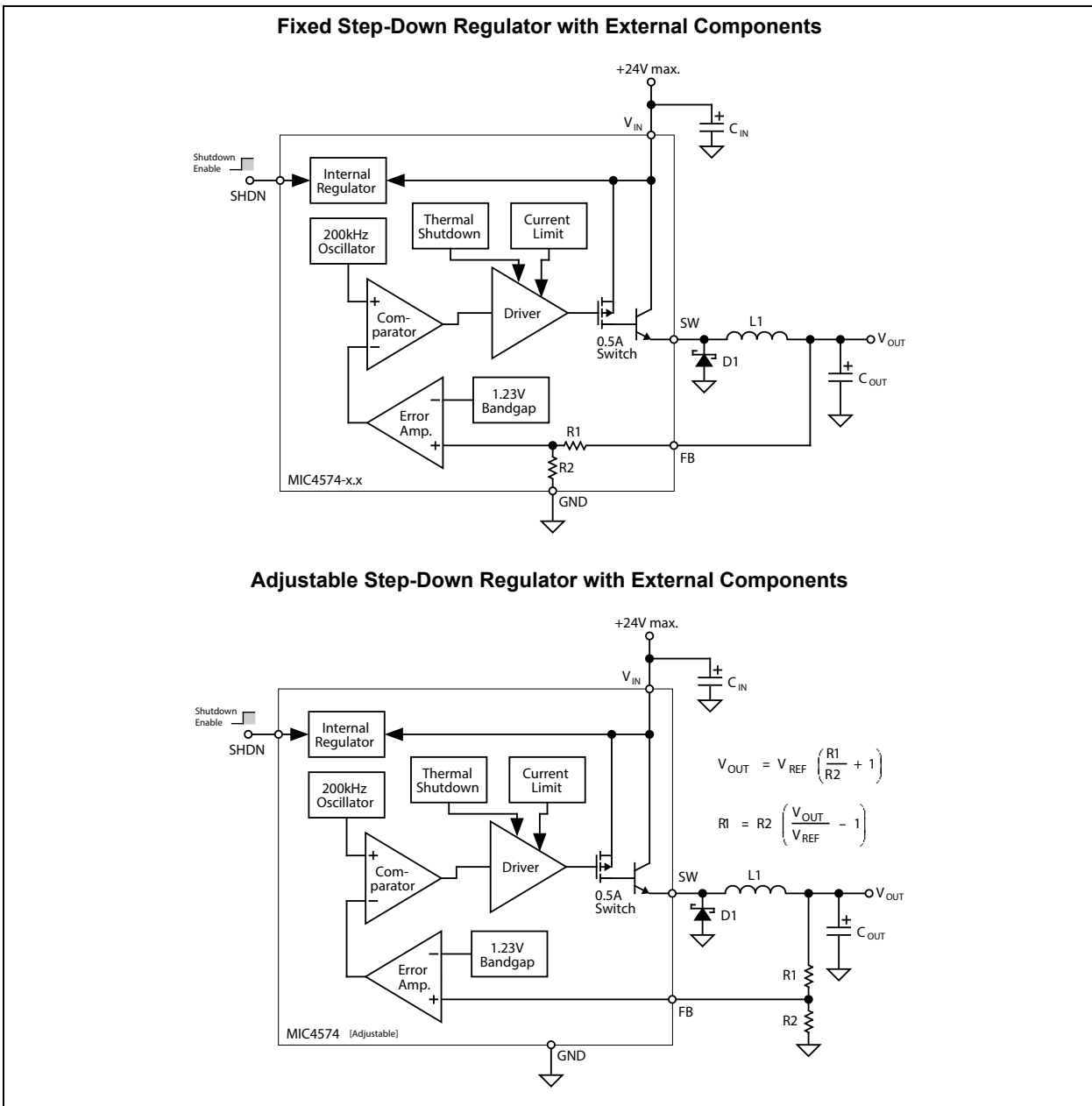


# MIC4574

## Typical Application Circuit



## Functional Block Diagrams



## 1.0 ELECTRICAL CHARACTERISTICS

### Absolute Maximum Ratings †

Supply Voltage ( $V_{IN}$ , <a href="#">Note 1</a> ).....	+40V
Shutdown Voltage ( $V_{SHDN}$ ).....	-0.3V to +36V
Output Switch ( $V_{SW}$ , Steady State).....	-1V
Junction Temperature ( $T_J$ ).....	+150°C
Storage Temperature.....	-65°C to +150°C
ESD Rating.....	<a href="#">Note 2</a>

### Operating Ratings ††

Supply Voltage ( $V_{IN}$ ).....	+24V
Package Thermal Resistance 8-Lead Plastic DIP ( $\theta_{JA}$ ).....	130°C/W

**† Notice:** Stresses above those listed under “Absolute Maximum Ratings” may cause permanent damage to the device. This is a stress rating only and functional operation of the device at those or any other conditions above those indicated in the operational sections of this specification is not intended. Exposure to maximum rating conditions for extended periods may affect device reliability.

**†† Notice:** The device is not guaranteed to function outside its operating ratings.

**Note 1:** The MIC4574 is not guaranteed to survive a short-circuit to ground for input voltages above 24V.

**2:** Device is ESD sensitive. Handling precautions recommended.

# MIC4574

## ELECTRICAL CHARACTERISTICS

Electrical Characteristics:  $V_{IN} = 12V$ ;  $I_{LOAD} = 100\text{ mA}$ ;  $T_A = +25^\circ\text{C}$ , **bold** values indicate  $-40^\circ\text{C} \leq T_A \leq +85^\circ\text{C}$ ; unless noted. [Note 1](#)

Parameter	Sym.	Min.	Typ.	Max.	Units	Conditions
<b>MIC4574 (Adjustable)</b>						
Feedback Voltage	$V_{FB}$	1.217	1.230	1.243	V	—
Feedback Voltage	$V_{FB}$	1.193	1.230	1.267	V	$8V \leq V_{IN} \leq 24V$ , $0.1A \leq I_{LOAD} \leq 0.5A$
		<b>1.180</b>	—	<b>1.280</b>		
Efficiency		—	77	—	%	$I_{LOAD} = 0.5A$ , $V_{OUT} = 5V$
Feedback Bias Current	$I_{BIAS}$	—	50	100	nA	—
		—	—	<b>500</b>		
<b>MIC4574-3.3</b>						
Output Voltage	$V_{OUT}$	3.234	3.3	3.366	V	—
Output Voltage	$V_{OUT}$	3.168	3.3	3.432	V	$6V \leq V_{IN} \leq 24V$ , $0.1A \leq I_{LOAD} \leq 0.5A$
		<b>3.135</b>	—	<b>3.465</b>		
Efficiency		—	72	—	%	—
<b>MIC4574-5.0</b>						
Output Voltage	$V_{OUT}$	4.9	5.0	5.1	V	—
Output Voltage	$V_{OUT}$	4.8	5.0	5.2	V	$8V \leq V_{IN} \leq 24V$ , $0.1A \leq I_{LOAD} \leq 0.5A$
		<b>4.75</b>	—	<b>5.25</b>		
Efficiency		—	77	—	%	—
<b>MIC4574/-3.3/-5.0</b>						
Oscillator Frequency	$f_O$	180	200	220	kHz	—
Saturation Voltage	$V_{SAT}$	—	1	1.3	V	$I_{OUT} = 0.5A$
		—	—	<b>1.5</b>		
Maximum Duty Cycle (On)	$D_{MAX}$	90	95	—	%	FB connected to 0V
Current Limit	$I_{LIM}$	0.7	1.0	1.6	A	Peak Current, $t_{ON} \leq 3\text{ }\mu\text{s}$
		<b>0.65</b>	—	<b>1.8</b>		
Output Leakage Current	$I_{OUT}$	—	0	2	mA	Output = 0V, $V_{IN} = 24V$ , FB connected to 6V
		—	7.5	35		Output = -1V, $V_{IN} = 24V$ , FB connected to 6V
Quiescent Current	$I_Q$	—	5	10	mA	—
Standby Quiescent Current	$I_{Q(STBY)}$	—	50	200	$\mu\text{A}$	SHDN = 5V (regulator off)
SHDN Input Logic Level		2.2	1.4	—	V	$V_{OUT} = 0V$ (regulator off)
		<b>2.4</b>	—	—		
		—	1.2	1.0		$V_{OUT} = 3.3V$ or $5V$ (regulator on)
		—	—	<b>0.8</b>		
SHDN Input Current		—	4	30	$\mu\text{A}$	SHDN = 5V (regulator off)
		-10	0.01	10		SHDN = 0V (regulator on)

**Note 1:** Specification for packaged product only.

---

**TEMPERATURE SPECIFICATIONS**

Parameters	Sym.	Min.	Typ.	Max.	Units	Conditions
<b>Temperature Ranges</b>						
Maximum Junction Temperature	$T_{J(MAX)}$	—	—	+125	°C	—
Storage Temperature Range	$T_S$	-65	—	+150	°C	—
<b>Package Thermal Resistances</b>						
Thermal Resistance, PDIP 8-Ld	$\theta_{JA}$	—	130	—	°C/W	—

**Note 1:** The maximum allowable power dissipation is a function of ambient temperature, the maximum allowable junction temperature and the thermal resistance from junction to air (i.e.,  $T_A$ ,  $T_J$ ,  $\theta_{JA}$ ). Exceeding the maximum allowable power dissipation will cause the device operating junction temperature to exceed the maximum +125°C rating. Sustained junction temperatures above +125°C can impact the device reliability.

# MIC4574

---

## 2.0 PIN DESCRIPTIONS

The descriptions of the pins are listed in [Table 2-1](#).

**TABLE 2-1: PIN FUNCTION TABLE**

Pin Number	Pin Name	Description
1	FB	Feedback (Input): Output voltage feedback to regulator. Connect to output of supply for fixed versions. Connect to 1.23V tap of resistive divider for adjustable versions.
2	SGND	Signal ground.
3	SHDN	Shutdown (Input): Logic low enables regulator. Logic high (> 2.4V) shuts down regulator.
4	PGND	Power ground.
5	VIN	Supply Voltage (Input): Unregulated +4V to +24V supply voltage.
7	SW	Switch (Output): Emitter of NPN output switch. Connect to external storage inductor and Schottky diode.
6, 8	NC	Not internally connected. Solder to printed circuit for maximum heat transfer.

## 3.0 FUNCTIONAL DESCRIPTION

The MIC4574 is a variable duty cycle switch-mode regulator with an internal power switch. Refer to the [Functional Block Diagrams](#).

### 3.1 Supply Voltage

The MIC4574 operates from a +4V to +24V unregulated input. Highest efficiency operation is from a supply voltage below +15V.

### 3.2 Enable/Shutdown

The shutdown (SHDN) input is TTL-compatible. Ground the input if unused. A logic low enables the regulator. A logic high shuts down the internal regulator, which reduces the current to typically 50  $\mu$ A.

### 3.3 Feedback

Fixed versions of the regulator have an internal resistive divider from the feedback (FB) pin. Connect FB directly to the output line.

Adjustable versions require an external resistive voltage divider from the output voltage to ground, connected from the 1.23V tap to FB.

### 3.4 Duty Cycle Control

A fixed-gain error amplifier compares the feedback signal with a 1.23V bandgap voltage reference. The resulting error amplifier output voltage is compared to a 200 kHz sawtooth waveform to produce a voltage controlled variable duty cycle output.

A higher feedback voltage increases the error amplifier output voltage. A higher error amplifier voltage (comparator inverting input) causes the comparator to detect only the peaks of the sawtooth, reducing the duty cycle of the comparator output. A lower feedback voltage increases the duty cycle.

### 3.5 Output Switching

When the internal switch is on, an increasing current flows from the supply  $V_{IN}$ , through external storage inductor L1, to output capacitor  $C_{OUT}$  and the load. Energy is stored in the inductor as the current increases with time.

When the internal switch is turned off, the collapse of the magnetic field in L1 forces current to flow through fast recovery diode D1, charging  $C_{OUT}$ .

### 3.6 Output Capacitor

External output capacitor  $C_{OUT}$  provides stabilization and reduces ripple.

### 3.7 Return Paths

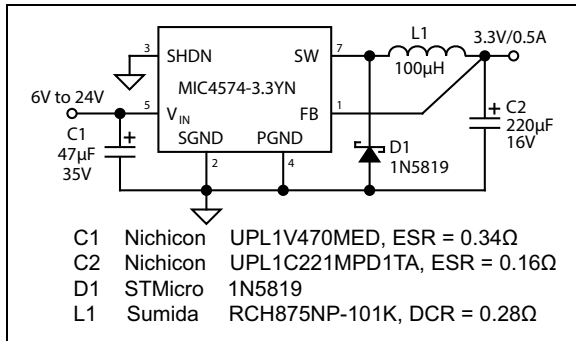
During the on portion of the cycle, the output capacitor and load currents return to the supply ground. During the off portion of the cycle, current is being supplied to the output capacitor and load by storage inductor L1, which means that D1 is part of the high-current return path.

# MIC4574

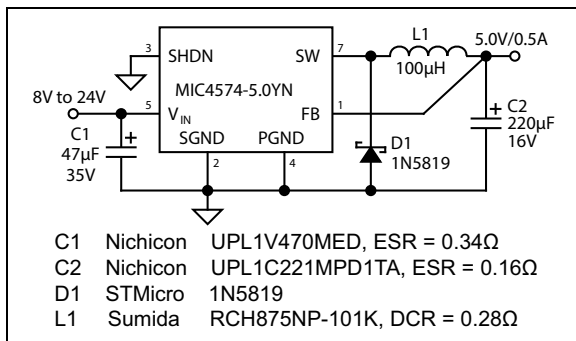
## 4.0 APPLICATION INFORMATION

The applications circuits that follow have been constructed and tested. Refer to AN 15, *Practical Switching Regulator Circuits* for additional information, including efficiency graphs and manufacturer's addresses and telephone numbers for most circuits.

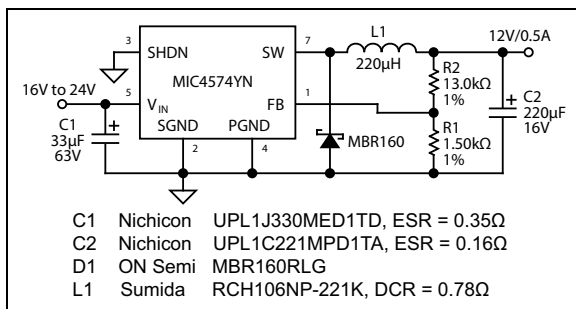
For a mathematical approach to component selection and circuit design, refer to AN 14, *200kHz MIC4574/5/6 Family Design Guide*.



**FIGURE 4-1:**  $6V_{IN} - 24V_{IN}$  to 3.3V/0.5A Buck Converter Through Hole.



**FIGURE 4-2:**  $8V_{IN} - 24V_{IN}$  to 5V/0.5A Buck Converter Through Hole.



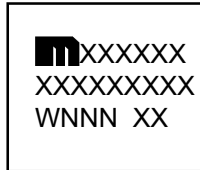
**FIGURE 4-3:**  $16V_{IN} - 24V_{IN}$  to 12V/0.5A Buck Converter Through Hole.



## 5.0 PACKAGING INFORMATION

### 5.1 Package Marking Information

#### 8-Lead PDIP\*



#### Example



<b>Legend:</b>	XX...X	Product code or customer-specific information
	Y	Year code (last digit of calendar year)
	YY	Year code (last 2 digits of calendar year)
	WW	Week code (week of January 1 is week '01')
	NNN	Alphanumeric traceability code
	(e3)	Pb-free JEDEC® designator for Matte Tin (Sn)
	*	This package is Pb-free. The Pb-free JEDEC designator (e3) can be found on the outer packaging for this package.
	•, ▲, ▼	Pin one index is identified by a dot, delta up, or delta down (triangle mark).
<b>Note:</b>	In the event the full Microchip part number cannot be marked on one line, it will be carried over to the next line, thus limiting the number of available characters for customer-specific information. Package may or may not include the corporate logo.	
	Underbar ( ¯ ) and/or Overbar ( ¯ ) symbol may not be to scale.	



## APPENDIX A: REVISION HISTORY

### Revision A (December 2020)

- Converted Micrel document MIC4574 to Microchip data sheet template DS20006472A.
- Minor grammatical text changes throughout.

# MIC4574

---

NOTES:

## PRODUCT IDENTIFICATION SYSTEM

To order or obtain information, e.g., on pricing or delivery, contact your local Microchip representative or sales office.

Device	-X.X	X	XX	-XX	
Part No.	Output Voltage	Junction Temp. Range	Package	Media Type	
<b>Device:</b>	MIC4574:	0.5A, 200 kHz Step-Down Regulator			
	3.3 =	3.3V Fixed			
<b>Output Voltage:</b>	5.0 =	5.0V Fixed			
	<blank> =	Adjustable			
<b>Junction Temperature Range:</b>	Y =	-40°C to +85°C, RoHS-Compliant			
<b>Package:</b>	N =	8-Lead Plastic DIP			
<b>Media Type:</b>	<blank> =	50/Tube			
<b>Examples:</b>					
a) MIC4574-3.3YN:					MIC4574, 3.3V Fixed Output Voltage, -40°C to +85°C Temperature Range, 8-Lead PDIP, 50/Tube
b) MIC4574-5.0YN:					MIC4574, 5.0V Fixed Output Voltage, -40°C to +85°C Temperature Range, 8-Lead PDIP, 50/Tube
c) MIC4574YN:					MIC4574, Adjustable Output Voltage, -40°C to +85°C Temperature Range, 8-Lead PDIP, 50/Tube

# MIC4574

---

NOTES:

---

**Note the following details of the code protection feature on Microchip devices:**

- Microchip products meet the specifications contained in their particular Microchip Data Sheet.
- Microchip believes that its family of products is secure when used in the intended manner and under normal conditions.
- There are dishonest and possibly illegal methods being used in attempts to breach the code protection features of the Microchip devices. We believe that these methods require using the Microchip products in a manner outside the operating specifications contained in Microchip's Data Sheets. Attempts to breach these code protection features, most likely, cannot be accomplished without violating Microchip's intellectual property rights.
- Microchip is willing to work with any customer who is concerned about the integrity of its code.
- Neither Microchip nor any other semiconductor manufacturer can guarantee the security of its code. Code protection does not mean that we are guaranteeing the product is "unbreakable." Code protection is constantly evolving. We at Microchip are committed to continuously improving the code protection features of our products. Attempts to break Microchip's code protection feature may be a violation of the Digital Millennium Copyright Act. If such acts allow unauthorized access to your software or other copyrighted work, you may have a right to sue for relief under that Act.

---

Information contained in this publication is provided for the sole purpose of designing with and using Microchip products. Information regarding device applications and the like is provided only for your convenience and may be superseded by updates. It is your responsibility to ensure that your application meets with your specifications.

THIS INFORMATION IS PROVIDED BY MICROCHIP "AS IS". MICROCHIP MAKES NO REPRESENTATIONS OR WARRANTIES OF ANY KIND WHETHER EXPRESS OR IMPLIED, WRITTEN OR ORAL, STATUTORY OR OTHERWISE, RELATED TO THE INFORMATION INCLUDING BUT NOT LIMITED TO ANY IMPLIED WARRANTIES OF NON-INFRINGEMENT, MERCHANTABILITY, AND FITNESS FOR A PARTICULAR PURPOSE OR WARRANTIES RELATED TO ITS CONDITION, QUALITY, OR PERFORMANCE.

IN NO EVENT WILL MICROCHIP BE LIABLE FOR ANY INDIRECT, SPECIAL, PUNITIVE, INCIDENTAL OR CONSEQUENTIAL LOSS, DAMAGE, COST OR EXPENSE OF ANY KIND WHATSOEVER RELATED TO THE INFORMATION OR ITS USE, HOWEVER CAUSED, EVEN IF MICROCHIP HAS BEEN ADVISED OF THE POSSIBILITY OR THE DAMAGES ARE FORESEEABLE. TO THE FULLEST EXTENT ALLOWED BY LAW, MICROCHIP'S TOTAL LIABILITY ON ALL CLAIMS IN ANY WAY RELATED TO THE INFORMATION OR ITS USE WILL NOT EXCEED THE AMOUNT OF FEES, IF ANY, THAT YOU HAVE PAID DIRECTLY TO MICROCHIP FOR THE INFORMATION. Use of Microchip devices in life support and/or safety applications is entirely at the buyer's risk, and the buyer agrees to defend, indemnify and hold harmless Microchip from any and all damages, claims, suits, or expenses resulting from such use. No licenses are conveyed, implicitly or otherwise, under any Microchip intellectual property rights unless otherwise stated.

**Trademarks**

The Microchip name and logo, the Microchip logo, Adaptec, AnyRate, AVR, AVR logo, AVR Freaks, BesTime, BitCloud, chipKIT, chipKIT logo, CryptoMemory, CryptoRF, dsPIC, FlashFlex, flexPWR, HELDO, IGL00, JukeBlox, KeeLoq, Kleer, LANCheck, LinkMD, maXStylus, maXTouch, MediaLB, megaAVR, Microsemi, Microsemi logo, MOST, MOST logo, MPLAB, OptoLyzer, PackeTime, PIC, picoPower, PICSTART, PIC32 logo, PolarFire, Prochip Designer, QTouch, SAM-BA, SenGenuity, SpyNIC, SST, SST Logo, SuperFlash, Symmetricom, SyncServer, Tachyon, TimeSource, tinyAVR, UNI/O, Vectron, and XMEGA are registered trademarks of Microchip Technology Incorporated in the U.S.A. and other countries.

AgileSwitch, APT, ClockWorks, The Embedded Control Solutions Company, EtherSynch, FlashTec, Hyper Speed Control, HyperLight Load, IntelliMOS, Libero, motorBench, mTouch, Powermite 3, Precision Edge, ProASIC, ProASIC Plus, ProASIC Plus logo, Quiet-Wire, SmartFusion, SyncWorld, Temux, TimeCesium, TimeHub, TimePictra, TimeProvider, WinPath, and ZL are registered trademarks of Microchip Technology Incorporated in the U.S.A.

Adjacent Key Suppression, AKS, Analog-for-the-Digital Age, Any Capacitor, AnyIn, AnyOut, Augmented Switching, BlueSky, BodyCom, CodeGuard, CryptoAuthentication, CryptoAutomotive, CryptoCompanion, CryptoController, dsPICDEM, dsPICDEM.net, Dynamic Average Matching, DAM, ECAN, Espresso T1S, EtherGREEN, IdealBridge, In-Circuit Serial Programming, ICSP, INICnet, Intelligent Paralleling, Inter-Chip Connectivity, JitterBlocker, maxCrypto, maxView, memBrain, Mindi, MiWi, MPASM, MPF, MPLAB Certified logo, MPLIB, MPLINK, MultiTRAK, NetDetach, Omniscient Code Generation, PICDEM, PICDEM.net, PICkit, PICtail, PowerSmart, PureSilicon, QMatrix, REAL ICE, Ripple Blocker, RTAX, RTG4, SAM-ICE, Serial Quad I/O, simpleMAP, SimpliPHY, SmartBuffer, SMART-I.S., storClad, SQI, SuperSwitcher, SuperSwitcher II, Switchtec, SynchroPHY, Total Endurance, TSHARC, USBCheck, VariSense, VectorBlox, VeriPHY, ViewSpan, WiperLock, XpressConnect, and ZENA are trademarks of Microchip Technology Incorporated in the U.S.A. and other countries.

SQTP is a service mark of Microchip Technology Incorporated in the U.S.A.

The Adaptec logo, Frequency on Demand, Silicon Storage Technology, and Symmcom are registered trademarks of Microchip Technology Inc. in other countries.

GestIC is a registered trademark of Microchip Technology Germany II GmbH & Co. KG, a subsidiary of Microchip Technology Inc., in other countries.

All other trademarks mentioned herein are property of their respective companies.

© 2020, Microchip Technology Incorporated, All Rights Reserved.

ISBN: 978-1-5224-7357-2

For information regarding Microchip's Quality Management Systems, please visit [www.microchip.com/quality](http://www.microchip.com/quality).



# MICROCHIP

## Worldwide Sales and Service

### AMERICAS

**Corporate Office**  
2355 West Chandler Blvd.  
Chandler, AZ 85224-6199  
Tel: 480-792-7200  
Fax: 480-792-7277  
Technical Support:  
<http://www.microchip.com/support>  
Web Address:  
[www.microchip.com](http://www.microchip.com)

#### Atlanta

Duluth, GA  
Tel: 678-957-9614  
Fax: 678-957-1455

#### Austin, TX

Tel: 512-257-3370

#### Boston

Westborough, MA  
Tel: 774-760-0087  
Fax: 774-760-0088

#### Chicago

Itasca, IL  
Tel: 630-285-0071  
Fax: 630-285-0075

#### Dallas

Addison, TX  
Tel: 972-818-7423  
Fax: 972-818-2924

#### Detroit

Novi, MI  
Tel: 248-848-4000

#### Houston, TX

Tel: 281-894-5983

#### Indianapolis

Noblesville, IN  
Tel: 317-773-8323  
Fax: 317-773-5453  
Tel: 317-536-2380

#### Los Angeles

Mission Viejo, CA  
Tel: 949-462-9523  
Fax: 949-462-9608  
Tel: 951-273-7800

#### Raleigh, NC

Tel: 919-844-7510

#### New York, NY

Tel: 631-435-6000

#### San Jose, CA

Tel: 408-735-9110  
Tel: 408-436-4270

#### Canada - Toronto

Tel: 905-695-1980  
Fax: 905-695-2078

### ASIA/PACIFIC

**Australia - Sydney**  
Tel: 61-2-9868-6733

**China - Beijing**  
Tel: 86-10-8569-7000

**China - Chengdu**  
Tel: 86-28-8665-5511

**China - Chongqing**  
Tel: 86-23-8980-9588

**China - Dongguan**  
Tel: 86-769-8702-9880

**China - Guangzhou**  
Tel: 86-20-8755-8029

**China - Hangzhou**  
Tel: 86-571-8792-8115

**China - Hong Kong SAR**  
Tel: 852-2943-5100

**China - Nanjing**  
Tel: 86-25-8473-2460

**China - Qingdao**  
Tel: 86-532-8502-7355

**China - Shanghai**  
Tel: 86-21-3326-8000

**China - Shenyang**  
Tel: 86-24-2334-2829

**China - Shenzhen**  
Tel: 86-755-8864-2200

**China - Suzhou**  
Tel: 86-186-6233-1526

**China - Wuhan**  
Tel: 86-27-5980-5300

**China - Xian**  
Tel: 86-29-8833-7252

**China - Xiamen**  
Tel: 86-592-2388138

**China - Zhuhai**  
Tel: 86-756-3210040

### ASIA/PACIFIC

**India - Bangalore**  
Tel: 91-80-3090-4444

**India - New Delhi**  
Tel: 91-11-4160-8631

**India - Pune**  
Tel: 91-20-4121-0141

**Japan - Osaka**  
Tel: 81-6-6152-7160

**Japan - Tokyo**  
Tel: 81-3-6880-3770

**Korea - Daegu**  
Tel: 82-53-744-4301

**Korea - Seoul**  
Tel: 82-2-554-7200

**Malaysia - Kuala Lumpur**  
Tel: 60-3-7651-7906

**Malaysia - Penang**  
Tel: 60-4-227-8870

**Philippines - Manila**  
Tel: 63-2-634-9065

**Singapore**  
Tel: 65-6334-8870

**Taiwan - Hsin Chu**  
Tel: 886-3-577-8366

**Taiwan - Kaohsiung**  
Tel: 886-7-213-7830

**Taiwan - Taipei**  
Tel: 886-2-2508-8600

**Thailand - Bangkok**  
Tel: 66-2-694-1351

**Vietnam - Ho Chi Minh**  
Tel: 84-28-5448-2100

### EUROPE

**Austria - Wels**  
Tel: 43-7242-2244-39  
Fax: 43-7242-2244-393

**Denmark - Copenhagen**  
Tel: 45-4485-5910  
Fax: 45-4485-2829

**Finland - Espoo**  
Tel: 358-9-4520-820

**France - Paris**  
Tel: 33-1-69-53-63-20  
Fax: 33-1-69-30-90-79

**Germany - Garching**  
Tel: 49-8931-9700

**Germany - Haan**  
Tel: 49-2129-3766400

**Germany - Heilbronn**  
Tel: 49-7131-72400

**Germany - Karlsruhe**  
Tel: 49-721-625370

**Germany - Munich**  
Tel: 49-89-627-144-0  
Fax: 49-89-627-144-44

**Germany - Rosenheim**  
Tel: 49-8031-354-560

**Israel - Ra'anana**  
Tel: 972-9-744-7705

**Italy - Milan**  
Tel: 39-0331-742611  
Fax: 39-0331-466781

**Italy - Padova**  
Tel: 39-049-7625286

**Netherlands - Drunen**  
Tel: 31-416-690399  
Fax: 31-416-690340

**Norway - Trondheim**  
Tel: 47-7288-4388

**Poland - Warsaw**  
Tel: 48-22-3325737

**Romania - Bucharest**  
Tel: 40-21-407-87-50

**Spain - Madrid**  
Tel: 34-91-708-08-90  
Fax: 34-91-708-08-91

**Sweden - Gothenberg**  
Tel: 46-31-704-60-40

**Sweden - Stockholm**  
Tel: 46-8-5090-4654

**UK - Wokingham**  
Tel: 44-118-921-5800  
Fax: 44-118-921-5820