



Integrated Device Technology, Inc.

HIGH-PERFORMANCE CMOS BUS INTERFACE REGISTERS

IDT54/74FCT821AT/BT/CT
IDT54/74FCT823AT/BT/CT/DT
IDT54/74FCT825AT/BT/CT

FEATURES:

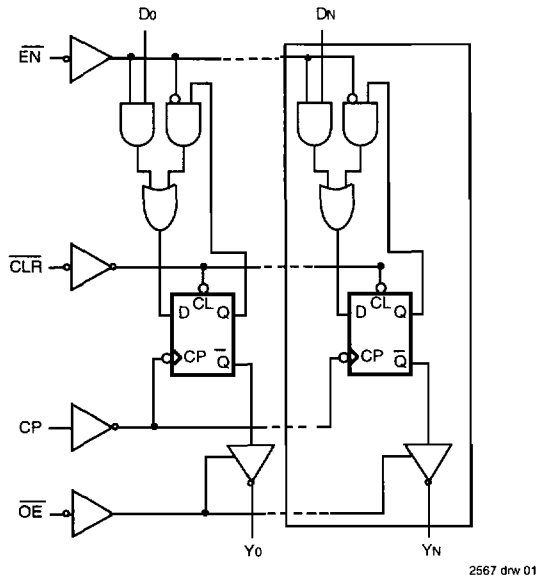
- **Common features:**
 - Low input and output leakage $\leq 1\mu\text{A}$ (max.)
 - CMOS power levels
 - True TTL input and output compatibility
 - $V_{OH} = 3.3\text{V}$ (typ.)
 - $V_{OL} = 0.3\text{V}$ (typ.)
 - Meets or exceeds JEDEC standard 18 specifications
 - Product available in Radiation Tolerant and Radiation Enhanced versions
 - Military product compliant to MIL-STD-883, Class B and DESC listed (dual marked)
 - Available in DIP, SOIC, SSOP, QSOP, CERPACK and LCC packages
- **Features for FCT821T/FCT823T/FCT825T:**
 - A, B, C and D speed grades
 - High drive outputs (-15mA IOH, 48mA IOL)
 - Power off disable outputs permit "live insertion"

DESCRIPTION:

The FCT82xT series is built using an advanced dual metal CMOS technology. The FCT82xT series bus interface registers are designed to eliminate the extra packages required to buffer existing registers and provide extra data width for wider address/data paths or buses carrying parity. The FCT821T are buffered, 10-bit wide versions of the popular FCT374T function. The FCT823T are 9-bit wide buffered registers with Clock Enable ($\overline{\text{EN}}$) and Clear ($\overline{\text{CLR}}$) – ideal for parity bus interfacing in high-performance microprogrammed systems. The FCT825T are 8-bit buffered registers with all the FCT823T controls plus multiple enables ($\overline{\text{OE1}}$, $\overline{\text{OE2}}$, $\overline{\text{OE3}}$) to allow multi-user control of the interface, e.g., $\overline{\text{CS}}$, DMA and $\text{RD}/\overline{\text{WR}}$. They are ideal for use as an output port requiring high IOH/IOH.

The FCT82xT high-performance interface family can drive large capacitive loads, while providing low-capacitance bus loading at both inputs and outputs. All inputs have clamp diodes and all outputs are designed for low-capacitance bus loading in high-impedance state.

FUNCTIONAL BLOCK DIAGRAM



6

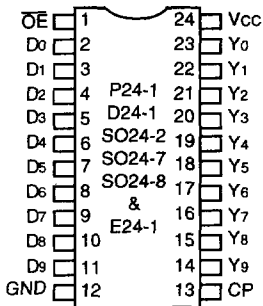
The IDT logo is a registered trademark of Integrated Device Technology, Inc.

MILITARY AND COMMERCIAL TEMPERATURE RANGES

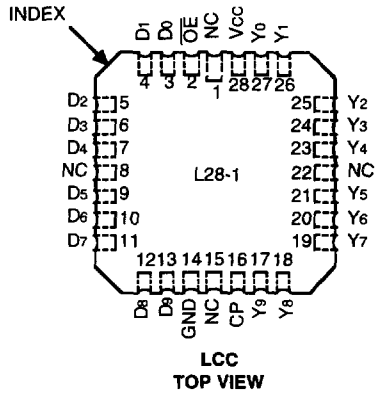
JUNE 1996

PIN CONFIGURATIONS

FCT821 10-BIT REGISTER

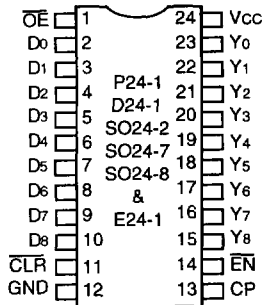


**DIP/SOIC/SSOP/QSOP/CERPACK
 TOP VIEW**

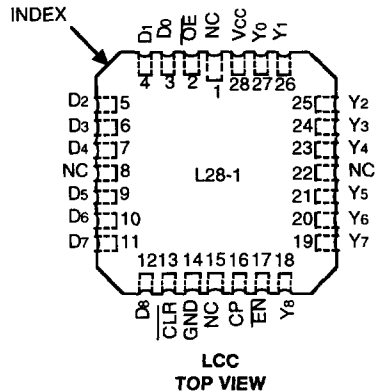


2567 drw 02

FCT823 9-BIT REGISTER

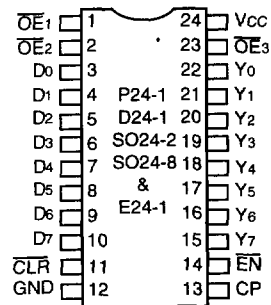


**DIP/SOIC/SSOP/QSOP/CERPACK
 TOP VIEW**

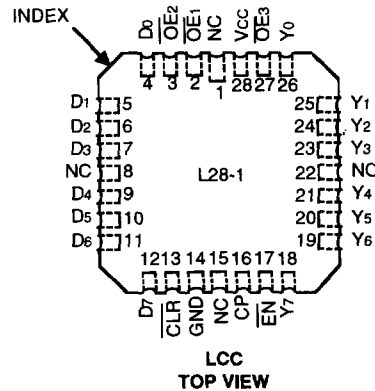


2567 drw 03

FCT825 8-BIT REGISTER



**DIP/SOIC/QSOP/CERPACK
 TOP VIEW**



2567 drw 04

PIN DESCRIPTION

Names	I/O	Description
DI	I	The D flip-flop data inputs.
$\overline{\text{CLR}}$	I	When the clear input is LOW and $\overline{\text{OE}}$ is LOW, the QI outputs are LOW. When the clear input is HIGH, data can be entered into the register.
CP	I	Clock Pulse for the Register; enters data into the register on the LOW-to-HIGH transition.
YI	O	The register 3-state outputs.
$\overline{\text{EN}}$	I	Clock Enable. When the clock enable is LOW, data on the DI input is transferred to the QI output on the LOW-to-HIGH clock transition. When the clock enable is HIGH, the QI outputs do not change state, regardless of the data or clock input transitions.
$\overline{\text{OE}}$	I	Output Control. When the $\overline{\text{OE}}$ input is HIGH, the YI outputs are in the high-impedance state. When the $\overline{\text{OE}}$ input is LOW, the TRUE register data is present at the YI outputs.

2567 tbl 01

FUNCTION TABLE⁽¹⁾

Inputs					Internal/Outputs		Function
$\overline{\text{OE}}$	$\overline{\text{CLR}}$	$\overline{\text{EN}}$	DI	CP	QI	YI	
H	H	L	L	↑	L	Z	High Z
H	H	L	H	↑	H	Z	
H	L	X	X	X	L	Z	Clear
L	L	X	X	X	L	L	
H	H	H	X	X	NC	Z	Hold
L	H	H	X	X	NC	NC	
H	H	L	L	↑	L	Z	Load
H	H	L	H	↑	H	Z	
L	H	L	L	↑	L	L	
L	H	L	H	↑	H	H	

NOTE:

- H = HIGH
L = LOW
X = Don't Care
NC = No Change
↑ = LOW-to-HIGH Transition
Z = High Impedance

2567 tbl 02

ABSOLUTE MAXIMUM RATINGS⁽¹⁾

Symbol	Rating	Commercial	Military	Unit
VTERM ⁽²⁾	Terminal Voltage with Respect to GND	-0.5 to +7.0	-0.5 to +7.0	V
VTERM ⁽³⁾	Terminal Voltage with Respect to GND	-0.5 to Vcc +0.5	-0.5 to Vcc +0.5	V
TA	Operating Temperature	0 to +70	-55 to +125	°C
TBIAS	Temperature Under Bias	-55 to +125	-65 to +135	°C
TSTG	Storage Temperature	-55 to +125	-65 to +150	°C
PT	Power Dissipation	0.5	0.5	W
IOUT	DC Output Current	-60 to +120	-60 to +120	mA

2567 lmk 03

NOTES:

- Stresses greater than those listed under ABSOLUTE MAXIMUM RATINGS may cause permanent damage to the device. This is a stress rating only and functional operation of the device at these or any other conditions above those indicated in the operational sections of this specification is not implied. Exposure to absolute maximum rating conditions for extended periods may affect reliability. No terminal voltage may exceed Vcc by +0.5V unless otherwise noted.
- Input and Vcc terminals only.
- Outputs and I/O terminals only.

CAPACITANCE (TA = +25°C, f = 1.0MHz)

Symbol	Parameter ⁽¹⁾	Conditions	Typ.	Max.	Unit
CIN	Input Capacitance	VIN = 0V	6	10	pF
COUT	Output Capacitance	VOUT = 0V	8	12	pF

NOTE:

- This parameter is measured at characterization but not tested.

2567 lmk 04



DC ELECTRICAL CHARACTERISTICS OVER OPERATING RANGE

Following Conditions Apply Unless Otherwise Specified:

Commercial: TA = 0°C to +70°C, VCC = 5.0V ± 5%; Military: TA = -55°C to +125°C, VCC = 5.0V ± 10%

Symbol	Parameter	Test Conditions ⁽¹⁾		Min.	Typ. ⁽²⁾	Max.	Unit
V _{IH}	Input HIGH Level	Guaranteed Logic HIGH Level		2.0	—	—	V
V _{IL}	Input LOW Level	Guaranteed Logic LOW Level		—	—	0.8	V
I _{IH}	Input HIGH Current ⁽⁴⁾	V _{CC} = Max.	V _I = 2.7V	—	—	±1	μA
I _{IL}	Input LOW Current ⁽⁴⁾		V _I = 0.5V	—	—	±1	
I _{OZH}	High Impedance Output Current (3-State Output pins) ⁽⁴⁾	V _{CC} = Max.	V _O = 2.7V	—	—	±1	μA
I _{OZL}			V _O = 0.5V	—	—	±1	
I _I	Input HIGH Current ⁽⁴⁾	V _{CC} = Max., V _I = V _{CC} (Max.)		—	—	±1	μA
V _{IK}	Clamp Diode Voltage	V _{CC} = Min., I _{IN} = -18mA		—	-0.7	-1.2	V
V _H	Input Hysteresis	—		—	200	—	mV
I _{CC}	Quiescent Power Supply Current	V _{CC} = Max., V _{IN} = GND or V _{CC}		—	0.01	1	mA

2567 Ink 05

OUTPUT DRIVE CHARACTERISTICS FOR FCT821/823/825T

Symbol	Parameter	Test Conditions ⁽¹⁾		Min.	Typ. ⁽²⁾	Max.	Unit
V _{OH}	Output HIGH Voltage	V _{CC} = Min. V _{IN} = V _{IH} or V _{IL}	I _{OH} = -6mA MIL.	2.4	3.3	—	V
			I _{OH} = -8mA COM'L.	—	—	—	—
			I _{OH} = -12mA MIL. I _{OH} = -15mA COM'L.	2.0	3.0	—	V
V _{OL}	Output LOW Voltage	V _{CC} = Min. V _{IN} = V _{IH} or V _{IL}	I _{OL} = 32mA MIL. I _{OL} = 48mA COM'L.	—	0.3	0.5	V
I _{OS}	Short Circuit Current	V _{CC} = Max., V _O = GND ⁽³⁾		-60	-120	-225	mA
I _{OFF}	Input/Output Power Off Leakage ⁽⁵⁾	V _{CC} = 0V, V _{IN} or V _O ≤ 4.5V		—	—	±1	μA

2567 Ink 06

NOTES:

- For conditions shown as Max. or Min., use appropriate value specified under Electrical Characteristics for the applicable device type.
- Typical values are at V_{CC} = 5.0V, +25°C ambient.
- Not more than one output should be shorted at one time. Duration of the short circuit test should not exceed one second.
- The test limit for this parameter is ±5μA at TA = -55°C.
- This parameter is guaranteed but not tested.

POWER SUPPLY CHARACTERISTICS

Symbol	Parameter	Test Conditions ⁽¹⁾		Min.	Typ. ⁽²⁾	Max.	Unit
ΔI_{CC}	Quiescent Power Supply Current TTL Inputs HIGH	$V_{CC} = \text{Max.}$ $V_{IN} = 3.4V^{(3)}$		—	0.5	2.0	mA
I_{CCD}	Dynamic Power Supply Current ⁽⁴⁾	$V_{CC} = \text{Max.}$ Outputs Open $\overline{OE} = \overline{EN} = \text{GND}$ One Input Toggling 50% Duty Cycle	$V_{IN} = V_{CC}$ $V_{IN} = \text{GND}$	—	0.15	0.25	mA/ MHz
I_C	Total Power Supply Current ⁽⁶⁾	$V_{CC} = \text{Max.}$ Outputs Open $f_{CP} = 10\text{MHz}$ 50% Duty Cycle $\overline{OE} = \overline{EN} = \text{GND}$ One Bit Toggling at $f_i = 5\text{MHz}$ 50% Duty Cycle	$V_{IN} = V_{CC}$ $V_{IN} = \text{GND}$	—	1.5	3.5	mA
			$V_{IN} = 3.4V$ $V_{IN} = \text{GND}$	—	2.0	5.5	
		$V_{CC} = \text{Max.}$ Outputs Open $f_{CP} = 10\text{MHz}$ 50% Duty Cycle $\overline{OE} = \overline{EN} = \text{GND}$ Eight Bits Toggling at $f_i = 2.5\text{MHz}$ 50% Duty Cycle	$V_{IN} = V_{CC}$ $V_{IN} = \text{GND}$	—	3.8	7.3 ⁽⁵⁾	
			$V_{IN} = 3.4V$ $V_{IN} = \text{GND}$	—	6.0	16.3 ⁽⁵⁾	

2567 tbl 07

NOTES:

- For conditions shown as Max. or Min., use appropriate value specified under Electrical Characteristics for the applicable device type.
- Typical values are at $V_{CC} = 5.0V$, +25°C ambient.
- Per TTL driven input ($V_{IN} = 3.4V$). All other inputs at V_{CC} or GND.
- This parameter is not directly testable, but is derived for use in Total Power Supply Calculations.
- Values for these conditions are examples of the I_{CC} formula. These limits are guaranteed but not tested.
- $I_C = I_{\text{QUIESCENT}} + I_{\text{INPUTS}} + I_{\text{DYNAMIC}}$
 $I_C = I_{CC} + \Delta I_{CC} D_H N_T + I_{CCD} (f_{CP}/2 + f_i N_i)$
 I_{CC} = Quiescent Current
 ΔI_{CC} = Power Supply Current for a TTL High Input ($V_{IN} = 3.4V$)
 D_H = Duty Cycle for TTL Inputs High
 N_T = Number of TTL Inputs at D_H
 I_{CCD} = Dynamic Current Caused by an Input Transition Pair (HLH or LHL)
 f_{CP} = Clock Frequency for Register Devices (Zero for Non-Register Devices)
 f_i = Input Frequency
 N_i = Number of Inputs at f_i
 All currents are in milliamps and all frequencies are in megahertz.



SWITCHING CHARACTERISTICS OVER OPERATING RANGE

Symbol	Parameter	Condition ⁽¹⁾	FCT821/823/825AT				FCT821/823/825BT				Unit
			Com'l.		Mil.		Com'l.		Mil.		
			Min. ⁽²⁾	Max.	Min. ⁽²⁾	Max.	Min. ⁽²⁾	Max.	Min. ⁽²⁾	Max.	
tPLH tPHL	Propagation Delay CP to Y _i (\overline{OE} = LOW)	CL = 50pF RL = 500Ω	1.5	10.0	1.5	11.5	1.5	7.5	1.5	8.5	ns
		CL = 300pF ⁽⁴⁾ RL = 500Ω	1.5	20.0	1.5	20.0	1.5	15.0	1.5	16.0	
tSU	Set-up Time HIGH or LOW Dt to CP	CL = 50pF RL = 500Ω	4.0	—	4.0	—	3.0	—	3.0	—	ns
tH	Hold Time HIGH or LOW Dt to CP		2.0	—	2.0	—	1.5	—	1.5	—	ns
tSU	Set-up Time HIGH or LOW \overline{EN} to CP		4.0	—	4.0	—	3.0	—	3.0	—	ns
tH	Hold Time HIGH or LOW \overline{EN} to CP		2.0	—	2.0	—	0	—	0	—	ns
tPHL	Propagation Delay, \overline{CLR} to Y _i		1.5	14.0	1.5	15.0	1.5	9.0	1.5	9.5	ns
tREM	Recovery Time \overline{CLR} to CP		6.0	—	7.0	—	6.0	—	6.0	—	ns
tw	Clock Pulse Width HIGH or LOW		7.0	—	7.0	—	6.0	—	6.0	—	ns
tw	\overline{CLR} Pulse Width LOW		6.0	—	7.0	—	6.0	—	6.0	—	ns
tPZH tPZL	Output Enable Time \overline{OE} to Y _i	CL = 50pF RL = 500Ω	1.5	12.0	1.5	13.0	1.5	8.0	1.5	9.0	ns
		CL = 300pF ⁽⁴⁾ RL = 500Ω	1.5	23.0	1.5	25.0	1.5	15.0	1.5	16.0	
tPHZ tPLZ	Output Disable Time \overline{OE} to Y _i	CL = 5pF ⁽⁴⁾ RL = 500Ω	1.5	7.0	1.5	8.0	1.5	6.5	1.5	7.0	ns
		CL = 50pF RL = 500Ω	1.5	8.0	1.5	9.0	1.5	7.5	1.5	8.0	

NOTES:

1. See test circuit and waveforms.
2. Minimum limits are guaranteed but not tested on Propagation Delays.
3. This parameter is guaranteed but not tested.
4. This condition is guaranteed but not tested.

2567 tbl 08

SWITCHING CHARACTERISTICS OVER OPERATING RANGE

Symbol	Parameter	Condition ⁽¹⁾	FCT821/823/825CT				FCT823DT		Unit
			Com'l.		Mil.		Com'l.		
			Min. ⁽²⁾	Max.	Min. ⁽²⁾	Max.	Min. ⁽²⁾	Max.	
tPLH tPHL	Propagation Delay CP to Y _i (\overline{OE} = LOW)	CL = 50pF RL = 500Ω	1.5	6.0	1.5	7.0	1.5	5.0	ns
		CL = 300pF ⁽⁴⁾ RL = 500Ω	1.5	12.5	1.5	13.5	1.5	8.5	
tSU	Set-up Time HIGH or LOW DI to CP	CL = 50pF RL = 500Ω	3.0	—	3.0	—	2.0	—	ns
tH	Hold Time HIGH or LOW DI to CP		1.5	—	1.5	—	1.0	—	ns
tSU	Set-up Time HIGH or LOW \overline{EN} to CP		3.0	—	3.0	—	3.0	—	ns
tH	Hold Time HIGH or LOW \overline{EN} to CP		0	—	0	—	0	—	ns
tPHL	Propagation Delay, \overline{CLR} to Y _i		1.5	8.0	1.5	8.5	1.5	5.0	ns
tREM	Recovery Time \overline{CLR} to CP		6.0	—	6.0	—	3.0	—	ns
tW	Clock Pulse Width HIGH or LOW ⁽³⁾		6.0	—	6.0	—	3.0	—	ns
tW	\overline{CLR} Pulse Width LOW ⁽³⁾		6.0	—	6.0	—	3.0	—	ns
tPZH tPZL	Output Enable Time \overline{OE} to Y _i		CL = 50pF RL = 500Ω	1.5	7.0	1.5	8.0	1.5	4.8
		CL = 300pF ⁽⁴⁾ RL = 500Ω	1.5	12.5	1.5	13.5	1.5	9.0	
tPHZ tPLZ	Output Disable Time \overline{OE} to Y _i	CL = 5pF ⁽⁴⁾ RL = 500Ω	1.5	6.0	1.5	6.0	1.5	4.0	ns
		CL = 50pF RL = 500Ω	1.5	6.5	1.5	6.5	1.5	4.0	

NOTES:

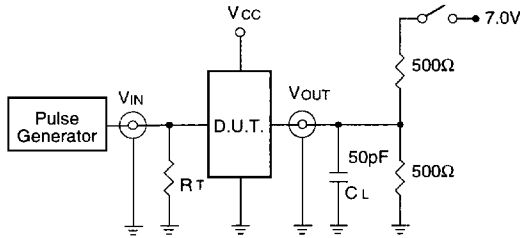
1. See test circuit and waveforms.
2. Minimum limits are guaranteed but not tested on Propagation Delays.
3. This parameter is guaranteed but not tested.
4. This condition is guaranteed but not tested.

2567 tbi 09

6

TEST CIRCUITS AND WAVEFORMS

TEST CIRCUITS FOR ALL OUTPUTS



2567 drw 05

SWITCH POSITION

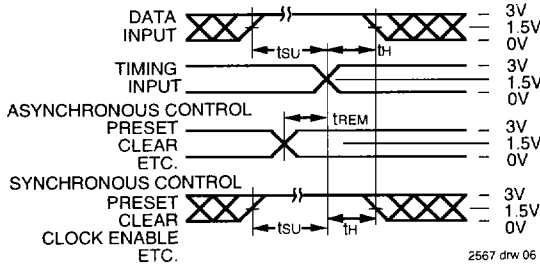
Test	Switch
Open Drain Disable Low Enable Low	Closed
All Other Tests	Open

DEFINITIONS:

CL = Load capacitance: includes jig and probe capacitance.
 RT = Termination resistance: should be equal to Zout of the Pulse Generator.

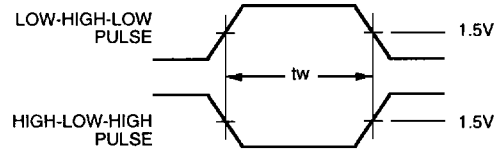
2567 Ink 10

SET-UP, HOLD AND RELEASE TIMES



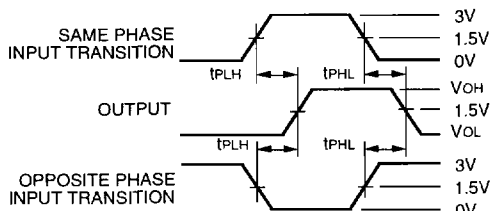
2567 drw 06

PULSE WIDTH



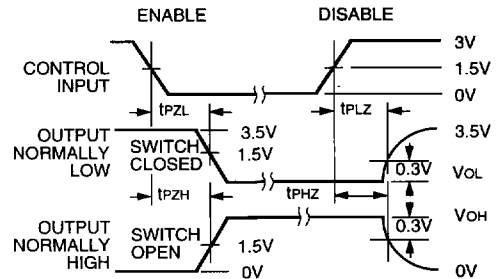
2567 drw 07

PROPAGATION DELAY



2567 drw 08

ENABLE AND DISABLE TIMES

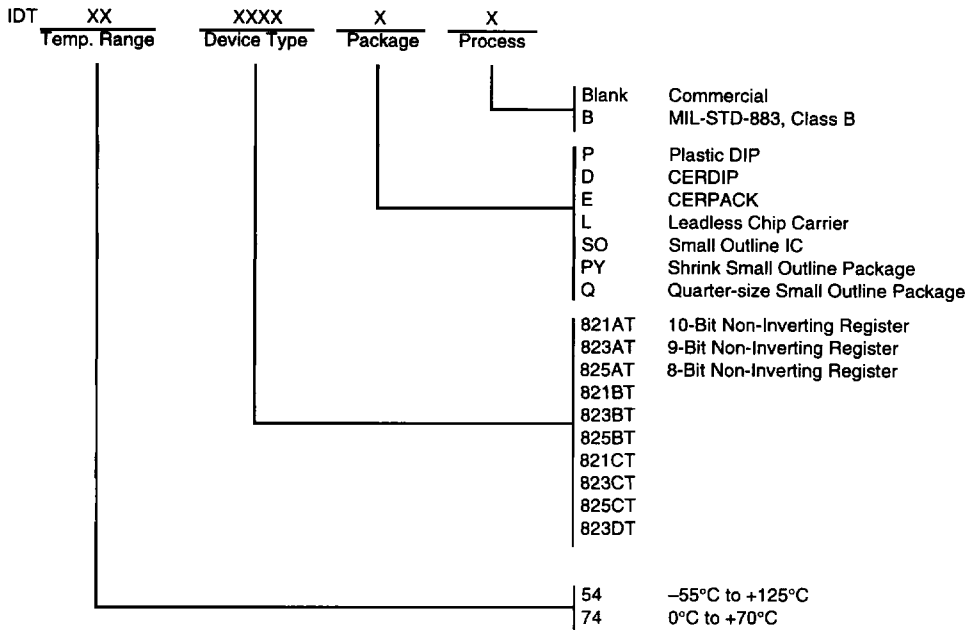


2567 drw 09

NOTES:

1. Diagram shown for input Control Enable-LOW and input Control Disable-HIGH
2. Pulse Generator for All Pulses: Rate ≤ 1.0MHz; tr ≤ 2.5ns; tr ≤ 2.5ns

ORDERING INFORMATION



2567 drw 10

