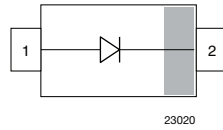
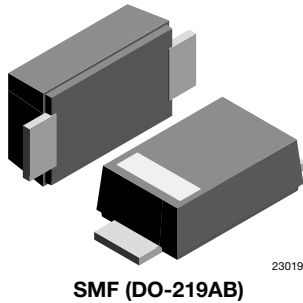


Schottky Rectifier Surface-Mount

eSMP® Series



FEATURES

- For surface mounted applications
- Low-profile package
- Ideal for automated placement
- Low power loss, high efficiency
- Meets MSL level 1, per J-STD-020, LF maximum peak of 260 °C
- Meets JESD 201 class 2 whisker test
- Wave and reflow solderable
- AEC-Q101 qualified available
- Base P/N-E3 - RoHS-compliant and commercial grade
- Base P/N-HE3 - RoHS-compliant and AEC-Q101 qualified
- Compatible to SOD-123W package case outline or SOD-123F and SOD-123FL
- Material categorization: for definitions of compliance please see www.vishay.com/doc?99912


**RoHS
COMPLIANT**

LINKS TO ADDITIONAL RESOURCES



MECHANICAL DATA

Case: SMF (DO-219AB)

Polarity: color band denotes cathode end

Weight: approx. 15 mg

Packaging codes / options:

18/10K per 13" reel (8 mm tape), MOQ = 50K

08/3K per 7" reel (8 mm tape), MOQ = 30K

Circuit configuration: single

TYPICAL APPLICATIONS

For use in high frequency inverters, freewheeling, DC/DC converters, and polarity protection in commercial, industrial, and automotive applications.

PARTS TABLE

PART	ORDERING CODE	MARKING	REMARKS
SL04	SL04-E3-18 or SL04-E3-08 SL04-HE3-18 or SL04-HE3-08	S4	Tape and reel

ABSOLUTE MAXIMUM RATINGS ($T_{amb} = 25\text{ °C}$, unless otherwise specified)

PARAMETER	TEST CONDITION	SYMBOL	VALUE	UNIT
Maximum repetitive peak reverse voltage		V_{RRM}	40	V
Maximum average forward rectified current (fig. 4)		$I_{F(AV)}$	1.1	A
Peak forward surge current 8.3 ms single half sine-wave $T_{J(\text{init})} = 25\text{ °C}$		I_{FSM}	40	A

THERMAL CHARACTERISTICS ($T_{amb} = 25\text{ °C}$, unless otherwise specified)

PARAMETER	TEST CONDITION	SYMBOL	VALUE	UNIT
Thermal resistance junction to lead		R_{thJL}	22	K/W
Thermal resistance junction to ambient air ⁽¹⁾		R_{thJA}	180	K/W
Junction temperature in DC forward current without reverse bias		T_j	175	°C
Storage temperature range		T_{stg}	-55 to +175	°C

Note

⁽¹⁾ Mounted on epoxy substrate with 3 mm x 3 mm Cu pads ($\geq 40\text{ }\mu\text{m}$ thick)

ELECTRICAL CHARACTERISTICS (T _{amb} = 25 °C, unless otherwise specified)						
PARAMETER	TEST CONDITIONS		SYMBOL	TYP.	MAX.	UNIT
Instantaneous forward voltage	I _F = 0.5 A	T _J = 25 °C	V _F ⁽¹⁾	0.41	0.47	V
	I _F = 1.1 A			0.48	0.54	
	I _F = 0.5 A	T _J = 100 °C		0.34	-	
	I _F = 1.1 A			0.43	-	
	I _F = 0.5 A	T _J = 125 °C		0.31	-	
	I _F = 1.1 A			0.42	-	
Reverse current	V _R = 40 V	T _J = 25 °C	I _R	10	20	μA
		T _J = 100 °C		1.2	2.6	mA
		T _J = 125 °C		4.5	13	mA
Typical junction capacitance	V _R = 4.0 V, 1 MHz		C _D	65	-	pF

Note

(1) Pulse test: 300 μs pulse width, 1 % duty cycle

RATINGS AND CHARACTERISTICS CURVES (T_{amb} = 25 °C, unless otherwise specified)

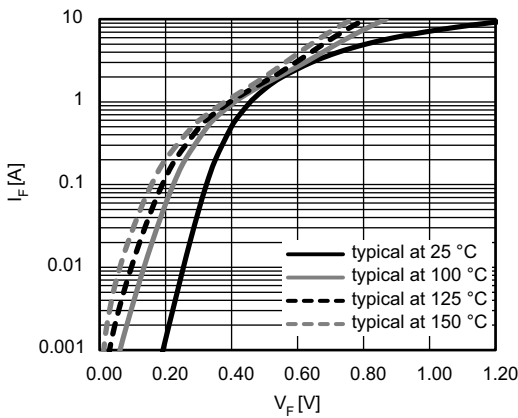


Fig. 1 - Typical Forward Characteristics

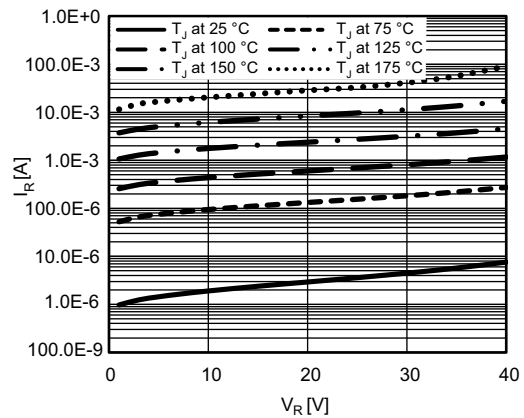


Fig. 3 - Typical Reverse Characteristics

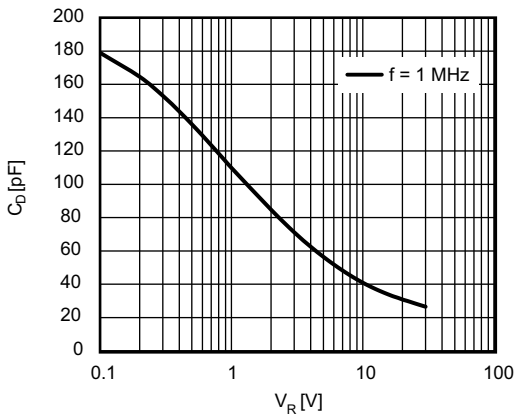


Fig. 2 - Typical Diode Capacitance vs. Reverse Voltage

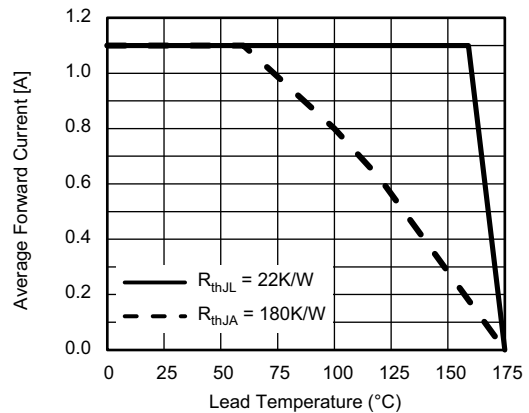


Fig. 4 - Forward Current Derating Curve

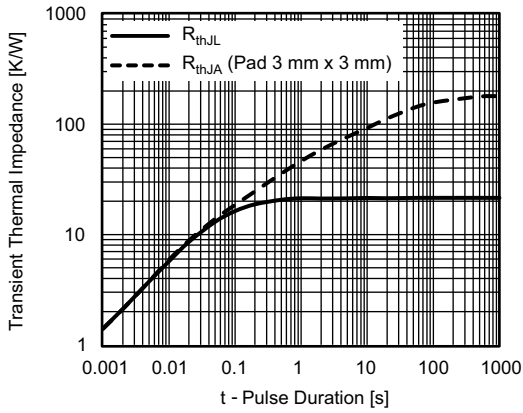
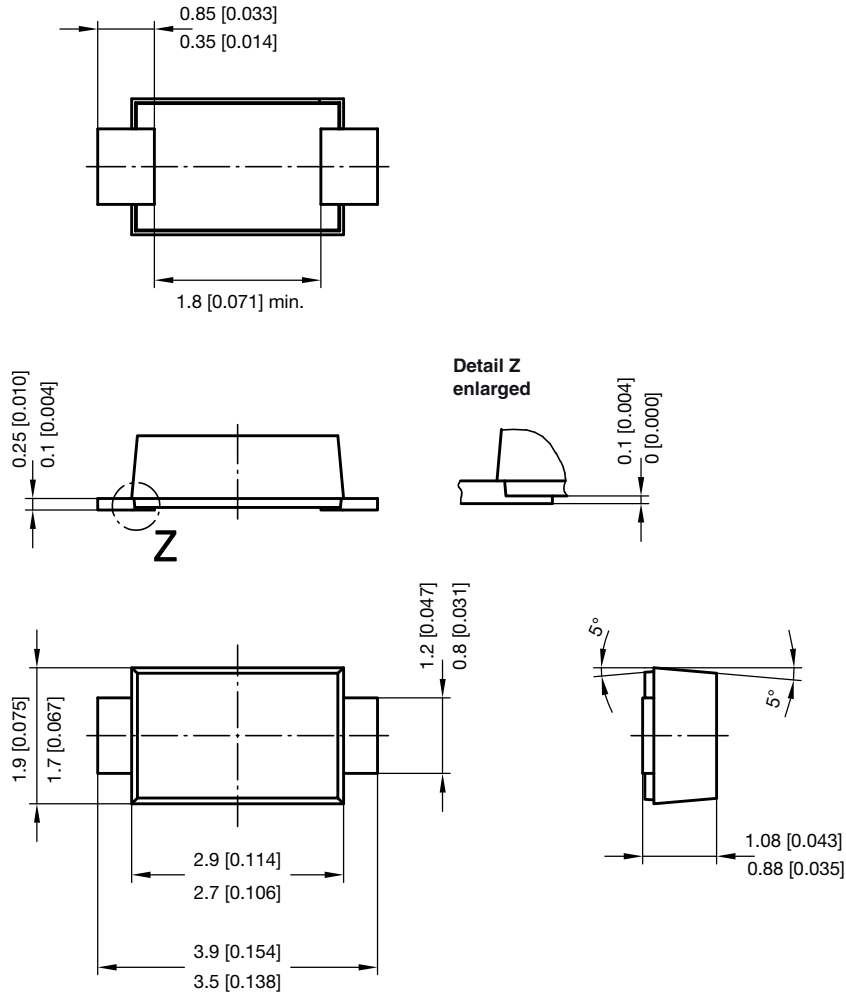
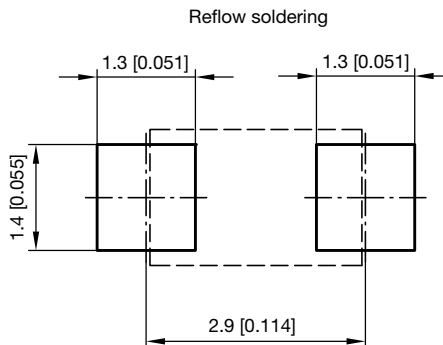


Fig. 5 - Typical Transient Thermal Impedance

PACKAGE DIMENSIONS in millimeters (inches): **SMF (DO-219AB)**

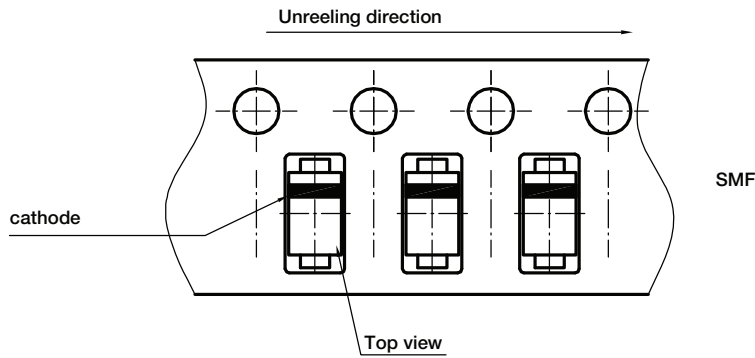


foot print recommendation:



Created - Date: 15. February 2005
 Rev. 6 - Date: 24.Feb.2021
 Document no.: S8-V-3915.01-001 (4)
 22989

ORIENTATION IN CARRIER TAPE - SMF (DO-219AB)



Document no.: S8-V-3717.02-003 (4)
Created - Date: 09. Feb. 2010
22670



Disclaimer

ALL PRODUCT, PRODUCT SPECIFICATIONS AND DATA ARE SUBJECT TO CHANGE WITHOUT NOTICE TO IMPROVE RELIABILITY, FUNCTION OR DESIGN OR OTHERWISE.

Vishay Intertechnology, Inc., its affiliates, agents, and employees, and all persons acting on its or their behalf (collectively, "Vishay"), disclaim any and all liability for any errors, inaccuracies or incompleteness contained in any datasheet or in any other disclosure relating to any product.

Vishay makes no warranty, representation or guarantee regarding the suitability of the products for any particular purpose or the continuing production of any product. To the maximum extent permitted by applicable law, Vishay disclaims (i) any and all liability arising out of the application or use of any product, (ii) any and all liability, including without limitation special, consequential or incidental damages, and (iii) any and all implied warranties, including warranties of fitness for particular purpose, non-infringement and merchantability.

Statements regarding the suitability of products for certain types of applications are based on Vishay's knowledge of typical requirements that are often placed on Vishay products in generic applications. Such statements are not binding statements about the suitability of products for a particular application. It is the customer's responsibility to validate that a particular product with the properties described in the product specification is suitable for use in a particular application. Parameters provided in datasheets and / or specifications may vary in different applications and performance may vary over time. All operating parameters, including typical parameters, must be validated for each customer application by the customer's technical experts. Product specifications do not expand or otherwise modify Vishay's terms and conditions of purchase, including but not limited to the warranty expressed therein.

Hyperlinks included in this datasheet may direct users to third-party websites. These links are provided as a convenience and for informational purposes only. Inclusion of these hyperlinks does not constitute an endorsement or an approval by Vishay of any of the products, services or opinions of the corporation, organization or individual associated with the third-party website. Vishay disclaims any and all liability and bears no responsibility for the accuracy, legality or content of the third-party website or for that of subsequent links.

Except as expressly indicated in writing, Vishay products are not designed for use in medical, life-saving, or life-sustaining applications or for any other application in which the failure of the Vishay product could result in personal injury or death. Customers using or selling Vishay products not expressly indicated for use in such applications do so at their own risk. Please contact authorized Vishay personnel to obtain written terms and conditions regarding products designed for such applications.

No license, express or implied, by estoppel or otherwise, to any intellectual property rights is granted by this document or by any conduct of Vishay. Product names and markings noted herein may be trademarks of their respective owners.