

## MM54HC05/MM74HC05 Hex Inverter (Open Drain)

### General Description

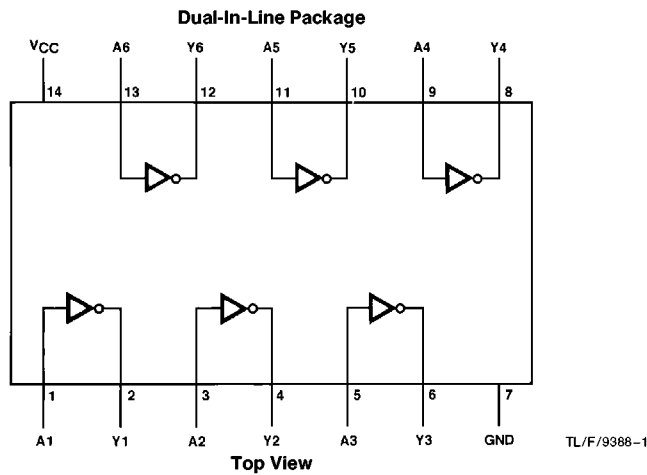
The MM54HC05/MM74HC05 are logic functions fabricated by using advanced silicon-gate CMOS technology, which provides the inherent benefits of CMOS—low quiescent power and wide power supply range. These devices are also functionally and pin-out compatible with standard DM54LS/DM74LS logic families. The MM54HC05/MM74HC05 open drain Hex Inverter requires the addition of an external resistor to perform a wire-NOR function.

All inputs are protected from static discharge damage by internal diodes to  $V_{CC}$  and ground.

### Features

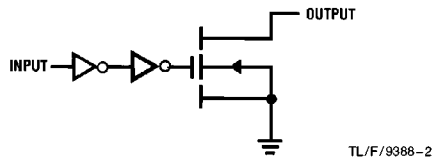
- Open drain for wire-NOR function
- Fanout of 10 LS-TTL loads
- Typical propagation delays:  
 $t_{pZL}$  (with 1 k $\Omega$  resistor) 8 ns  
 $t_{pLZ}$  (with 1 k $\Omega$  resistor) 13 ns
- Low input current: 1  $\mu$ A maximum

### Connection Diagram

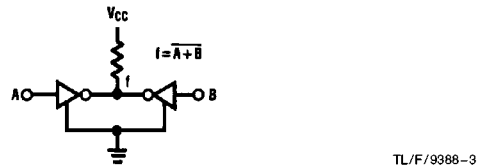


Order Number MM54HC05 or MM74HC05

### Logic Diagram



### Typical Application



Note: Can be extended to more than 2 inputs.

MM54HC05/MM74HC05 Hex Inverter (Open Drain)

## Absolute Maximum Ratings (Notes 1 & 2)

If Military/Aerospace specified devices are required, please contact the National Semiconductor Sales Office/Distributors for availability and specifications.

Supply Voltage ( $V_{CC}$ )	-0.5V to +7.0V
DC Input Voltage ( $V_{IN}$ )	-1.5V to $V_{CC} + 1.5V$
DC Output Voltage ( $V_{OUT}$ )	-0.5V to $V_{CC} + 0.5V$
Clamp Diode Current ( $I_{IK}, I_{OK}$ )	$\pm 20$ mA
DC Output Current, per pin ( $I_{OUT}$ )	$\pm 25$ mA
DC $V_{CC}$ or GND Current, per pin ( $I_{CC}$ )	$\pm 50$ mA
Storage Temperature Range ( $T_{STG}$ )	-65°C to +150°C
Power Dissipation ( $P_D$ )	
(Note 3)	600 mW
S.O. Package only	500 mW
Lead Temperature ( $T_L$ )	
(Soldering 10 seconds)	260°C

## Operating Conditions

	Min	Max	Units
Supply Voltage ( $V_{CC}$ )	2	6	V
DC Input or Output Voltage ( $V_{IN}, V_{OUT}$ )	0	$V_{CC}$	V
Operating Temp. Range ( $T_A$ )			
MM74HC	-40	+85	°C
MM54HC	-55	+125	°C
Input Rise or Fall Times ( $t_r, t_f$ )			
$V_{CC} = 2.0V$		1000	ns
$V_{CC} = 4.5V$		500	ns
$V_{CC} = 6.0V$		400	ns

## DC Electrical Characteristics (Note 4)

Symbol	Parameter	Conditions	$V_{CC}$	$T_A = 25^\circ C$			Units	
				74HC $T_A = -40^\circ C$ to $+85^\circ C$		54HC $T_A = -55^\circ C$ to $+125^\circ C$		
				Typ	Guaranteed Limits			
$V_{IH}$	Minimum High Level Input Voltage		2.0V		1.5	1.5	V	
			4.5V		3.15	3.15	V	
			6.0V		4.2	4.2	V	
$V_{IL}$	Maximum Low Level Input Voltage**		2.0V		0.5	0.5	V	
			4.5V		1.35	1.35	V	
			6.0V		1.8	1.8	V	
$V_{OL}$	Maximum Low Level Output Voltage	$V_{IN} = V_{IH}$ $ I_{OUT}  \leq 20 \mu A$ $R_L = \infty$	2.0V	0	0.1	0.1	V	
			4.5V	0	0.1	0.1	V	
			6.0V	0	0.1	0.1	V	
		$V_{IN} = V_{IH}$ $ I_{OUT}  \leq 4.0$ mA $ I_{OUT}  \leq 5.2$ mA	4.5V	0.2	0.26	0.33	0.4	V
			6.0V	0.2	0.26	0.33	0.4	V
$I_{LKG}$	Maximum High Level Output Leakage Current	$V_{IN} = V_{IH}$ or $V_{IL}$ $V_{OUT} = V_{CC}$	6.0V		0.5	5	10	$\mu A$
$I_{IN}$	Maximum Input Current	$V_{IN} = V_{CC}$ or GND	6.0V		$\pm 0.1$	$\pm 1.0$	$\pm 1.0$	$\mu A$
$I_{CC}$	Maximum Quiescent Supply Current	$V_{IN} = V_{CC}$ or GND $I_{OUT} = 0 \mu A$	6.0V		2.0	20	40	$\mu A$

**Note 1:** Absolute Maximum Ratings are those values beyond which damage to the device may occur.

**Note 2:** Unless otherwise specified all voltages are referenced to ground.

**Note 3:** Power Dissipation temperature derating — plastic "N" package: -12 mW/°C from 65°C to 85°C; ceramic "J" package: -12 mW/°C from 100°C to 125°C.

**Note 4:** For a power supply of 5V  $\pm 10\%$  the worst case output voltages ( $V_{OH}$  and  $V_{OL}$ ) occur for HC at 4.5V. Thus the 4.5V values should be used when designing with this supply. Worst case  $V_{IH}$  and  $V_{IL}$  occur at  $V_{CC} = 5.5V$  and 4.5V respectively. (The  $V_{IH}$  value at 5.5V is 3.85V.) The worst case leakage current ( $I_{IN}$ ,  $I_{CC}$ , and  $I_{OZ}$ ) occur for CMOS at the higher voltage and so the 6.0V values should be used.

\*\* $V_{IL}$  limits are currently tested at 20% of  $V_{CC}$ . The above  $V_{IL}$  specification (30% of  $V_{CC}$ ) will be implemented no later than Q1, CY'89.

**AC Electrical Characteristics**  $V_{CC} = 5V$ ,  $T_A = 25^\circ C$ ,  $C_L = 15\text{ pF}$ ,  $t_r = t_f = 6\text{ ns}$

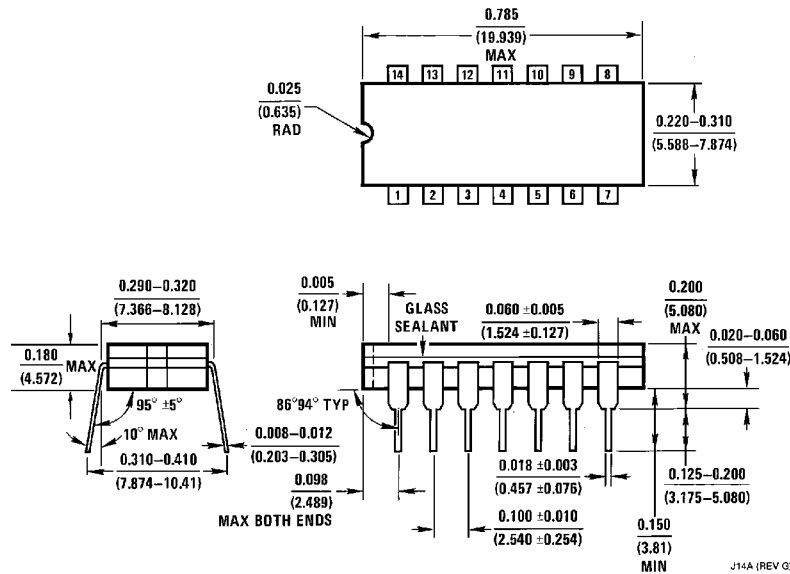
Symbol	Parameter	Conditions	Typ	Guaranteed Limit	Units
$t_{PZL}$ , $t_{PLZ}$	Maximum Propagation Delay	$R_L = 1\text{ k}\Omega$	8		ns

**AC Electrical Characteristics**  $V_{CC} = 2.0V\text{ to }6.0V$ ,  $C_L = 50\text{ pF}$ ,  $t_r = t_f = 6\text{ ns}$  unless otherwise specified

Symbol	Parameter	Conditions	$V_{CC}$	$T_A = 25^\circ C$		74HC	54HC	Units
				Typ	Guaranteed Limits		$T_A = -40^\circ C\text{ to }+85^\circ C$	
$t_{PZL}$	Maximum Propagation Delay	$R_L = 1\text{ k}\Omega$	2.0V	30	75	95	110	ns
			4.5V	8	15	19	22	ns
			6.0V	7	13	16	19	ns
$t_{PLZ}$	Maximum Propagation Delay	$R_L = 1\text{ k}\Omega$	2.0V	30	90	115	135	ns
			4.5V	13	18	23	27	ns
			6.0V	12	15	20	23	ns
$t_{THL}$	Maximum Output Fall Time		2.0V	30	75	95	110	ns
			4.5V	8	15	19	22	ns
			6.0V	7	13	16	19	ns
$C_{PD}$	Power Dissipation Capacitance (Note 5)	(per gate)		8				pF
$C_{IN}$	Maximum Input Capacitance			5	10	10	10	pF

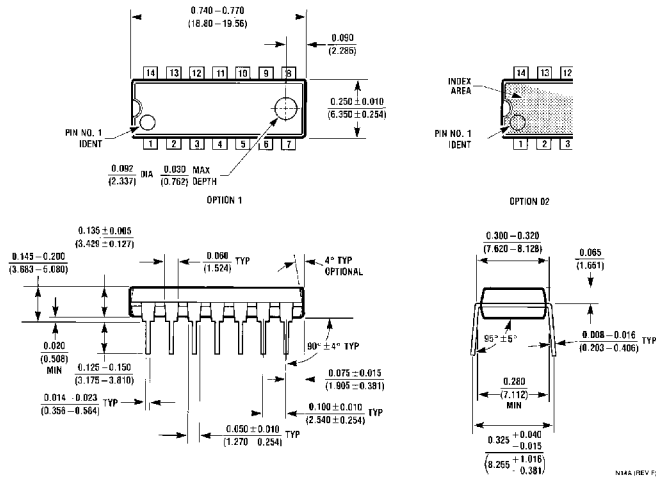
**Note 5:**  $C_{PD}$  determines the no load dynamic power consumption,  $P_D = C_{PD} V_{CC}^2 f + I_{CC} V_{CC}$ , and the no load dynamic current consumption,  $I_S = C_{PD} V_{CC} f + I_{CC}$ . The power dissipated by  $R_L$  is not included.

**Physical Dimensions** inches (millimeters)



Order Number MM54HC05J or MM74HC05J  
NS Package Number J14A

**Physical Dimensions** inches (millimeters) (Continued)



**Order Number MM74HC05N  
NS Package Number N14A**

**LIFE SUPPORT POLICY**

NATIONAL'S PRODUCTS ARE NOT AUTHORIZED FOR USE AS CRITICAL COMPONENTS IN LIFE SUPPORT DEVICES OR SYSTEMS WITHOUT THE EXPRESS WRITTEN APPROVAL OF THE PRESIDENT OF NATIONAL SEMICONDUCTOR CORPORATION. As used herein:

1. Life support devices or systems are devices or systems which, (a) are intended for surgical implant into the body, or (b) support or sustain life, and whose failure to perform, when properly used in accordance with instructions for use provided in the labeling, can be reasonably expected to result in a significant injury to the user.
2. A critical component is any component of a life support device or system whose failure to perform can be reasonably expected to cause the failure of the life support device or system, or to affect its safety or effectiveness.



**National Semiconductor Corporation**  
1111 West Bardin Road  
Arlington, TX 76017  
Tel: 1(800) 272-9959  
Fax: 1(800) 737-7018

**National Semiconductor Europe**  
Fax: (+49) 0-180-530 85 86  
Email: onjwge@tevm2.nsc.com  
Deutsch Tel: (+49) 0-180-530 85 85  
English Tel: (+49) 0-180-532 78 32  
Français Tel: (+49) 0-180-532 93 58  
Italiano Tel: (+49) 0-180-534 16 80

**National Semiconductor Hong Kong Ltd.**  
13th Floor, Straight Block,  
Ocean Centre, 5 Canton Rd.  
Tsimshatsui, Kowloon  
Hong Kong  
Tel: (852) 2737-1600  
Fax: (852) 2736-9960

**National Semiconductor Japan Ltd.**  
Tel: 81-043-299-2309  
Fax: 81-043-299-2408

National does not assume any responsibility for use of any circuitry described, no circuit patent licenses are implied and National reserves the right at any time without notice to change said circuitry and specifications.