

## DS14C89A Quad CMOS Receiver

 Check for Samples: [DS14C89A](#)

### FEATURES

- Meets EIA/TIA-232-E and CCITT V.28 Standards
- Failsafe - Output High for Open Input
- LOW Power Consumption
- On Chip Noise Filter
- Available in SOIC Package

### DESCRIPTION

The DS14C89A, pin-for-pin compatible to the DS1489A/MC1489A, is a quad receiver designed to interface data terminal equipment (DTE) with data circuit-terminating equipment (DCE). These devices translate levels conforming to EIA-232E and CCITT V.28 standards to TTL/CMOS logic levels.

The device is fabricated in low threshold CMOS metal gate technology. The device provides very low power consumption compared to their bipolar equivalents: 900  $\mu$ A (DS14C89A) versus 26 mA (DS1489A).

The DS14C89A provides on chip noise filtering which eliminates the need for external response control filter capacitors. When replacing the DS1489A with the DS14C89A, the response control filter pins can be tied high, low, or not connected.

### Connection Diagram

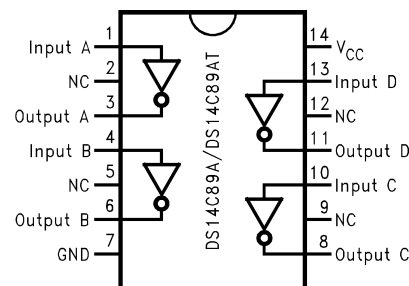


Figure 1. See Package Number D, NFF0014A



Please be aware that an important notice concerning availability, standard warranty, and use in critical applications of Texas Instruments semiconductor products and disclaimers thereto appears at the end of this data sheet.

All trademarks are the property of their respective owners.



These devices have limited built-in ESD protection. The leads should be shorted together or the device placed in conductive foam during storage or handling to prevent electrostatic damage to the MOS gates.

### Absolute Maximum Ratings<sup>(1)(2)</sup>

$V_{CC}$		+6V
Input Voltage		-30V to +30V
Receiver Output Voltage		( $V_{CC}$ ) +0.3V to GND-0.3V
Junction Temperature		+150°C
Continuous Power Dissipation @ +25°C <sup>(3)</sup>	NFF0014A Package	1513 mW
	D Package	1063 mW
Lead Temp.	(Soldering 4 seconds)	+260°C
Storage Temp. Range		-65°C to +150°C
ESD Rating $\geq$ 1.8 kV, Typically $\geq$ 2 kV (HMB, 1.5 k $\Omega$ , 100 pF)		

- (1) [Absolute Maximum Ratings](#) are those values beyond which the safety of the device cannot be ensured. They are not meant to imply that the devices should be operated at these limits. The tables of [AC Electrical Characteristics](#) specify conditions for device operation.
- (2) If Military/Aerospace specified devices are required, please contact the Texas Instruments Sales Office/ Distributors for availability and specifications.
- (3) Derate NFF0014A Package 12.1 mW/°C, and D Package 8.5 mW/°C above +25°C.

### Recommended Operating Conditions

		Min	Max	Units
$V_{CC}$ (GND = 0V)		+4.5	+5.5	V
Operating Free Air Temp. ( $T_A$ )	DS14C89A	0	+75	°C

## Electrical Characteristics

Over recommended operating conditions, unless otherwise specified

Symbol	Parameter	Conditions	Min	Typ	Max	Units	
$V_{TH}$	Input High Threshold		1.3		2.7	V	
$V_{TL}$	Input Low Threshold		0.5		1.9	V	
$V_{HY}$	Typical Input Hysteresis			1.0		V	
$I_{IN}$	Input Current	$V_{IN} = +25V$	$V_{CC} = +4.5V$ to $+5.5V$	3.6		8.3	mA
		$V_{IN} = -25V$		-3.6		-8.3	mA
		$V_{IN} = +3V$		0.43		1.0	mA
		$V_{IN} = -3V$		-0.43		-1.0	mA
		$V_{IN} = +15V$	$V_{CC} = 0V$ (Power-Off) <sup>(1)</sup>	2.14		5.0	mA
		$V_{IN} = -15V$		-2.14		-5.0	mA
		$V_{IN} = +3V$		0.43		1.0	mA
		$V_{IN} = -3V$		-0.43		-1.0	mA
$V_{OH}$	Output High Voltage	$V_{IN} = V_{TL}$ (min)	$I_{OUT} = -3.2$ mA	2.8	4.0		V
			$I_{OUT} = -20\mu A$	3.5	4.7		V
$V_{OL}$	Output Low Voltage	$V_{IN} = V_{TH}$ (max) $I_{OUT} = +3.2$ mA		0.15	0.4	V	
$I_{CC}$	Supply Current	No Load, $V_{IN} = 2.7V$ or $0.5V$		0.5	900	$\mu A$	

(1) Under the power-off supply conditions it is assumed that the power supply potential drops to zero (0V) and is replaced by a low impedance or short circuit to ground.

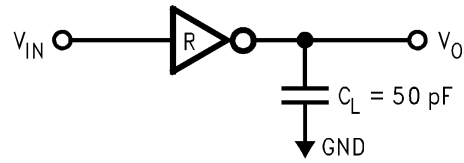
## AC Electrical Characteristics<sup>(1)</sup>

Over recommended operating conditions, unless otherwise specified,  $C_I = 50$  pF

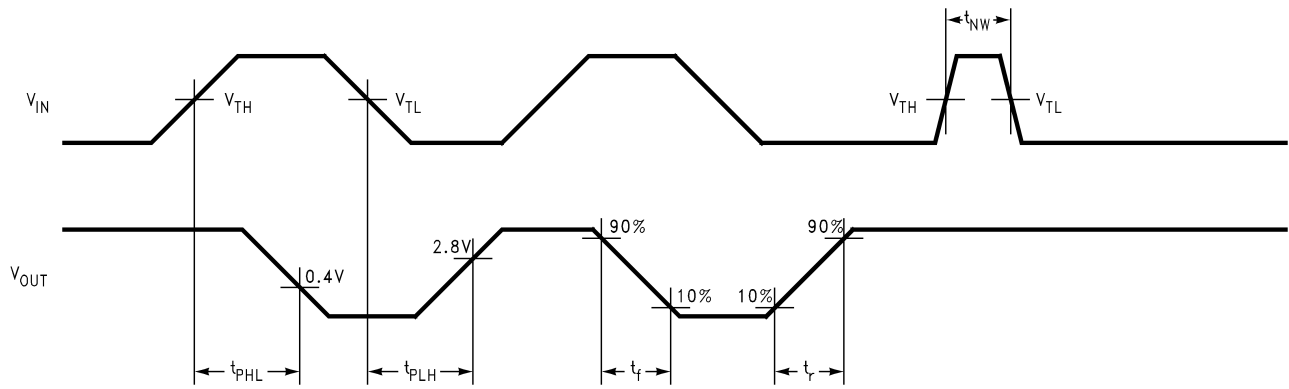
Symbol	Parameter	Conditions	Min	Typ	Max	Units
$t_{PLH}$	Propagation Delay Low to High	Input Pulse Width $\geq 10$ $\mu s$		3.5	6.5	$\mu s$
$t_{PHL}$	Propagation Delay High to Low	Input Pulse Width $\geq 10$ $\mu s$		3.2	6.5	$\mu s$
$t_{SK}$	Typical Propagation Delay Skew			400		ns
$t_r$	Output Rise Time			40	300	ns
$t_f$	Output Fall Time			40	300	ns
$t_{nw}$	Pulse Width assumed to be Noise				1.0	$\mu s$

(1) AC input waveforms for test purposes:  $t_r = t_f = 200$  ns,  $V_{IH} = +3V$ ,  $V_L = -3V$ ,  $f = 20$  KHz.

**Parameter Measurement Information**



**Figure 2. Receiver Load Circuit**



**Figure 3. Receiver Switching Waveform<sup>(2)</sup>**

(2) AC input waveforms for test purposes:  $t_r = t_f = 200$  ns,  $V_{IH} = +3V$ ,  $V_L = -3V$ ,  $f = 20$  KHz.

TYPICAL APPLICATION INFORMATION

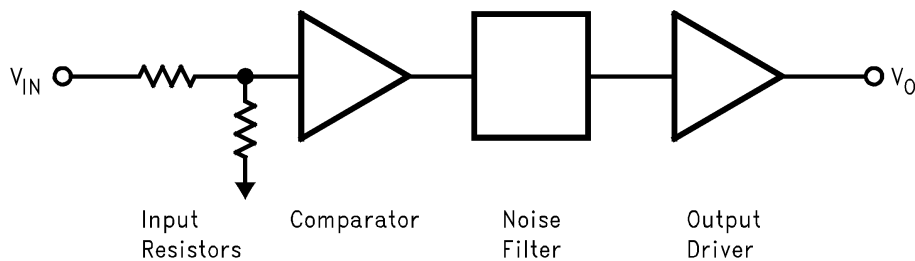


Figure 4. Receiver Block Diagram

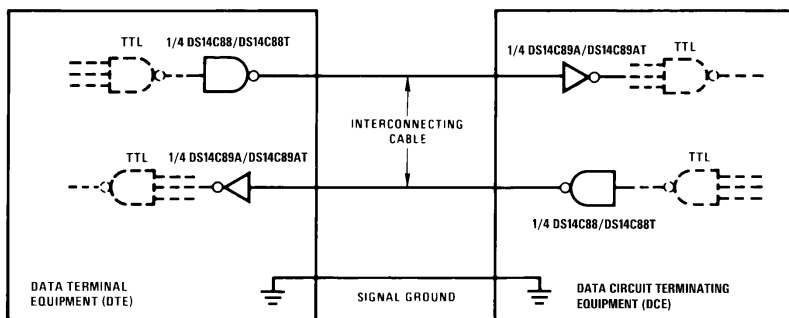


Figure 5. EIA-232D Data Transmission

### REVISION HISTORY

Changes from Revision B (April 2013) to Revision C	Page
• Changed layout of National Data Sheet to TI format .....	<a href="#">5</a>

**PACKAGING INFORMATION**

Orderable Device	Status (1)	Package Type	Package Drawing	Pins	Package Qty	Eco Plan (2)	Lead finish/ Ball material (6)	MSL Peak Temp (3)	Op Temp (°C)	Device Marking (4/5)	Samples
DS14C89AMX/NOPB	ACTIVE	SOIC	D	14	2500	RoHS & Green	SN	Level-1-260C-UNLIM		DS14C89AM	Samples

(1) The marketing status values are defined as follows:

**ACTIVE:** Product device recommended for new designs.

**LIFEBUY:** TI has announced that the device will be discontinued, and a lifetime-buy period is in effect.

**NRND:** Not recommended for new designs. Device is in production to support existing customers, but TI does not recommend using this part in a new design.

**PREVIEW:** Device has been announced but is not in production. Samples may or may not be available.

**OBSELETE:** TI has discontinued the production of the device.

(2) **RoHS:** TI defines "RoHS" to mean semiconductor products that are compliant with the current EU RoHS requirements for all 10 RoHS substances, including the requirement that RoHS substance do not exceed 0.1% by weight in homogeneous materials. Where designed to be soldered at high temperatures, "RoHS" products are suitable for use in specified lead-free processes. TI may reference these types of products as "Pb-Free".

**RoHS Exempt:** TI defines "RoHS Exempt" to mean products that contain lead but are compliant with EU RoHS pursuant to a specific EU RoHS exemption.

**Green:** TI defines "Green" to mean the content of Chlorine (Cl) and Bromine (Br) based flame retardants meet JS709B low halogen requirements of <=1000ppm threshold. Antimony trioxide based flame retardants must also meet the <=1000ppm threshold requirement.

(3) MSL, Peak Temp. - The Moisture Sensitivity Level rating according to the JEDEC industry standard classifications, and peak solder temperature.

(4) There may be additional marking, which relates to the logo, the lot trace code information, or the environmental category on the device.

(5) Multiple Device Markings will be inside parentheses. Only one Device Marking contained in parentheses and separated by a "~" will appear on a device. If a line is indented then it is a continuation of the previous line and the two combined represent the entire Device Marking for that device.

(6) Lead finish/Ball material - Orderable Devices may have multiple material finish options. Finish options are separated by a vertical ruled line. Lead finish/Ball material values may wrap to two lines if the finish value exceeds the maximum column width.

**Important Information and Disclaimer:**The information provided on this page represents TI's knowledge and belief as of the date that it is provided. TI bases its knowledge and belief on information provided by third parties, and makes no representation or warranty as to the accuracy of such information. Efforts are underway to better integrate information from third parties. TI has taken and continues to take reasonable steps to provide representative and accurate information but may not have conducted destructive testing or chemical analysis on incoming materials and chemicals. TI and TI suppliers consider certain information to be proprietary, and thus CAS numbers and other limited information may not be available for release.

In no event shall TI's liability arising out of such information exceed the total purchase price of the TI part(s) at issue in this document sold by TI to Customer on an annual basis.

**TAPE AND REEL INFORMATION**

**QUADRANT ASSIGNMENTS FOR PIN 1 ORIENTATION IN TAPE**


\*All dimensions are nominal

Device	Package Type	Package Drawing	Pins	SPQ	Reel Diameter (mm)	Reel Width W1 (mm)	A0 (mm)	B0 (mm)	K0 (mm)	P1 (mm)	W (mm)	Pin1 Quadrant
DS14C89AMX/NOPB	SOIC	D	14	2500	330.0	16.4	6.5	9.35	2.3	8.0	16.0	Q1



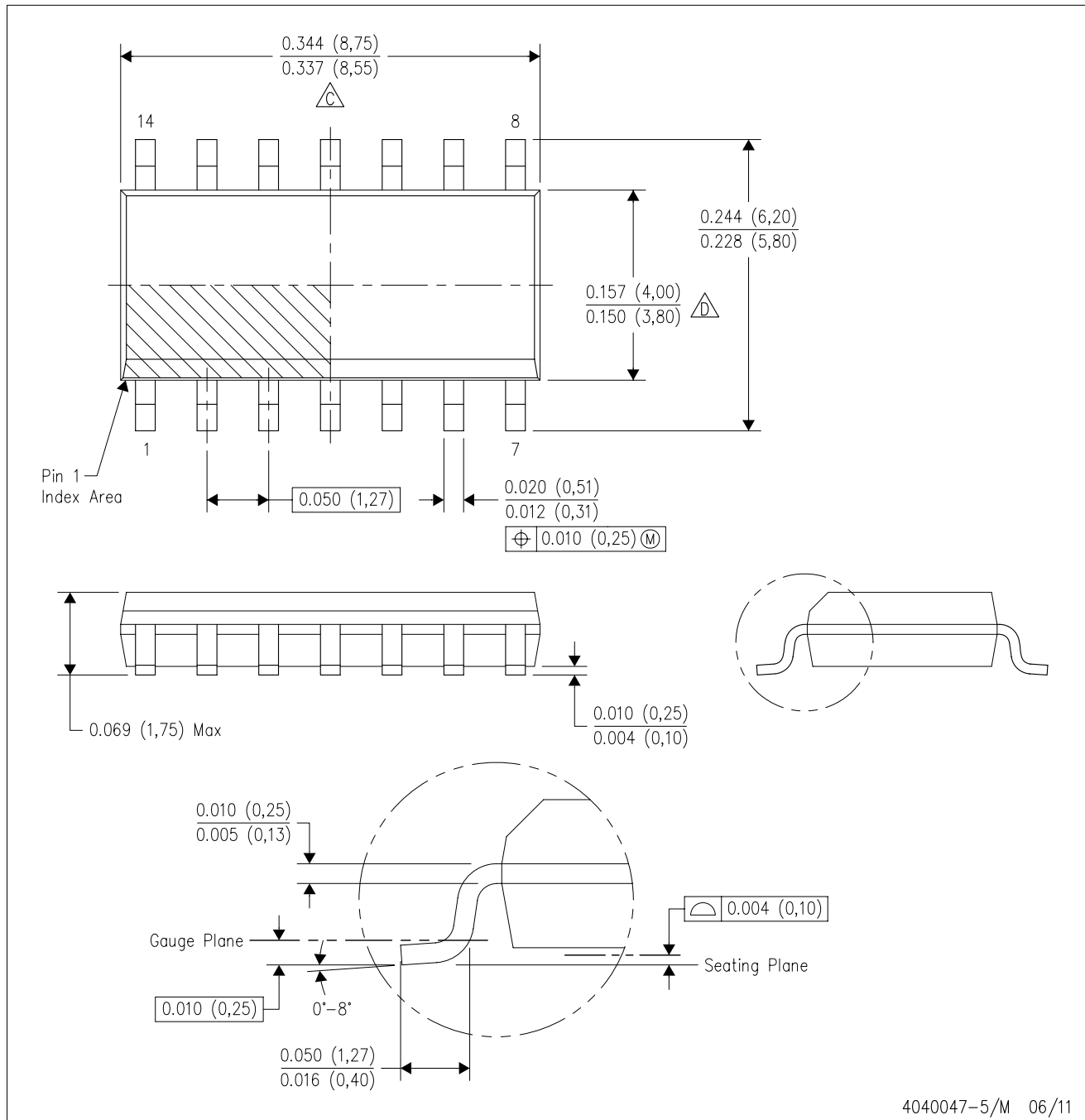
**TAPE AND REEL BOX DIMENSIONS**


\*All dimensions are nominal

Device	Package Type	Package Drawing	Pins	SPQ	Length (mm)	Width (mm)	Height (mm)
DS14C89AMX/NOPB	SOIC	D	14	2500	367.0	367.0	35.0

D (R-PDSO-G14)

PLASTIC SMALL OUTLINE



- NOTES:
- A. All linear dimensions are in inches (millimeters).
  - B. This drawing is subject to change without notice.
  -  Body length does not include mold flash, protrusions, or gate burrs. Mold flash, protrusions, or gate burrs shall not exceed 0.006 (0,15) each side.
  -  Body width does not include interlead flash. Interlead flash shall not exceed 0.017 (0,43) each side.
  - E. Reference JEDEC MS-012 variation AB.

D (R-PDSO-G14)

PLASTIC SMALL OUTLINE



- NOTES:
- All linear dimensions are in millimeters.
  - This drawing is subject to change without notice.
  - Publication IPC-7351 is recommended for alternate designs.
  - Laser cutting apertures with trapezoidal walls and also rounding corners will offer better paste release. Customers should contact their board assembly site for stencil design recommendations. Refer to IPC-7525 for other stencil recommendations.
  - Customers should contact their board fabrication site for solder mask tolerances between and around signal pads.

## IMPORTANT NOTICE AND DISCLAIMER

TI PROVIDES TECHNICAL AND RELIABILITY DATA (INCLUDING DATA SHEETS), DESIGN RESOURCES (INCLUDING REFERENCE DESIGNS), APPLICATION OR OTHER DESIGN ADVICE, WEB TOOLS, SAFETY INFORMATION, AND OTHER RESOURCES "AS IS" AND WITH ALL FAULTS, AND DISCLAIMS ALL WARRANTIES, EXPRESS AND IMPLIED, INCLUDING WITHOUT LIMITATION ANY IMPLIED WARRANTIES OF MERCHANTABILITY, FITNESS FOR A PARTICULAR PURPOSE OR NON-INFRINGEMENT OF THIRD PARTY INTELLECTUAL PROPERTY RIGHTS.

These resources are intended for skilled developers designing with TI products. You are solely responsible for (1) selecting the appropriate TI products for your application, (2) designing, validating and testing your application, and (3) ensuring your application meets applicable standards, and any other safety, security, regulatory or other requirements.

These resources are subject to change without notice. TI grants you permission to use these resources only for development of an application that uses the TI products described in the resource. Other reproduction and display of these resources is prohibited. No license is granted to any other TI intellectual property right or to any third party intellectual property right. TI disclaims responsibility for, and you will fully indemnify TI and its representatives against, any claims, damages, costs, losses, and liabilities arising out of your use of these resources.

TI's products are provided subject to [TI's Terms of Sale](#) or other applicable terms available either on [ti.com](https://www.ti.com) or provided in conjunction with such TI products. TI's provision of these resources does not expand or otherwise alter TI's applicable warranties or warranty disclaimers for TI products.

TI objects to and rejects any additional or different terms you may have proposed.

Mailing Address: Texas Instruments, Post Office Box 655303, Dallas, Texas 75265  
Copyright © 2023, Texas Instruments Incorporated