

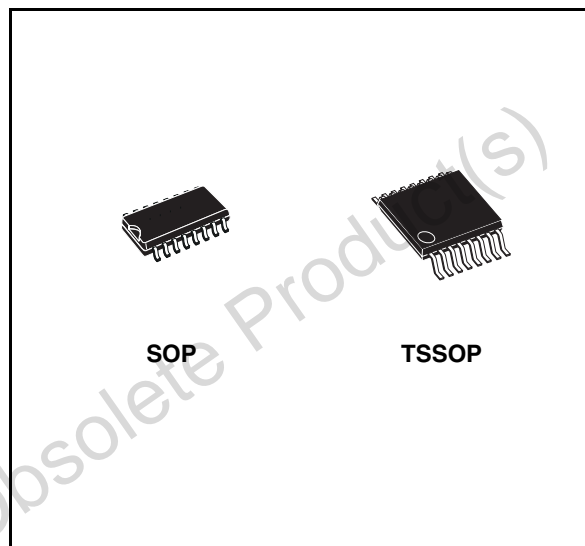
## High speed differential line receivers

### Features

- Meets or exceeds the requirements of ansi TIA/EIA-644 standard
- Operates with a single 3.3 V supply
- Designed for signaling rate up to 400 Mbps
- Differential input thresholds  $\pm 100$  mV max
- Typical propagation delay time of 2.5 ns
- Power dissipation 60 mW typical per receiver at 200 MHz
- Low voltage TTL (LVTTTL) logic output levels
- Pin compatible with the AM26LS32, SN65LVD32
- Open circuit fail safe
- ESD protection:
  - 7 kV receiver pins
  - 3 kV all pins vs gnd

### Description

The STLVDS32 is a differential line receiver that implements the electrical characteristics of low voltage differential signaling (LVDS). This signaling technique lowers the output voltage levels of 5 V differential standard levels (such as TIA/EIA-422B) to reduce the power, increase the switching speeds and allow operations with a 3.3 V supply rail. This differential receiver provides a valid logical output state with a 3.3 V supply rail. It also provides a valid logical output state with a  $\pm 100$  mV differential input voltage within the input common mode voltage range. The



input common mode voltage allows 1 V of ground potential difference between two LVDS nodes.

The intended application of this device and signalling technique is both point-to-point and multidrop data transmission over controlled impedance media approximately 100  $\Omega$ . The transmission media may be printed circuit board traces, backplanes or cables. The ultimate rate and distance of data transfer depend upon the attenuation characteristics of the media and noise coupling to the environment.

The STLVDS32 version is characterized for operation from  $-55^{\circ}\text{C}$  to  $125^{\circ}\text{C}$ .

**Table 1. Device summary**

Order code	Temperature range	Package	Packaging
STLVDS32BDR	$-55$ to $125^{\circ}\text{C}$	SO16 (Tape & reel)	2500 parts per reel
STLVDS32BTR	$-55$ to $125^{\circ}\text{C}$	TSSOP16 (Tape & reel)	2500 parts per reel

---

## Contents

1	Pin configuration .....	3
2	Maximum ratings .....	5
3	Electrical characteristics .....	6
4	Typical characteristics .....	8
5	Typical performance characteristics .....	10
6	Package mechanical data .....	11
7	Revision history .....	16

# 1 Pin configuration

Figure 1. Pin connections and functional diagram

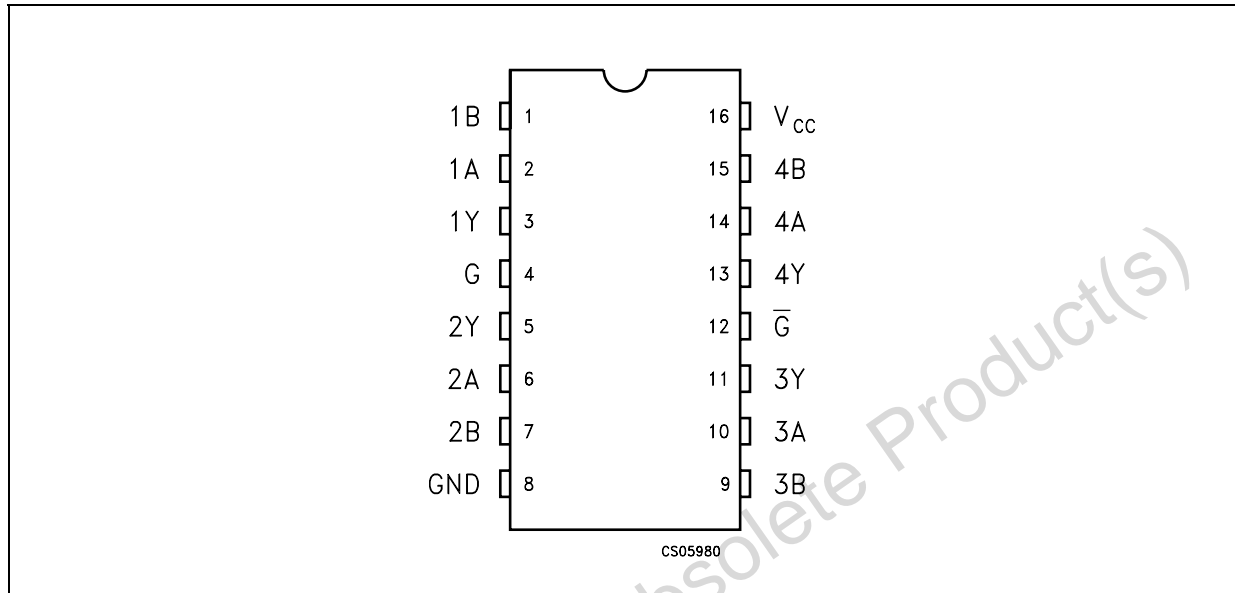


Table 2. Pin description

Pin n°	Symbol	Name and function
2, 6, 10, 14	1A to 4A	Receiver inputs
1, 7, 9, 15	1B to 4B	Negated receiver inputs
3, 5, 11, 13	1Y to 4Y	Receiver outputs
4	G	Enable
12	G	Enable
8	GND	Ground
16	V <sub>CC</sub>	Supply voltage

Figure 2. Logic diagram and logic symbol

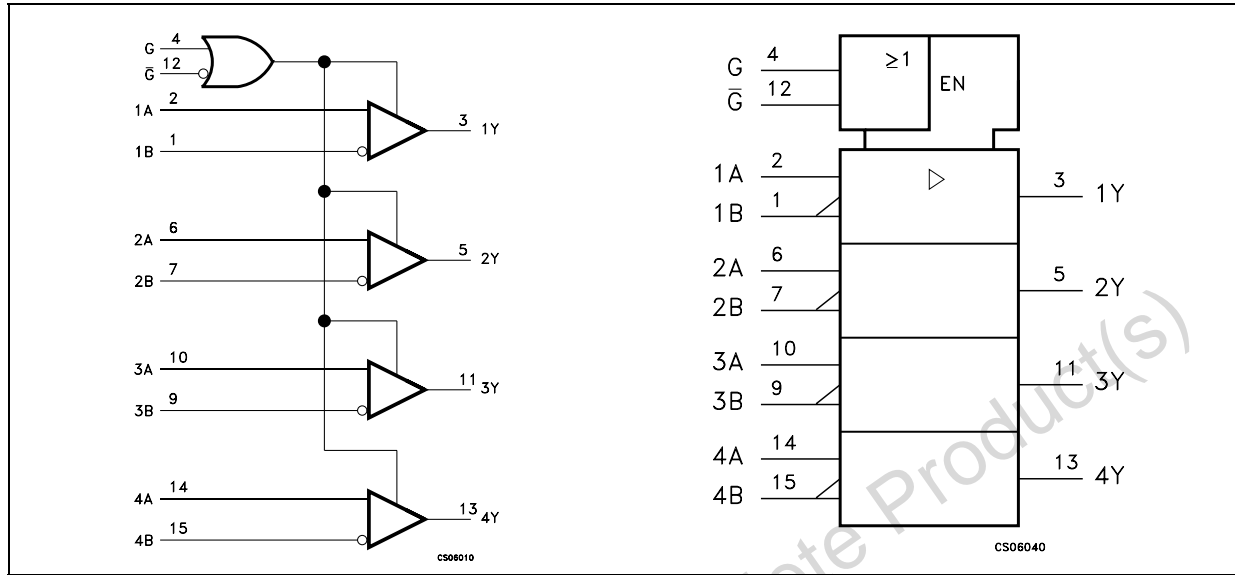


Table 3. Truth table

Differential inputs A, B	Enables		Outputs Y
	G	$\bar{G}$	
$V_{ID} \geq 100\text{mV}$	H	X	H
	X	L	H
$-100\text{mV} < V_{ID} < 100\text{mV}$	H	X	?
	X	L	?
$V_{ID} \leq -100\text{mV}$	H	X	L
	X	L	L
X	L	H	Z
OPEN	H	X	H
	X	L	H

L=Low level, H=High Level, X=Don't care, Z= High Impedance

## 2 Maximum ratings

**Table 4. Absolute maximum ratings**

Symbol	Parameter		Value	Unit
$V_{CC}$	Supply voltage <sup>(1)</sup>		-0.5 to 4.6	V
$V_I$	Input voltage		-0.5 to ( $V_{CC} + 0.5$ )	V
$V_I$	Input voltage (A or B inputs)		-0.5 to 4.6	V
ESD	Human body model	Pins receivers	7	kV
		All pins vs gnd	3	
$T_{stg}$	Storage temperature range		-65 to +150	°C

1. All voltages except differential I/O bus voltage, are with respect to the network ground terminal.

*Note: Absolute Maximum Ratings are those values beyond which damage to the device may occur. Functional operation under these condition is not implied.*

**Table 5. Recommended operating conditions**

Symbol	Parameter	Min.	Typ.	Max.	Unit
$V_{CC}$	Supply voltage	3.0	3.3	3.6	V
$V_{IH}$	HIGH level input voltage (ENABLE)	2.0			V
$V_{IL}$	LOW level input voltage (ENABLE)			0.8	V
$ V_{ID} $	Magnitude of differential input voltage	0.1		0.6	V
$V_{IC}$	Common mode input voltage	0.5 $ V_{ID} $		2.4-0.5 $ V_{ID} $	V
				$V_{CC} - 0.8$	
$T_A$	Operating temperature range	-40		85	°C

### 3 Electrical characteristics

**Table 6. Electrical characteristics**

(Over recommended operating conditions unless otherwise noted. All typical values are at  $T_A = 25^\circ\text{C}$ , and  $V_{CC} = 3.3\text{ V}$ ).

Symbol	Parameter	Test conditions	Min.	Typ.	Max.	Unit
$V_{ITH+}$	Positive going differential input voltage threshold				100	mV
$V_{ITH-}$	Negative going differential input voltage threshold		-100			mV
$V_{OH}$	High level output voltage	$I_{OH} = -8\text{ mA}$	2.4			V
		$I_{OH} = -4\text{ mA}$	2.8			
$V_{OL}$	Low level output voltage	$I_{OH} = 8\text{ mA}$			0.4	V
$I_{CC}$	Supply current	Enabled, No Load		10	18	mA
		Disabled		0.25	0.5	mA
$I_I$	Input current (A or B inputs)	$V_I = 0\text{ V}$	-2	-10	-20	$\mu\text{A}$
		$V_I = 2.4\text{ V}$	-1.2	-3		
$I_{I(OFF)}$	Power off input current (A or B inputs)	$V_{CC} = 0, V_I = 3.6\text{ V}$		10	20	$\mu\text{A}$
$I_{CS}$	Cold spare leakage current	$V_I = 3.6\text{ V}, V_{DD} = 0\text{ V}$			$\pm 20$	$\mu\text{A}$
$I_{IH}$	High level input current (EN, G, $\bar{G}$ or inputs)	$V_{IH} = 2\text{ V}$			10	$\mu\text{A}$
$I_{IL}$	Low level input current (EN, G, $\bar{G}$ or inputs)	$V_{IL} = 0.8\text{ V}$			10	$\mu\text{A}$
$I_{OZ}$	High impedance output current	$V_O = 0\text{ or }V_{CC}$			$\pm 10$	$\mu\text{A}$

**Table 7. Switching characteristics**

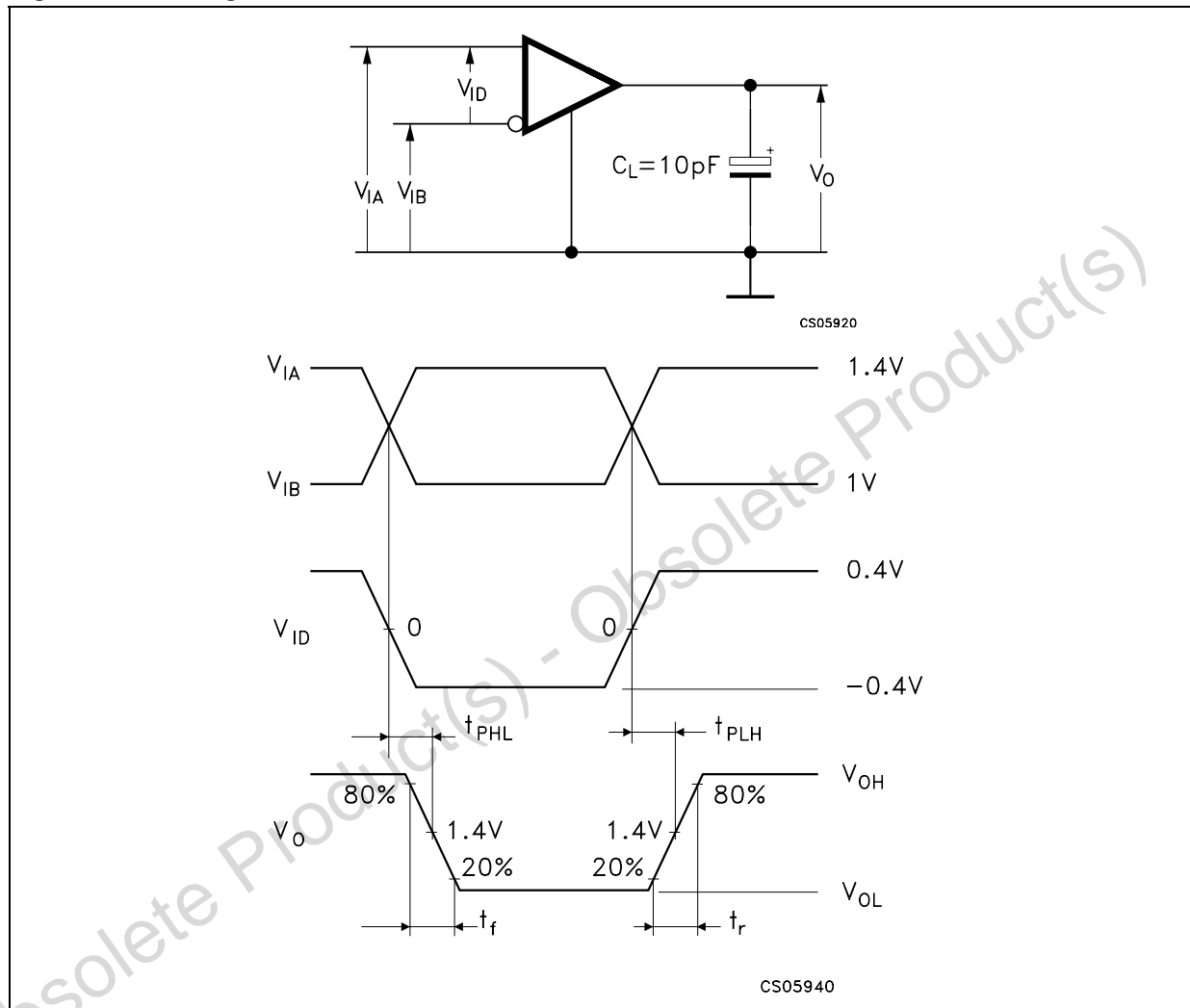
(Over recommended operating conditions unless otherwise noted. All typical values are at  $T_A = 25^\circ\text{C}$ , and  $V_{CC} = 3.3\text{ V}$ ).

Symbol	Parameter	Test conditions	Min.	Typ.	Max.	Unit
$t_{PLH}$	Propagation delay time, low to high output	$C_L = 10\text{ pF}$ , <i>Figure 3.</i>	1.5	2.5	3.3	ns
$t_{PHL}$	Propagation delay time, high to low output		1.5	2.5	3.3	ns
$t_r$	Output signal rise time			0.4		ns
$t_f$	Output signal fall time			0.4		ns
$t_{sk(O)}$	Channel to channel output skew ( <i>Note: 1</i> )			0.1	0.3	ns
$t_{sk(P)}$	Pulse skew ( $ t_{PHL} - t_{PLH} $ ) ( <i>Note 2</i> )			0.2	0.4	ns
$t_{sk(PP)}$	Part to part skew ( <i>Note 3</i> )				1	ns
$t_{PZH}$	Propagation delay time, high impedance to high level output	<i>Figure 4.</i>		3	12	ns
$t_{PZL}$	Propagation delay time, high impedance to low level output			5	12	ns
$t_{PHZ}$	Propagation delay time, high level to high impedance output			5	12	ns
$t_{PLZ}$	Propagation delay time, low level to high impedance output			5	12	ns

- Note:**
- $t_{sk(O)}$  is the maximum delay time difference between the propagation delay of one channel and that of the others on the same chip with any event on the inputs.
  - $t_{sk(P)}$  is the magnitude difference in differential propagation delay time between the positive going edge and the negative going edge of the same channel.
  - $t_{sk(PP)}$  is the differential channel-to-channel skew of any event between devices. This specification applies to devices at the same  $V_{CC}$ , and within  $5^\circ\text{C}$  of each other within the operating temperature range

## 4 Typical characteristics

Figure 3. Timing test and waveforms

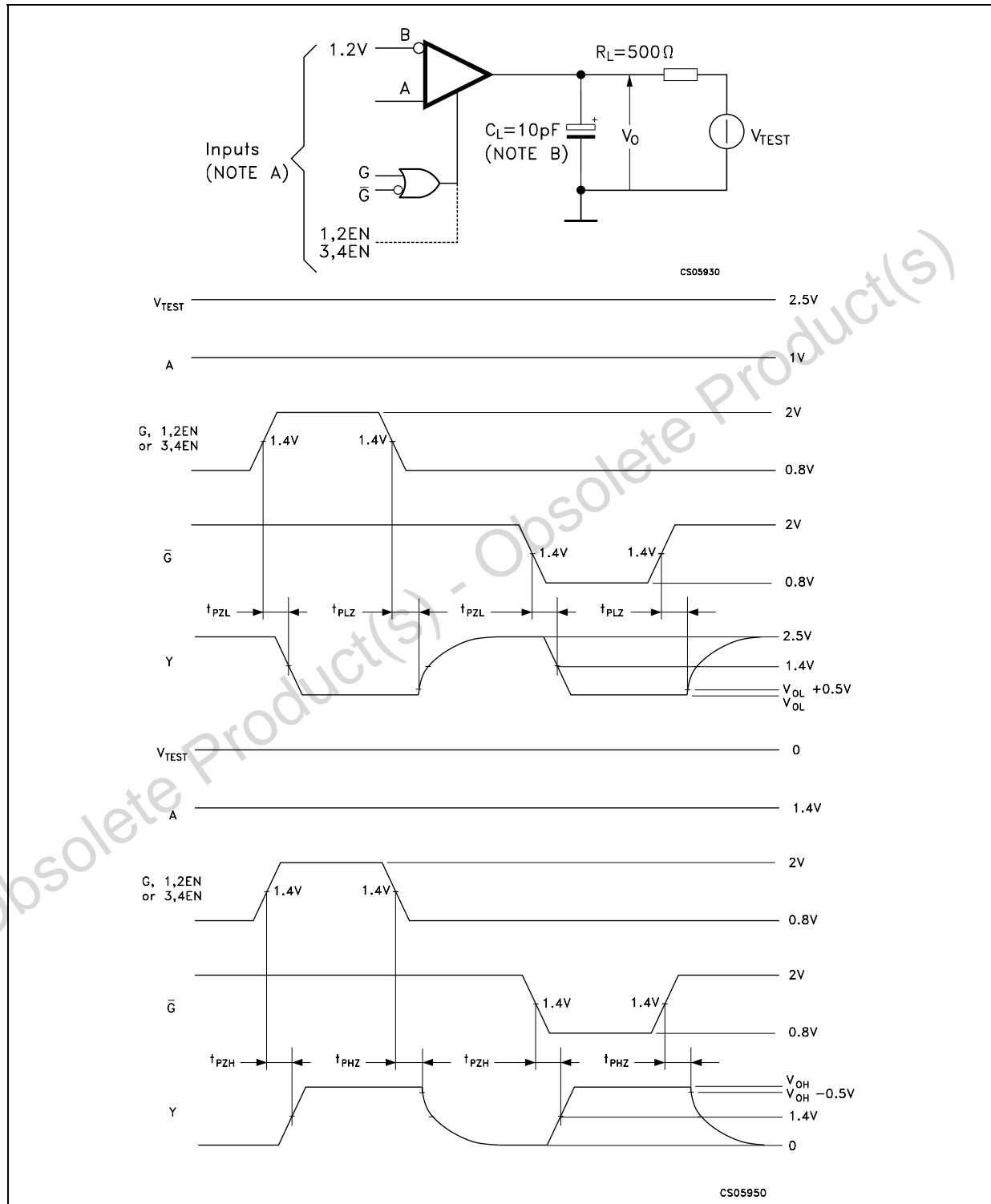


Note: A: All input pulse are supplied by a generator having the following characteristics:  
 $t_r$  or  $t_f \leq 1$  ns, pulse repetition rate (PRR) = 50 Mpps, pulse width =  $10 \pm 0.2$  ns.

Note: B:  $C_L$  includes instrumentation and fixture capacitance within 6 mm of the D.U.T.



Figure 4. Enable and disable time test circuit and waveform



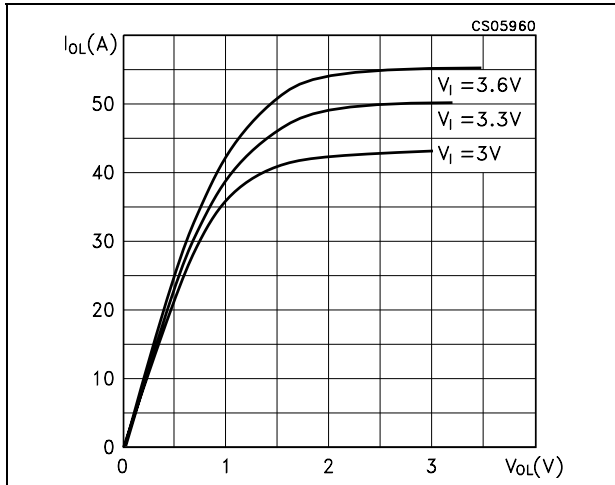
Note: A: All input pulse are supplied by a generator having the following characteristics:  $t_r$  or  $t_f \leq 1\text{ ns}$ , pulse repetition rate (PRR) = 50 Mpps, pulse width =  $10 \pm 0.2\text{ ns}$ .

Note: B:  $C_L$  includes instrumentation and fixture capacitance within 6 mm of the D.U.T.

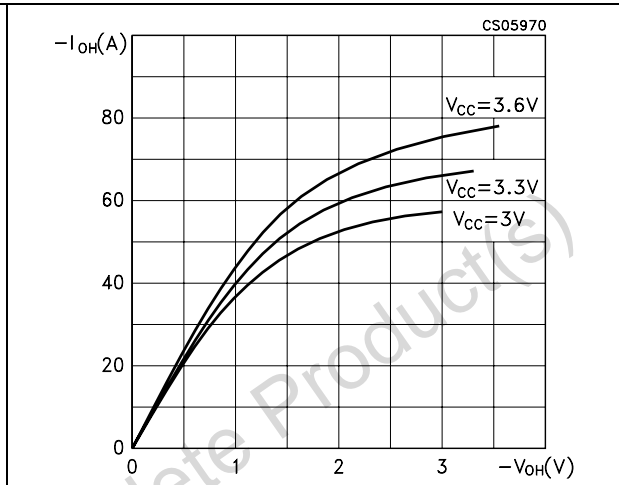
# 5 Typical performance characteristics

(Unless otherwise specified  $T_J = 25^\circ\text{C}$ )

**Figure 5. Output current vs output voltage**



**Figure 6. Output current vs output voltage**



Obsolete Product(s) - Obsolete Product(s)

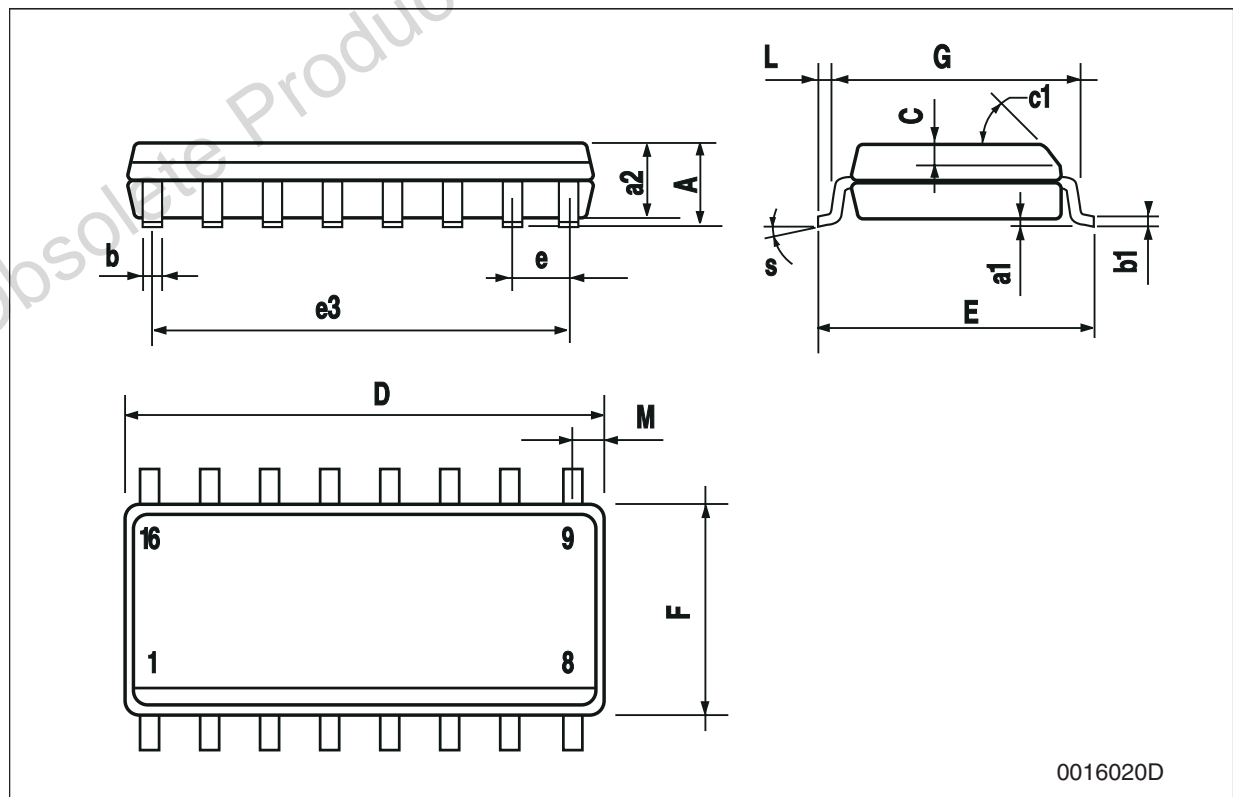
## 6 Package mechanical data

In order to meet environmental requirements, ST offers these devices in ECOPACK® packages. These packages have a Lead-free second level interconnect. The category of second Level Interconnect is marked on the package and on the inner box label, in compliance with JEDEC Standard JESD97. The maximum ratings related to soldering conditions are also marked on the inner box label. ECOPACK is an ST trademark. ECOPACK specifications are available at: [www.st.com](http://www.st.com).

Obsolete Product(s) - Obsolete Product(s)

**SO-16 mechanical data**

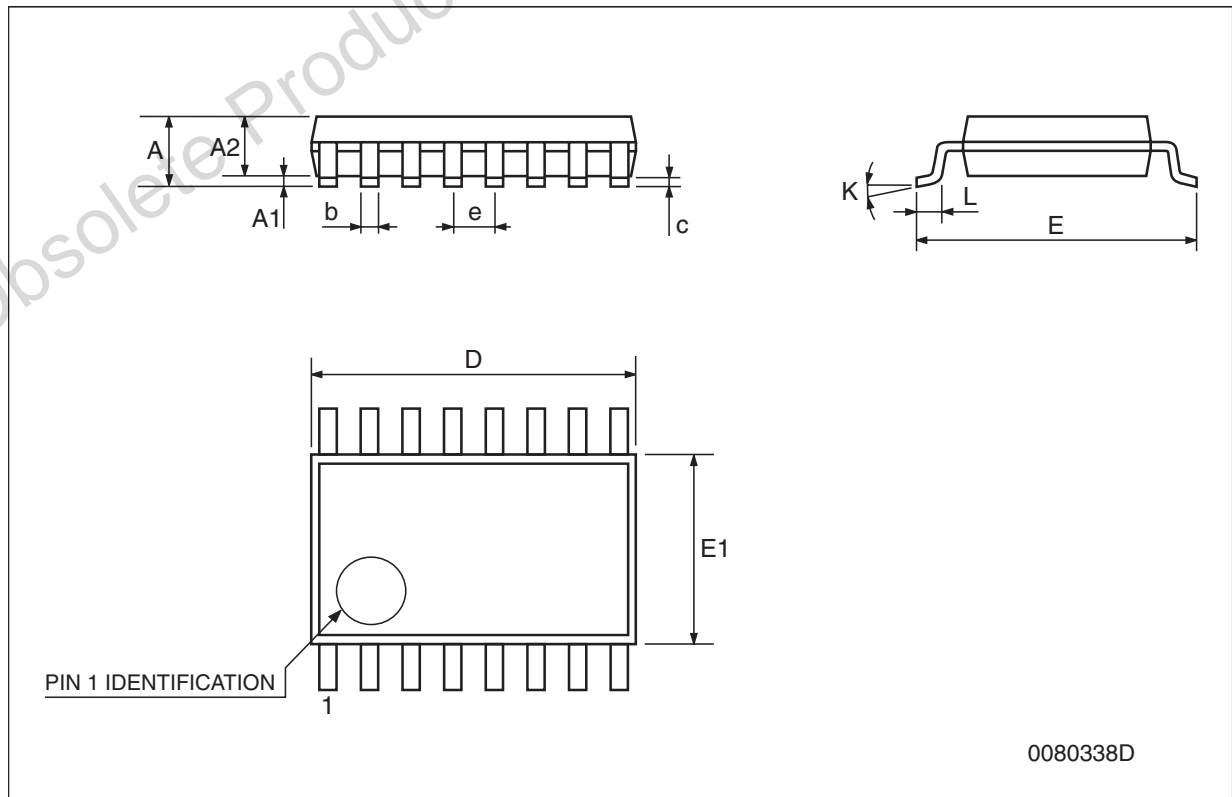
Dim.	mm.			inch.		
	Min.	Typ.	Max.	Min.	Typ.	Max.
A			1.75			0.068
a1	0.1		0.25	0.004		0.010
a2			1.64			0.063
b	0.35		0.46	0.013		0.018
b1	0.19		0.25	0.007		0.010
C		0.5			0.019	
c1	45° (typ.)					
D	9.8		10	0.385		0.393
E	5.8		6.2	0.228		0.244
e		1.27			0.050	
e3		8.89			0.350	
F	3.8		4.0	0.149		0.157
G	4.6		5.3	0.181		0.208
L	0.5		1.27	0.019		0.050
M			0.62			0.024
S	8° (max.)					



0016020D

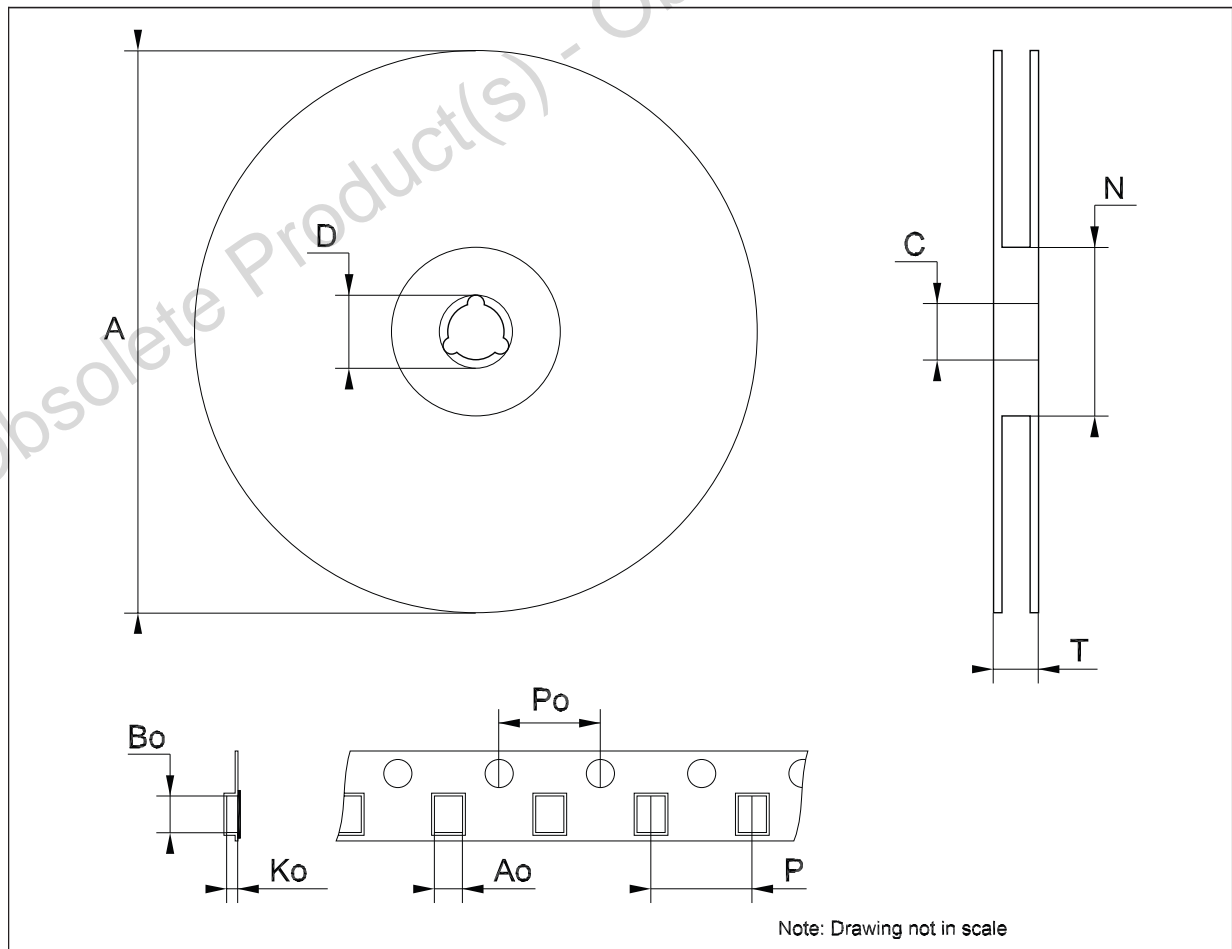
**TSSOP16 mechanical data**

Dim.	mm.			inch.		
	Min.	Typ.	Max.	Min.	Typ.	Max.
A			1.2			0.047
A1	0.05		0.15	0.002	0.004	0.006
A2	0.8	1	1.05	0.031	0.039	0.041
b	0.19		0.30	0.007		0.012
c	0.09		0.20	0.004		0.0079
D	4.9	5	5.1	0.193	0.197	0.201
E	6.2	6.4	6.6	0.244	0.252	0.260
E1	4.3	4.4	4.48	0.169	0.173	0.176
e		0.65 BSC			0.0256 BSC	
K	0°		8°	0°		8°
L	0.45	0.60	0.75	0.018	0.024	0.030



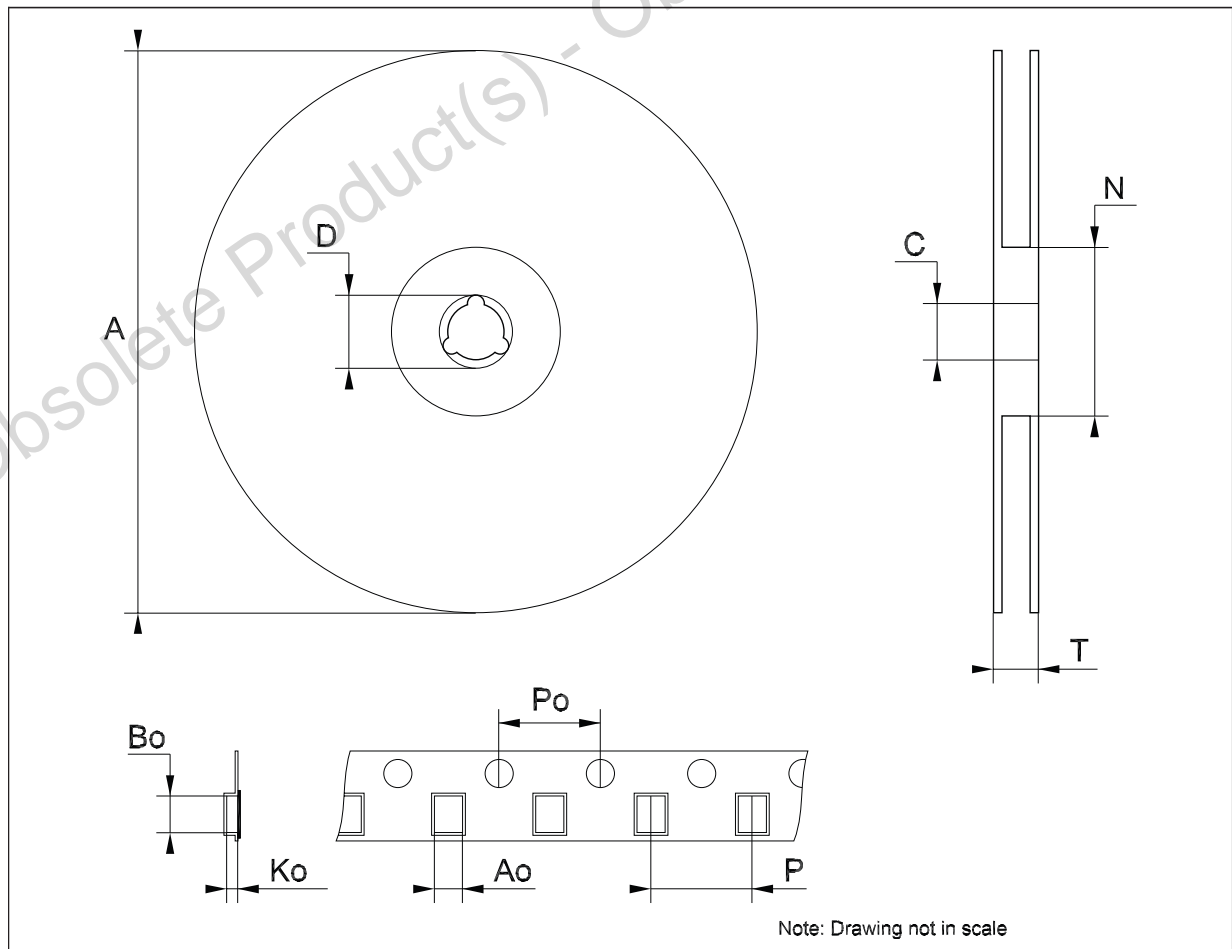
**Tape & reel SO-16 mechanical data**

Dim.	mm.			inch.		
	Min.	Typ.	Max.	Min.	Typ.	Max.
A			330			12.992
C	12.8		13.2	0.504		0.519
D	20.2			0.795		
N	60			2.362		
T			22.4			0.882
Ao	6.45		6.65	0.254		0.262
Bo	10.3		10.5	0.406		0.414
Ko	2.1		2.3	0.082		0.090
Po	3.9		4.1	0.153		0.161
P	7.9		8.1	0.311		0.319



**Tape & reel TSSOP16 mechanical data**

Dim.	mm.			inch.		
	Min.	Typ.	Max.	Min.	Typ.	Max.
A			330			12.992
C	12.8		13.2	0.504		0.519
D	20.2			0.795		
N	60			2.362		
T			22.4			0.882
Ao	6.7		6.9	0.264		0.272
Bo	5.3		5.5	0.209		0.217
Ko	1.6		1.8	0.063		0.071
Po	3.9		4.1	0.153		0.161
P	7.9		8.1	0.311		0.319



## 7 Revision history

**Table 8. Revision history**

Date	Revision	Changes
07-Jul-2004	9	$t_r$ and $t_f$ description changed in table 6 - pag 7.
05-Dec-2005	10	Temperature Range has been changed in cover page, add $I_{CS}$ on table 5.
28-Mar-2006	11	Order code updated and new template.
20-Mar-2007	12	Title in cover page updated.
28-Aug-2007	13	Added <a href="#">Table 1</a> . in cover page.



**Please Read Carefully:**

Information in this document is provided solely in connection with ST products. STMicroelectronics NV and its subsidiaries ("ST") reserve the right to make changes, corrections, modifications or improvements, to this document, and the products and services described herein at any time, without notice.

All ST products are sold pursuant to ST's terms and conditions of sale.

Purchasers are solely responsible for the choice, selection and use of the ST products and services described herein, and ST assumes no liability whatsoever relating to the choice, selection or use of the ST products and services described herein.

No license, express or implied, by estoppel or otherwise, to any intellectual property rights is granted under this document. If any part of this document refers to any third party products or services it shall not be deemed a license grant by ST for the use of such third party products or services, or any intellectual property contained therein or considered as a warranty covering the use in any manner whatsoever of such third party products or services or any intellectual property contained therein.

**UNLESS OTHERWISE SET FORTH IN ST'S TERMS AND CONDITIONS OF SALE ST DISCLAIMS ANY EXPRESS OR IMPLIED WARRANTY WITH RESPECT TO THE USE AND/OR SALE OF ST PRODUCTS INCLUDING WITHOUT LIMITATION IMPLIED WARRANTIES OF MERCHANTABILITY, FITNESS FOR A PARTICULAR PURPOSE (AND THEIR EQUIVALENTS UNDER THE LAWS OF ANY JURISDICTION), OR INFRINGEMENT OF ANY PATENT, COPYRIGHT OR OTHER INTELLECTUAL PROPERTY RIGHT.**

**UNLESS EXPRESSLY APPROVED IN WRITING BY AN AUTHORIZED ST REPRESENTATIVE, ST PRODUCTS ARE NOT RECOMMENDED, AUTHORIZED OR WARRANTED FOR USE IN MILITARY, AIR CRAFT, SPACE, LIFE SAVING, OR LIFE SUSTAINING APPLICATIONS, NOR IN PRODUCTS OR SYSTEMS WHERE FAILURE OR MALFUNCTION MAY RESULT IN PERSONAL INJURY, DEATH, OR SEVERE PROPERTY OR ENVIRONMENTAL DAMAGE. ST PRODUCTS WHICH ARE NOT SPECIFIED AS "AUTOMOTIVE GRADE" MAY ONLY BE USED IN AUTOMOTIVE APPLICATIONS AT USER'S OWN RISK.**

Resale of ST products with provisions different from the statements and/or technical features set forth in this document shall immediately void any warranty granted by ST for the ST product or service described herein and shall not create or extend in any manner whatsoever, any liability of ST.

ST and the ST logo are trademarks or registered trademarks of ST in various countries.

Information in this document supersedes and replaces all information previously supplied.

The ST logo is a registered trademark of STMicroelectronics. All other names are the property of their respective owners.

© 2007 STMicroelectronics - All rights reserved

STMicroelectronics group of companies

Australia - Belgium - Brazil - Canada - China - Czech Republic - Finland - France - Germany - Hong Kong - India - Israel - Italy - Japan - Malaysia - Malta - Morocco - Singapore - Spain - Sweden - Switzerland - United Kingdom - United States of America

[www.st.com](http://www.st.com)