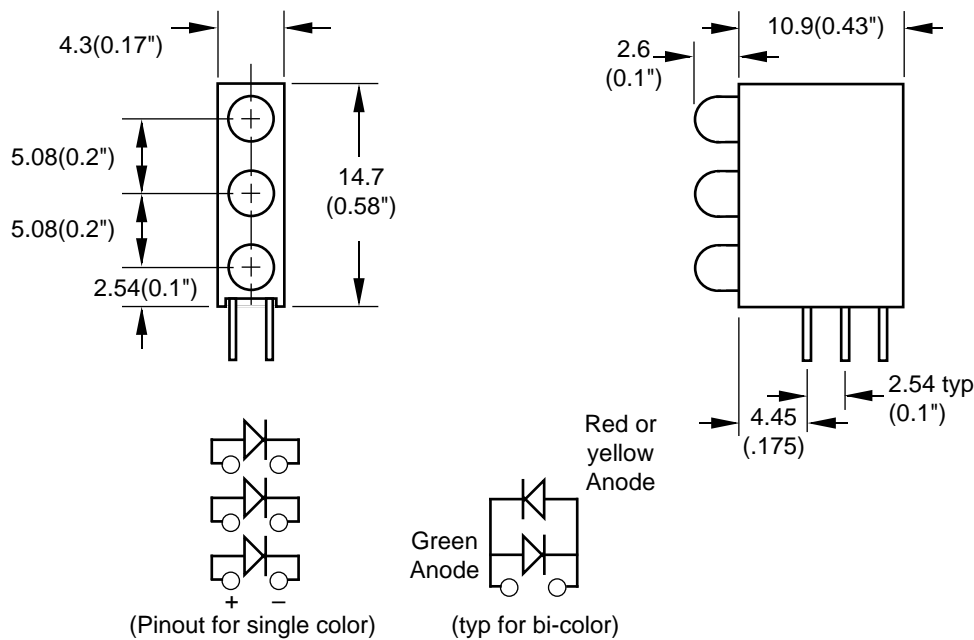


T-1, (3-mm) Round, Tri-level PCB Mount LED Indicator, J183B Series



The J183B is a right-angle view assembly of 3 T-1 LEDs arranged in a column. This indicator array is designed to be a more compact replacement part for similar units on the market and can be CMOS driven to save components. Recommended pitch is 4.4 mm(0.173") when a large number of units are placed side-by-side. This series can also be supplied with pinout reversed from that shown by adding "-RL" to the order code of the part number.



RoHS Compliant
Aug 2004

Specify part desired as follows:

J183B/Order Code LED1 + Order Code LED 2 + Order Code LED 3

For example: "J183B/H+Y+G" designates red LED on top, yellow LED in the middle and green LED on the bottom.

"J183B/(H+Y+G)-RL" designates the same assembly with all leads reversed.

ORDER CODE AND INFORMATION (ALL RATINGS AT 25°C AMBIENT)

LED Lamp			Typical Characteristics				Recom. Op. If (mA)
Epoxy & Type	Color	Order Code	Peak λ (nm)	Vf (V) @If=20mA	Iv (mcd) @If=2 mA	$2\Theta_{1/2}$ (Deg)	
Tinted Diffused	Red	I	639	1.8	4.0	50	2 - 10
	Green	G	575	1.7	2.5	60	2 - 10
	Yellow	Y	591	1.85	4.0	45	2 - 10

* Specifications subject to change without notice. Dimensions are in mm±0.25 unless stated otherwise.