

## 16-Bit Registered Transceiver

### Features

- Low power, pin-compatible replacement for LCX and LPT families
- 5V tolerant inputs and outputs
- 24 mA balanced drive outputs
- Power-off disable outputs permits live insertion
- Edge-rate control circuitry for reduced noise
- FCT-C speed at 4.6 ns
- Latch-up performance exceeds JEDEC standard no. 17
- ESD > 2000V per MIL-STD-883D, Method 3015
- Typical output skew < 250 ps
- Industrial temperature range of  $-40^{\circ}\text{C}$  to  $+85^{\circ}\text{C}$
- TSSOP (19.6-mil pitch) or SSOP (25-mil pitch)
- Typical  $V_{OIP}$  (ground bounce) performance exceeds Mil Std 883D
- $V_{CC} = 2.7\text{V}$  to  $3.6\text{V}$

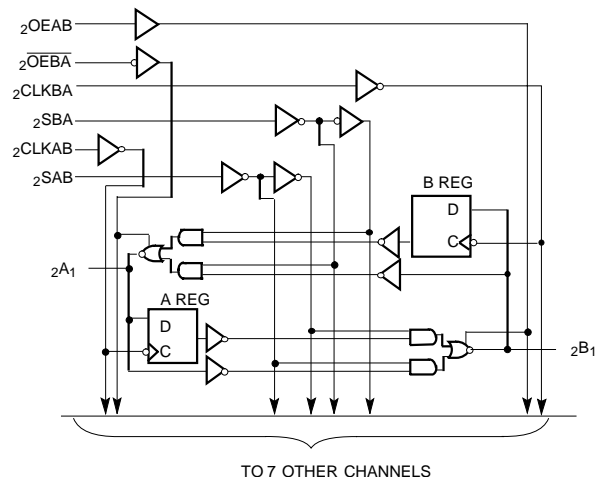
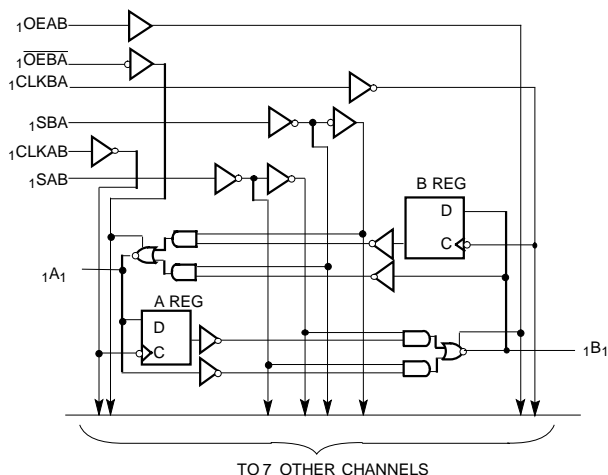
### Functional Description

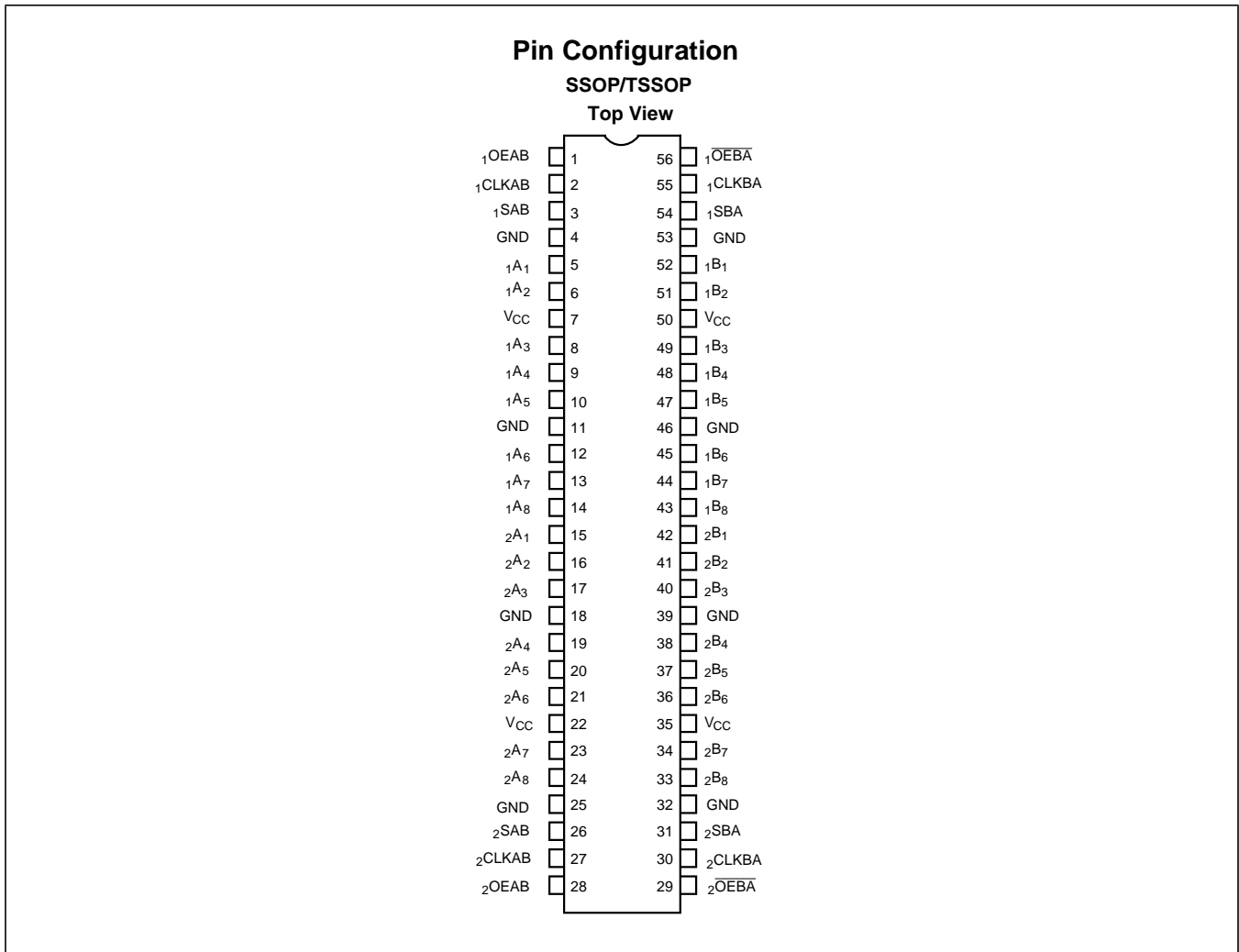
The CY74FCT163652 is a 16-bit, high-speed, low-power, registered transceiver that is organized as two independent 8-bit bus transceivers with three-state D-type registers and control circuitry arranged for multiplexed transmission of data directly from the input bus or from the internal storage registers. OEAB and OEBA control pins are provided to control the transceiver functions. SAB and SBA control pins are provided to select either real-time or stored data transfer.

Data on the A or B data bus, or both, can be stored in the internal D flip-flops by LOW-to-HIGH transitions at the appropriate clock pins (CLKAB or CLKBA), regardless of the select or enable control pins. When SAB and SBA are in the real-time transfer mode, it is also possible to store data without using the internal D-type flip-flops by simultaneously enabling OEAB and OEBA. In this configuration, each output reinforces its input. Thus, when all other data sources to the two sets of bus lines are at high impedance, each set of bus lines will remain at its last state.

The CY74FCT163652 has 24-mA balanced output drivers with current limiting resistors in the outputs. This reduces the need for external terminating resistors and provides for minimal undershoot and reduced ground bounce. The inputs and outputs were designed to be capable of being driven by 5.0V buses, allowing them to be used in mixed voltage systems as translators. The outputs are also designed with a power-off disable feature enabling them to be used in applications requiring live insertion.

### Logic Block Diagrams





**Pin Description**

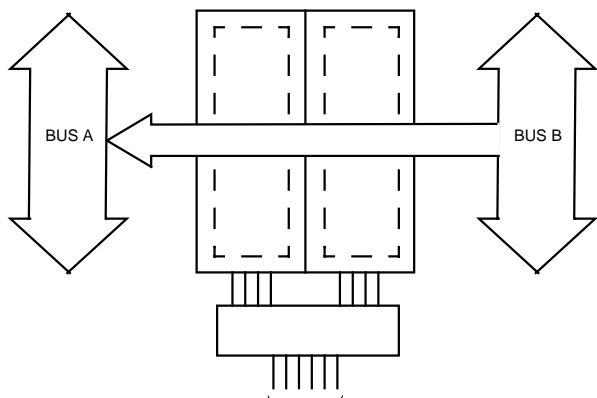
Name	Description
A	Data Register A Inputs, Data Register B Outputs
B	Data Register B Inputs, Data Register A Outputs
CLKAB, CLKBA	Clock Pulse Inputs
SAB, SBA	Output Data Source Select Inputs
OEAB, $\overline{OEBA}$	Output Enable Inputs

**Function Table<sup>[1]</sup>**

Inputs						Data I/O <sup>[2]</sup>		Operation or Function
OEAB	OEBA	CLKAB	CLKBA	SAB	SBA	A	B	
L L	H H	H or L ┐	H or L ┐	X X	X X	Input	Input	Isolation Store A and B Data
X H	H H	┐ ┐	H or L ┐	X X <sup>[3]</sup>	X X	Input Input	Unspecified <sup>[2]</sup> Output	Store A, Hold B Store A in Both Registers
L L	X L	H or L ┐	┐ ┐	X X	X X <sup>[3]</sup>	Unspecified <sup>[2]</sup>	Input Input	Hold A, Store B Store B in both Registers
L L	L L	X X	X H or L	X X	L H	Output	Input	Real Time B Data to A Bus Stored B Data to A Bus
H H	H H	X H or L	X X	L H	X X	Input	Output	Real Time A Data to B Bus Stored A Data to B Bus
H	L	H or L	H or L	H	H	Output	Output	Stored A Data to B Bus and Stored B Data to A Bus

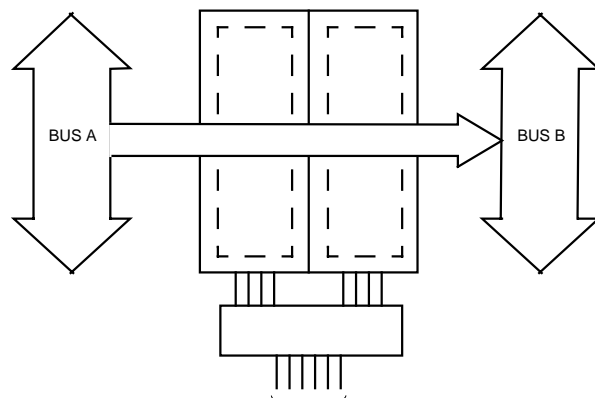
**Notes:**

1. H = HIGH Voltage Level, L = LOW Voltage Level, X = Don't Care, ┐ = LOW-to-HIGH Transition
2. The data output functions may be enabled or disabled by various signals at the OEAB or OEBA inputs. Data input functions are always enabled, i.e., data at the bus pins will be stored on every LOW-to-HIGH transition on the clock inputs.
3. Select control=L; clocks can occur simultaneously.  
Select control=H; clocks must be staggered to load both registers.



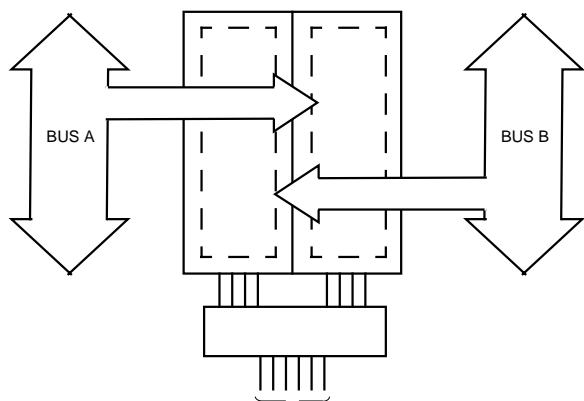
OEAB L    OEBA L    CLKAB X    CLKBA X    SAB X    SBA L

**Real-Time Transfer  
Bus B to Bus A**



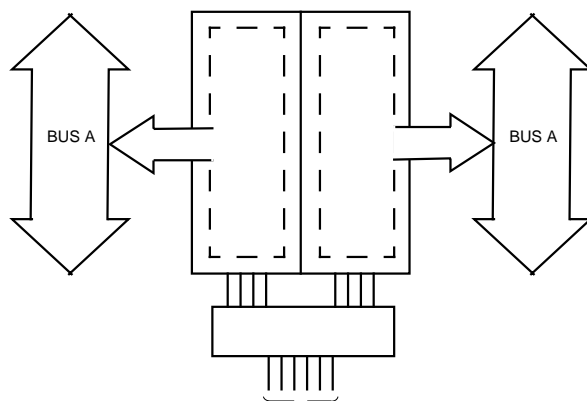
OEAB H    OEBA L    CLKAB X    CLKBA X    SAB L    SBA X

**Real-Time Transfer  
Bus A to Bus B**



OEAB X    OEBA H    CLKAB X    CLKBA X    SAB X    SBA X  
L    L    L    L    X    X  
L    H    X    X    X    X

**Storage from  
A and/or B**



OEAB H    OEBA L    CLKAB H or L    CLKBA H or L    SAB H    SBA H

**Transfer Stored Data  
to A and/or B**

**Maximum Ratings<sup>[4]</sup>**

(Above which the useful life may be impaired. For user guidelines, not tested.)

- Storage Temperature ..... -55°C to +125°C
- Ambient Temperature with Power Applied ..... -55°C to +125°C
- Supply Voltage Range ..... 0.5V to +4.6V
- DC Input Voltage ..... -0.5V to +7.0V
- DC Output Voltage ..... -0.5V to +7.0V

- DC Output Current (Maximum Sink Current/Pin) ..... -60 to +120 mA
- Power Dissipation ..... 1.0W
- Static Discharge Voltage..... >2001V (per MIL-STD-883, Method 3015)

**Operating Range**

Range	Ambient Temperature	V <sub>CC</sub>
Industrial	-40°C to +85°C	2.7V to 3.6V

**Note:**

4. Stresses greater than those listed under Maximum Ratings may cause permanent damage to the device. This is a stress rating only and functional operation of the device at these or any other conditions above those indicated in the operational sections of this specification is not implied. Exposure to absolute maximum rating conditions for extended periods may affect reliability.

**Electrical Characteristics** Over the Operating Range  $V_{CC}=2.7V$  to  $3.6V$ 

Parameter	Description	Test Condition	Min.	Typ. <sup>[5]</sup>	Max.	Unit
$V_{IH}$	Input HIGH Voltage	All Inputs	2.0		5.5	V
$V_{IL}$	Input LOW Voltage				0.8	V
$V_H$	Input Hysteresis <sup>[6]</sup>			100		mV
$V_{IK}$	Input Clamp Diode Voltage	$V_{CC}=\text{Min.}, I_{IN}=-18\text{ mA}$		-0.7	-1.2	V
$I_{IH}$	Input HIGH Current	$V_{CC}=\text{Max.}, V_I=5.5V$			$\pm 1$	$\mu\text{A}$
$I_{IL}$	Input LOW Current	$V_{CC}=\text{Max.}, V_I=\text{GND}$			$\pm 1$	$\mu\text{A}$
$I_{OZH}$	High Impedance Output Current (Three-State Output pins)	$V_{CC}=\text{Max.}, V_{OUT}=5.5V$			$\pm 1$	$\mu\text{A}$
$I_{OZL}$	High Impedance Output Current (Three-State Output pins)	$V_{CC}=\text{Max.}, V_{OUT}=\text{GND}$			$\pm 1$	$\mu\text{A}$
$I_{ODL}$	Output LOW Dynamic Current <sup>[7]</sup>	$V_{CC}=3.3V, V_{IN}=V_{IH}$ or $V_{IL}, V_{OUT}=1.5V$	45		180	mA
$I_{ODH}$	Output HIGH Dynamic Current <sup>[7]</sup>	$V_{CC}=3.3V, V_{IN}=V_{IH}$ or $V_{IL}, V_{OUT}=1.5V$	-45		-180	mA
$V_{OH}$	Output HIGH Voltage	$V_{CC}=\text{Min.}, I_{OH}=-0.1\text{ mA}$	$V_{CC}-0.2$			V
		$V_{CC}=3.0V, I_{OH}=-8\text{ mA}$	2.4 <sup>[8]</sup>	3.0		
		$V_{CC}=3.0V, I_{OH}=-24\text{ mA}$	2.0	3.0		
$V_{OL}$	Output LOW Voltage	$V_{CC}=\text{Min.}, I_{OL}=0.1\text{ mA}$			0.2	V
		$V_{CC}=\text{Min.}, I_{OL}=24\text{ mA}$		0.3	0.5	
$I_{OS}$	Short Circuit Current <sup>[7]</sup>	$V_{CC}=\text{Max.}, V_{OUT}=\text{GND}$	-60	-135	-240	mA
$I_{OFF}$	Power-Off Disable <sup>[7]</sup>	$V_{CC}=0V, V_{OUT}\leq 4.5V$			$\pm 100$	$\mu\text{A}$

**Capacitance<sup>[6]</sup>** ( $T_A = +25^\circ\text{C}, f = 1.0\text{ MHz}$ )

Parameter	Description	Test Conditions	Typ.	Max.	Unit
$C_{IN}$	Input Capacitance	$V_{IN} = 0V$	4.5	6.0	pF
$C_{OUT}$	Output Capacitance	$V_{OUT} = 0V$	5.5	8.0	pF

**Notes:**

- Typical values are at  $V_{CC}=3.3V, +25^\circ\text{C}$  ambient.
- This parameter is specified but not tested.
- Not more than one output should be shorted at a time. Duration of short should not exceed one second. The use of high-speed test apparatus and/or sample and hold techniques are preferable in order to minimize internal chip heating and more accurately reflect operational values. Otherwise prolonged shorting of a high output may raise the chip temperature well above normal and thereby cause invalid readings in other parametrics tests. In any sequence of parameter tests,  $I_{OS}$  tests should be performed last.
- $V_{OH}=V_{CC}-0.6V$  at rated current.

**Power Supply Characteristics**

Parameter	Description	Test Conditions		Typ. <sup>[5]</sup>	Max.	Unit
$I_{CC}$	Quiescent Power Supply Current	$V_{CC} = \text{Max.}$	$V_{IN} \leq 0.2V$ $V_{IN} \geq V_{CC} - 0.2V$	0.1	10	$\mu A$
$\Delta I_{CC}$	Quiescent Power Supply Current TTL Inputs HIGH	$V_{CC} = \text{Max.}$	$V_{IN} = V_{CC} - 0.6V$ <sup>[9]</sup>	2.0	30	$\mu A$
$I_{CCD}$	Dynamic Power Supply Current <sup>[10]</sup>	$V_{CC} = \text{Max.}$ , Outputs Open $OEAB = \overline{OEAB} = GND$ One Input Toggling 50% Duty Cycle	$V_{IN} = V_{CC}$ or $V_{IN} = GND$	50	75	$\mu A / \text{MHz}$
$I_C$	Total Power Supply Current <sup>[11]</sup>	$V_{CC} = \text{Max.}$ , Outputs Open $f_0 = 10 \text{ MHz (CLKBA)}$ 50% Duty Cycle $OEAB = \overline{OEBA} = GND$ One-Bit Toggling, $f_1 = 5 \text{ MHz}$ 50% Duty Cycle	$V_{IN} = V_{CC}$ or $V_{IN} = GND$	0.5	0.8	mA
			$V_{IN} = V_{CC} - 0.6V$ or $V_{IN} = GND$	0.5	0.8	mA
		$V_{CC} = \text{Max.}$ , Outputs Open $f_0 = 10 \text{ MHz (CLKBA)}$ 50% Duty Cycle $OEAB = \overline{OEBA} = GND$ Sixteen Bits Toggling $f_1 = 2.5 \text{ MHz, 50% Duty Cycle}$	$V_{IN} = V_{CC}$ or $V_{IN} = GND$	2.5	3.8 <sup>[12]</sup>	mA
			$V_{IN} = V_{CC} - 0.6V$ or $V_{IN} = GND$	2.6	4.1 <sup>[12]</sup>	mA

**Notes:**

9. Per TTL driven input; all other inputs at  $V_{CC}$  or GND.
10. This parameter is not directly testable, but is derived for use in Total Power Supply calculations.
11.  $I_C = I_{\text{QUIESCENT}} + I_{\text{INPUTS}} + I_{\text{DYNAMIC}}$   
 $I_C = I_{CC} + \Delta I_{CC} D_H N_T + I_{CCD} (f_0 N_C / 2 + f_1 N_1)$   
 $I_{CC}$  = Quiescent Current with CMOS input levels  
 $\Delta I_{CC}$  = Power Supply Current for a TTL HIGH input  
 $D_H$  = Duty Cycle for TTL inputs HIGH  
 $N_T$  = Number of TTL inputs at  $D_H$   
 $I_{CCD}$  = Dynamic Current caused by an input transition pair (HLH or LHL)  
 $f_0$  = Clock frequency for registered devices, otherwise zero  
 $N_C$  = Number of clock inputs changing at  $f_0$   
 $f_1$  = Input signal frequency  
 $N_1$  = Number of inputs changing at  $f_1$   
 All currents are in milliamps and all frequencies are in megahertz.
12. Values for these conditions are examples of the  $I_{CC}$  formula. These limits are specified but not tested.

**Switching Characteristics** Over the Operating Range  $V_{CC} = 3.0V$  to  $3.6V$ <sup>[13,14]</sup>

Parameter	Description	CY74FCT163652A		CY74FCT163652C		Unit	Fig. No. <sup>[15]</sup>
		Min.	Max.	Min.	Max.		
t <sub>PLH</sub> t <sub>PHL</sub>	Propagation Delay Bus to Bus	1.5	6.3	1.5	5.4	ns	1, 3
t <sub>PZH</sub> t <sub>PHL</sub>	Output Enable Time OEAB or $\overline{OEBA}$ to Bus	1.5	9.8	1.5	7.8	ns	1, 7, 8
t <sub>PHZ</sub> t <sub>PLZ</sub>	Output Disable Time OEAB or $\overline{OEBA}$ to Bus	1.5	6.3	1.5	6.3	ns	1, 7, 8
t <sub>PLH</sub> t <sub>PHL</sub>	Propagation Delay Clock to Bus	1.5	6.3	1.5	5.7	ns	1, 5
t <sub>PLH</sub> t <sub>PHL</sub>	Propagation Delay SBA or SAB to Bus	1.5	7.7	1.5	6.2	ns	1, 5
t <sub>SU</sub>	Set-Up time HIGH or LOW Bus to Clock	2.0	—	2.0	—	ns	4
t <sub>H</sub>	Hold Time HIGH or LOW Bus to Clock	1.5	—	1.5	—	ns	4
t <sub>W</sub>	Clock Pulse Width HIGH or LOW	5.0	—	5.0	—	ns	5
t <sub>SK(O)</sub>	Output Skew <sup>[16]</sup>	—	0.5	—	0.5	ns	

**Ordering Information CY74FCT163652**

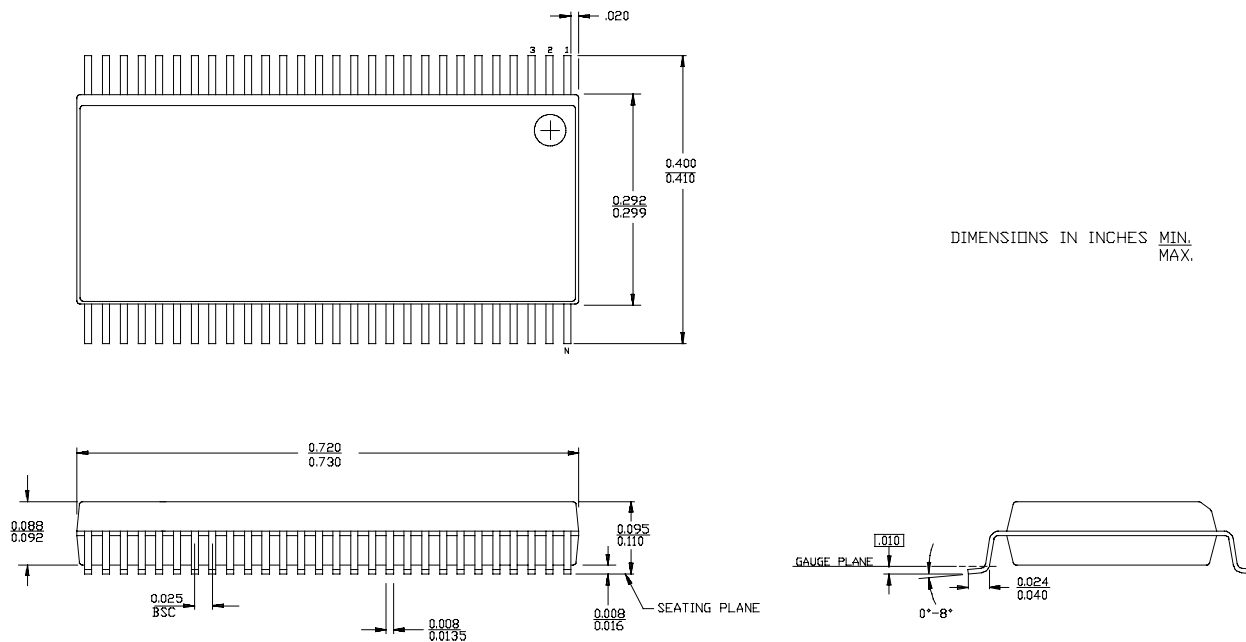
Speed (ns)	Ordering Code	Package Name	Package Type	Operating Range
5.4	CY74FCT163652CPACT	Z56	56-Lead (240-Mil) TSSOP	Industrial
	CY74FCT163652CPVC/PVCT	O56	56-Lead (300-Mil) SSOP	
6.3	CY74FCT163652APACT	Z56	56-Lead (240-Mil) TSSOP	Industrial

**Notes:**

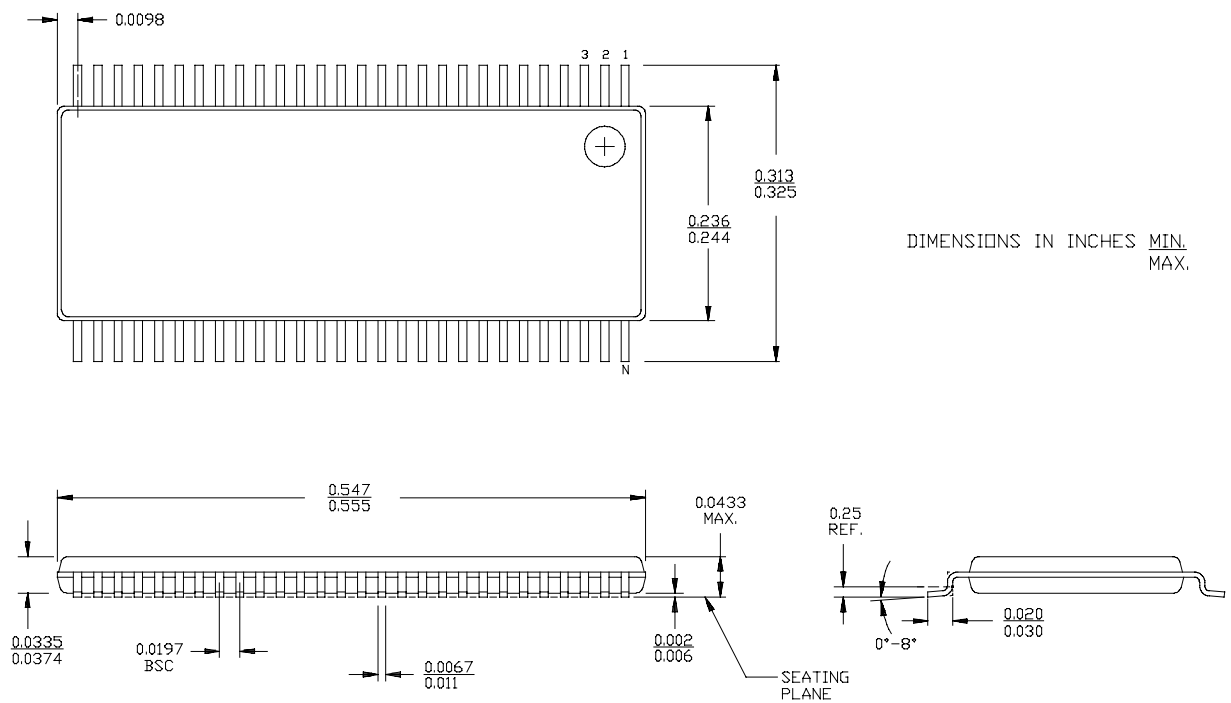
13. Minimum limits are specified, but not tested, on propagation delays.
14. For  $V_{CC}=2.7$ , propagation delay, output enable and output disable times should be degraded by 20%.
15. See "Parameter Measurement Information" in the General Information section.
16. Skew between any two outputs of the same package switching in the same direction. This parameter ensured by design.

**Package Diagrams**

**56-Lead Shrunken Small Outline Package O56**



**56-Lead Thin Shrunken Small Outline Package Z56**





**PACKAGING INFORMATION**

Orderable Device	Status <sup>(1)</sup>	Package Type	Package Drawing	Pins	Package Qty	Eco Plan <sup>(2)</sup>	Lead/Ball Finish	MSL Peak Temp <sup>(3)</sup>
CY74FCT163652APAC	OBSOLETE	TSSOP	DGG	56		TBD	Call TI	Call TI
CY74FCT163652APACT	OBSOLETE	TSSOP	DGG	56		TBD	Call TI	Call TI
CY74FCT163652CPAC	OBSOLETE	TSSOP	DGG	56		TBD	Call TI	Call TI
CY74FCT163652CPACT	OBSOLETE	TSSOP	DGG	56		TBD	Call TI	Call TI
CY74FCT163652CPVC	OBSOLETE	SSOP	DL	56		TBD	Call TI	Call TI
CY74FCT163652CPVCT	OBSOLETE	SSOP	DL	56		TBD	Call TI	Call TI

<sup>(1)</sup> The marketing status values are defined as follows:

**ACTIVE:** Product device recommended for new designs.

**LIFEBUY:** TI has announced that the device will be discontinued, and a lifetime-buy period is in effect.

**NRND:** Not recommended for new designs. Device is in production to support existing customers, but TI does not recommend using this part in a new design.

**PREVIEW:** Device has been announced but is not in production. Samples may or may not be available.

**OBSOLETE:** TI has discontinued the production of the device.

<sup>(2)</sup> Eco Plan - The planned eco-friendly classification: Pb-Free (RoHS) or Green (RoHS & no Sb/Br) - please check <http://www.ti.com/productcontent> for the latest availability information and additional product content details.

**TBD:** The Pb-Free/Green conversion plan has not been defined.

**Pb-Free (RoHS):** TI's terms "Lead-Free" or "Pb-Free" mean semiconductor products that are compatible with the current RoHS requirements for all 6 substances, including the requirement that lead not exceed 0.1% by weight in homogeneous materials. Where designed to be soldered at high temperatures, TI Pb-Free products are suitable for use in specified lead-free processes.

**Green (RoHS & no Sb/Br):** TI defines "Green" to mean Pb-Free (RoHS compatible), and free of Bromine (Br) and Antimony (Sb) based flame retardants (Br or Sb do not exceed 0.1% by weight in homogeneous material)

<sup>(3)</sup> MSL, Peak Temp. -- The Moisture Sensitivity Level rating according to the JEDEC industry standard classifications, and peak solder temperature.

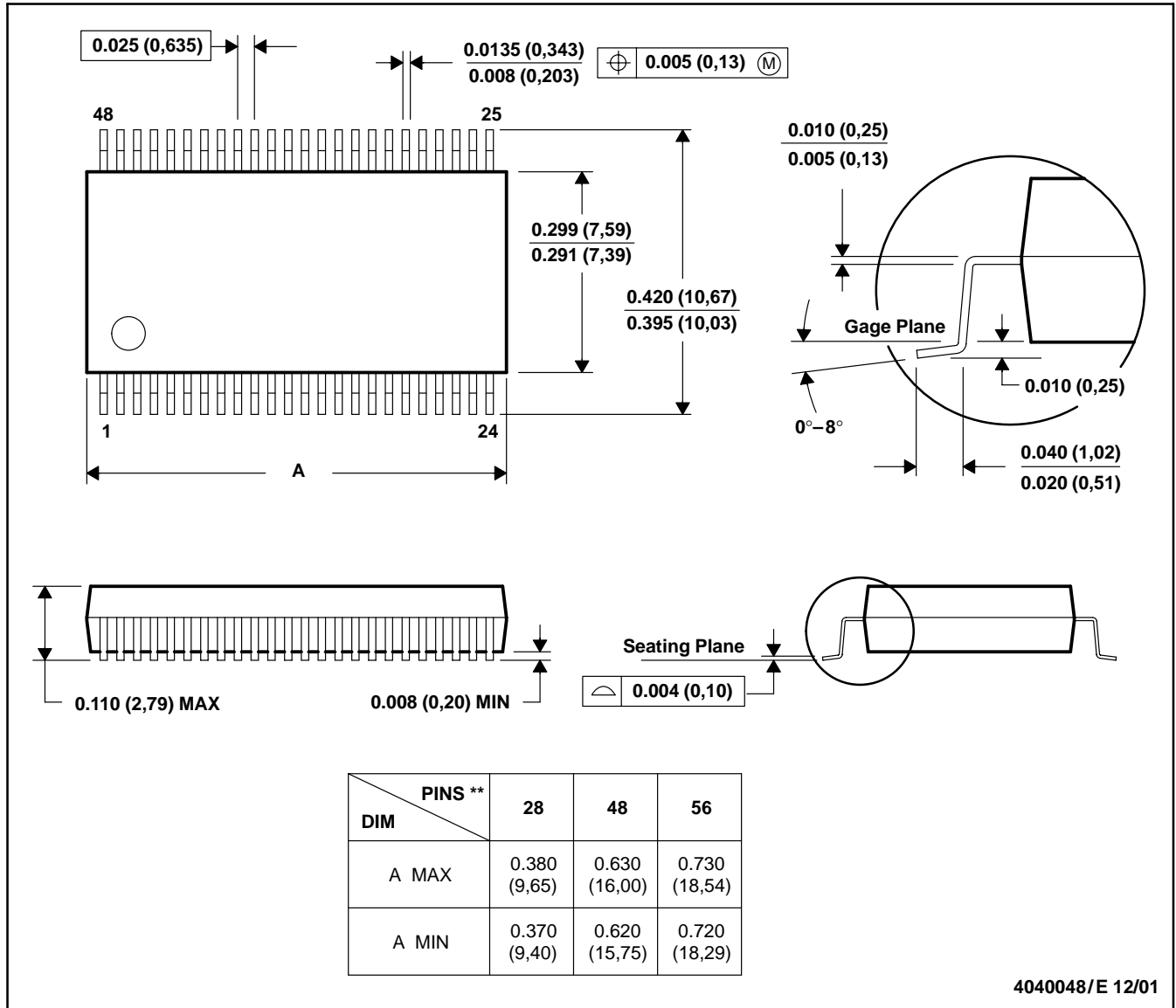
**Important Information and Disclaimer:**The information provided on this page represents TI's knowledge and belief as of the date that it is provided. TI bases its knowledge and belief on information provided by third parties, and makes no representation or warranty as to the accuracy of such information. Efforts are underway to better integrate information from third parties. TI has taken and continues to take reasonable steps to provide representative and accurate information but may not have conducted destructive testing or chemical analysis on incoming materials and chemicals. TI and TI suppliers consider certain information to be proprietary, and thus CAS numbers and other limited information may not be available for release.

In no event shall TI's liability arising out of such information exceed the total purchase price of the TI part(s) at issue in this document sold by TI to Customer on an annual basis.

DL (R-PDSO-G\*\*)

PLASTIC SMALL-OUTLINE PACKAGE

48 PINS SHOWN



- NOTES: A. All linear dimensions are in inches (millimeters).  
 B. This drawing is subject to change without notice.  
 C. Body dimensions do not include mold flash or protrusion not to exceed 0.006 (0,15).  
 D. Falls within JEDEC MO-118

DGG (R-PDSO-G\*\*)

PLASTIC SMALL-OUTLINE PACKAGE

48 PINS SHOWN



- NOTES: A. All linear dimensions are in millimeters.  
 B. This drawing is subject to change without notice.  
 C. Body dimensions do not include mold protrusion not to exceed 0,15.  
 D. Falls within JEDEC MO-153

## IMPORTANT NOTICE

Texas Instruments Incorporated and its subsidiaries (TI) reserve the right to make corrections, modifications, enhancements, improvements, and other changes to its products and services at any time and to discontinue any product or service without notice. Customers should obtain the latest relevant information before placing orders and should verify that such information is current and complete. All products are sold subject to TI's terms and conditions of sale supplied at the time of order acknowledgment.

TI warrants performance of its hardware products to the specifications applicable at the time of sale in accordance with TI's standard warranty. Testing and other quality control techniques are used to the extent TI deems necessary to support this warranty. Except where mandated by government requirements, testing of all parameters of each product is not necessarily performed.

TI assumes no liability for applications assistance or customer product design. Customers are responsible for their products and applications using TI components. To minimize the risks associated with customer products and applications, customers should provide adequate design and operating safeguards.

TI does not warrant or represent that any license, either express or implied, is granted under any TI patent right, copyright, mask work right, or other TI intellectual property right relating to any combination, machine, or process in which TI products or services are used. Information published by TI regarding third-party products or services does not constitute a license from TI to use such products or services or a warranty or endorsement thereof. Use of such information may require a license from a third party under the patents or other intellectual property of the third party, or a license from TI under the patents or other intellectual property of TI.

Reproduction of information in TI data books or data sheets is permissible only if reproduction is without alteration and is accompanied by all associated warranties, conditions, limitations, and notices. Reproduction of this information with alteration is an unfair and deceptive business practice. TI is not responsible or liable for such altered documentation.

Resale of TI products or services with statements different from or beyond the parameters stated by TI for that product or service voids all express and any implied warranties for the associated TI product or service and is an unfair and deceptive business practice. TI is not responsible or liable for any such statements.

Following are URLs where you can obtain information on other Texas Instruments products and application solutions:

<b>Products</b>		<b>Applications</b>	
Amplifiers	<a href="http://amplifier.ti.com">amplifier.ti.com</a>	Audio	<a href="http://www.ti.com/audio">www.ti.com/audio</a>
Data Converters	<a href="http://dataconverter.ti.com">dataconverter.ti.com</a>	Automotive	<a href="http://www.ti.com/automotive">www.ti.com/automotive</a>
DSP	<a href="http://dsp.ti.com">dsp.ti.com</a>	Broadband	<a href="http://www.ti.com/broadband">www.ti.com/broadband</a>
Interface	<a href="http://interface.ti.com">interface.ti.com</a>	Digital Control	<a href="http://www.ti.com/digitalcontrol">www.ti.com/digitalcontrol</a>
Logic	<a href="http://logic.ti.com">logic.ti.com</a>	Military	<a href="http://www.ti.com/military">www.ti.com/military</a>
Power Mgmt	<a href="http://power.ti.com">power.ti.com</a>	Optical Networking	<a href="http://www.ti.com/opticalnetwork">www.ti.com/opticalnetwork</a>
Microcontrollers	<a href="http://microcontroller.ti.com">microcontroller.ti.com</a>	Security	<a href="http://www.ti.com/security">www.ti.com/security</a>
		Telephony	<a href="http://www.ti.com/telephony">www.ti.com/telephony</a>
		Video & Imaging	<a href="http://www.ti.com/video">www.ti.com/video</a>
		Wireless	<a href="http://www.ti.com/wireless">www.ti.com/wireless</a>

Mailing Address: Texas Instruments  
Post Office Box 655303 Dallas, Texas 75265