

December 1996

Fast CMOS 3.3V 16-Bit Buffer/Line Driver

Features

- **Advanced 0.6 micron CMOS Technology**
- **Compatible with LCX™ Families of Products**
- **Supports 5V Tolerant Mixed Signal Mode Operation**
 - Input Can Be 3V or 5V
 - Output Can Be 3V or Connected to 5V Bus
- **Advanced Low Power CMOS Operation**
- **Excellent Output Drive Capability:**
 - **Balanced Drives (24mA Sink and Source)**
- **Pin Compatible with Industry Standard Double-Density Pinouts**
- **Low Ground Bounce Outputs**
- **Hysteresis on All Inputs**
- **Multiple Center Pin and Distributed V_{CC}/GND Pins Minimize Switching Noise**

Ordering Information

PART NUMBER	TEMP. RANGE (°C)	PACKAGE	PKG. NO.
CD74LPT16244AMT	-40 to 85	48 Ld TSSOP	M48.240-P
CD74LPT16244ASM	-40 to 85	48 Ld SSOP	M48.300-P
CD74LPT16244MT	-40 to 85	48 Ld TSSOP	M48.240-P
CD74LPT16244SM	-40 to 85	48 Ld SSOP	M48.300-P

NOTE: When ordering, use the entire part number. Add the suffix 96 to obtain the variant in the tape and reel.

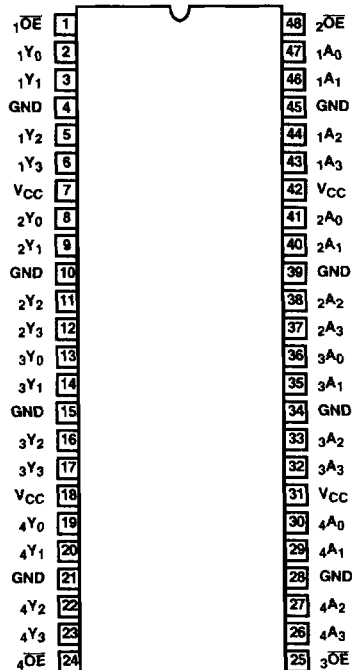
Description

The CD74LPT16244 is a 16-bit buffer/line driver designed for driving high capacitive memory loads. With its balanced-drive characteristics, this high-speed, low power device provides lower ground bounce, transmission line matching of signals, fewer line reflections and lower EMI and RFI effects. This makes it ideal for driving on-board buses and transmission lines. This device is designed with three-state controls to operate in a Quad-Nibble, Dual-Byte, or a single 16-bit word mode.

The CD74LPT16244 can be driven from either 3.3V or 5.0V devices allowing this device to be used as a translator in a mixed 3.3/5.0V system.

Pinout

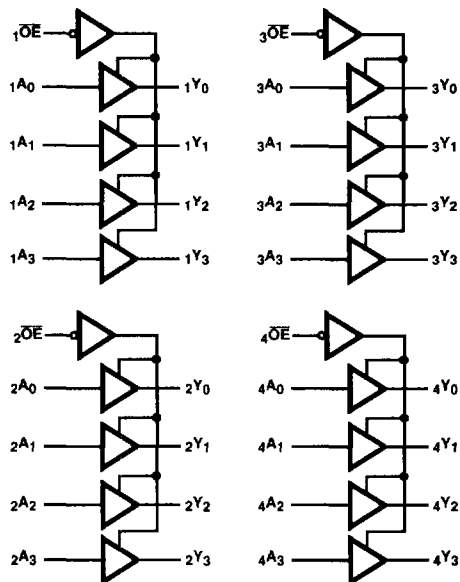
CD74LPT16244
(SSOP, TSSOP)
TOP VIEW



3

3.3V LPT

Functional Block Diagram



TRUTH TABLE (NOTE 1)

INPUTS		OUTPUTS
$x\overline{OE}$	xAx	xYx
L	L	L
L	H	H
H	X	Z

NOTE:

1. H = High Voltage Level
L = Low Voltage Level
X = Don't Care
Z = High Impedance

Pin Descriptions

PIN NAME	DESCRIPTION
$x\overline{OE}$	Three-State Output Enable Inputs (Active LOW)
xAx	Inputs
xYx	Three-State Outputs
GND	Ground
V_{CC}	Power

CD74LPT16244

Absolute Maximum Ratings

DC Input Voltage -0.5V to 7.0V
 DC Output Current 120mA

Operating Conditions

Operating Temperature Range -40°C to 85°C
 Supply Voltage to Ground Potential
 Inputs and V_{CC} Only -0.5V to 7.0V
 Supply Voltage to Ground Potential
 Outputs and D/O Only -0.5V to 7.0V

Thermal Information

Thermal Resistance (Typical, Note 2) θ_{JA} (°C/W)
 TSSOP Package 94
 SSOP Package 76
 Maximum Junction Temperature 150°C
 Maximum Storage Temperature Range -65°C to 150°C
 Maximum Lead Temperature (Soldering 10s) 300°C
 (Lead Tips Only)

CAUTION: Stresses above those listed in "Absolute Maximum Ratings" may cause permanent damage to the device. This is a stress only rating and operation of the device at these or any other conditions above those indicated in the operational sections of this specification is not implied.

NOTE:

- θ_{JA} is measured with the component mounted on an evaluation PC board in free air.

Electrical Specifications

PARAMETER	SYMBOL	(NOTE 3) TEST CONDITIONS	MIN	(NOTE 4) TYP	MAX	UNITS	
DC ELECTRICAL SPECIFICATIONS Over the Operating Range, T _A = -40°C to 85°C, V _{CC} = 2.7V to 3.6V							
Input HIGH Voltage (Input Pins)	V _{IH}	Guaranteed Logic HIGH Level	2.2	-	5.5	V	
Input HIGH Voltage (I/O Pins)	V _{IH}	Guaranteed Logic HIGH Level	2.0	-	5.5	V	
Input LOW Voltage (Input and I/O Pins)	V _{IL}	Guaranteed Logic LOW Level	-0.5	-	0.8	V	
Input HIGH Current (Input Pins)	I _{IH}	V _{CC} = Max V _{IN} = 5.5V	-	-	±1	µA	
Input HIGH Current (I/O Pins)	I _{IH}	V _{CC} = Max V _{IN} = V _{CC}	-	-	±1	µA	
Input LOW Current (Input Pins)	I _{IL}	V _{CC} = Max V _{IN} = GND	-	-	±1	µA	
Input LOW Current (I/O Pins)	I _{IL}	V _{CC} = Max V _{IN} = GND	-	-	±1	µA	
High Impedance Output Current (Three-State Output Pins)	I _{OZH}	V _{CC} = Max V _{OUT} = 5.5V	-	-	±1	µA	
	I _{OZL}	V _{CC} = Max V _{OUT} = GND	-	-	±1	µA	
Clamp Diode Voltage	V _{IK}	V _{CC} = Min, I _{IN} = -18mA	-	-0.7	-1.2	V	
Output HIGH Current	I _{ODH}	V _{CC} = 3.3V, V _{IN} = V _{IH} or V _{IL} , V _O = 1.5V (Note 5)	-36	-60	-110	mA	
Output LOW Current	I _{ODL}	V _{CC} = 3.3V, V _{IN} = V _{IH} or V _{IL} , V _O = 1.5V (Note 5)	50	90	200	mA	
Output HIGH Voltage	V _{OH}	V _{CC} = Min, V _{IN} = V _{IH} or V _{IL}	I _{OH} = -0.1mA	V _{CC} - 0.2	-	V	
			I _{OH} = -3mA	2.4	3.0	-	V
	V _{CC} = 3.0V, V _{IN} = V _{IH} or V _{IL}	I _{OH} = -8mA	2.4 (Note 7)	3.0	-	V	
		I _{OH} = -24mA	2.0	-	-	V	
Output LOW Voltage	V _{OL}	V _{CC} = Min, V _{IN} = V _{IH} or V _{IL}	I _{OL} = 0.1mA	-	-	0.2	V
			I _{OL} = 16mA	-	0.2	0.4	V
			I _{OL} = 24mA	-	0.3	0.5	V

3

3.3V LPT

CD74LPT16244

Electrical Specifications (Continued)

PARAMETER	SYMBOL	(NOTE 3) TEST CONDITIONS	MIN	(NOTE 4) TYP	MAX	UNITS	
Short Circuit Current (Note 6)	I_{OS}	$V_{CC} = \text{Max (Note 5), } V_{OUT} = \text{GND}$	-60	-85	-240	mA	
Power Down Disable	I_{OFF}	$V_{CC} = 0V, V_{IN} \text{ or } V_{OUT} \leq 4.5V$	-	-	± 100	μA	
Input Hysteresis	V_H		-	150	-	mV	
CAPACITANCE $T_A = 25^\circ C, f = 1\text{MHz}$							
Input Capacitance (Note 8)	C_{IN}	$V_{IN} = 0V$	-	4.5	6	pF	
Output Capacitance (Note 8)	C_{OUT}	$V_{OUT} = 0V$	-	5.5	8	pF	
POWER SUPPLY SPECIFICATIONS							
Quiescent Power Supply Current	I_{CC}	$V_{CC} = \text{Max}$	$V_{IN} = \text{GND}$ or V_{CC}	-	0.1	10	μA
Quiescent Power Supply Current TTL Inputs HIGH	ΔI_{CC}	$V_{CC} = \text{Max}$	$V_{IN} = V_{CC} - 0.6V$ (Note 9)	-	2.0	30	μA
Dynamic Power Supply Current (Note 10)	I_{CCD}	$V_{CC} = \text{Max, Outputs Open}$ $\chi\overline{OE} = \text{GND}$ One Bit Toggling 50% Duty Cycle	$V_{IN} = V_{CC}$ $V_{IN} = \text{GND}$	-	50	75	$\mu A/\text{MHz}$
Total Power Supply Current (Note 12)	I_C	$V_{CC} = \text{Max, Outputs Open}$ $f_i = 10\text{MHz, 50% Duty Cycle}$ $\chi\overline{OE} = \text{GND}$ One Bit Toggling	$V_{IN} = V_{CC} - 0.6V$ $V_{IN} = \text{GND}$	-	0.5	0.8	mA
		$V_{CC} = \text{Max, Outputs Open}$ $f_i = 2.5\text{MHz, 50% Duty Cycle}$ $\chi\overline{OE} = \text{GND}$ 16 Bits Toggling	$V_{IN} = V_{CC} - 0.6V$ $V_{IN} = \text{GND}$	-	2.0	3.3 (Note 11)	mA

CD74LPT16244

Switching Specifications Over Operating Range (Note 13)

PARAMETER	SYMBOL	(NOTE 14) TEST CONDITIONS	CD74LPT16244		CD74LPT16244A		UNITS
			(NOTE 15) MIN	MAX	(NOTE 15) MIN	MAX	
Propagation Delay x_Ax to x_Yx	t_{PLH} , t_{PHL}	$C_L = 50pF$ $R_L = 500\Omega$	1.5	5.2	1.5	4.8	ns
Output Enable Time x_{OE} to x_Yx	t_{PZH} , t_{PZL}		1.5	7.0	1.5	6.2	ns
Output Disable Time (Note 16) x_{OE} to x_Yx	t_{PHZ} , t_{PLZ}		1.5	7.0	1.5	5.6	ns
Output Skew (Note 17)	$t_{SK(O)}$		-	0.5	-	0.5	ns

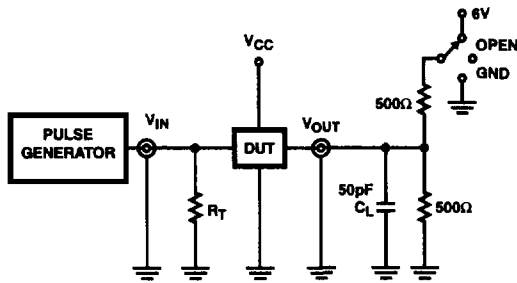
NOTES:

3. For conditions shown as Max or Min, use appropriate value specified under Electrical Specifications for the applicable device type.
4. Typical values are at $V_{CC} = 3.3V$, $25^\circ C$ ambient and maximum loading.
5. Not more than one output should be shorted at one time. Duration of the test should not exceed one second.
6. This parameter is guaranteed but not tested.
7. $V_{OH} = V_{CC} - 0.6V$ at rated current.
8. This parameter is determined by device characterization but is not production tested.
9. Per TTL driven input; all other inputs at V_{CC} or GND.
10. This parameter is not directly testable, but is derived for use in Total Power Supply Calculations.
11. Values for these conditions are examples of the I_{CC} formula. These limits are guaranteed but not tested.
12. $I_C = I_{QUIESCENT} + I_{INPUTS} + I_{DYNAMIC}$
 $I_C = I_{CC} + \Delta I_{CC} D_H N_T + I_{CCD} (f_{CP}/2 + f_i N_i)$
 $I_{CC} =$ Quiescent Current (I_{CCL} , I_{CCH} and I_{CCZ})
 $\Delta I_{CC} =$ Power Supply Current for a TTL High Input
 $D_H =$ Duty Cycle for TTL Inputs High
 $N_T =$ Number of TTL Inputs at D_H
 $I_{CCD} =$ Dynamic Current Caused by an Input Transition Pair (HLH or LHL)
 $f_{CP} =$ Clock Frequency for Register Devices (Zero for Non-Register Devices)
 $N_{CP} =$ Number of Clock Inputs at f_{CP}
 $f_i =$ Input Frequency
 $N_i =$ Number of Inputs at f_i
 All currents are in milliamps and all frequencies are in megahertz.
13. Propagation Delays and Enable/Disable times are with $V_{CC} = 3.3V \pm 0.3V$, normal range. For $V_{CC} = 2.7V$, extended range, all Propagation Delays and Enable/Disable times should be degraded by 20%.
14. See test circuit and wave forms.
15. Minimum limits are guaranteed but not tested on Propagation Delays.
16. This parameter is guaranteed but not production tested.
17. Skew between any two outputs, of the same package, switching in the same direction. This parameter is guaranteed by design.

3

3.3V LPT

Test Circuits and Waveforms



SWITCH POSITION	
TEST	SWITCH
t_{PLZ} , t_{PZL} , Open Drain	6V
t_{PHZ} , t_{PZH}	GND
t_{PLH} , t_{PHL}	Open

DEFINITIONS:

C_L = Load capacitance, includes jig and probe capacitance.

R_T = Termination resistance, should be equal to Z_{OUT} of the Pulse Generator.

NOTE:

18. Pulse Generator for All Pulses: Rate $\leq 1.0\text{MHz}$; $Z_{OUT} \leq 50\Omega$;
 t_f , $t_r \leq 2.5\text{ns}$.

FIGURE 1. TEST CIRCUIT

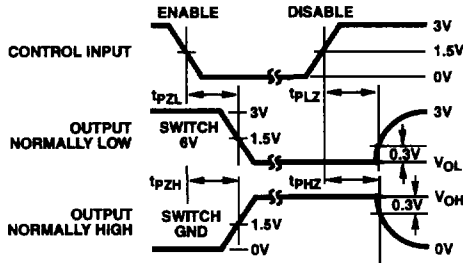


FIGURE 2. ENABLE AND DISABLE TIMING

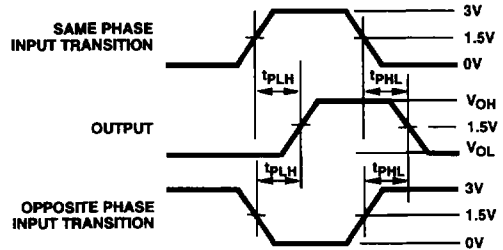


FIGURE 3. PROPAGATION DELAY