

Low Voltage Octal Bus Transceiver/Register with 5V Tolerant Inputs and Outputs

The TC74LCX652 is a high performance CMOS OCTAL BUS TRANSCIEVER/REGISTER. Designed for use in 3.3 Volt systems, it achieves high speed operation while maintaining the CMOS low power dissipation.

The device is designed for low-voltage (3.3V) V_{CC} applications, but it could be used to interface to 5V supply environment for both inputs and outputs.

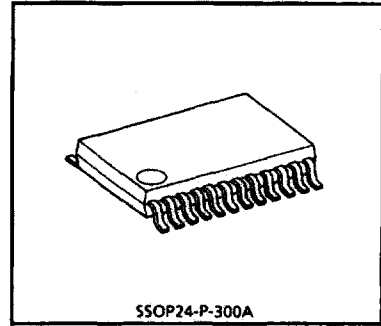
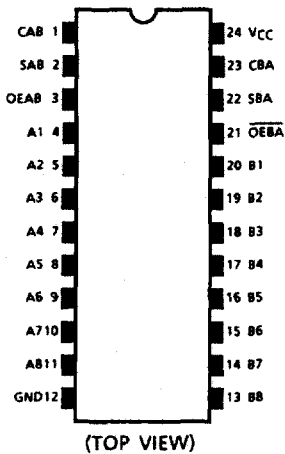
This device is bus transceiver with 3-state outputs, D-type flip-flops, and control circuitry arranged for multiplexed transmission of data directly from the internal registers.

All inputs are equipped with protection circuits against static discharge.

Features

- Low Voltage Operation: $V_{CC} = 2.0 \sim 3.6V$
- High Speed Operation: $t_{pd} = 7.0ns$ (Max.) ($V_{CC} = 3.0 \sim 3.6V$)
- Output Current: $I_{OH}/I_{OL} = 24mA$ (Min.) ($V_{CC} = 3.0V$)
- Latch-up Performance: $\pm 500mA$
- Available in SSOP
- Bidirectional interface between 5V and 3.3V signals.
- Power down protection is provided on all inputs and outputs.
- Pin and Function Compatible with the 74 series
- (74AC/MHC/HC/F/ALS/LS etc.) 652 type.

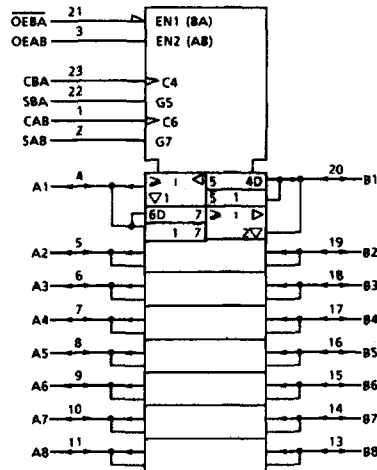
Pin Assignment



Weight : 0.14g (Typ.)

(Note) Do not apply a signal to any bus terminal when it is in the output mode. Damage may result.

All floating (high impedance) bus terminals must have their input levels fixed by means of pull up or pull down resistors.



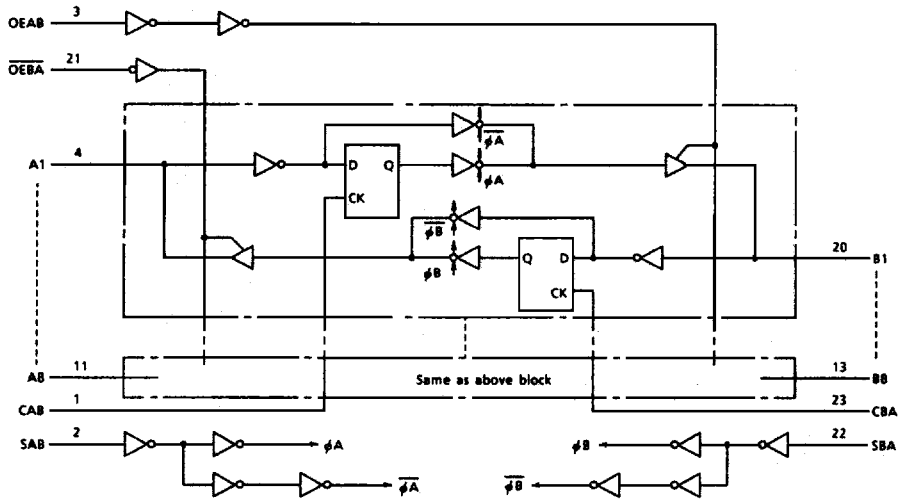
IEC Logic Symbol

Truth Table

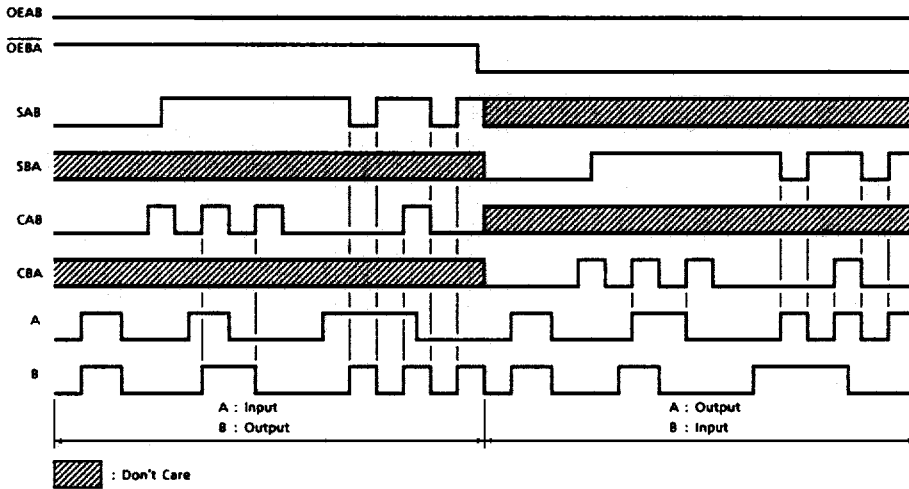
		Control Inputs				Bus		Function
OEAB	OEBA	CAB	CBA	SAB	SBA	A	B	
L	H	X*	X*	X	X	Input	Input	The output functions of A and B Busses are disabled.
		Z	Z			Z	Z	
		f	f	X	X	X	X	Both A and B Busses are used as inputs to the internal flip-flops. Data on the Bus will be stored on the rising edge of the Clock.
H	H	X*	X*	L	X	Input	Output	The data on the A Bus are displayed on the B bus.
		L	H			L	L	
		f	X*	L	X	L	L	The data on the A bus are displayed on the B Bus, and are stored into the A storage flip-flops on the rising edge of CAB.
		X*	X*	H	X	X	Qn	The data in the A storage flip-flops are displayed on the B Bus.
		f	X*	H	X	L	L	The data on the A Bus are stored into the A storage flip-flops on the rising edge of CAB, and the stored data propagate directly onto the B Bus.
L	L	X*	X*	X	L	Output	Input	The data on the B Bus are displayed on the A bus.
		L	H			L	L	
		X*	f	X	L	L	L	The data on the B Bus are displayed on the A Bus, and are stored into the B storage flip-flops on the rising edge of CBA.
		X*	X*	X	H	Qn	X	The data in the B storage flip-flops are displayed on the A Bus.
		X*	f	X	H	L	L	The data on the B Bus are stored into the B storage flip-flops on the rising edge of CBA, and the stored data propagate directly onto the A Bus.
H	L	X*	X*	H	H	Output	Output	The data in the A storage flip-flops are displayed on the B Bus, and the data in the B storage flip-flops are displayed on the A.
		Qn	Qn			Qn	Qn	

- Notes: X: Don't Care
 Z: High Impedance
 Qn: The data sorted into the internal flip-flops by most recent low to high transition of the clock inputs.
 *: The clocks are not internally gated with either OEAB or OEBA. Therefore, data on the A and/or B Busses may be clocked into the storage flip-flops at any time.

System Diagram



Timing Chart



Absolute Maximum Ratings

Parameter	Symbol	Value	Unit
Supply Voltage Range	V_{CC}	-0.5 ~ 7.0	V
DC Input Voltage (CAB, CBA, SAB, SBA, OEAB, OEBA)	V_{IN}	-0.5 ~ 7.0	V
DC Bus I/O Voltage	$V_{I/O}$	-0.5 ~ 7.0 (Note 1) -0.5 ~ $V_{CC} + 0.5$ (Note 2)	V
Input Diode Current	I_{IK}	-50	mA
Output Diode Current	I_{OK}	±50 (Note 3)	mA
DC Output Current	I_{OUT}	±50	mA
Power Dissipation	P_D	180	mW
DC V_{CC} /Ground Current	I_{CC}/I_{GND}	±100	mA
Storage Temperature	T_{stg}	-65 ~ 150	°C

(Note 1) Off-State

(Note 2) High or Low State. I_{OUT} absolute maximum rating must be observed.(Note 3) $V_{OUT} < GND$, $V_{OUT} > V_{CC}$ **Recommended Operating Conditions**

Parameter	Symbol	Value	Unit
Supply Voltage	V_{CC}	2.0 ~ 3.6 1.5 ~ 3.6 (Note 4)	V
Input Voltage (CAB, CBA, SAB, SBA, OEAB, OEBA)	V_{IN}	0 ~ 5.5	V
Bus I/O Voltage	V_{OUT}	0 ~ 5.5 (Note 5) 0 ~ V_{CC} (Note 6)	V
Output Current	I_{OH}/I_{OL}	±24 (Note 7) ±12 (Note 8)	mA
Operating Temperature	T_{opr}	-40 ~ 85	°C
Input Rise and Fall Time	dt/dv	0 ~ 10 (Note 9)	ns/V

(Note 4) Data Retention Only

(Note 5) Off-State

(Note 6) High or Low State.

(Note 7) $V_{CC} = 3.0 \sim 3.6V$ (Note 8) $V_{CC} = 2.7 \sim 3.0V$ (Note 9) $V_{IN} = 0.8 \sim 2.0V$, $V_{CC} = 3.0V$

Electrical Characteristics

DC Characteristics (Ta = -40 ~ 85°C)

Parameter	Symbol	Test Condition	V _{CC} (V)		Min.	Max.	Unit	
Input Voltage	"H" Level	V _{IH}	2.7 - 3.6		2.0	-	V	
	"L" Level	V _{IL}	2.7 - 3.6		-	0.8		
Output Voltage	"H" Level	V _{OH}	V _{IN} = V _{IH} or V _{IL}	I _{OH} = -100µA	2.7 - 3.6	V _{CC} - 0.2	-	V
				I _{OH} = -12mA	2.7	2.2	-	
				I _{OH} = -18mA	3.0	2.4	-	
				I _{OH} = -24mA	3.0	2.2	-	
"L" Level	V _{OL}	V _{IN} = V _{IH} or V _{IL}	I _{OL} = 100µA	2.7 - 3.6	-	0.2		
			I _{OL} = 12mA	2.7 - 3.6	-	0.4		
			I _{OL} = 16mA	3.0	-	0.4		
			I _{OL} = 24mA	3.0	-	0.55		
Input Leakage Current	I _{IN}	V _{IN} = 0 - 5.5V	2.7 - 3.6		-	±5.0	µA	
3-State Output Off-State Current	I _{OZ}	V _{IN} = V _{IH} or V _{IL} V _{OUT} = 0 - 5.5V	2.7 - 3.6		-	±5.0	µA	
Power Off Leakage Current	I _{OFF}	V _{IN} /V _{OUT} = 5.5V	0		-	10.0	µA	
Quiescent Supply Current	I _{CC}	V _{IN} = V _{CC} or GND V _{IN} /V _{OUT} = 3.6 - 5.5V	2.7 - 3.6		-	10.0	µA	
			2.7 - 3.6		-	±10.0		
Increase in I _{CC} per Input	ΔI _{CC}	V _{IH} = V _{CC} - 0.6V	2.7 - 3.6		-	500		

AC Characteristics (Ta = -40 ~ 85°C)

Parameter	Symbol	Test Condition	V _{CC} (V)		Min.	Max.	Unit
Maximum Clock Frequency	f _{MAX}	(Fig. 1, 2)	2.7 3.3 ± 0.3	- 150	- -	- -	MHz
Propagation Delay Time (An, Bn - Bn, An)	t _{pLH} t _{pHL}	(Fig. 1, 2)	2.7	-	-	8.0	ns
			3.3 ± 0.3	1.5	-	7.0	
Propagation Delay Time (CAB, CBA - Bn, An)	t _{pLH} t _{pLH}	(Fig. 1, 5)	2.7	-	-	9.5	ns
			3.3 ± 0.3	1.5	-	8.5	
Propagation Delay Time (SAB, SBA - Bn, An)	t _{pLH} t _{pLH}	(Fig. 1, 2)	2.7	-	-	9.5	ns
			3.3 ± 0.3	1.5	-	8.5	
Output Enable Time (OEAB, OEBA - An, Bn)	t _{pZL} t _{pZH}	(Fig. 1, 3, 4)	2.7	-	-	9.5	ns
			3.3 ± 0.3	1.5	-	8.5	
Output Disable Time (OEAB, OEBA - An, Bn)	t _{pLZ} t _{pHZ}	(Fig. 1, 3, 4)	2.7	-	-	9.5	ns
			3.3 ± 0.3	1.5	-	8.5	
Minimum Pulse Width	t _{w(H)} t _{w(L)}	(Fig. 1, 5)	2.7	3.3	-	-	ns
			3.3 ± 0.3	3.3	-	-	
Minimum Setup Time	t _s	(Fig. 1, 5)	2.7 3.3 ± 0.3	2.5 2.5	- -	- -	ns
Minimum Hold Time	t _h	(Fig. 1, 5)	2.7 3.3 ± 0.3	1.5 1.5	- -	- -	ns
Output to Output Skew	t _{osLH} t _{osHL}	(Note 10)	2.7	-	-	-	ns
			3.3 ± 0.3	-	-	1.0	

(Note 10) Parameter guaranteed by design. (t_{osLH} = t_{pLHm} - t_{pLHn}, t_{osHL} = t_{pHLm} - t_{pHLn})

Dynamic Switching Characteristics (Ta = 25°C, Input t_r = t_f = 2.5ns, C_L = 50pF, R_L = 500Ω)

Parameter	Symbol	Test Condition	V _{CC} (V)		Typical	Unit
Quiet Output Maximum Dynamic V _{OL}	V _{OLP}	V _{IH} = 3.3V, V _{IL} = 0V	3.3		0.8	V
Quiet Output Minimum Dynamic V _{OL}	V _{OLV}	V _{IH} = 3.3V, V _{IL} = 0V	3.3		0.8	V

Capacitive Characteristics

Parameter	Symbol	Test Condition	V _{CC} (V)	Typical	Unit
			3.3±0.3		
Input Capacitance	C _{IN}	OEAB, OEBA, CAB, CBA, SAB, SBA	3.3±0.3	7	pF
Bus Input Capacitance	C _{i/O}	An, Bn	3.3±0.3	8	pF
Power Dissipation Capacitance	C _{PD}	f _{IN} = 10MHz (Note 11)	3.3±0.3	25	pF

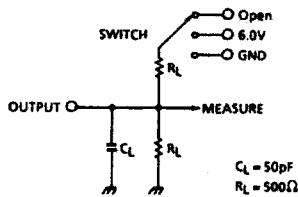
(Note 11) C_{PD} is defined as the value of the internal equivalent capacitance which is calculated from the operating current consumption without load.

Average operating current can be obtained by the equation:

$$I_{CC(opr.)} = C_{PD} \cdot V_{CC} \cdot f_{IN} + I_{CC}/8 \text{ (per bit)}$$

TEST CIRCUIT

Fig.1



Parameter	Switch
t _{PLH} , t _{PHL}	Open
t _{P LZ} , t _{P ZL}	6.0V
t _{P HZ} , t _{P ZH}	GND
t _w , t _s , t _r , t _{MAX}	Open

AC WAVEFORM

Fig.2 t_{pLH}, t_{pHL}

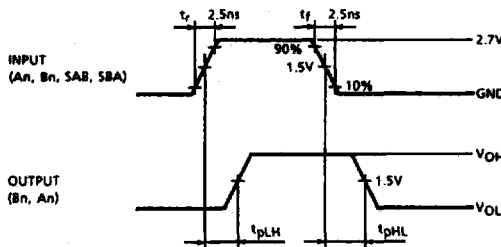


Fig.3 t_{pLZ}, t_{pHZ}, t_{pZL}, t_{pZH}

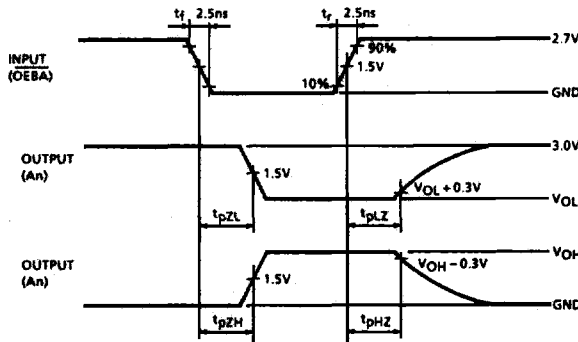


Fig.4 t_{pLZ} , t_{pHZ} , t_{pZL} , t_{pZH}

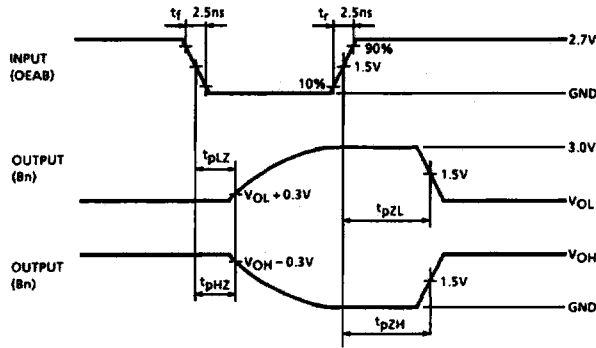
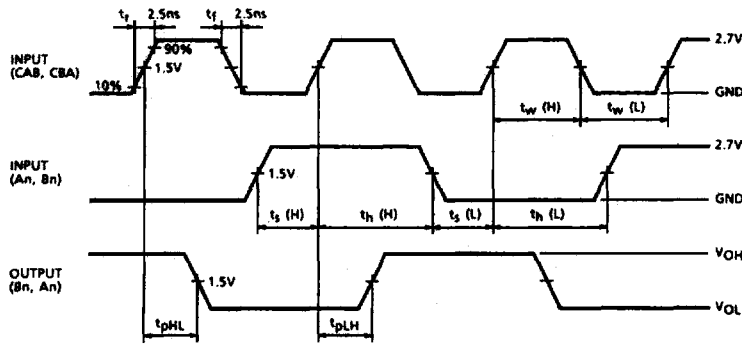



Fig.5 t_{pLH} , t_{pHL} , t_w , t_s , t_h



Notes



1. This technical data may be controlled under U.S. Export Administration Regulations and may be subject to the approval of the U.S. Department of Commerce prior to export. Any export or re-export, directly or indirectly, in contravention of the U.S. Export Administration Regulations is strictly prohibited.

2. LIFE SUPPORT POLICY

Toshiba products described in this document are not authorized for use as critical components in life support systems without the written consent of the appropriate officer of Toshiba America, Inc. Life support systems are either systems intended for surgical implant in the body or systems which sustain life.

A critical component in any component of a life support system whose failure to perform may cause a malfunction of the life support system, or may affect its safety or effectiveness.

3. The information in this document has been carefully checked and is believed to be reliable; however no responsibility can be assumed for inaccuracies that may not have been caught. All information in this data book is subject to change without prior notice. Furthermore, Toshiba cannot assume responsibility for the use of any license under the patent rights of Toshiba or any third parties.