

# TB62734FMG

## Step-Up Type DC-DC Converter for White LED's

The TB62734FMG is a high-efficiency step-up type DC-DC converter the design of which has been optimized for driving white LED's.

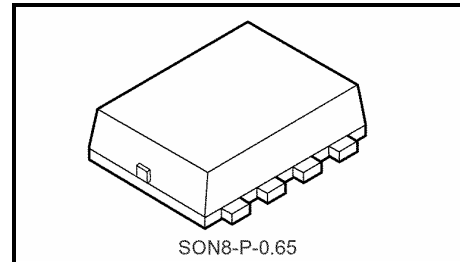
It is possible to drive two to six white LED's connected in series by the lithium ion battery. This IC contains the N-ch MOS transistor required for switching of external inductors.

The LED forward current is set up using an external resistor. PWM brightness control is possible through the use of analog voltage input and pulse input.

The switching frequency is fixed at around 1.0 MHz.

This IC is most suitable for use as a white LED backlighting driver for color LCD's in PDA's, cellular phones and handy terminal devices.

The suffix (G) appended to the part number represents a Lead (Pb) -Free product.

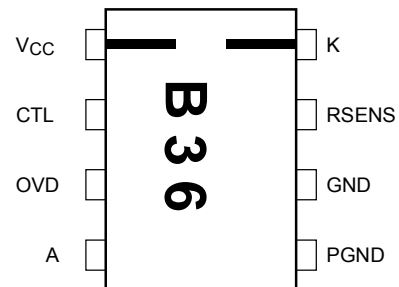


Weight: 0.02 g (typ.)

### Features

- Brightness control function: LED forward current 30~100%
- Maximum output voltage: 24 V  
(supporting 2 to 6 LED's in series)
- LED current variable through external resistance:  
20 mA (typ.) @ RSENS = 7.5 Ω
- Output power: 500 mW
- Package: SON8-P-0.65 (typical height: 0.8 mm)
- High efficiency: 85% (recommended parts in use)
- Low-resistance power MOS included:  
Ron = 0.7 Ω (typ.) @ VIN = 2.8 to 5.5 V
- Overvoltage detection included:  
Protection voltage: OVD pin = 20 V (typ.)

### Pin Assignment (top view)



Note 1: The pins of this IC are sensitive to electrostatic discharge (3 pin: HBM spec <math>\lt; \pm 1.5 \text{ kV}</math>). Handle with care. Be sure to install the device in the correct orientation. Make sure that the positive and negative terminals of the power supplies are connected correctly. Misconnections may cause breakdown of the IC.

Note 2: Leaving the control pin open may cause output instability. Be sure to fix this control pin to a definite logic level. Be sure to fix this control pin to a definite logic level.

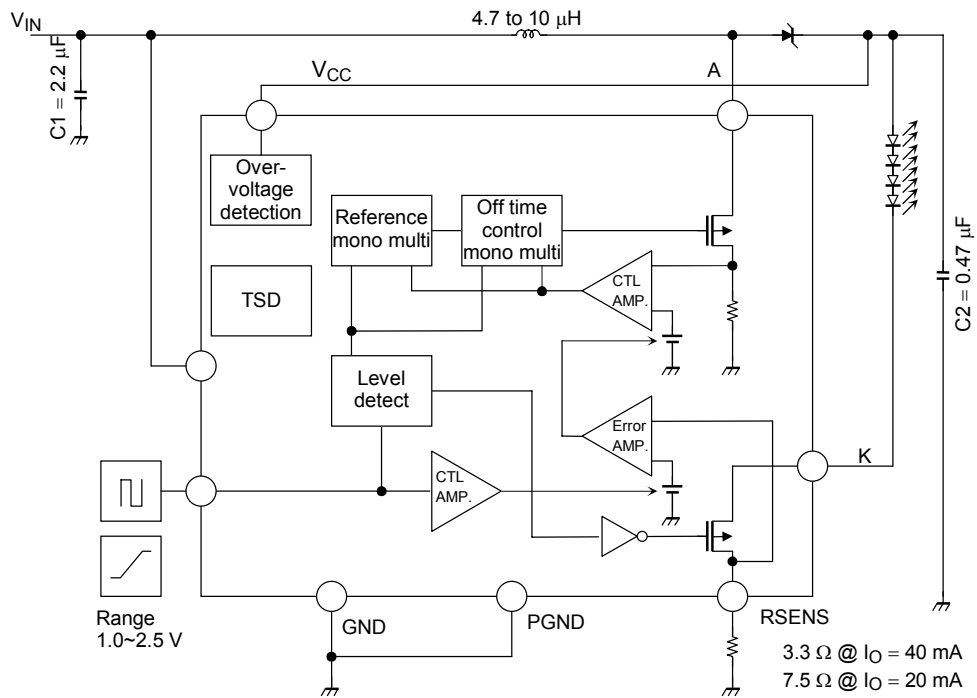
Note 3: Regarding solderability, the following conditions have been confirmed:

- Solderability

(1) Use of Sn-37Pd solder bath  
solder bath temperature = 230°C, dipping time = 5 seconds, number of times = once, use of R-type flux

(2) Use of Sn-3.0Ag-0.5Cu solder bath  
solder bath temperature = 245°C, dipping time = 5 seconds, number of times = once, use of R-type flux

## Block Diagram



## Pin Description

No.	Symbol	Function
1	V <sub>CC</sub>	Supply voltage pin. Supply voltage range: 2.8 V to 5.5 V
2	CTL	Input pin for IC ON/OFF control and variable LED I <sub>O</sub> . 0 to 0.4 V: Shutdown mode (IC shutdown) 1.0 V to 2.5 V: I <sub>O</sub> = 30 to 100% variable (linear control) Over 2.6 V: I <sub>O</sub> = 100%
3	OVD	Feedback pin for output voltage
4	A	Sink driver pin for step-up DC-DC converter
5	PGND	Ground pin for power line
6	GND	Ground pin
7	RSENS	Pin for connecting the resistance for LED current I <sub>O</sub> setup.
8	K	Connected to the LED cathode

Note: Connect the PGND and GND pins to the ground.

### Absolute Maximum Ratings ( $T_{opr} = 25^{\circ}\text{C}$ if not specified)

Characteristic	Symbol	Ratings	Unit
Power supply voltage	$V_{CC}$	-0.3 to 6.0	V
Input voltage	$V_{IN}$	-0.3 to $V_{CC} + 0.3$	V
Switching terminal voltage	$V_{O(A)}$	-0.3 to 24	V
OVD voltage	$V_{OVD}$	-0.3 to 23	V
Power dissipation	$P_D$	0.41 (device)	W
		0.47 (with PCB) (Note)	
Thermal resistance	$R_{th(j-a)1}$	300 (device)	$^{\circ}\text{C/W}$
	$R_{th(j-a)2}$	260 (with PCB)	
Operating temperature range	$T_{opr}$	-40 to 85	$^{\circ}\text{C}$
Storage temperature	$T_{stg}$	-40 to 150	$^{\circ}\text{C}$
Maximum junction temperature	$T_j$	125	$^{\circ}\text{C}$

Note: For every rise in ambient temperature by  $1^{\circ}\text{C}$  above the  $25^{\circ}\text{C}$ , the allowable loss must be reduced by  $3.8 \text{ mW}/^{\circ}\text{C}$  relative to the maximum rated value (when the device is mounted on a PCB).

### Recommended Operating Condition ( $T_{opr} = -40$ to $85^{\circ}\text{C}$ if not specified)

Characteristic	Symbol	Test Conditions	Min.	Typ.	Max.	Unit
Power supply voltage	$V_{CC}$	—	2.8	—	5.5	V
CTL terminal H level input voltage	$V_{CTL(H)}$	—	$V_{CC} - 0.5$	—	$V_{CC}$	V
CTL terminal L level input voltage	$V_{CTL(L)}$	—	0	—	0.4	V
LED current (average value)	$I_{O1}$	$V_{CC} = 3.6 \text{ V}$ , $V_{CTL} > 2.6 \text{ V}$ $R_{SENS} = 7.5 \Omega$ , six (6) LED's $T_{opr} = 25^{\circ}\text{C}$	—	20	—	mA
	$I_{O2}$	$V_{CC} = 3.6 \text{ V}$ , $V_{CTL} > 2.6 \text{ V}$ $R_{SENS} = 7.5 \Omega$ , four (4) LED's $T_{opr} = 25^{\circ}\text{C}$	—	20	—	mA
	$I_{O3}$	$V_{CC} = 3.6 \text{ V}$ , $V_{CTL} > 2.6 \text{ V}$ $R_{SENS} = 3.3 \Omega$ , three (3) LED's $T_{opr} = 25^{\circ}\text{C}$	—	40	—	mA

**Electrical Characteristics ( $T_{opr} = -40\sim 85^{\circ}\text{C}$   $V_{CC} = 2.8\sim 5.5\text{ V}$  if not specified)**

Characteristic	Symbol	Test Conditions	Min.	Typ.	Max.	Unit
Operating consumption current	$I_{CC (ON)}$	$V_{CC} = 3.6\text{ V}$ , $R_{SENS} = 8.2\ \Omega$	—	0.9	1.5	mA
Quiescent consumption current	$I_{CC (OFF)}$	$V_{CC} = 3.6\text{ V}$ , $V_{CTL} = 0\text{ V}$	—	0.5	1.0	$\mu\text{A}$
CTL terminal current	$I_{CTL}$	$V_{CC} = 3.0\text{ V}$ , $V_{CTL} = 3.0\text{ V}$	7	12	21	$\mu\text{A}$
Integrated MOS-Tr ON resistance	$R_{on}$	$I_{O (A)} = \text{greater than } 400\text{ mA}$	—	0.7	1.5	$\Omega$
Integrated MOS-Tr switching frequency	$f_{OSC}$	$V_{CC} = 3.6\text{ V}$ , $V_{CTL} = 3.0\text{ V}$ $T_{opr} = 25^{\circ}\text{C}$	0.75	1.0	1.39	MHz
A terminal protection voltage	$V_{O (A)}$	Six (6) white LED's connected in series are supported	24	—	—	V
Switching terminal current	$I_{O (A)}$	—	—	600	—	mA
Switching terminal leakage current	$I_{OZ (A)}$	$V_{O (A)} = 22\text{ V}$	—	0.5	1	$\mu\text{A}$
OVD terminal voltage	$V_{OVD}$	—	19	21	23	V
OVD terminal leakage current	$I_{OVDZ}$	$V_{OVD} = 18\text{ V}$	—	0.5	1	$\mu\text{A}$
LED current (average value)	$I_{O2}$	$V_{CC} = 3.6\text{ V}$ , $V_{CTL} > 2.6\text{ V}$ $R_{SENS} = 7.5\ \Omega$ , $L = 6.8\ \mu\text{H}$ illumination of four (4) LED's, $T_{opr} = 25^{\circ}\text{C}$	18	20	22	mA

**Setting the Output Side Capacitance**

A C2 of 0.47 (μF) or greater is recommended.

**Setting the External Inductor Size**

Reference: According to the number of LED's, select an inductor size greater than the corresponding value indicated in the table below.

Number of LED's	V <sub>IN</sub> = 2.8V to 5.5V	Note
2	4.7	I <sub>O</sub> = 20 mA Unit: μH
3	6.8	
4		
5		
6	10	

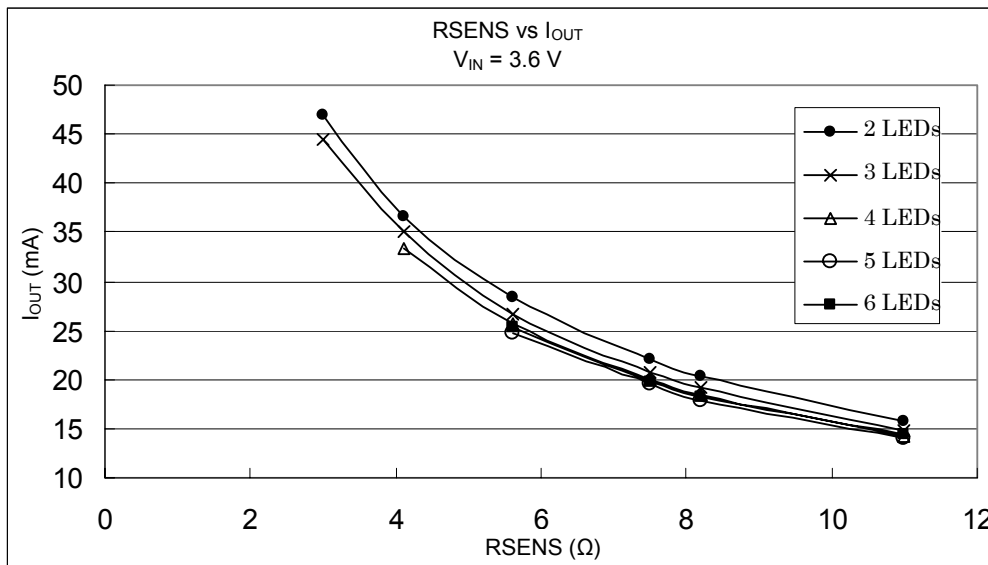
**Setting of I<sub>O</sub>**

Connect the RSENS resistor between the RSENS pin and GND. The RSENS resistor (K terminal and Ground) is used for setting the output current (I<sub>O</sub>).

Average currents set by this RSENS value are obtained using the following equations. (Choose the equation corresponding to the number of LED's.)

- 2 LED's: I<sub>O</sub> = 119.16 × RSENS<sup>-0.8399</sup>
- 3 LED's: I<sub>O</sub> = 115.32 × RSENS<sup>-0.854</sup>
- 4 LED's: I<sub>O</sub> = 113.08 × RSENS<sup>-0.8614</sup>
- 5 LED's: I<sub>O</sub> = 108.02 × RSENS<sup>-0.8534</sup>
- 6 LED's: I<sub>O</sub> = 106.71 × RSENS<sup>-0.836</sup>

The equations above apply only to the inductor sizes we recommend, i.e., they cannot be used to calculate average current if the inductor sizes used differ from those recommended.

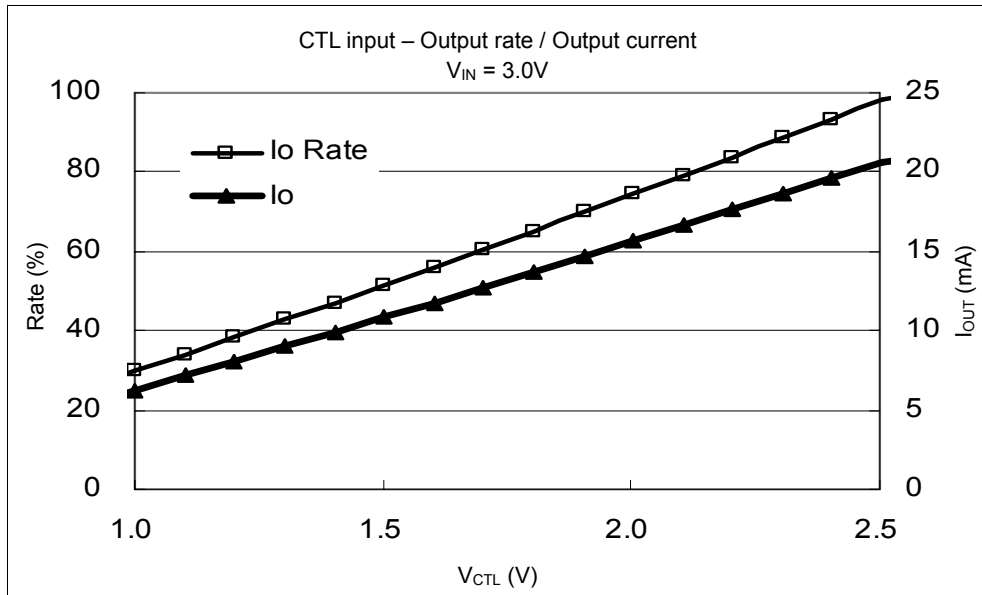


## Current Control through the CTL Pin

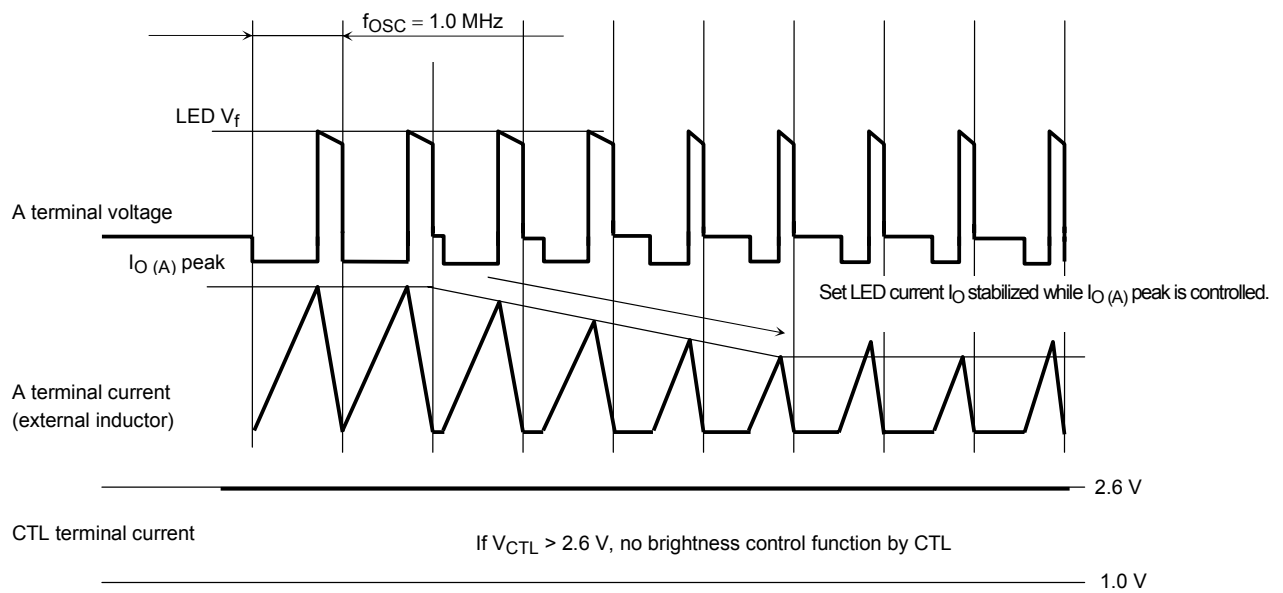
With this IC it is possible to vary the  $I_O$  current through the external resistance. Variable range: 30 to 100%.

CTL voltage	$V_{CTL} = 0\text{ V to }0.4\text{ V}$	$V_{CTL} = 1\text{ V to }2.5\text{ V}$	$V_{CTL} > 2.6\text{ V}$	Note
$I_O$ valuable rate	0	30 to 100	100	Unit: %

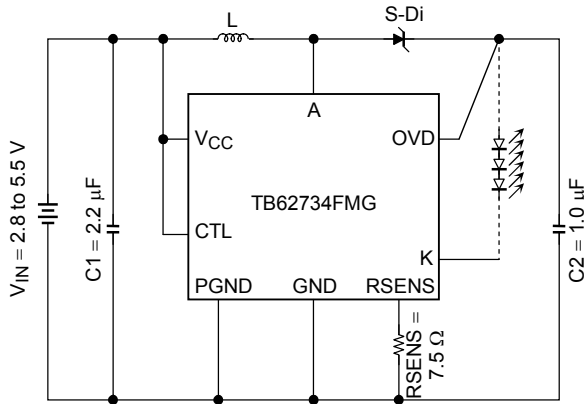
The linearity tolerance during V-A conversion is  $\pm 10\%$ .



## Timing Chart

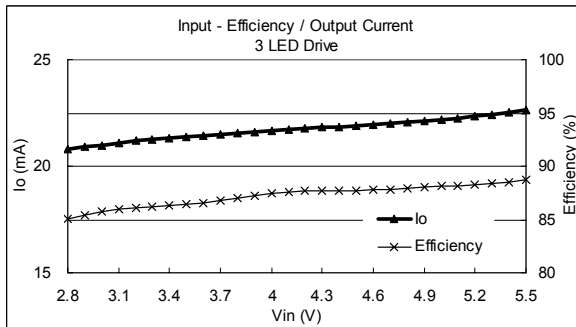
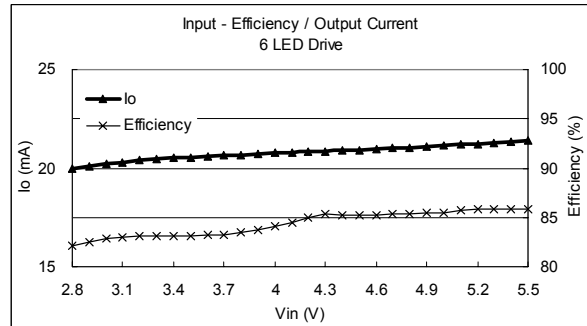
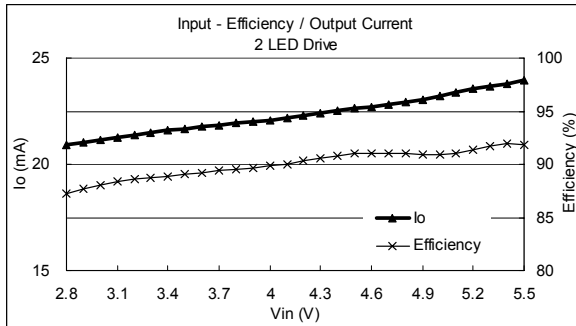
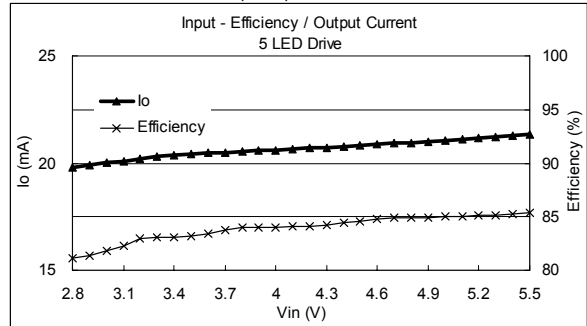


## 1. Example of Application Circuit and Measurement Data: Inductor 1001AS Series (Toko)



- L : 1001AS series (Size: 3.8 × 3.8 × 1.2 mm)
- S-Di : CUS02 1 A/30 V (TOSHIBA)
- LED : NSCW215T (NICHIA)
- C1 : C2012JB1E225K (TDK)
- C2 : C2012JB1E105K (TDK)

- 2 LED drive : L = 4.7 μH
- 3 to 5 LED drive : L = 6.8 μH
- 6 LED drive : L = 10 μH



### <Measurement Data>

Efficiency in the range of  $V_{IN} = 2.8$  to  $5.5$  V

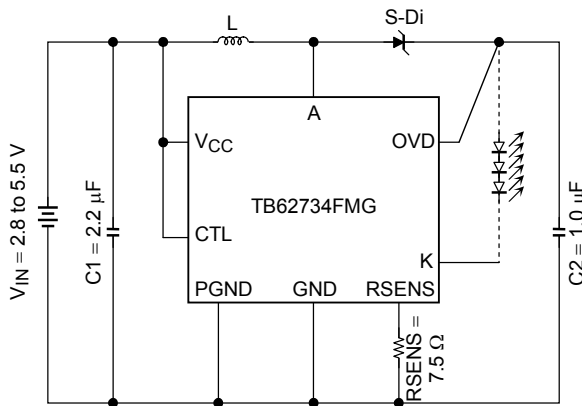
	Efficiency (%)	Average Efficiency (%)
2 LED	87.25 to 91.90	90.00
3 LED	85.04 to 88.75	87.24
4 LED	83.18 to 86.95	85.50
5 LED	81.15 to 85.36	83.93
6 LED	82.11 to 85.87	84.35

Output current in the range of  $V_{IN} = 2.8$  to  $5.5$  V

	Output Current (mA)	Tolerance (%)
2 LED	20.90 to 23.96	14.65 (5.87)
3 LED	20.80 to 22.62	8.77 (3.88)
4 LED	20.18 to 21.78	7.89 (3.66)
5 LED	19.82 to 21.34	7.67 (3.47)
6 LED	19.95 to 21.40	7.26 (3.22)

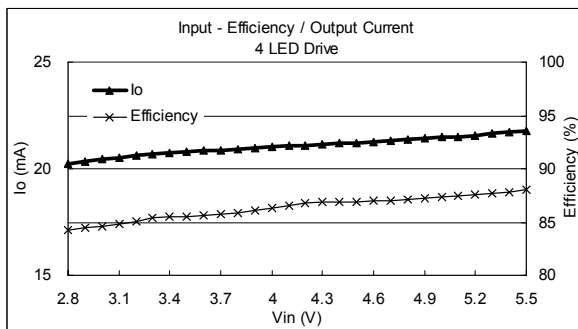
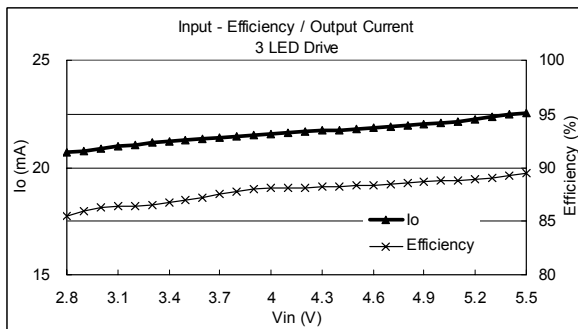
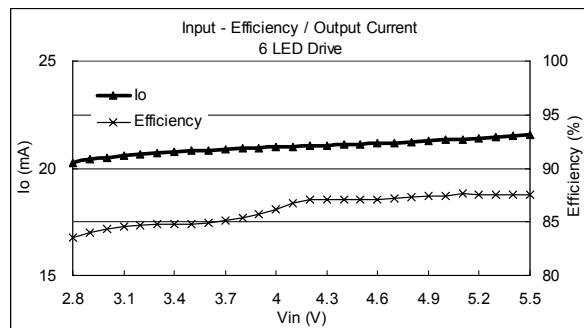
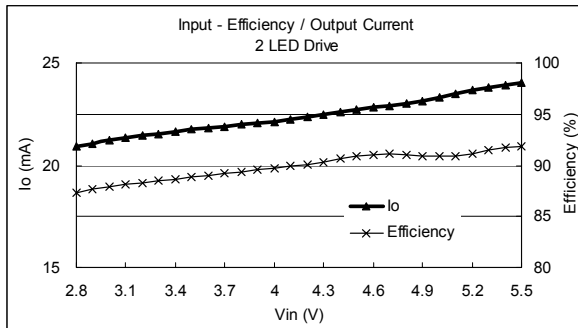
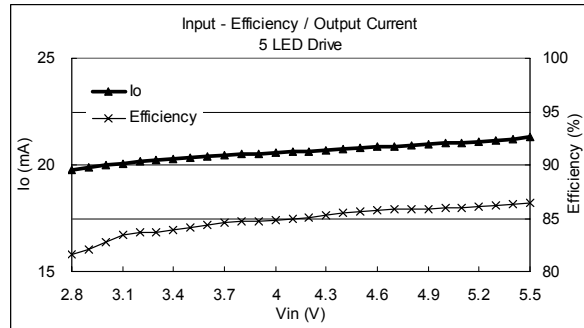
( ) : Range of  $V_{IN} = 3.0$  to  $4.3$  V

## 2. Example of Application Circuit and Measurement Data: Inductor CXLD120 Series (Sumitomo)



- 2 LED drive : L = 4.7 μH
- 3 to 5 LED drive : L = 6.8 μH
- 6 LED drive : L = 10 μH

- L : 1001AS series (Size: 3.0 × 2.65 × 1.20 mm)
- S-Di : CUS02 1 A/30 V (TOSHIBA)
- LED : NSCW215T (NICHIA)
- C1 : C2012JB1E225K (TDK)
- C2 : C2012JB1E105K (TDK)



### <Measurement Data>

Efficiency in the range of  $V_{IN} = 2.8$  to  $5.5$  V

	Efficiency (%)	Average Efficiency (%)
2 LED	87.34 to 91.82	89.87
3 LED	85.46 to 89.50	87.81
4 LED	84.22 to 87.99	86.33
5 LED	81.65 to 86.49	84.84
6 LED	83.53 to 87.63	86.15

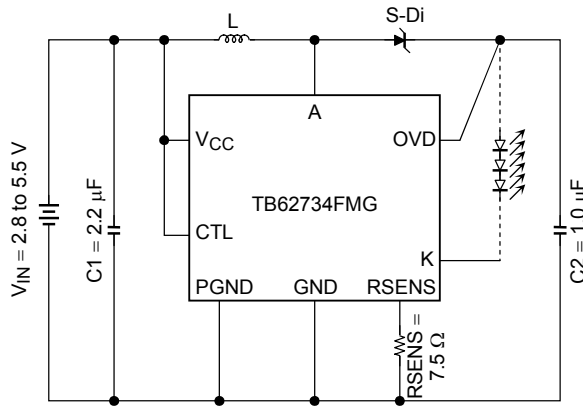
Output current in the range of  $V_{IN} = 2.8$  to  $5.5$  V

	Output Current (mA)	Tolerance (%)
2 LED	20.93 to 24.06	14.95 (6.01)
3 LED	20.69 to 22.56	9.02 (3.96)
4 LED	20.22 to 21.77	7.66 (3.49)
5 LED	19.78 to 21.30	7.69 (3.51)
6 LED	20.28 to 21.55	6.28 (2.71)

( ) : Range of  $V_{IN} = 3.0$  to  $4.3$  V

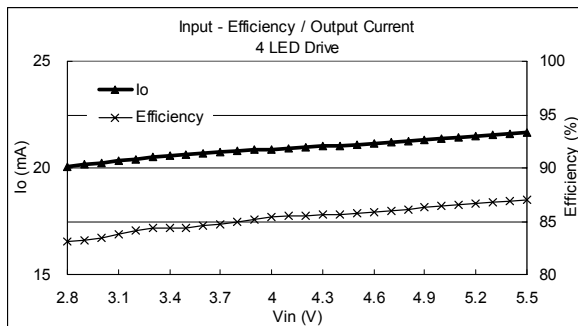
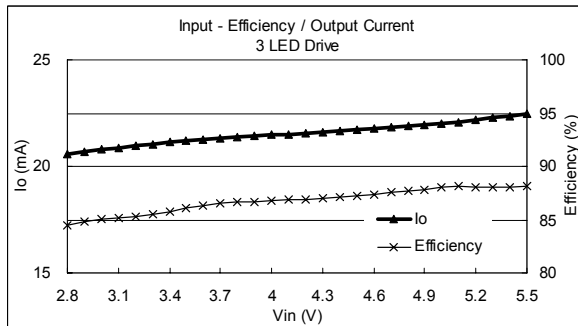
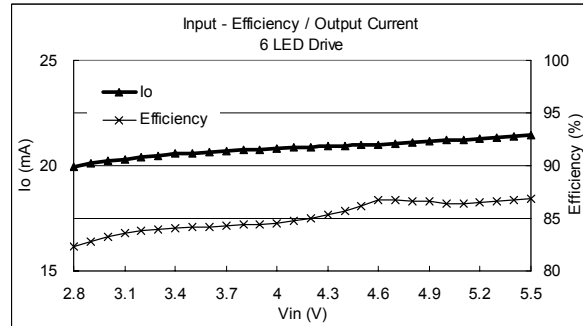
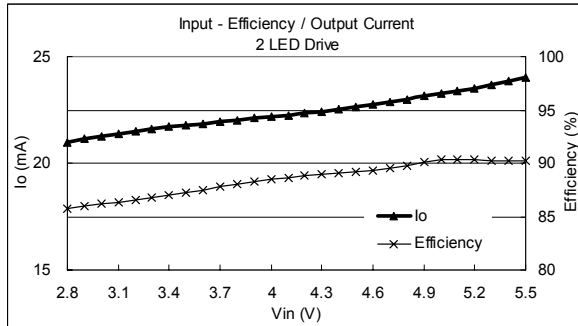
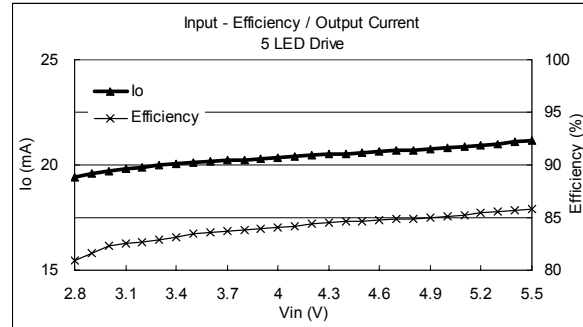


### 3. Example of Application Circuit and Measurement Data: Inductor VLF3010 Series (TDK)



- L : VLF3010 series (Size: 3.0 × 3.0 × 1.0 mm)
- S-Di : CUS02 1 A/30 V (TOSHIBA)
- LED : NSCW215T (NICHIA)
- C1 : C2012JB1E225K (TDK)
- C2 : C2012JB1E105K (TDK)

- 2 LED drive : L = 4.7 μH
- 3 to 5 LED drive : L = 6.8 μH
- 6 LED drive : L = 10 μH



#### <Measurement Data>

Efficiency in the range of  $V_{IN} = 2.8$  to  $5.5$  V

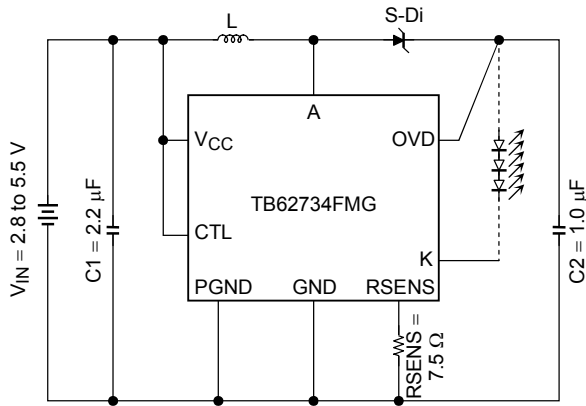
	Efficiency (%)	Average Efficiency (%)
2 LED's	85.70 to 90.39	88.47
3 LED's	84.51 to 88.15	86.76
4 LED's	83.06 to 86.97	85.30
5 LED's	80.94 to 85.78	84.07
6 LED's	82.28 to 86.85	85.11

Output current in the range of  $V_{IN} = 2.8$  to  $5.5$  V

	Output Current (mA)	Tolerance (%)
2 LED's	21.00 to 24.01	14.35(5.53)
3 LED's	20.57 to 22.48	9.27(4.06)
4 LED's	20.03 to 21.69	8.24(3.74)
5 LED's	19.44 to 21.14	8.75(4.07)
6 LED's	19.96 to 21.46	7.52(3.40)

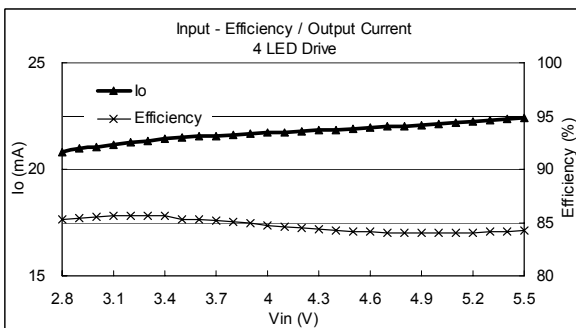
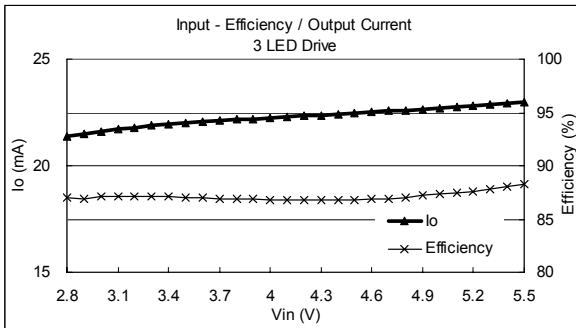
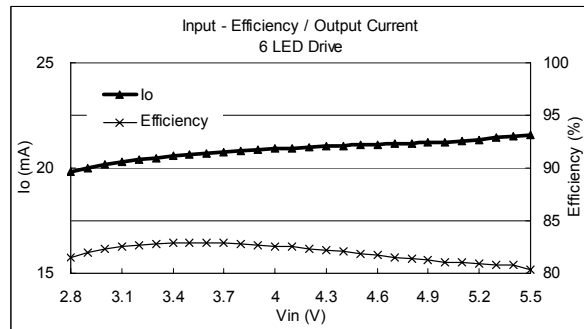
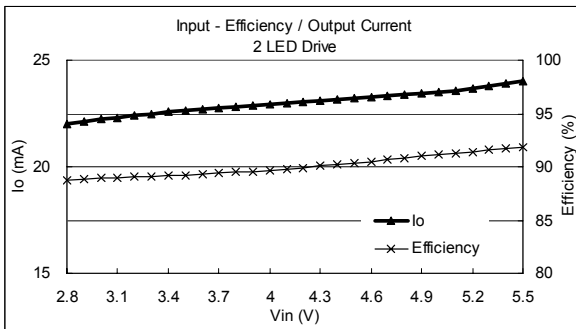
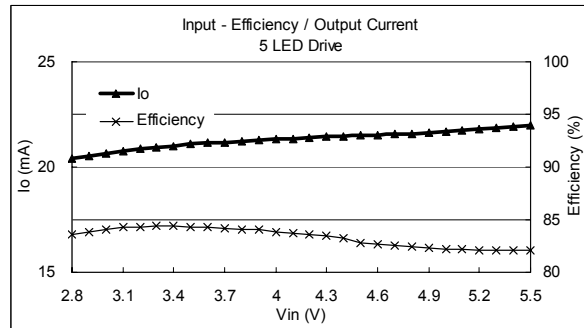
( ) : Range of  $V_{IN} = 3.0$  to  $4.3$  V

## 4. Example of Application Circuit and Measurement Data: Inductor CXML322509-150 (Sumitomo)



2 to 6 LED drive: L = 15 μH

- L : CXML322509-150 (Size 3.2 × 2.5 × 0.9 mm)
- S-Di : CUS02 1 A/30 V (TOSHIBA)
- LED : NSCW215T (NICHIA)
- C1 : C2012JB1E225K (TDK)
- C2 : C2012JB1E105K (TDK)



### <Measurement Data>

Efficiency in the range of  $V_{IN} = 2.8$  to  $5.5$  V

	Efficiency (%)	Average Efficiency (%)
2 LED's	88.75 to 91.85	90.07
3 LED's	86.77 to 88.22	87.13
4 LED's	84.00 to 85.65	84.71
5 LED's	82.13 to 84.38	83.34
6 LED's	80.39 to 82.92	81.98

Output current in the range of  $V_{IN} = 2.8$  to  $5.5$  V

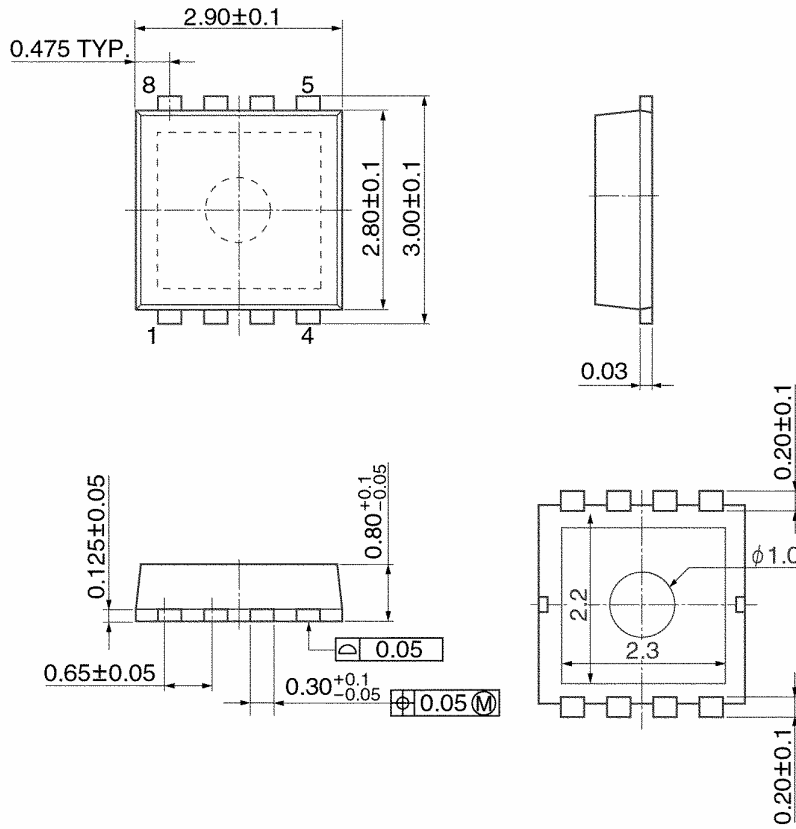
	Output Current (mA)	Tolerance (%)
2 LED's	22.00 to 24.04	9.30 (3.85)
3 LED's	21.39 to 23.00	7.49 (3.56)
4 LED's	20.82 to 22.41	7.61 (3.65)
5 LED's	20.39 to 21.99	7.82 (3.75)
6 LED's	19.84 to 21.57	8.69 (4.26)

( ) : Range of  $V_{IN} = 3.0$  to  $4.3$  V

## Package Dimensions

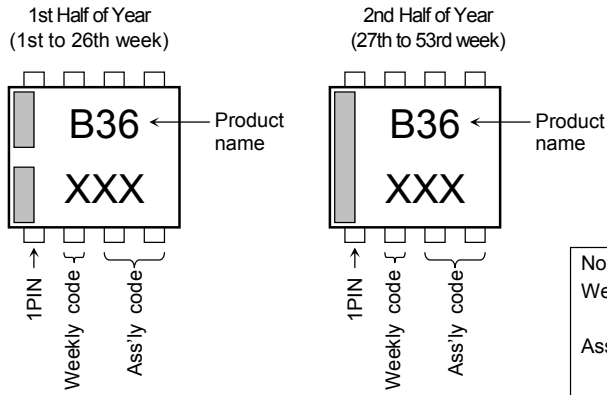
SON8-P-0.65

Unit: mm



Weight: 0.02 g (typ.)

## Marking



**Note:**  
Weekly code: Code indicating the week of manufacture .  
A (1st week) to Z (26th week)  
Ass'y code: Lot code for the week of manufacture  
A1 (1st lot), A2 (2nd lot), and ... A9, A0,  
B1 ... Z0, 21 ... 90

## Notes on Contents

### 1. Block Diagrams

Some of the functional blocks, circuits, or constants in the block diagram may be omitted or simplified for explanatory purposes.

### 2. Equivalent Circuits

The equivalent circuit diagrams may be simplified or some parts of them may be omitted for explanatory purposes.

### 3. Timing Charts

Timing charts may be simplified for explanatory purposes.

### 4. Application Circuits

The application circuits shown in this document are provided for reference purposes only.

Thorough evaluation is required, especially at the mass production design stage.

Toshiba does not grant any license to any industrial property rights by providing these examples of application circuits.

### 5. Test Circuits

Components in the test circuits are used only to obtain and confirm the device characteristics. These components and circuits are not guaranteed to prevent malfunction or failure from occurring in the application equipment.

## IC Usage Considerations

### Notes on Handling of ICs

- (1) The absolute maximum ratings of a semiconductor device are a set of ratings that must not be exceeded, even for a moment. Do not exceed any of these ratings.  
Exceeding the rating(s) may cause the device breakdown, damage or deterioration, and may result injury by explosion or combustion.
- (2) Use an appropriate power supply fuse to ensure that a large current does not continuously flow in case of over current and/or IC failure. The IC will fully break down when used under conditions that exceed its absolute maximum ratings, when the wiring is routed improperly or when an abnormal pulse noise occurs from the wiring or load, causing a large current to continuously flow and the breakdown can lead smoke or ignition. To minimize the effects of the flow of a large current in case of breakdown, appropriate settings, such as fuse capacity, fusing time and insertion circuit location, are required.
- (3) If your design includes an inductive load such as a motor coil, incorporate a protection circuit into the design to prevent device malfunction or breakdown caused by the current resulting from the inrush current at power ON or the negative current resulting from the back electromotive force at power OFF. IC breakdown may cause injury, smoke or ignition.  
Use a stable power supply with ICs with built-in protection functions. If the power supply is unstable, the protection function may not operate, causing IC breakdown. IC breakdown may cause injury, smoke or ignition.
- (4) Do not insert devices in the wrong orientation or incorrectly.  
Make sure that the positive and negative terminals of power supplies are connected properly. Otherwise, the current or power consumption may exceed the absolute maximum rating, and exceeding the rating(s) may cause the device breakdown, damage or deterioration, and may result injury by explosion or combustion.  
In addition, do not use any device that is applied the current with inserting in the wrong orientation or incorrectly even just one time.

- (5) Carefully select external components (such as inputs and negative feedback capacitors) and load components (such as speakers), for example, power amp and regulator.
- If there is a large amount of leakage current such as input or negative feedback condenser, the IC output DC voltage will increase. If this output voltage is connected to a speaker with low input withstand voltage, overcurrent or IC failure can cause smoke or ignition. (The over current can cause smoke or ignition from the IC itself.) In particular, please pay attention when using a Bridge Tied Load (BTL) connection type IC that inputs output DC voltage to a speaker directly.

**Points to Remember on Handling of ICs**

## (1) Heat Radiation Design

In using an IC with large current flow such as power amp, regulator or driver, please design the device so that heat is appropriately radiated, not to exceed the specified junction temperature ( $T_j$ ) at any time and condition. These ICs generate heat even during normal use. An inadequate IC heat radiation design can lead to decrease in IC life, deterioration of IC characteristics or IC breakdown. In addition, please design the device taking into consideration the effect of IC heat radiation with peripheral components.

## (2) Back-EMF

When a motor rotates in the reverse direction, stops or slows down abruptly, a current flow back to the motor's power supply due to the effect of back-EMF. If the current sink capability of the power supply is small, the device's motor power supply and output pins might be exposed to conditions beyond absolute maximum ratings. To avoid this problem, take the effect of back-EMF into consideration in system design.

About solderability, following conditions were confirmed

- Solderability
  - (1) Use of Sn-37Pb solder Bath
    - solder bath temperature = 230°C
    - dipping time = 5 seconds
    - the number of times = once
    - use of R-type flux
  - (2) Use of Sn-3.0Ag-0.5Cu solder Bath
    - solder bath temperature = 245°C
    - dipping time = 5 seconds
    - the number of times = once
    - use of R-type flux

## RESTRICTIONS ON PRODUCT USE

060116EBA

- The information contained herein is subject to change without notice. 021023\_D
- TOSHIBA is continually working to improve the quality and reliability of its products. Nevertheless, semiconductor devices in general can malfunction or fail due to their inherent electrical sensitivity and vulnerability to physical stress. It is the responsibility of the buyer, when utilizing TOSHIBA products, to comply with the standards of safety in making a safe design for the entire system, and to avoid situations in which a malfunction or failure of such TOSHIBA products could cause loss of human life, bodily injury or damage to property.  
In developing your designs, please ensure that TOSHIBA products are used within specified operating ranges as set forth in the most recent TOSHIBA products specifications. Also, please keep in mind the precautions and conditions set forth in the "Handling Guide for Semiconductor Devices," or "TOSHIBA Semiconductor Reliability Handbook" etc. 021023\_A
- The TOSHIBA products listed in this document are intended for usage in general electronics applications (computer, personal equipment, office equipment, measuring equipment, industrial robotics, domestic appliances, etc.). These TOSHIBA products are neither intended nor warranted for usage in equipment that requires extraordinarily high quality and/or reliability or a malfunction or failure of which may cause loss of human life or bodily injury ("Unintended Usage"). Unintended Usage include atomic energy control instruments, airplane or spaceship instruments, transportation instruments, traffic signal instruments, combustion control instruments, medical instruments, all types of safety devices, etc. Unintended Usage of TOSHIBA products listed in this document shall be made at the customer's own risk. 021023\_B
- The products described in this document shall not be used or embedded to any downstream products of which manufacture, use and/or sale are prohibited under any applicable laws and regulations. 060106\_Q
- The information contained herein is presented only as a guide for the applications of our products. No responsibility is assumed by TOSHIBA for any infringements of patents or other rights of the third parties which may result from its use. No license is granted by implication or otherwise under any patent or patent rights of TOSHIBA or others. 021023\_C
- The products described in this document are subject to the foreign exchange and foreign trade laws. 021023\_E