

3.3V, Wide Bandwidth, 8-Channel, 2:1 Mux/DeMux USB 2.0 Switch with Single Enable

Features

- R_{ON} is 4Ω typical
- Low bit-to-bit skew: 200ps
- Low crosstalk: $-27dB @ 250MHz$
- Low Current Consumption; $20\mu A$
- Near-Zero propagation delay: 250ps
- Switching speed: 3ns
- Channel On-Capacitance: 6pF (typical)
- V_{CC} Operating Range: +3.0V to +3.6V
- ESD $>2000V$. . . Human Body Model
- $>500MHz$ bandwidth (or data frequency)
- Packaging (Pb-free & Green available):
-48-pin 240 mil wide plastic TSSOP (A)

Applications

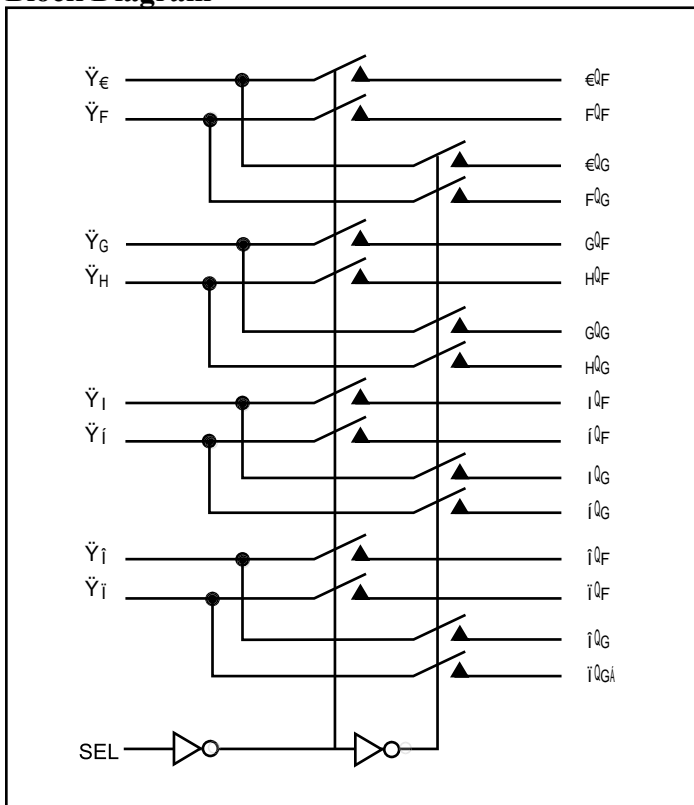
- Routes physical layer signals for high-speed, high bandwidth differential protocols

Description

The PI3USB40 is a 16- to 8-channel multiplexer/demultiplexer Switch with Hi-Z outputs. Industry leading advantages include a propagation delay of less than 250ps, resulting from its low channel resistance and I/O capacitance. The device multiplexes differential outputs from a USB transceiver device to one of two corresponding outputs.

The switch is bidirectional and offers little or no attenuation of the high-speed signals at the outputs. It is designed for low bit-to-bit skew, high channel-to-channel noise isolation and is compatible with various standards, such as High Speed USB 2.0 (480 Mb/s).

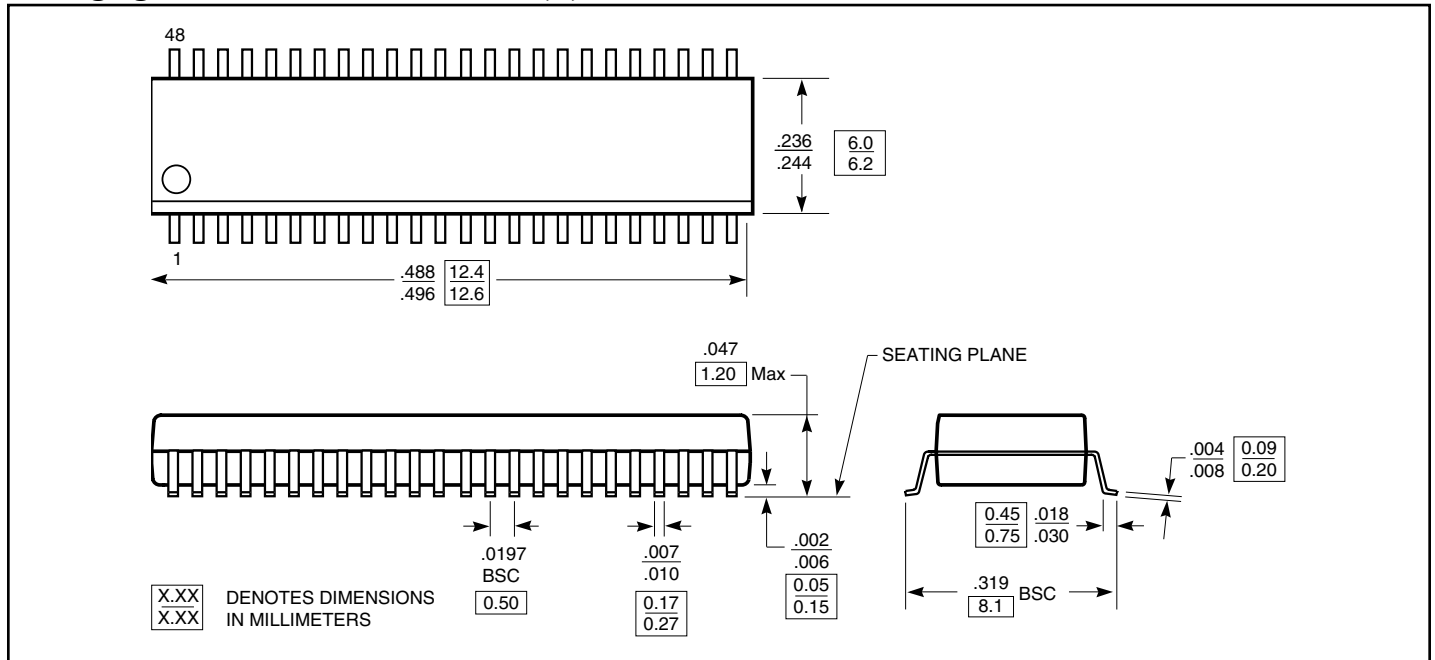
Block Diagram



Pin Description

X00	F	Ij	EQF
Yε	G	Ij	FQF
0P0	H	Ij	0P0
YF	I	Ij	EQG
0P0	i	II	FQG
X00	i	IH	0P0
0P0	i	IG	GQF
YG	i	IF	HQF
0P0	J	Iε	0P0
YH	Fε	HJ	GQG
0P0	FF	Hj	HQG
X00	FG	Hj	0P0
0P0	FH	Hj	X00
P0	FI	Hj	iQF
Yi	Fi	HI	iQF
0P0	Fi	HH	0P0
Yi	Fi	HG	iQG
0P0	Fi	HF	iQG
X00	FJ	Hε	0P0
0P0	Gε	GJ	iQF
Yi	GF	Gi	iQF
0P0	GG	Gj	0P0
Yi	GH	Gj	iQG
U0S	GI	Gi	iQG

Packaging Mechanical: 48-Pin TSSOP (A)



Ordering Information

Ordering Code	Package Code	Package Description
PI3USB40A	A	48-pin 240 mil wide plastic TSSOP
PI3USB40AE	A	Pb-free & Green, 48-pin 240 mil wide plastic TSSOP

Notes:

- Thermal characteristics can be found on the company web site at www.pericom.com/packaging/