



DTA123J

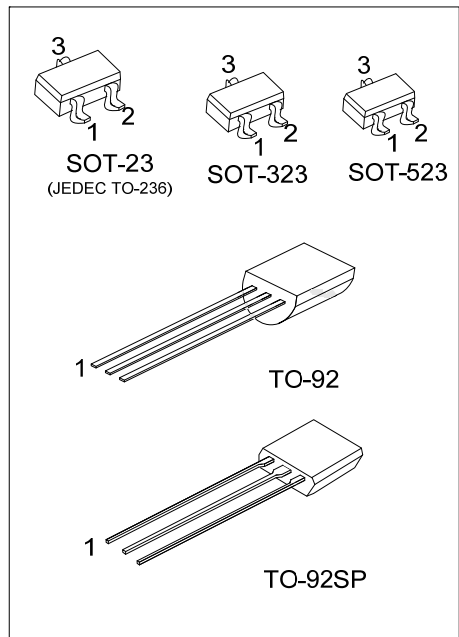
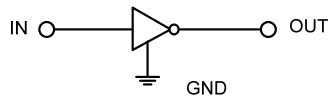
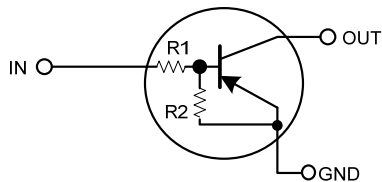
PNP SILICON TRANSISTOR

DIGITAL TRANSISTORS (BUILT-IN BIAS RESISTORS)

■ FEATURES

- * Built-in bias resistors that implies easy ON/OFF applications.
- * The bias resistors are thin-film resistors with complete isolation to allow positive input.

■ EQUIVALENT CIRCUIT



■ ORDERING INFORMATION

Ordering Number		Package	Pin Assignment			Packing
Lead Free	Halogen Free		1	2	3	
DTA123JL-AE3-R	DTA123JG-AE3-R	SOT-23	I	G	O	Tape Reel
DTA123JL-AL3-R	DTA123JG-AL3-R	SOT-323	I	G	O	Tape Reel
DTA123JL-AN3-R	DTA123JG-AN3-R	SOT-523	I	G	O	Tape Reel
DTA123JL-T92-B	DTA123JG-T92-B	TO-92	G	O	I	Tape Box
DTA123JL-T92-K	DTA123JG-T92-K	TO-92	G	O	I	Bulk
DTA123JL-T9S-B	DTA123JG-T9S-B	TO-92SP	G	O	I	Tape Box
DTA123JL-T9S-K	DTA123JG-T9S-K	TO-92SP	G	O	I	Bulk

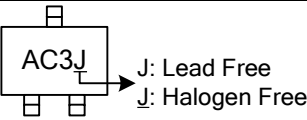
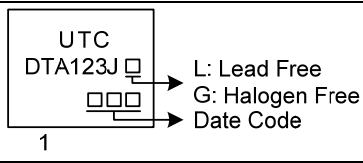
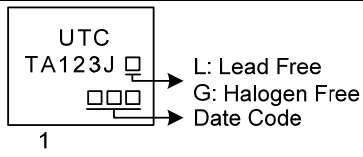
Note: Pin assignment: I: IN G: GND O: OUT

<p>DTA123JG-AE3-R</p> <p>(1)Packing Type</p> <p>(2)Package Type</p> <p>(3)Green Package</p>	<p>(1) R: Tape Reel, B: Tape Box, T: Tube, K: Bulk</p> <p>(2) AE3: SOT-23, AL3: SOT-323, AN3: SOT-523, T92: TO-92, T9S: TO-92SP</p> <p>(3) G: Halogen Free and Lead Free, L: Lead Free</p>
---------------------------------------------------------------------------------------------	--------------------------------------------------------------------------------------------------------------------------------------------------------------------------------------------

DTA123J

PNP SILICON TRANSISTOR

MARKING

PACKAGE	MARKING
SOT-23 SOT-323 SOT-523	
TO-92	
TO-92SP	

■ ABSOLUTE MAXIMUM RATINGS ($T_A=25^\circ\text{C}$, unless otherwise specified)

PARAMETER		SYMBOL	RATINGS	UNIT
Supply Voltage		V_{CC}	50	V
Input Voltage		V_{IN}	-12 ~ +5	V
Output Current		I_O	-100	mA
		$I_{C(MAX)}$	-100	
Power Dissipation	SOT-23/SOT-323	P_D	200	mW
	SOT-523		150	
	TO-92		625	
	TO-92SP		550	
Junction Temperature		T_J	+150	$^\circ\text{C}$
Storage Temperature		T_{STG}	-55 ~ +150	$^\circ\text{C}$

Note: Absolute maximum ratings are those values beyond which the device could be permanently damaged. Absolute maximum ratings are stress ratings only and functional device operation is not implied.

■ ELECTRICAL CHARACTERISTICS ($T_A=25^\circ\text{C}$, unless otherwise specified)

PARAMETER	SYMBOL	TEST CONDITIONS	MIN	TYP	MAX	UNIT
Input Voltage	$V_{I(OFF)}$	$V_{CC}=-5V, I_O=-100\mu\text{A}$			-0.5	V
	$V_{I(ON)}$	$V_O=-0.3V, I_O=-5\text{mA}$	-1.1			
Output Voltage	$V_{O(ON)}$	$I_O/I_I=-5\text{mA}/-0.25\text{mA}$		-0.1	-0.3	V
Input Current	I_I	$V_I=-5V$			-3.6	mA
Output Current	$I_{O(OFF)}$	$V_{CC}=-50V, V_I=0V$			-0.5	μA
DC Current Gain	G_I	$V_O=-5V, I_O=-10\text{mA}$	80			
Input Resistance	R_1		1.54	2.2	2.86	K Ω
Resistance Ratio	R_2/R_1		17	21	26	
Transition Frequency	f_T	$V_{CE}=-10V, I_E=-5\text{mA}, f=100\text{MHz}$ (Note)		250		MHz

Note: Transition frequency of the device

UTC assumes no responsibility for equipment failures that result from using products at values that exceed, even momentarily, rated values (such as maximum ratings, operating condition ranges, or other parameters) listed in products specifications of any and all UTC products described or contained herein. UTC products are not designed for use in life support appliances, devices or systems where malfunction of these products can be reasonably expected to result in personal injury. Reproduction in whole or in part is prohibited without the prior written consent of the copyright owner. UTC reserves the right to make changes to information published in this document, including without limitation specifications and product descriptions, at any time and without notice. This document supersedes and replaces all information supplied prior to the publication hereof.