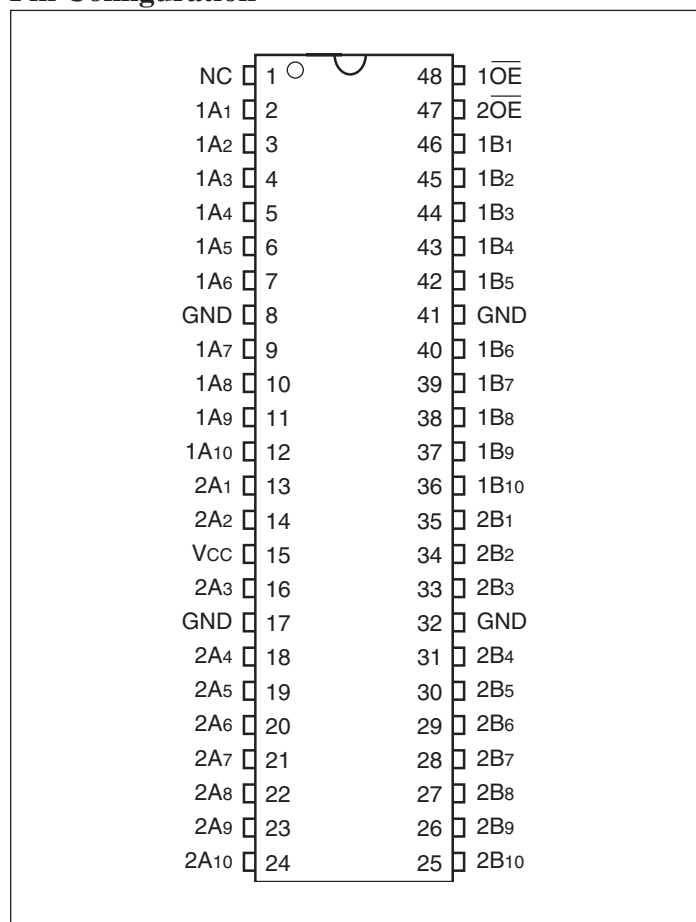
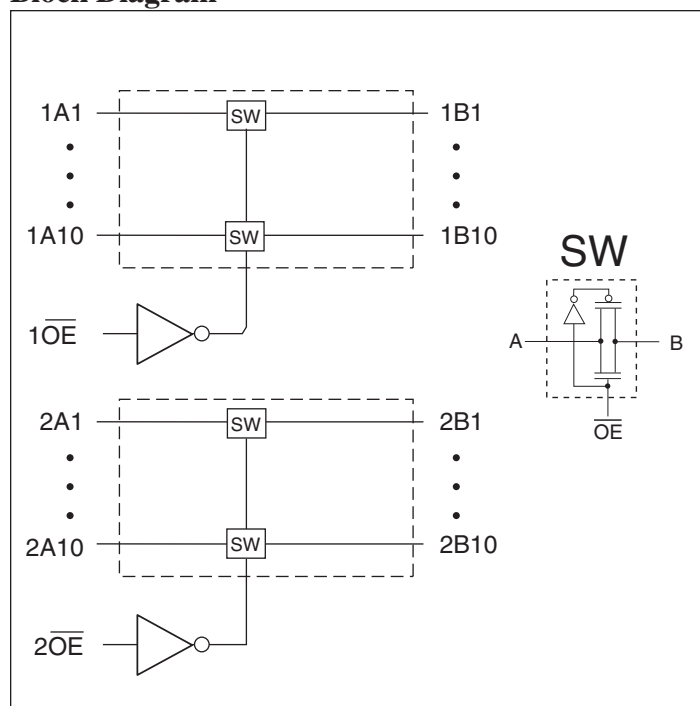


Features

- Near-Zero propagation delay
- 5-ohm switches connect inputs to outputs
- Fast Switching Speed: 4.5ns (max.)
- Flow-through pinout
- VCC Operating Range: 3.0V to 3.6V
- Industrial operating temperature: -40°C to +85°C
- Packaging (Pb-free & Green available):
 - 48-pin 150-mil wide plastic BQSOP (B)
 - 48-pin 240-mil wide plastic TSSOP (A)
 - 48-pin 300-mil wide plastic SSOP (V)

Description

Pericom Semiconductor's PI3B16210 is configured as a 3.3 volt 20-bit, 2-port bus switch designed with a low On-Resistance (5-ohms) allowing inputs to be connected directly to outputs. The bus switch creates no additional propagational delay or additional ground bounce noise. Switches are turned ON by the Bus Enable (xOE) input signal.

Pin Configuration

Block Diagram

Truth Table⁽¹⁾

Inputs		Inputs/Outputs	
1OE	2OE	1A,1B	2A,2B
L	L	1A = 1B	2A = 2B
L	H	1A = 1B	Z
H	L	Z	2A = 2B
H	H	Z	Z

Pin Description

Pin Name	Description
1OE, 2OE	Bus Enable Inputs (Active LOW)
1A1 - 1A10, 2A1 - 2A10	Bus A
1B1 - 1B10, 2B1 - 2B10	Bus B
NC	No Connect – Do Not Connect

Note:

1. H = High Voltage Level
 2. L = Low Voltage Level
- Hi-Z = High Impedance

Maximum Ratings

(Above which the useful life may be impaired. For user guidelines, not tested.)

Storage Temperature	-65°C to +150°C
Ambient Temperature with Power Applied	0°C to +85°C
Supply Voltage Range	-0.5V to +4.6V
DC Input Voltage	-0.5V to +4.6V
DC Output Current.....	120mA
Power Dissipation	0.5W

Note:

Stresses greater than those listed under MAXIMUM RATINGS may cause permanent damage to the device. This is a stress rating only and functional operation of the device at these or any of the other conditions above those indicated in the operational sections of this specification is not implied. Exposure to absolute maximum rating conditions for extended periods may affect reliability.

DC Electrical Characteristics (Over the operating range, $T_A = -40^\circ\text{C}$ to 85°C , $V_{CC} = 3.0\text{V}$ to 3.6V)

Parameters	Description	Test Conditions ⁽¹⁾	Min	Typ ⁽²⁾	Max.	Units
V_{IH}	Input HIGH Voltage	Guaranteed Logic HIGH Level	2.0			V
V_{IL}	Input LOW Voltage	Guaranteed Logic LOW Level	-0.5		0.8	
I_I	Input Current	$V_{CC} = \text{Max}, V_{IN} = V_{CC}$ or GND			± 1	μA
		$V_{CC} = 0\text{V}, V_{IN} = V_{CC}$			± 1	
I_{OZ}	High Impedance Output Current	$0 \leq A, B \leq V_{CC}$			± 1	
V_{IK}	Clamp Diode Voltage	$V_{CC} = \text{Min.}, I_{IN} = -18\text{mA}$		-0.7	-1.2	V
R_{ON}	Switch ON Resistance ⁽³⁾	$V_{CC} = 3\text{V}, V_{IN} = 0.0\text{V}$ $I_{ON} = 24\text{mA}, 64\text{mA}$		5	8	Ω
		$V_{CC} = 3\text{V}, V_{IN} = 2.4\text{V}, I_{ON} = 15\text{mA}$		10	15	

Note:

- For Max. or Min. conditions, use appropriate value specified under Electrical Characteristics for the applicable device type.
- Typical values are at $V_{CC} = 3.3\text{V}$, $T_A = 25^\circ\text{C}$ ambient and maximum loading.
- Measured by the voltage drop between A and B pin at indicated current through the switch. On-Resistance is determined by the lower of the voltages on the two (A,B) pins.

Capacitance ($T_A = 25^\circ\text{C}$, $f = 1\text{ MHz}$)

Parameters	Description	Test Conditions ⁽¹⁾	Typ	Units
C_{IN}	Input Capacitance	$V_{IN} = 0\text{V}$	3	pF
C_{OFF}	A/B Capacitance, Switch Off		8.5	
C_{ON}	A/B Capacitance, Switch On		17.0	

Note:

- This parameter is determined by device characterization but is not production tested.

Power Supply Characteristics

Parameters	Description	Test Conditions ⁽¹⁾		Min.	Typ ⁽²⁾	Max.	Units
I _{CC}	Quiescent Power Supply Current	V _{CC} = Max.	V _{IN} = GND or V _{CC}			10	uA
ΔI _{CC}	Supply Current per Input @ TTL HIGH	V _{CC} = Max.	V _{IN} = 3.0V ⁽³⁾			750	uA
I _{CCD}	Supply Current per Input per MHz ⁽⁴⁾	V _{CC} = Max. A & B Pins Open x $\overline{\text{OE}}$ = GND Control Input Toggling 50% Duty Cycle				0.25	mA/ MHz

Notes:

1. For Max. or Min. conditions, use appropriate value specified under Electrical Characteristics for the applicable device.
2. Typical values are at V_{CC} = 3.3V, +25°C ambient.
3. Per TTL driven input (control inputs only); A and B pins do not contribute to I_{CC}.
4. This current applies to the control inputs only and represent the current required to switch internal capacitance at the specified frequency. The A and B inputs generate no significant AC or Dc currents as they transition. This parameter is not tested, but is guaranteed by design.

Switching Characteristics over Operating Range

Parameters	Description	Conditions	Com.		Units
			Min.	Max.	
t _{PLH} t _{PHL}	Propagation Delay ^(1, 2) Ax to Bx or Bx to Ax	C _L = 50pF R _L = 500Ω		0.25	ns
t _{PZH} t _{PZL}	Bus Enable Time x $\overline{\text{OE}}$ to Ax or Bx	C _L = 50pF R _L = 500Ω	1	4.5	
t _{PHZ} t _{PLZ}	Bus Disable Time x $\overline{\text{OE}}$ to Ax or Bx	R = 500Ω	1	5.0	

Notes:

1. This parameter is guaranteed but not tested on Propagation Delays.
2. The bus switch contributes no propagational delay other than the On-Resistance of the switch and load capacitance. The time constant for the switch alone is of the order of 0.25ns for 50pF load. Since this time constant is much smaller than the rise/fall times of typical driving signals, it adds very little propagational delay to the system. Propagational delay of the bus switch when used in a system is determined by the driving circuit on the driving side of the switch and its interaction with the load on the driven side.

Applications Information
Logic Inputs

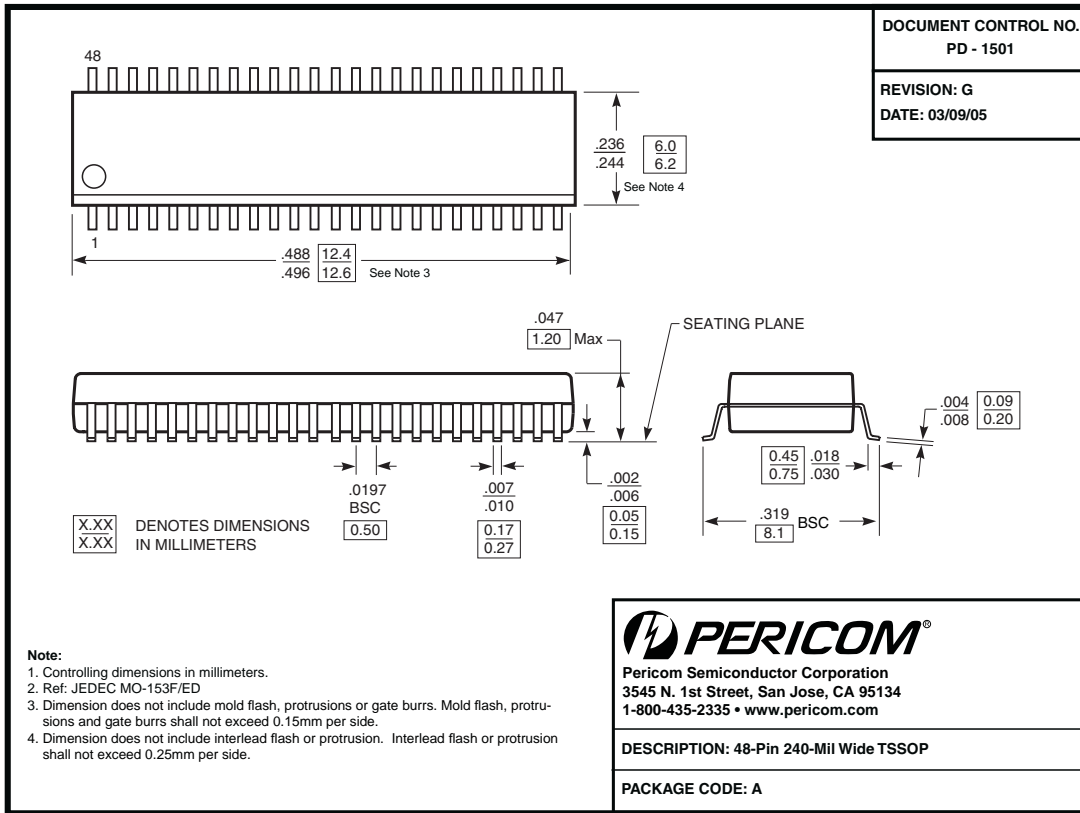
The logic control inputs can be driven up to +3.6V regardless of the supply voltage. For example, given a +3.3V supply, IN may be driven low to 0V and high to 3.6V. Driving IN Rail-to-Rail[®] minimizes power consumption.

Power-Supply Sequencing and Hot-Plug Information

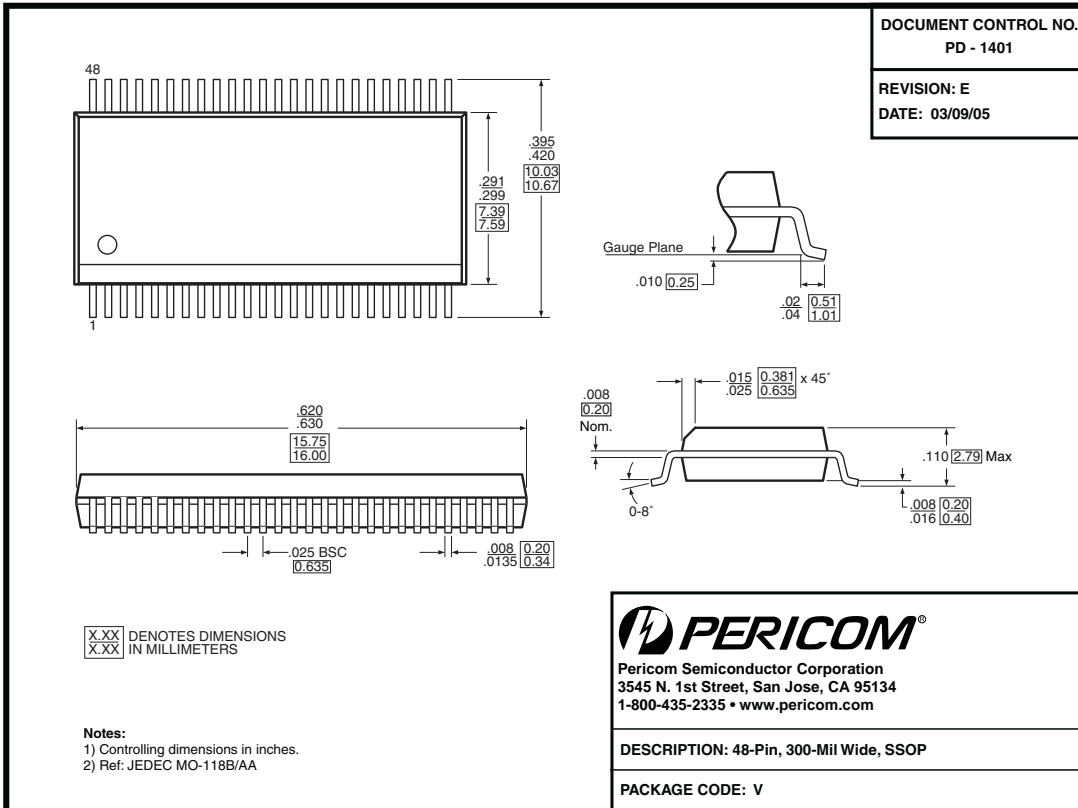
Proper power-supply sequencing is recommended for all CMOS devices. Always apply V_{CC} and GND before applying signals to input/output or control pins.

Rail-to-Rail is a registered trademark of Nippon Motorola, Ltd

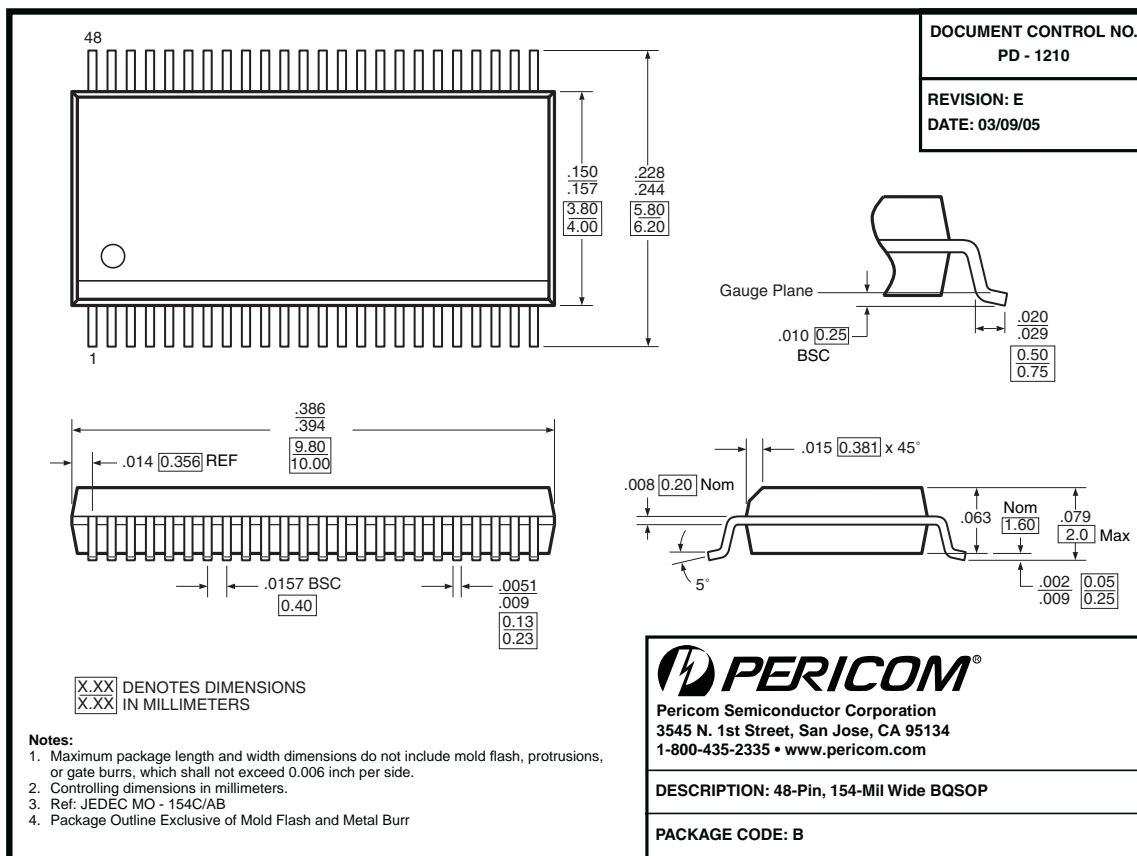
Packaging Mechanical: 48-Pin TSSOP (A)



Packaging Mechanical: 48-Pin SSOP (V)



Packaging Mechanical: 48-Pin BQSOP (B)



Ordering Information

Ordering Code	Package Code	Package Description
PI3B16210A	A	48-Pin TSSOP
PI3B16210AE	A	Pb-free & Green, 48-pin TSSOP
PI3B16210V	V	48-pin SSOP
PI3B16210B	B	48-pin BQSOP

Notes:

- Thermal characteristics can be found on the company web site at www.pericom.com/packaging/
- E = Pb-free and Green
- Adding an X suffix = Tape/Reel