

T-46-07-11



# 74ACQ533 • 54ACTQ/74ACTQ533

## Quiet Series Octal Transparent Latch

### with TRI-STATE® Outputs

### General Description

The 'ACQ/'ACTQ533 consists of eight latches with TRI-STATE outputs for bus organized system applications. The flip-flops appear transparent to the data when Latch Enable (LE) is HIGH. When LE is low, the data satisfying the input timing requirements is latched. Data appears on the bus when the Output Enable (OE) is LOW. When OE is HIGH, the bus output is in the high impedance state.

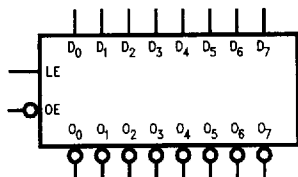
The 'ACQ/'ACTQ533 utilizes NSC Quiet Series technology to guarantee quiet output switching and improve dynamic threshold performance. FACT Quiet Series™ features GTO™ output control and undershoot corrector in addition to a split ground bus for superior performance.

### Features

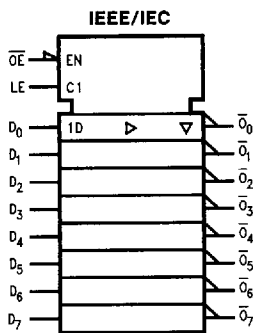
- I<sub>CC</sub> and I<sub>OZ</sub> reduced by 50%
- Guaranteed simultaneous switching noise level and dynamic threshold performance
- Guaranteed pin-to-pin skew AC performance
- Improved latch up immunity
- Eight latches in a single package
- TRI-STATE outputs drive bus lines or buffer memory address registers
- Outputs source/sink 24 mA
- Inverted version of the 'ACQ/'ACTQ373
- 4 kV minimum ESD immunity
- Standard Military Drawing (SMD)
  - 'ACTQ533: 5962-92919

**Ordering Code:** See Section 8

### Logic Symbols



TL/F/10630-1

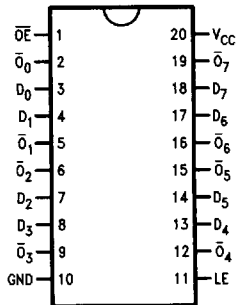


TL/F/10630-2

Pin Names	Description
D <sub>0</sub> -D <sub>7</sub>	Data Inputs
LE	Latch Enable Input
$\overline{OE}$	Output Enable Input
$\overline{O_0}$ - $\overline{O_7}$	TRI-STATE Latch Outputs

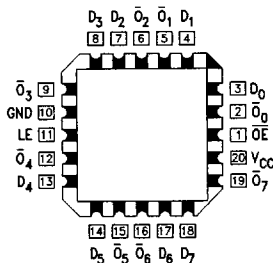
### Connection Diagrams

Pin Assignment for DIP, Flatpak and SOIC



TL/F/10630-3

Pin Assignment for LCC



TL/F/10630-4

Q533

### Functional Description

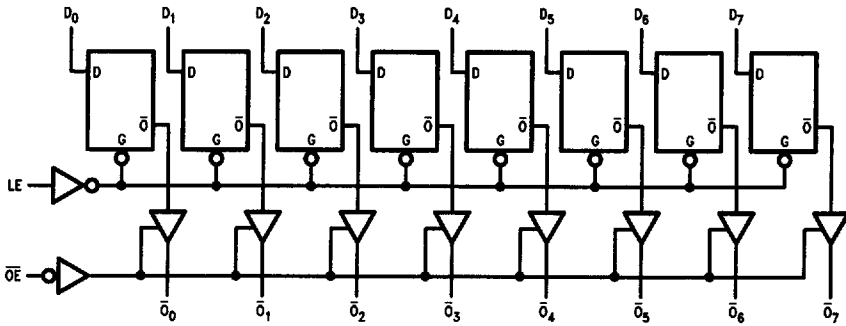
The 'ACQ/'ACTQ533 contains eight D-type latches with TRI-STATE standard outputs. When the Latch Enable (LE) input is HIGH, data on the  $D_n$  inputs enters the latches. In this condition the latches are transparent, i.e., a latch output will change state each time its D input changes. When LE is LOW, the latches store the information that was present on the D inputs a setup time preceding the HIGH-to-LOW transition of LE. The TRI-STATE standard outputs are controlled by the Output Enable ( $\overline{OE}$ ) input. When  $\overline{OE}$  is LOW, the standard outputs are in the 2-state mode. When  $\overline{OE}$  is HIGH, the standard outputs are in the high impedance mode but this does not interfere with entering new data into the latches.

### Truth Table

Inputs			Outputs
LE	$\overline{OE}$	$D_n$	$\overline{O}_n$
X	H	X	Z
H	L	L	H
H	L	H	L
L	L	X	$\overline{O}_0$

H = HIGH Voltage Level  
 L = LOW Voltage Level  
 Z = High Impedance  
 X = Immaterial  
 $\overline{O}_0$  = Previous  $\overline{O}_0$  before HIGH to Low transition of Latch Enable

### Logic Diagram



TL/F/10630-5

Please note that this diagram is provided only for the understanding of logic operations and should not be used to estimate propagation delays.

### Absolute Maximum Rating (Note 1)

If Military/Aerospace specified devices are required, please contact the National Semiconductor Sales Office/Distributors for availability and specifications.

Supply Voltage (V <sub>CC</sub> )	-0.5V to +7.0V
DC Input Diode Current (I <sub>IK</sub> )	
V <sub>I</sub> = -0.5V	-20 mA
V <sub>I</sub> = V <sub>CC</sub> + 0.5V	+20 mA
DC Input Voltage (V <sub>I</sub> )	-0.5V to V <sub>CC</sub> + 0.5V
DC Output Diode Current (I <sub>OK</sub> )	
V <sub>O</sub> = -0.5V	-20 mA
V <sub>O</sub> = V <sub>CC</sub> + 0.5V	+20 mA
DC Output Voltage (V <sub>O</sub> )	-0.5V to V <sub>CC</sub> + 0.5V
DC Output Source or Sink Current (I <sub>O</sub> )	±50 mA
DC V <sub>CC</sub> or Ground Current per Output Pin (I <sub>CC</sub> or I <sub>GND</sub> )	±50 mA
Storage Temperature (T <sub>STG</sub> )	-65°C to +150°C
DC Latchup Source or Sink Current	±300 mA
Junction Temperature (T <sub>J</sub> )	
CDIP	175°C
PDIP	140°C

**Note 1:** Absolute maximum ratings are those values beyond which damage to the device may occur. The databook specifications should be met, without exception, to ensure that the system design is reliable over its power supply, temperature, and output/input loading variables. National does not recommend operation of FACT™ circuits outside databook specifications

### Recommended Operating Conditions

Supply Voltage (V <sub>CC</sub> )	
'ACQ	2.0V to 6.0V
'ACTQ	4.5V to 5.5V
Input Voltage (V <sub>I</sub> )	0V to V <sub>CC</sub>
Output Voltage (V <sub>O</sub> )	0V to V <sub>CC</sub>
Operating Temperature (T <sub>A</sub> )	
74ACQ/ACTQ	-40°C to +85°C
54ACTQ	-55°C to +125°C
Minimum Input Edge Rate ΔV/Δt	
'ACQ Devices	
V <sub>IN</sub> from 30% to 70% of V <sub>CC</sub>	
V <sub>CC</sub> @ 3.0V, 4.5V, 5.5V	125 mV/ns
Minimum Input Edge Rate ΔV/Δt	
'ACTQ Devices	
V <sub>IN</sub> from 0.8V to 2.0V	
V <sub>CC</sub> @ 4.5V, 5.5V	125 mV/ns

**Note:** All commercial packaging is not recommended for applications requiring greater than 2000 temperature cycles from -40°C to +125°C.

### DC Characteristics for 'ACQ Family Devices

Symbol	Parameter	V <sub>CC</sub> (V)	74ACQ		74AQC		Units	Conditions	
			T <sub>A</sub> = +25°C		T <sub>A</sub> = -40°C to +85°C				
			Typ	Guaranteed Limits					
V <sub>IH</sub>	Minimum High Level Input Voltage	3.0	1.5	2.1	2.1		V	V <sub>OUT</sub> = 0.1V or V <sub>CC</sub> - 0.1V	
		4.5	2.25	3.15	3.15				
		5.5	2.75	3.85	3.85				
V <sub>IL</sub>	Maximum Low Level Input Voltage	3.0	1.5	0.9	0.9		V	V <sub>OUT</sub> = 0.1V or V <sub>CC</sub> - 0.1V	
		4.5	2.25	1.35	1.35				
		5.5	2.75	1.65	1.65				
V <sub>OH</sub>	Minimum High Level Output Voltage	3.0	2.99	2.9	2.9		V	I <sub>OUT</sub> = -50 μA	
		4.5	4.49	4.4	4.4				
		5.5	5.49	5.4	5.4				
			3.0		2.56	2.46		V	*V <sub>IN</sub> = V <sub>IL</sub> or V <sub>IH</sub> -12 mA I <sub>OH</sub> -24 mA -24 mA
			4.5		3.86	3.76			
			5.5		4.86	4.76			
V <sub>OL</sub>	Maximum Low Level Output Voltage	3.0	0.002	0.1	0.1		V	I <sub>OUT</sub> = 50 μA	
		4.5	0.001	0.1	0.1				
		5.5	0.001	0.1	0.1				
			3.0		0.36	0.44		V	*V <sub>IN</sub> = V <sub>IL</sub> or V <sub>IH</sub> 12 mA I <sub>OL</sub> 24 mA 24 mA
			4.5		0.36	0.44			
			5.5		0.36	0.44			
I <sub>IN</sub>	Maximum Input Leakage Current	5.5		±0.1	±1.0		μA	V <sub>I</sub> = V <sub>CC</sub> , GND (Note 1)	

\*All outputs loaded; thresholds on input associated with output under test.

Q533

### DC Characteristics for 'ACQ Family Devices (Continued)

Symbol	Parameter	V <sub>CC</sub> (V)	74ACQ		74ACQ		Units	Conditions
			T <sub>A</sub> = +25°C		T <sub>A</sub> = -40°C to +85°C			
			Typ	Guaranteed Limits				
I <sub>OLD</sub>	†Minimum Dynamic Output Current	5.5			75		mA	V <sub>OLD</sub> = 1.65V Max
I <sub>OHD</sub>		5.5			-75		mA	V <sub>OHD</sub> = 3.85V Min
I <sub>CC</sub>	Maximum Quiescent Supply Current	5.5		4.0	40.0		μA	V <sub>IN</sub> = V <sub>CC</sub> or GND (Note 1)
I <sub>OZ</sub>	Maximum TRI-STATE Leakage Current	5.5		±0.25	±2.5		μA	V <sub>I(OE)</sub> = V <sub>IL</sub> , V <sub>IH</sub> V <sub>I</sub> = V <sub>CC</sub> , GND V <sub>O</sub> = V <sub>CC</sub> , GND
V <sub>OLP</sub>	Quiet Output Maximum Dynamic V <sub>OL</sub>	5.0	1.1	1.5			V	Figures 2-12, 13 (Notes 2, 3)
V <sub>OLV</sub>	Quiet Output Minimum Dynamic V <sub>OL</sub>	5.0	-0.6	-1.2			V	Figures 2-12, 13 (Notes 2, 3)
V <sub>IHD</sub>	Minimum High Level Dynamic Input Voltage	5.0	3.1	3.5			V	(Notes 2, 4)
V <sub>ILD</sub>	Maximum Low Level Dynamic Input Voltage	5.0	1.9	1.5			V	(Notes 2, 4)

†Maximum test duration 2.0 ms, one output loaded at a time.

Note 1: I<sub>IN</sub> and I<sub>CC</sub> @ 3.0V are guaranteed to be less than or equal to the respective limit @ 5.5V V<sub>CC</sub>

Note 2: Plastic DIP package.

Note 3: Max number of outputs defined as (n) Data inputs are driven 0V to 5V One output @ GND.

Note 4: Max number of data inputs (n) switching. (n-1) inputs switching 0V to 5V ('ACQ). Input-under-test switching. 5V to threshold (V<sub>ILD</sub>), 0V to threshold (V<sub>IHD</sub>). f = 1 MHz

### DC Characteristics for 'ACTQ Family Devices

Symbol	Parameter	V <sub>CC</sub> (V)	74ACTQ		54ACTQ		74ACTQ		Units	Conditions
			T <sub>A</sub> = +25°C		T <sub>A</sub> = -55°C to +125°C		T <sub>A</sub> = -40°C to +85°C			
			Typ	Guaranteed Limits						
V <sub>IH</sub>	Minimum High Level Input Voltage	4.5	1.5	2.0	2.0		2.0		V	V <sub>OUT</sub> = 0.1V or V <sub>CC</sub> - 0.1V
		5.5	1.5	2.0	2.0		2.0			
V <sub>IL</sub>	Maximum Low Level Input Voltage	4.5	1.5	0.8	0.8		0.8		V	V <sub>OUT</sub> = 0.1V or V <sub>CC</sub> - 0.1V
		5.5	1.5	0.8	0.8		0.8			
V <sub>OH</sub>	Minimum High Level Output Voltage	4.5	4.49	4.4	4.4		4.4		V	I <sub>OUT</sub> = -50 μA
		5.5	5.49	5.4	5.4		5.4			
		4.5		3.86	3.70		3.76		V	*V <sub>IN</sub> = V <sub>IL</sub> or V <sub>IH</sub> I <sub>OH</sub> = -24 mA -24 mA
		5.5		4.86	4.70		4.76			
V <sub>OL</sub>	Maximum Low Level Output Voltage	4.5	0.001	0.1	0.1		0.1		V	I <sub>OUT</sub> = 50 μA
		5.5	0.001	0.1	0.1		0.1			
		4.5		0.36	0.50		0.44		V	*V <sub>IN</sub> = V <sub>IL</sub> or V <sub>IH</sub> I <sub>OL</sub> = 24 mA 24 mA
		5.5		0.36	0.50		0.44			
I <sub>IN</sub>	Maximum Input Leakage Current	5.5		±0.1	±1.0		±1.0		μA	V <sub>I</sub> = V <sub>CC</sub> , GND
I <sub>OZ</sub>	Maximum TRI-STATE Leakage Current	5.5		±0.25	±5.0		±2.5		μA	V <sub>I</sub> = V <sub>IL</sub> , V <sub>IH</sub> V <sub>O</sub> = V <sub>CC</sub> , GND

\*All outputs loaded; thresholds on input associated with output under test.

0533

**DC Characteristics for 'ACTQ Family Devices** (Continued)

Symbol	Parameter	V <sub>CC</sub> (V)	74ACTQ		54ACTQ		74ACTQ		Units	Conditions
			T <sub>A</sub> = +25°C		T <sub>A</sub> = -55°C to +125°C		T <sub>A</sub> = -40°C to +85°C			
			Typ	Guaranteed Limits						
I <sub>CC</sub>	Maximum I <sub>CC</sub> /Input	5.5	0.6		1.6		1.5		mA	V <sub>I</sub> = V <sub>CC</sub> - 2.1V
I <sub>OLD</sub>	†Minimum Dynamic Output Current	5.5			50		75		mA	V <sub>OLD</sub> = 1.65V Max
I <sub>OHD</sub>		5.5			-50		-75		mA	V <sub>OHD</sub> = 3.85V Min
I <sub>CC</sub>	Maximum Quiescent Supply Current	5.5		4.0	80.0		40.0		µA	V <sub>IN</sub> = V <sub>CC</sub> or GND (Note 1)
V <sub>OLP</sub>	Quiet Output Maximum Dynamic V <sub>OL</sub>	5.0	1.1	1.5					V	Figures 2-12, 13 (Notes 2, 3)
V <sub>OLV</sub>	Quiet Output Minimum Dynamic V <sub>OL</sub>	5.0	-0.6	-1.2					V	Figures 2-12, 13 (Notes 2, 3)
V <sub>IHD</sub>	Minimum High Level Dynamic Input Voltage	5.0	1.9	2.2					V	(Notes 2, 4)
V <sub>ILD</sub>	Maximum Low Level Dynamic Input Voltage	5.0	1.2	0.8					V	(Notes 2, 4)

†Maximum test duration 2.0 ms, one output loaded at a time

Note 1: I<sub>CC</sub> for 54ACTQ @ 25°C is identical to 74ACTQ @ 25°C.

Note 2: Plastic DIP package

Note 3: Max number of outputs defined as (n) Data inputs are driven 0V to 3V One output @ GND.

Note 4: Max number of data inputs (n) switching. (n-1) inputs switching 0V to 3V ('ACTQ). Input-under-test switching: 3V to threshold (V<sub>ILD</sub>), 0V to threshold (V<sub>IHD</sub>). f = 1 MHz

**AC Electrical Characteristics:** See Section 2 for Waveforms

Symbol	Parameter	V <sub>CC</sub> * (V)	74ACQ			74ACQ		Units	Fig. No.
			T <sub>A</sub> = +25°C C <sub>L</sub> = 50 pF			T <sub>A</sub> = -40°C to +85°C C <sub>L</sub> = 50 pF			
			Min	Typ	Max	Min	Max		
t <sub>PHL</sub> , t <sub>PLH</sub>	Propagation Delay D <sub>n</sub> to O <sub>n</sub>	3.3 5.0	2.5 1.5	8.5 5.5	11.5 7.5	2.5 1.5	12.0 8.0	ns	2-3, 4
t <sub>PHL</sub> , t <sub>PLH</sub>	Propagation Delay LE to O <sub>n</sub>	3.3 5.0	2.5 2.0	2.5 6.0	13.0 8.5	2.5 2.0	13.5 9.0	ns	2-3, 4
t <sub>PZL</sub> , t <sub>PZH</sub>	Output Enable Time	3.3 5.0	2.5 1.5	8.5 6.0	13.0 8.5	2.5 1.5	13.5 9.0	ns	2-5, 6
t <sub>PHZ</sub> , t <sub>PLZ</sub>	Output Disable Time	3.3 5.0	1.0 1.0	9.0 6.5	14.5 9.5	1.0 1.0	15.0 10.0	ns	2-5, 6
t <sub>OSHL</sub> , t <sub>OSLH</sub>	Output to Output Skew** D <sub>n</sub> to O <sub>n</sub>	3.3 5.0		1.0 0.5	1.5 1.0		1.5 1.0	ns	

\*Voltage Range 5.0 is 5.0V ±0.5V  
Voltage Range 3.3 is 3.3V ±0.3V

\*\*Skew is defined as the absolute value of the difference between the actual propagation delay for any two separate outputs of the same device. The specification applies to any outputs switching in the same direction, either HIGH to LOW (t<sub>OSHL</sub>) or LOW to HIGH (t<sub>OSLH</sub>). Parameter guaranteed by design.

5

0533

**AC Operating Requirements:** See Section 2 for Waveforms

Symbol	Parameter	V <sub>CC</sub> * (V)	74ACQ		74ACQ		Units	Fig. No.
			T <sub>A</sub> = +25°C C <sub>L</sub> = 50 pF		T <sub>A</sub> = -40°C to +85°C C <sub>L</sub> = 50 pF			
			Typ	Guaranteed Minimum				
t <sub>s</sub>	Setup Time, HIGH or LOW D <sub>n</sub> to LE	3.3 5.0	0	3.0	3.0	3.0	ns	2-7
			0	3.0	3.0	3.0		
t <sub>H</sub>	Hold Time, HIGH or LOW D <sub>n</sub> to LE	3.3 5.0	0	1.5	1.5	1.5	ns	2-7
			0	1.5	1.5	1.5		
t <sub>w</sub>	LE Pulse Width, HIGH	3.3 5.0	2.0	4.0	4.0	4.0	ns	2-4
			2.0	4.0	4.0	4.0		

\*Voltage Range 5.0 is 5.0V ±0.5V.  
Voltage Range 3.3 is 3.3V ±0.3V.

**AC Electrical Characteristics:** See Section 2 for Waveforms

Symbol	Parameter	V <sub>CC</sub> * (V)	74ACTQ			54ACTQ		74ACTQ		Units	Fig. No.
			T <sub>A</sub> = +25°C C <sub>L</sub> = 50 pF			T <sub>A</sub> = -55°C to +125°C C <sub>L</sub> = 50 pF		T <sub>A</sub> = -40°C to +85°C C <sub>L</sub> = 50 pF			
			Min	Typ	Max	Min	Max	Min	Max		
t <sub>PHL</sub> , t <sub>PLH</sub>	Propagation Delay D <sub>n</sub> to O <sub>n</sub>	5.0	2.0	6.0	8.0	1.5	9.0	2.0	8.5	ns	2-3, 4
t <sub>PHL</sub> , t <sub>PLH</sub>	Propagation Delay LE to O <sub>n</sub>	5.0	2.5	7.0	9.0	1.5	10.5	2.5	9.5	ns	2-3, 4
t <sub>PZL</sub> , t <sub>PZH</sub>	Output Enable Time	5.0	2.0	7.0	9.0	1.5	10.5	2.0	9.5	ns	2-5, 6
t <sub>PHZ</sub> , t <sub>PLZ</sub>	Output Disable Time	5.0	1.0	8.0	10.0	1.5	10.5	1.0	10.5	ns	2-5, 6
t <sub>OSSL</sub> , t <sub>OSLH</sub>	Output to Output Skew** D <sub>n</sub> to O <sub>n</sub>	5.0		0.5	1.0				1.0	ns	

\*Voltage Range 5.0 is 5.0V ±0.5V.

\*\*Skew is defined as the absolute value of the difference between the actual propagation delay for any two separate outputs of the same device. The specification applies to any outputs switching in the same direction, either HIGH to LOW (t<sub>OSH</sub>) or LOW to HIGH (t<sub>OSLH</sub>). Parameter guaranteed by design.

**AC Operating Requirements:** See Section 2 for Waveforms

Symbol	Parameter	V <sub>CC</sub> * (V)	74ACTQ		54ACTQ		74ACTQ		Units	Fig. No.
			T <sub>A</sub> = +25°C C <sub>L</sub> = 50 pF		T <sub>A</sub> = -55°C to +125°C C <sub>L</sub> = 50 pF		T <sub>A</sub> = -40°C to +85°C C <sub>L</sub> = 50 pF			
			Typ	Guaranteed Minimum						
t <sub>s</sub>	Setup Time, HIGH or LOW D <sub>n</sub> to LE	5.0	0	3.0	3.0	3.0	3.0	ns	2-7	
t <sub>H</sub>	Hold Time, HIGH or LOW D <sub>n</sub> to LE	5.0	0	1.5	1.5	1.5	1.5	ns	2-7	
t <sub>w</sub>	LE Pulse Width, HIGH	5.0	2.0	4.0	5.0	4.0	4.0	ns	2-4	

\*Voltage Range 5.0 is 5.0V ±0.5V.

**Capacitance**

Symbol	Parameter	Typ	Units	Conditions
C <sub>IN</sub>	Input Capacitance	4.5	pF	V <sub>CC</sub> = OPEN
C <sub>PD</sub>	Power Dissipation Capacitance	40	pF	V <sub>CC</sub> = 5.0V