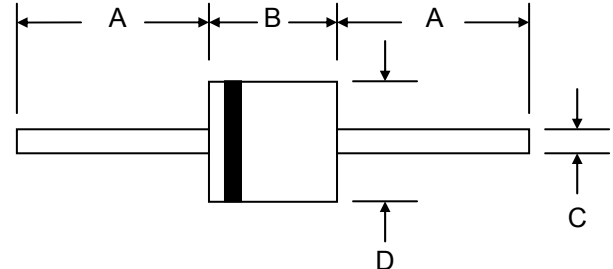


Features

- Glass Passivated Die Construction
- 5000W Peak Pulse Power Dissipation
- 5.0V – 440V Standoff Voltage
- Uni- and Bi-Directional Versions Available
- Excellent Clamping Voltage
- Typical Response Time < 1nS
- Plastic Case Material has UL Flammability Classification Rating 94V-0



Mechanical Data

- Case: P-600, Molded Plastic
- Terminals: Plated Leads Solderable per MIL-STD-202, Method 208
- Polarity: Cathode Band Except Bi-Directional
- Weight: 2.10 grams (approx.)
- Mounting Position: Any
- Marking: Type Number
- **Lead Free: For RoHS / Lead Free Version, Add "-LF" Suffix to Part Number, See Page 6**

P-600		
Dim	Min	Max
A	25.4	—
B	8.60	9.10
C	1.20	1.30
D	8.60	9.10
All Dimensions in mm		

Maximum Ratings and Electrical Characteristics @ $T_A=25^\circ\text{C}$ unless otherwise specified

Characteristic	Symbol	Value	Unit
Peak Pulse Power Dissipation on 10/1000 μs Waveform (Note 1, 2, 5)	PPPM	5000	W
Peak Pulse Current on 10/1000 μs Waveform (Note 1)	IPPM	See Table 1	A
Peak Forward Surge Current (Note 2, 3)	IFSM	400	A
Maximum Instantaneous Forward Voltage at 100A (Note 3, 4)	V_F	3.5 / 5.0	V
Power Dissipation at $T_L = 75^\circ\text{C}$ (Note 2)	P_D	8.0	W
Typical Thermal Resistance, Junction to Ambient (Note 2)	R_{JA}	40	$^\circ\text{C}/\text{W}$
Typical Thermal Resistance, Junction to Lead (Note 2)	R_{JL}	8.0	$^\circ\text{C}/\text{W}$
Operating and Storage Temperature Range	T_J, T_{STG}	-55 to +150	$^\circ\text{C}$

- Note: 1. Non-repetitive current pulse per Figure 5 and derated above $T_A = 25^\circ\text{C}$ per Figure 1.
 2. Mounted on 20 x 20 x 1.0mm thick copper pads to each terminal that maintained at a distance of 9.5mm from the case.
 3. Measured on 8.3ms single half sine-wave, duty cycle = 4 pulses per minute maximum. For uni-directional devices only.
 4. $V_F < 3.5\text{V}$ for $V_{BR} \leq 200\text{V}$ and $V_F < 5.0\text{V}$ for $V_{BR} \geq 201\text{V}$.
 5. Peak pulse power waveform is 10/1000 μs .

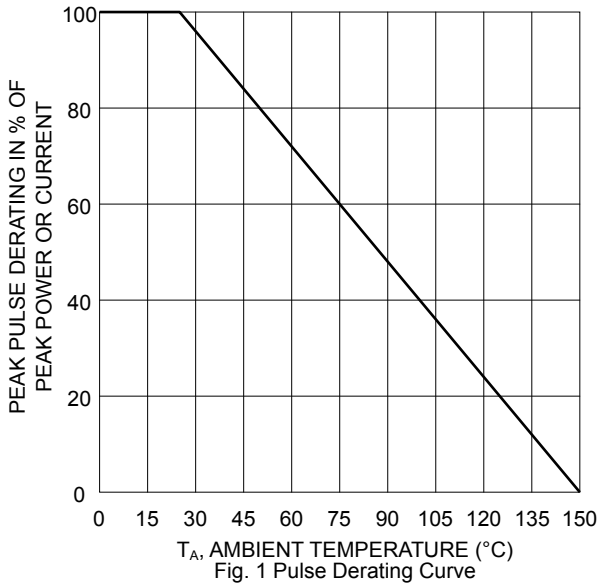


Fig. 1 Pulse Derating Curve

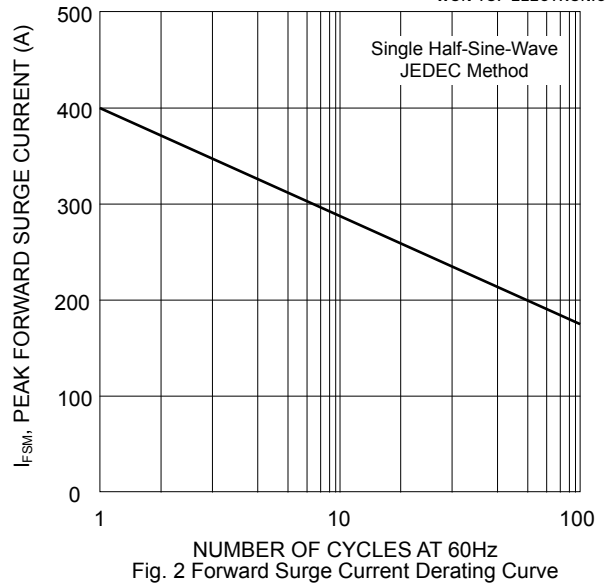


Fig. 2 Forward Surge Current Derating Curve

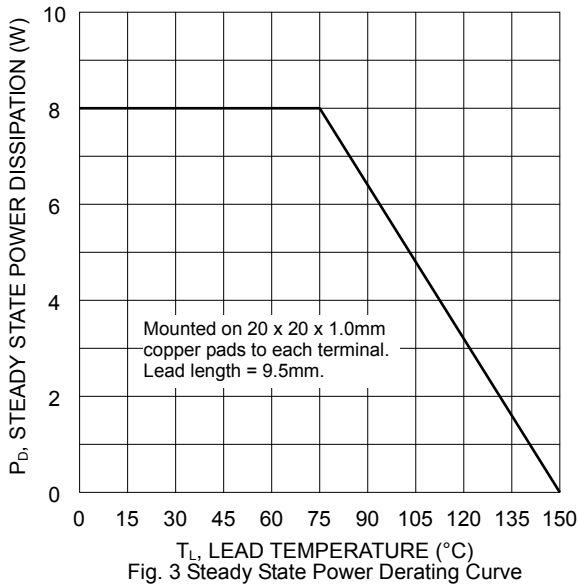


Fig. 3 Steady State Power Derating Curve

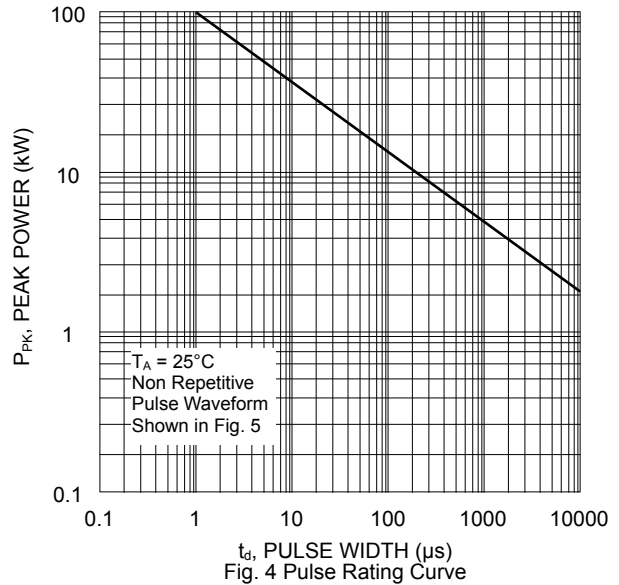


Fig. 4 Pulse Rating Curve

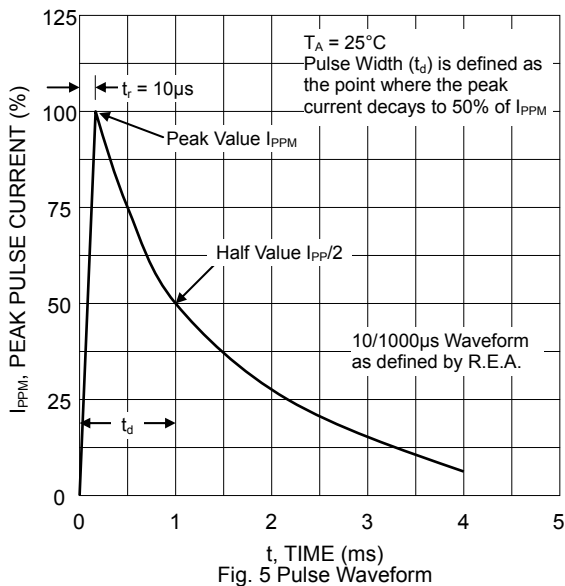


Fig. 5 Pulse Waveform

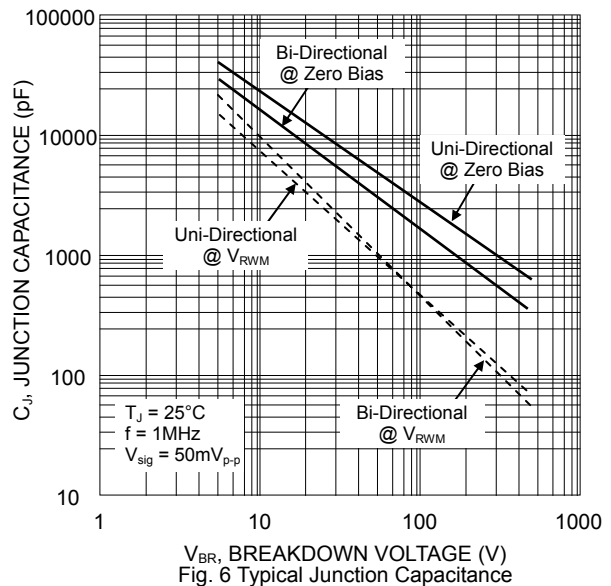


Fig. 6 Typical Junction Capacitance

Electrical Characteristics (@T_A=25°C unless otherwise specified) Table 1

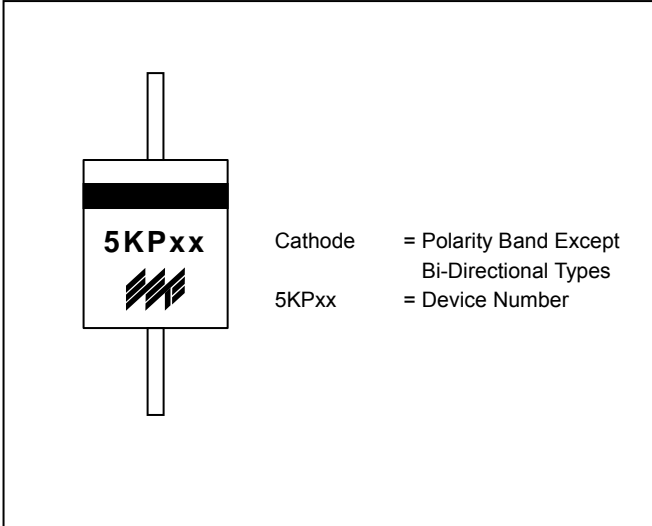
Uni-Directional Part No.	Bi-Directional Part No.	Reverse Stand-Off Voltage V _{RWM} (V)	Breakdown Voltage V _{BR} (V) @I _T		Test Current I _T (mA)	Maximum Clamping Voltage @I _{PP} V _C (V)	Peak Pulse Current I _{PP} (A)	Reverse Leakage* @V _{RWM} I _R (μA)
			Min.	Max.				
5KP5.0	5KP5.0C	5.0	6.40	7.30	50	9.6	520.83	5000
5KP5.0A	5KP5.0CA	5.0	6.40	7.00	50	9.2	543.48	5000
5KP6.0	5KP6.0C	6.0	6.67	8.15	50	11.4	438.60	5000
5KP6.0A	5KP6.0CA	6.0	6.67	7.37	50	10.3	485.44	5000
5KP6.5	5KP6.5C	6.5	7.22	8.82	50	12.3	406.50	2000
5KP6.5A	5KP6.5CA	6.5	7.22	7.98	50	11.2	446.43	2000
5KP7.0	5KP7.0C	7.0	7.78	9.51	50	13.3	375.94	1000
5KP7.0A	5KP7.0CA	7.0	7.78	8.60	50	12.0	416.67	1000
5KP7.5	5KP7.5C	7.5	8.33	10.20	5	14.3	349.65	250
5KP7.5A	5KP7.5CA	7.5	8.33	9.21	5	12.9	387.60	250
5KP8.0	5KP8.0C	8.0	8.89	10.90	5	15.0	333.33	150
5KP8.0A	5KP8.0CA	8.0	8.89	9.83	5	13.6	367.65	150
5KP8.5	5KP8.5C	8.5	9.44	11.50	5	15.9	314.47	50
5KP8.5A	5KP8.5CA	8.5	9.44	10.40	5	14.4	347.22	50
5KP9.0	5KP9.0C	9.0	10.00	12.20	5	16.9	295.86	20
5KP9.0A	5KP9.0CA	9.0	10.00	11.10	5	15.4	324.68	20
5KP10	5KP10C	10.0	11.10	13.60	5	18.8	265.96	15
5KP10A	5KP10CA	10.0	11.10	12.30	5	17.0	294.12	15
5KP11	5KP11C	11.0	12.20	14.90	5	20.1	248.76	2
5KP11A	5KP11CA	11.0	12.20	13.50	5	18.2	274.73	2
5KP12	5KP12C	12.0	13.30	16.30	5	22.0	227.27	2
5KP12A	5KP12CA	12.0	13.30	14.70	5	19.9	251.26	2
5KP13	5KP13C	13.0	14.40	17.60	5	23.8	210.08	2
5KP13A	5KP13CA	13.0	14.40	15.90	5	21.5	232.56	2
5KP14	5KP14C	14.0	15.60	19.10	5	25.8	193.80	2
5KP14A	5KP14CA	14.0	15.60	17.20	5	23.2	215.52	2
5KP15	5KP15C	15.0	16.70	20.40	5	26.9	185.87	2
5KP15A	5KP15CA	15.0	16.70	18.50	5	24.4	204.92	2
5KP16	5KP16C	16.0	17.80	21.80	5	28.8	173.61	2
5KP16A	5KP16CA	16.0	17.80	19.70	5	26.0	192.31	2
5KP17	5KP17C	17.0	18.90	23.10	5	30.5	163.93	2
5KP17A	5KP17CA	17.0	18.90	20.90	5	27.6	181.16	2
5KP18	5KP18C	18.0	20.00	24.40	5	32.2	155.28	2
5KP18A	5KP18CA	18.0	20.00	22.10	5	29.2	171.23	2
5KP20	5KP20C	20.0	22.20	27.10	5	35.8	139.66	2
5KP20A	5KP20CA	20.0	22.20	24.50	5	32.4	154.32	2
5KP22	5KP22C	22.0	24.40	29.80	5	39.4	126.90	2
5KP22A	5KP22CA	22.0	24.40	26.90	5	35.5	140.85	2
5KP24	5KP24C	24.0	26.70	32.60	5	43.0	116.28	2
5KP24A	5KP24CA	24.0	26.70	29.50	5	38.9	128.53	2
5KP26	5KP26C	26.0	28.90	35.30	5	46.6	107.30	2
5KP26A	5KP26CA	26.0	28.90	31.90	5	42.1	118.76	2
5KP28	5KP28C	28.0	31.10	38.00	5	50.0	100.00	2
5KP28A	5KP28CA	28.0	31.10	34.40	5	45.4	110.13	2
5KP30	5KP30C	30.0	33.30	40.70	5	53.5	93.46	2
5KP30A	5KP30CA	30.0	33.30	36.80	5	48.4	103.31	2
5KP33	5KP33C	33.0	36.70	44.90	5	59.0	84.75	2
5KP33A	5KP33CA	33.0	36.70	40.60	5	53.3	93.81	2
5KP36	5KP36C	36.0	40.00	48.90	5	64.3	77.76	2
5KP36A	5KP36CA	36.0	40.00	44.20	5	58.1	86.06	2
5KP40	5KP40C	40.0	44.40	54.30	5	71.4	70.03	2
5KP40A	5KP40CA	40.0	44.40	49.10	5	64.5	77.52	2
5KP43	5KP43C	43.0	47.80	58.40	5	76.7	65.19	2
5KP43A	5KP43CA	43.0	47.80	52.80	5	69.4	72.05	2
5KP45	5KP45C	45.0	50.00	61.10	5	80.3	62.27	2
5KP45A	5KP45CA	45.0	50.00	55.30	5	72.7	68.78	2
5KP48	5KP48C	48.0	53.30	65.10	5	85.5	58.48	2
5KP48A	5KP48CA	48.0	53.30	58.90	5	77.4	64.60	2
5KP51	5KP51C	51.0	56.70	69.30	5	91.1	54.88	2
5KP51A	5KP51CA	51.0	56.70	62.70	5	82.4	60.68	2
5KP54	5KP54C	54.0	60.00	73.30	5	96.3	51.92	2
5KP54A	5KP54CA	54.0	60.00	66.30	5	87.1	57.41	2
5KP58	5KP58C	58.0	64.40	78.70	5	103.0	48.54	2
5KP58A	5KP58CA	58.0	64.40	71.20	5	93.6	53.42	2

*For bi-directional devices V_{RWM} ≤ 10V, the I_R limit is double.

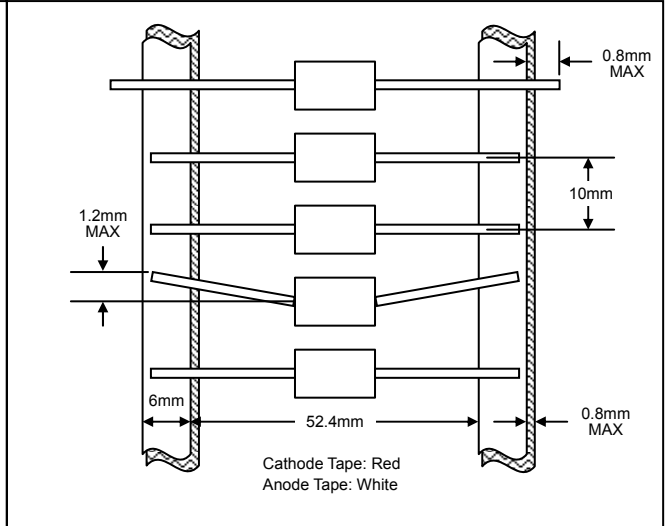
Electrical Characteristics (@T_A=25°C unless otherwise specified) Table 1 (Cont'd)

Uni-Directional Part No.	Bi-Directional Part No.	Reverse Stand-Off Voltage V _{RWM} (V)	Breakdown Voltage V _{BR} (V) @I _T		Test Current I _T (mA)	Maximum Clamping Voltage @I _{PP} V _C (V)	Peak Pulse Current I _{PP} (A)	Reverse Leakage* @V _{RWM} I _R (μA)
			Min.	Max.				
5KP60	5KP60C	60.0	66.70	81.50	5	107.0	46.73	2
5KP60A	5KP60CA	60.0	66.70	73.70	5	96.8	51.65	2
5KP64	5KP64C	64.0	71.10	86.90	5	114.0	43.86	2
5KP64A	5KP64CA	64.0	71.10	78.60	5	103.0	48.54	2
5KP70	5KP70C	70.0	77.80	95.10	5	125.0	40.00	2
5KP70A	5KP70CA	70.0	77.80	86.00	5	113.0	44.25	2
5KP75	5KP75C	75.0	83.30	102.00	5	134.0	37.31	2
5KP75A	5KP75CA	75.0	83.30	92.10	5	121.0	41.32	2
5KP78	5KP78C	78.0	86.70	106.00	5	139.0	35.97	2
5KP78A	5KP78CA	78.0	86.70	95.80	5	126.0	39.68	2
5KP85	5KP85C	85.0	94.40	115.00	5	151.0	33.11	2
5KP85A	5KP85CA	85.0	94.40	104.00	5	137.0	36.50	2
5KP90	5KP90C	90.0	100.00	122.00	5	160.0	31.25	2
5KP90A	5KP90CA	90.0	100.00	111.00	5	146.0	34.25	2
5KP100	5KP100C	100.0	111.00	136.00	5	179.0	27.93	2
5KP100A	5KP100CA	100.0	111.00	123.00	5	162.0	30.86	2
5KP110	5KP110C	110.0	122.00	149.00	5	196.0	25.51	2
5KP110A	5KP110CA	110.0	122.00	135.00	5	177.0	28.25	2
5KP120	5KP120C	120.0	133.00	163.00	5	214.0	23.26	2
5KP120A	5KP120CA	120.0	133.00	147.00	5	193.0	25.91	2
5KP130	5KP130C	130.0	144.00	176.00	5	231.0	21.65	2
5KP130A	5KP130CA	130.0	144.00	159.00	5	209.0	23.92	2
5KP150	5KP150C	150.0	167.00	204.00	5	268.0	18.66	2
5KP150A	5KP150CA	150.0	167.00	185.00	5	243.0	20.58	2
5KP160	5KP160C	160.0	178.00	218.00	5	287.0	17.42	2
5KP160A	5KP160CA	160.0	178.00	197.00	5	259.0	19.31	2
5KP170	5KP170C	170.0	189.00	231.00	5	304.0	16.45	2
5KP170A	5KP170CA	170.0	189.00	209.00	5	275.0	18.18	2
5KP180	5KP180C	180.0	200.00	244.80	5	322.2	15.52	2
5KP180A	5KP180CA	180.0	200.00	220.00	5	291.6	17.15	2
5KP190	5KP190C	190.0	211.00	258.40	5	340.1	14.70	2
5KP190A	5KP190CA	190.0	211.00	232.00	5	307.8	16.24	2
5KP200A	5KP200CA	200.0	224.00	247.00	5	324.0	15.43	2
5KP210A	5KP210CA	210.0	233.00	258.00	5	349.5	14.30	2
5KP220A	5KP220CA	220.0	246.00	272.00	5	356.0	14.00	2
5KP250A	5KP250CA	250.0	279.00	309.00	5	405.0	12.30	2
5KP300A	5KP300CA	300.0	335.00	371.00	5	486.0	10.30	2
5KP350A	5KP350CA	350.0	391.00	432.00	5	567.0	8.80	2
5KP400A	5KP400CA	400.0	447.00	494.00	5	648.0	7.72	2
5KP440A	5KP440CA	440.0	492.00	543.00	5	713.0	7.01	2

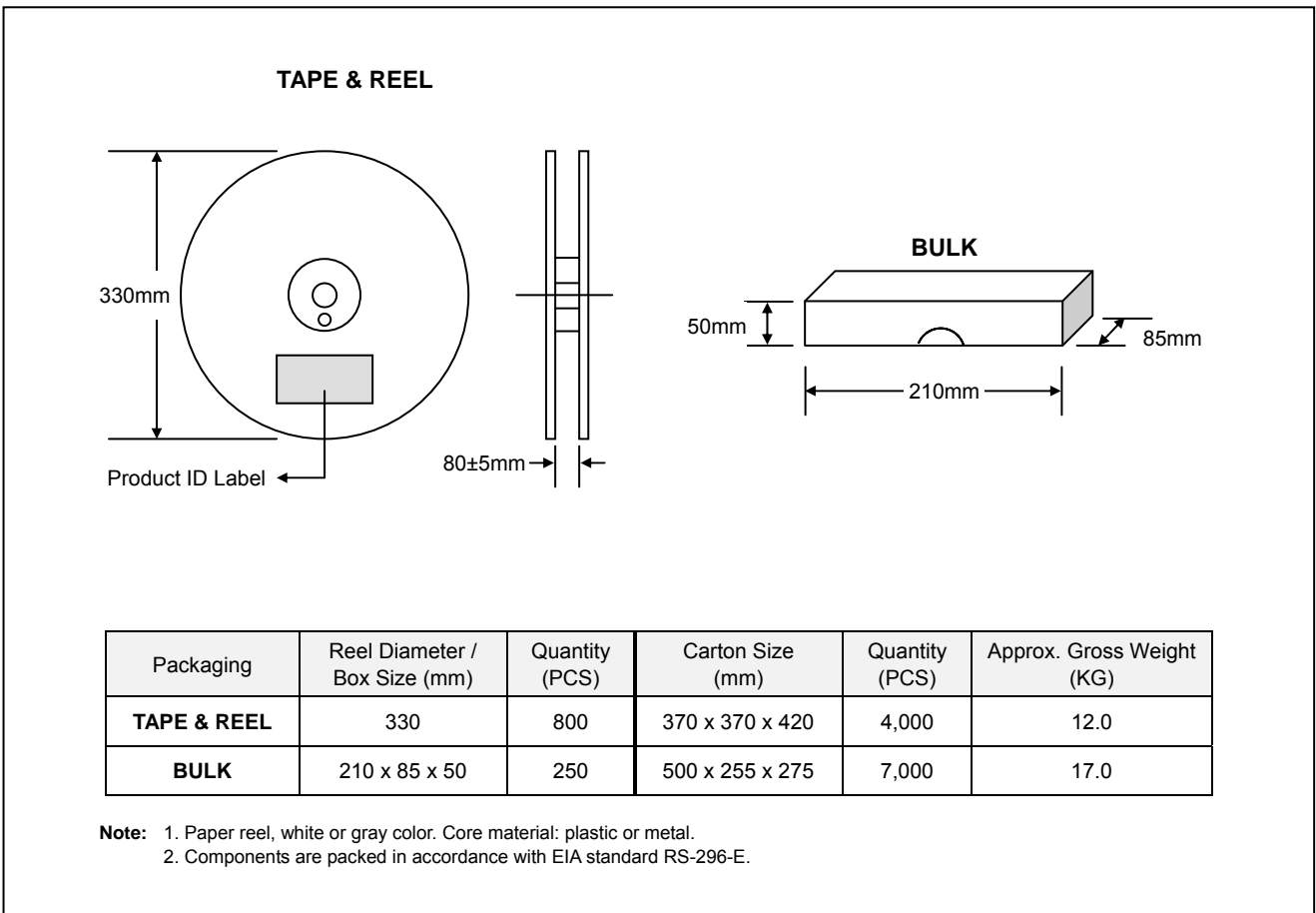
MARKING INFORMATION



TAPING SPECIFICATIONS




PACKAGING INFORMATION



ORDERING INFORMATION

Product No.	Package Type	Shipping Quantity
5KPxx-T3	P-600	800/Tape & Reel
5KPxx	P-600	250 Units/Box

1. Products listed in **bold** are WTE **Preferred** Devices.
2. Shipping quantity given is for minimum packing quantity only. For minimum order quantity, please consult the Sales Department.
3. **To order RoHS / Lead Free version (with Lead Free finish), add "-LF" suffix to part number above. For example, 5KP5.0-T3-LF.**

WON-TOP ELECTRONICS and  are registered trademarks of Won-Top Electronics Co., Ltd (WTE). WTE has checked all information carefully and believes it to be correct and accurate. However, WTE cannot assume any responsibility for inaccuracies. Furthermore, this information does not give the purchaser of semiconductor devices any license under patent rights to manufacturer. WTE reserves the right to change any or all information herein without further notice.

WARNING: DO NOT USE IN LIFE SUPPORT EQUIPMENT. WTE power semiconductor products are not authorized for use as critical components in life support devices or systems without the express written approval.

Won-Top Electronics Co., Ltd.
No. 44 Yu Kang North 3rd Road,
Chine Chen Dist., Kaohsiung 806, Taiwan
Phone: 886-7-822-5408 or 886-7-822-5410
Fax: 886-7-822-5417
Email: sales@wontop.com
Internet: http://www.wontop.com

We power your everyday.