

General-purpose Diodes

Rectifier Diodes

■ Surface-mount Type

(Ta=25°C)

Type No.	Absolute Maximum Ratings					Electrical Characteristics			Fig. No.
	V _{RM} (V)	I _{F(AV)} (A)	I _{FSM} (A)	T _j	T _{stg}	V _F (V)	Condition	I _R (μA)	
				(°C)			max		
SFPM-52	200	0.9	30	-40 to +150		1.00	1.0	10	1
-54	400								
SFPM-62	200	1.0	45			0.98			
-64	400								

(Ta=25°C)

Type No.	Absolute Maximum Ratings					Electrical Characteristics			Fig. No.
	V _{RM} (V)	I _{F(AV)} (A)	I _{FSM} (A)	T _j	T _{stg}	V _F (V)	Condition	I _R (μA)	
				(°C)			max		
RM 4Y	100	3.0	200	-40 to +150		0.95	3.0	10	8
4Z	200								
4	400								
4A	600								
4B	800	150				0.97			
4C	1000								
4AM	600	3.2	350			0.92	3.5		

■ Axial Type

(Ta=25°C)

Type No.	Absolute Maximum Ratings					Electrical Characteristics			Fig. No.
	V _{RM} (V)	I _{F(AV)} (A)	I _{FSM} (A)	T _j	T _{stg}	V _F (V)	Condition	I _R (μA)	
				(°C)			max		
AM01Z	200	1.0	35	-40 to +150		0.98	1.0	10	2
01	400								
01A	600								
EM01Z	200	1.0	45	-40 to +150		0.97	1.0	10	3
01	400								
01A	600								
EM 1Y	100	1.0	45	-40 to +150		0.97	1.0	10	4
1Z	200								
1	400								
1A	600	35							
1B	800								
1C	1000								
EM 2	400	1.2	80	-40 to +150		0.92	1.2		
2A	600								
2B	800								
RM 1Z	200	1.0	50	-40 to +150		0.95	1.0	5	
1	400								
1A	600								
1B	800	0.8	40			1.20			
1C	1000								
RM 11A	600								
11B	800								
11C	1000								
RM 10Z	200	1.5	120	-40 to +150		0.91	1.5	10	
10	400								
10A	600								
10B	800	1.2	150						
RM 2Z	200								
2	400								
2A	600	1.2	100	-40 to +150		0.91	1.5	10	6
2B	800								
2C	1000								
RO 2Z	200	1.2	80	-40 to +150		0.92	1.5	10	
2	400								
2A	600								
2B	800	2.5	150	-40 to +150		0.95	2.5	10	7
2C	1000								
RM 3	400								
3A	600								
3B	800								
3C	1000								

(Ta=25°C)

■ Center-tap Type

Type No.	Absolute Maximum Ratings					Electrical Characteristics			Fig. No.
	V _{RM} (V)	I _{F(AV)} (A)	I _{FSM} (A)	T _j	T _{stg}	V _F (V)	Condition	I _R (μA)	
				(°C)			max. per chip		
FMM-22S,R	200	10.0	100	-40 to +150		1.1	5.0	10	9
-24S,R	400								
-26S,R	600								
FMM-31S,R	100	20.0	120	-40 to +150		1.1	10.0	10	10
-32S,R	200								
-34S,R	400								
-36S,R	600								

Fast Recovery Rectifier Diodes

■ Axial Type

(Ta=25°C)

Type No.	Absolute Maximum Ratings					Electrical Characteristics				Fig. No.
	V _{RM} (V)	I _{F(AV)} (A)	I _{FSM} (A)	T _j	T _{stg}	V _F (V)	I _R (μA)	trr1 (μs)	trr2 (μs)	
				(°C)						
RC 2	2000	0.20	20	-40 to +150	2.00	10	4.0	1.30	5	
EH 1Z	200	0.60	30							
1	400			-40 to +150	1.35	10	4.0	1.30	4	
1A	600									
RH 1Z	200	0.06	35	-40 to +150	1.30	5	4.0	1.30	5	
1	400									
1A	600	0.60	20	-40 to +150	1.50	10	1.5	0.60	2	
1B	800									
1C	1000									
AS01Z	200	0.70	30	-40 to +150	2.50	10	1.5	0.60	3	
01	400									
01A	600									
01F	1500	0.50	20	-40 to +150	2.00	10	1.5	0.60	4	
ES 1Z	200									
1	400	0.70	30	-40 to +150	2.50	10	1.5	0.60	5	
1A	600									
1F	1500	0.70	30	-40 to +150	2.50	10	1.5	0.60	5	
RS 1A	600									
1B	800									
AU01Z	200	0.50	15	-40 to +150	1.70	10	0.4	0.18	2	
01	400									
01A	600									
AU02Z	200	0.80	25	-40 to +150	1.30	10	0.4	0.18	5	
02	400									
02A	600									
RU 1	400	0.25	15	-40 to +150	2.50	10	0.4	0.18	3	
1A	600									
1B	800	0.20	15	-40 to +150	2.50	10	0.4	0.18	4	
1C	1000									
EU01Z	200	0.25	15	-40 to +150	2.50	10	0.4	0.18	4	
01	400									
01A	600									
EU 1Z	200	0.60	15	-40 to +150	2.00	10	0.4	0.18	5	
1	400									
1A	600	0.25	15	-40 to +150	2.50	10	0.4	0.18	4	
1B	800									
RF 1Z	200	0.60	15	-40 to +150	2.00	10	0.4	0.18	5	
1	400									
1A	600	1.00	20	-40 to +150	1.50	10	0.4	0.18	9	
1B	800									
RU 2Z	200	0.80	20	-40 to +150	1.50	10	0.4	0.18	9	
2	600									
2B	800	1.00	15	-40 to +150	1.40	10	0.4	0.18	3	
2C	1000									
EU02Z	200	1.00	15	-40 to +150	1.40	10	0.4	0.18	3	
02	400									
02A	600	1.00	15	-40 to +150	1.40	10	0.4	0.18	4	
EU 2Z	200									
2	400	1.00	15	-40 to +150	1.40	10	0.4	0.18	4	
2A	600									
2YX	100	1.20	25	-40 to +150	0.90		0.2	0.08	●	

●trr1=I_F/I_{RP}=1:1, trr2=I_F/I_{RP}=1:2

(Ta=25°C)

Type No.	Absolute Maximum Ratings					Electrical Characteristics				Fig. No.
	V _{RM} (V)	I _{F(AV)} (A)	I _{FSM} (A)	T _j	T _{stg}	V _F (V)	I _R (μA)	trr1 (μs)	trr2 (μs)	
				(°C)						
RU 2M	400	1.10	20	-40 to +150	1.20	10	0.4	0.18	5	
2AM	600									
2YX	100	1.50	30	-40 to +150	0.95		0.2	0.08		
RU 20A	600	1.50	50	-40 to +150	1.10		0.4	0.18		
RU 3	400	1.50	20	-40 to +150	1.50	10	0.4	0.18	6	
3A	600									
3B	800	1.10		-40 to +150	2.00					
3C	1000	1.50		-40 to +150	1.10					
3M	400	1.50	50	-40 to +150	0.95	10	0.2	0.08	3	
3AM	600									
3YX	100	2.00		-40 to +150	0.89		0.2	0.08		
RU 30Y	100	3.50	100	-40 to +150	0.97		0.4	0.18		
30Z	200	2.00	200	-40 to +150	0.95	10	0.4	0.18	8	
30	400									
30A	600									
RU 4Y	100	3.50	70	-40 to +150	1.30	10	0.4	0.18	8	
4Z	200									
4	400	3.00	50	-40 to +150	1.50	50	0.2	0.08	11	
4A	600									
4B	800	2.50	70	-40 to +150	1.60	10	0.4	0.18	9	
4C	1000									
4M	400	3.50	70	-40 to +150	1.30	10	0.2	0.08	10	
4AM	600									
4YX	100	4.00	100	-40 to +150	0.85		0.2	0.08		

●trr1=I_F/I_{RP}=1:1, trr2=I_F/I_{RP}=1:2

■ Single-chip Frame Type

(Ta=25°C)

Type No.	Absolute Maximum Ratings					Electrical Characteristics				Fig. No.
	V _{RM} (V)	I _{F(AV)} (A)	I _{FSM} (A)	T _j	T _{stg}	V _F (V)	I _R (μA)	trr1 (μs)	trr2 (μs)	
				(°C)						
FMU-G2YXS	100	10.0	100	-40 to +150	1.00	50	0.4	0.18	11	
-G16S	600	5.0	30							
-G26S	600	10.0	40							

●trr1=I_F/I_{RP}=1:1, trr2=I_F/I_{RP}=1:2

■ Center-tap Type

(Ta=25°C)

Type No.	Absolute Maximum Ratings					Electrical Characteristics				Fig. No.
	V _{RM} (V)	I _{F(AV)} (A)	I _{FSM} (A)	T _j	T _{stg}	V _F (V)	I _R (μA)	trr1 (μs)	trr2 (μs)	
				(°C)						
FMU-12S,R	200	5.0	30	-40 to +150	1.5	50	0.4	0.18	9	
-14S,R	400									
-16S,R	600									
FMU-21S,R	100	10.0	40	-40 to +150	1.5	50	0.4	0.18	9	
-22S,R	200									
-24S,R	400									
-26S,R	600									
FMU-32S,R	200	20.0	80	-40 to +150	1.5	50	0.4	0.18	10	
-34S,R	400									
-36S,R	600									

●trr1=I_F/I_{RP}=1:1, trr2=I_F/I_{RP}=1:2

Ultra Fast Recovery Rectifier Diodes

■ Surface-mount Type

(Ta=25°C)

Type No.	Absolute Maximum Ratings				Electrical Characteristics				Fig. No.	
	V _{RM} (V)	I _{F(AV)} (A)	I _{FSM} (A)	T _J	T _{stg}	V _F (V)	I _R (μA)	trr1 (ns)		trr2 (ns)
				(°C)						
SFPL-52	200	0.9	25	-40 to +150	0.98	10	50	35	1	
-62		1.0								
SPX-G32S		3.0	50							
-62S*		6.0	80							

*Center-tap Type

■ Axial Type

(Ta=25°C)

Type No.	Absolute Maximum Ratings				Electrical Characteristics				Fig. No.								
	V _{RM} (V)	I _{F(AV)} (A)	I _{FSM} (A)	T _J	T _{stg}	V _F (V)	I _R (μA)	trr1 (ns)		trr2 (ns)							
				(°C)							max	max	max	max			
AG01Y	70	1.0	25	-40 to +150	1.20	100	100	50	2								
01Z	200	0.7	15														
01	400																
01A	600	0.5	10														
EG01Y	70	1.0	30	-40 to +150	1.20	100	100	50	3								
01Z	200	0.7	15														
01	400																
01A	600	0.5	10														
01C	1000				2.00												
EG 1Y	70	1.1	30	-40 to +150	1.20	100	100	50	4								
1Z	200	0.8	15														
1	400																
1A	600	0.6	10														
RG 1C	1000	0.7	10	-40 to +150	1.10	50	100	50	5								
RG 10Y	70	1.5	50														
10	400	1.2															
10A	600	1.0															
RG 2Y	70	1.5		-40 to +150	1.10	50	100	50	6								
2Z	200	1.2	50														
2	400																
2A	600	1.0															
RG 4Y	70	3.5	100	-40 to +150	1.30	100	100	50	8								
4Z	200	3.0	80														
4	400																
4A	600	2.0	50														
4C	1000		60		3.00												
EN01Z	200	1.0	50	-40 to +150	0.92	100	100	50	3								
RN 1Z		1.5	60							5							
RN 2Z		2.0	70							6							
RN 3Z		3.0	80							7							
RN 4Z	3.5	120	8														
AP01C	1000	0.2	5	-40 to +150	4.00	100	200	80	2								
EP01C										5	3						
RP 1H										7.00	20	5					
RU 1P										4.00	5	100	50				
AL01Z	200	1.0	25	-40 to +150	0.98	100	50	35	2								
EL 1Z										20	4						
EL 1										1.30	40	3					
EL02Z										40	3						
RL 10Z	200	2.0	30	-40 to +150	0.98	50	100	35	5								
RL 2Z										100	6						
2										350	40	7					
2A										600	1.1	30	1.30	10	50	5	
RL 3Z	200	3.5	80	-40 to +150	0.95	100	100	35	7								
3										350	50	5					
3A										600	2.0	60	1.30	50	50	5	
RL 4Z										200	3.5	80	-40 to +150	0.95	150	100	35
4A	600	3.0	60	1.50	50	50	5										
RX 3Z	200	3.0	80	0.98	50	30	25	7									

■ Single-chip Frame Type

(Ta=25°C)

Type No.	Absolute Maximum Ratings				Electrical Characteristics				Fig. No.				
	V _{RM} (V)	I _{F(AV)} (A)	I _{FSM} (A)	T _J	T _{stg}	V _F (V)	I _R (μA)	trr1 (ns)		trr2 (ns)			
				(°C)							max	max	max
FMG-G26S	600	4.0	50	-40 to +150	2.50	500	100	50	11				
-G36S		8.0	80										
-G2CS	1000	3.0	30	-40 to +150	4.00	50	150	70	13				
-G3CS		5.0	60										
FMP-G12S	200	5.0	65	-40 to +150	1.15	50	150	70	11				
FMN-G12S		100	0.92							100	100	50	
FML-G12S	200	5.0	70	-40 to +150	0.98	250	40	35	11				
-G13S										1.30	100	50	
-G14S										400	1.50		
-G16S										600	50		
-G22S	200	10.0	150		0.98	500	40	30					
-G26S	600	100			1.70	100	65	40					
FMX-G12S	200	5.0	65	-40 to +150	0.98	100	30	25	11				
-G22S		10.0	150							200			

■ Center-tap Type

(Ta=25°C)

Type No.	Absolute Maximum Ratings				Electrical Characteristics				Fig. No.	
	V _{RM} (V)	I _{F(AV)} (A)	I _{FSM} (A)	T _J	T _{stg}	V _F (V)	I _R (mA)	trr1 (ns)		trr2 (ns)
				(°C)						
FMG-12S,R	200	5.0	35	-40 to +150	1.80	0.50	100	50	9	
-13S,R										300
-14S,R										400
FMG-22S,R	200	10.0	65	-40 to +150	1.80	0.50	100	50	9	
-23S,R										300
-24S,R										400
-26S,R										600
FMG-32S,R	200	20.0	150	-40 to +150	1.80	1.00	100	50	10	
-33S,R										300
-34S,R										400
-36S,R	600	15.0	80		2.20					
FMC-26U	600	6.0	50	-40 to +150	2.00	0.50	70	35	9	
FML-12S	200	5.0	35	-40 to +150	0.98	0.15	40	30	9	
-13S										300
-14S										400
FML-22S	200	10.0	65	-40 to +150	0.98	0.25	40	30	9	
-23S										300
-24S										400
-26S										600
FML-32S	200	20.0	150	-40 to +150	0.98	0.60	40	30	10	
-33S										300
-34S										400
-36S	600	1.70	0.10	65	35					
FMX-12S	200	5.0	35	-40 to +150	0.98	0.05	30	25	9	
-22S		10.0	65							
-22SL		15.0	100							
-32S		20.0	150							0.20

■ Bridge Type

(Ta=25°C)

Type No.	Absolute Maximum Ratings				Electrical Characteristics				Fig. No.	
	V _{RM} (V)	I _{F(AV)} (A)	I _{FSM} (A)	T _J	T _{stg}	V _F (V)	I _R (mA)	trr1 (ns)		trr2 (ns)
				(°C)						
RBA-402L	200	4.0	80	-40 to +150	0.98	0.05	40	30	14	
RBV-602L	200	6.0	100							1.00

Schottky Barrier Diodes

■ Surface-mount Type

Type No.	Absolute Maximum Ratings					Electrical Characteristics			Fig. No.		
	V _{RM} (V)	I _{F(AV)} (A)	I _{FSM} (A)	T _j	T _{stg}	V _F (V)	I _R (mA)	H·I _R (mA)			
				(°C)		Condition = IF Ta=100°C max					
SFPB-52	20	1.0	30	-40 to +150	0.47	0.25	10	1			
SFPB-62		2.0	60			0.50	20				
SFPB-72		3.0	60			1.00	20				
SFPA-53	30	1.0	30	-40 to +125	0.36	1.50	70	1			
SFPA-63		2.0	40			3.00	140				
SFPA-73		3.0	50			4.50	210				
SFPE-63	30	2.0	40	-40 to +150	0.55	0.20	20	1			
SFPJ-53		1.0	30			1.00	10 (Ta=125°C)				
SFPJ-63		2.0	40			2.00	20 (Ta=125°C)				
SFPJ-73		3.0	50			3.00	30 (Ta=125°C)				
SPJ-63S*		6.0	50						14		
SSB-14		0.5	4						0.58	0.10	5
SFPB-54	40	1.0	30	-40 to +150	0.55	1.00	50	1			
SFPB-64		1.5	60			5.00	50				
SFPB-74		2.0	60			0.50	5.00		20		
SFPE-64		2.0	40			-40 to +150	0.60		0.20	20	14
SPB-G34S		3.0	50						30.00	50	
SPB-G54S		5.0	60			-40 to +150	0.55		50.00	50	
SPB-64S*	6.0	50			30.00	50	14				
MPE-24H*	15.0	100	-40 to +150	0.60	0.75	50 (Ta=150°C)	17				
SFPB-56	60	0.7	10	-40 to +150	0.62	1.00	7.5	1			
SFPB-66		1.5	25			2.00	20				
SFPB-76		2.0	40			35.00	50		14		
SPB-G56S		5.0	60						1.00	5	1
SFPB-59	0.7	10	2.00	10							
SFPB-69	1.5	40			0.81	2.00	10				

*Center-tap Type

■ Axial Type

Type No.	Absolute Maximum Ratings					Electrical Characteristics			Fig. No.						
	V _{RM} (V)	I _{F(AV)} (A)	I _{FSM} (A)	T _j	T _{stg}	V _F (V)	I _R (mA)	H·I _R (mA)							
				(°C)		max									
RK 42	20	3.0	100	-40 to +150	0.47	1.00	20	8							
AK 03	30	1.0	25	-40 to +150	0.55	1.00	50 (Tj=100°C)	2							
EA 03			30	-40 to +125	0.36	1.50	70	3							
EK 03					-40 to +150	0.55	5.00	50	4						
EK 13	30	1.5	40	-40 to +125	0.36	3.00	140	5							
RA 13									2.0	60	0.55	5.00	50	6	
RK 13									2.5	50	0.45	3.00	30 (Tj=125°C)	8	
RK 33									3.0	80	0.55	5.00	50	8	
RJ 43													1.00	50 (Tj=100°C)	2
RK 43													0.55	5.00	50
AK 04	40	1.0	40	-40 to +150	0.55	5.00	50	4							
EK 04									1.5	60	0.55	5.00	50	5	
EK 14									1.7	60	0.55	5.00	50	6	
RK 14									2.5	50	0.55	5.00	50	6	
RK 34									3.0	80	0.55	5.00	50	8	
RK 44													0.62	1.00	7.5
AK 06	60	0.7	10	-40 to +150	0.62	2.00	25	6							
EK 06									2.0	40	0.62	2.00	25	6	
EK 16									3.0	70	0.62	3.00	35	8	
RK 16													1.00	15	4
RK 36													2.00	25	6
RK 46													3.00	35	8

Type No.	Absolute Maximum Ratings					Electrical Characteristics			Fig. No.	
	V _{RM} (V)	I _{F(AV)} (A)	I _{FSM} (A)	T _j	T _{stg}	V _F (V)	I _R (mA)	H·I _R (mA)		
				(°C)		max. per chip Ta=100°C				
AK 09	90	0.7	10	-40 to +150	0.81	2.00	15	30	2	
EK 09									5	3
EK 19									10	4
RK 19									15	5
RK 39									30	6
RK 49									60	8

■ Single-chip Frame Type

Type No.	Absolute Maximum Ratings					Electrical Characteristics			Fig. No.
	V _{RM} (V)	I _{F(AV)} (A)	I _{FSM} (A)	T _j	T _{stg}	V _F (V)	I _R (mA)	H·I _R (mA)	
				(°C)		max			
FMB-G12L	20	5.0	100	-40 to +150	0.47	2.00	35	13	
FMB-G22H		10.0	200			5.00	65		
FMB-G14	40	3.0	60	-40 to +150	0.55	5.00	100	13	
FMB-G14L		5.0	150			10.00	65		
FMB-G24H		10.0	150			5.00	50		
FMB-G16L	60	6.0	50			0.62	5.00	50	
FMB-G19L	90	4.0	60			0.81	5.00	35	

■ Center-tap Type

Type No.	Absolute Maximum Ratings					Electrical Characteristics			Fig. No.
	V _{RM} (V)	I _{F(AV)} (A)	I _{FSM} (A)	T _j	T _{stg}	V _F (V)	I _R (mA)	H·I _R (mA)	
				(°C)		max. per chip Ta=100°C			
FMB-22L	20	10.0	100	-40 to +150	0.47	2.00	35	9	
FMB-22H		15.0	150			3.00	50		
FMB-32		20.0	200			5.00	65		
FMB-32M		30.0	300			10.00	100		
FME-24L	40	10.0	80	-40 to +150	0.60	0.50	30	10	
FME-24H		15.0	100			0.75	50		
FMB-24	40	4.0	50	-40 to +150	0.55	5.00	35	9	
FMB-24M		6.0	60			7.50	50		
FMB-24L		10.0	60			5.00	35		
FMB-24H		15.0	100			10.00	65		
FMB-34S		12.0	75			20.00	100		
FMB-34		15.0	150			5.00	35		
FMB-34M		30.0	300			10.00	100		
CTB-24		4.0	60			5.00	35		
CTB-24L		10.0	60			10.00	65		
CTB-34		15.0	150			20.00	100		
CTB-34M	30.0	300	10.00	65					
FMB-26	60	4.0	40	-40 to +150	0.62	1.00	25	9	
FMB-26L		10.0	50			2.50	50		
FMB-36		15.0	100			5.00	75		
FMB-36M	30.0	150	10.00	150	10				
FMB-29	90	4.0	50	-40 to +150	0.81	3.00	15	9	
FMB-29L		8.0	60			5.00	35		
FMB-39		15.0	60			10.00	50		
FMB-39M		20.0	150			15.00	60		

■ Bridge Type

Type No.	Absolute Maximum Ratings					Electrical Characteristics			Fig. No.
	V _{RM} (V)	I _{F(AV)} (A)	I _{FSM} (A)	T _j	T _{stg}	V _F (V)	I _R (mA)	H·I _R (mA)	
				(°C)		max. per chip Ta=100°C			
RBA-404B	40	4.0	40	-40 to +150	0.55	2.0	20	14	
-1004B		10.0	60			5.0	35 (Tj=125°C)		
406B	60	4.0	40			0.62	2.0	20	

General-purpose Diodes - External Dimensions

Fig. 1

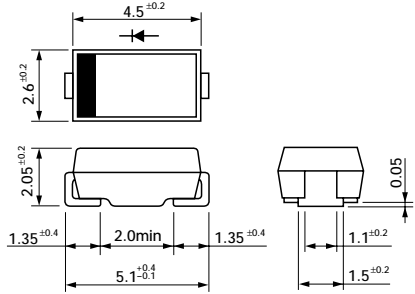


Fig. 2

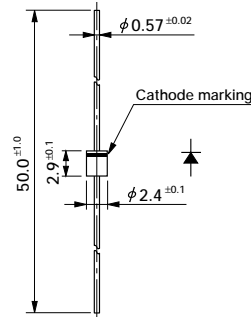


Fig. 3

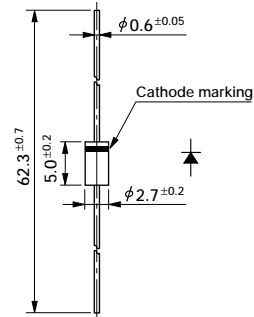


Fig. 4

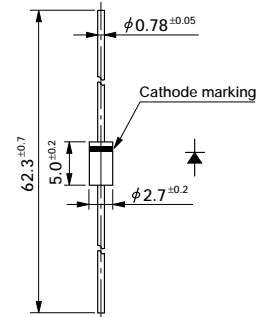


Fig. 5

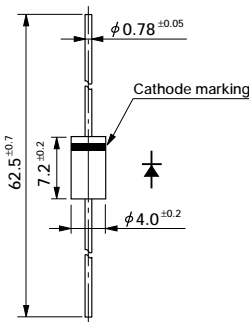


Fig. 6

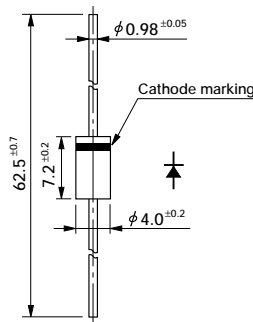


Fig. 7

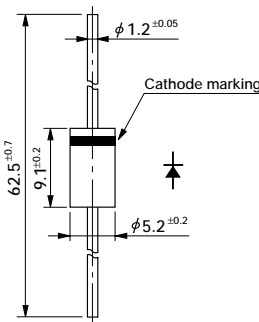


Fig. 8

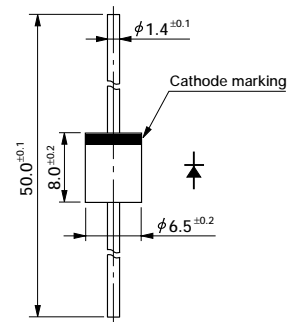


Fig. 9

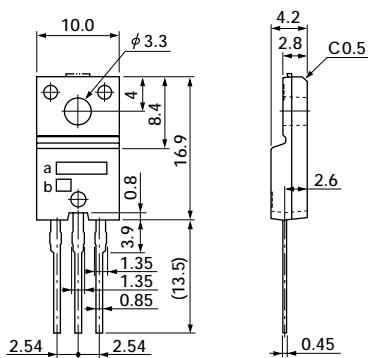
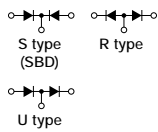
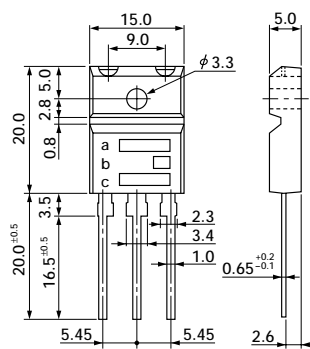
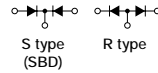


Fig. 10



a) Type No.
b) Lot No.



a) Type No.
b) Polarity
c) Lot No.

General-purpose Diodes - External Dimensions

Fig. 11 Full-mold

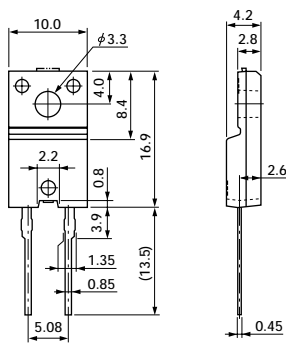


Fig. 12

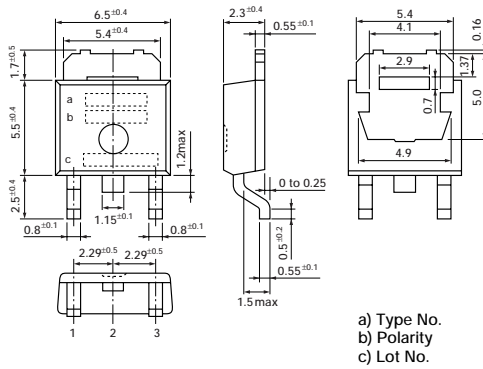


Fig. 13 Full-mold

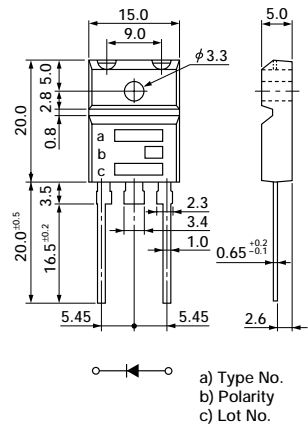


Fig. 14

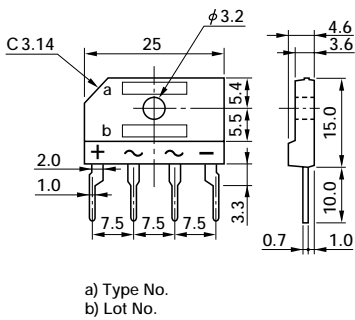


Fig. 15

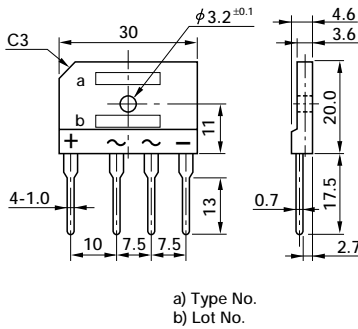


Fig. 16 SSB-14

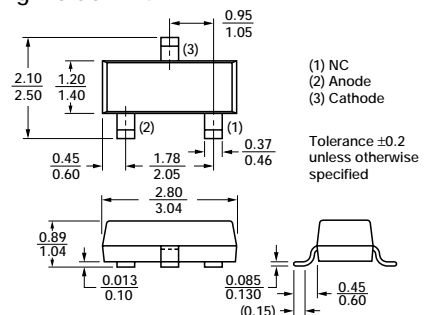


Fig. 17 MPE-24H

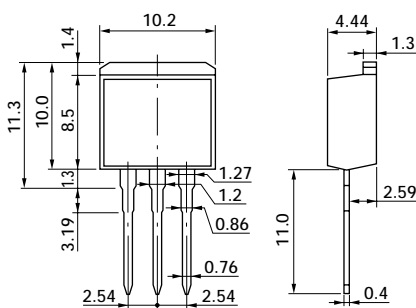


Fig. 18 MT-25 (TO-220)

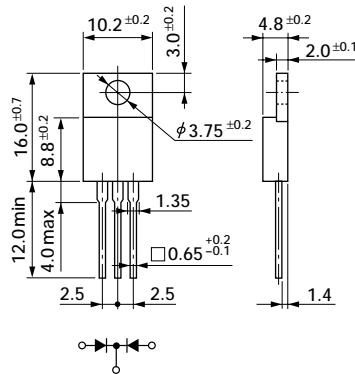
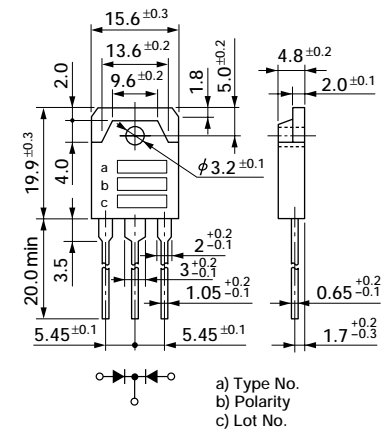


Fig. 19 MT-100 (TO-3P)



General-purpose Diodes - Taping Specifications

Taping Specifications			
Taping Name	Taping Dimensions (mm)	Packaging Dimensions (mm) and Markings	Packaging Quantity
<p style="text-align: center; font-size: 2em; font-weight: bold;">V</p> <p>A suffix "V" is added to Type No. for tape packaging.</p>	<p style="text-align: center;">Emboss taping</p> <p>(1) The cathode is on the right-hand side when viewed in the pull out direction. (2) The electrode side of the product is on the bottom when casing. (3) A leader tape of 150 to 200 mm in length is provided. (4) The leading and trailing edge of the leader tape are provided with a pitch of at least 10 mm. (5) Reversed polarity taping available on request (specify taping name "VL").</p>	<p style="text-align: center;">Reel</p>	<p>1,800 pcs. per reel</p>
<p style="text-align: center; font-size: 2em; font-weight: bold;">V</p> <p>A suffix "V" is added to Type No. for tape packaging.</p>	<p style="text-align: center;">Axial taping</p>	<p style="text-align: center;">Reel</p>	<p>5,000 pcs. per reel (2.7φ body) 3,000 pcs. (2.4φ body)</p>
<p style="text-align: center; font-size: 2em; font-weight: bold;">V1</p> <p>A suffix "V1" is added to Type No. for tape packaging.</p>	<p style="text-align: center;">Axial taping</p>	<p style="text-align: center;">Ammunition (Ammo) pack</p> <p style="text-align: center;">Broken lines: perforations</p>	<p>2,000 pcs. per box (2.7φ body) 3000 pcs. (2.4φ body) 1000 pcs. (4φ body)</p>
<p style="text-align: center; font-size: 2em; font-weight: bold;">VO</p> <p>A suffix "VO" is added to Type No. for tape packaging.</p>	<p style="text-align: center;">Axial taping</p>	<p style="text-align: center;">Ammunition (Ammo) pack</p> <p style="text-align: center;">Broken lines: perforations</p>	<p>2,000 pcs. per box (2.7φ body) 3000 pcs. (2.4φ body)</p>
<p style="text-align: center; font-size: 2em; font-weight: bold;">V3</p> <p>A suffix "V3" is added to Type No. for tape packaging.</p>	<p style="text-align: center;">Axial taping</p>	<p style="text-align: center;">Reel</p>	<p>1,500 pcs. per reel (5.2φ body)</p>

General-purpose Diodes - Taping Specifications

Taping Specifications			
Taping Name	Taping Dimensions (mm)	Packaging Dimensions (mm) and Markings	Packaging Quantity
<p>V4</p> <p>A suffix "V4" is added to Type No. for tape packaging.</p>	<p>Axial taping</p>	<p>Ammunition (Ammo) pack</p>	<p>1,000 pcs. per box (5.2φ body)</p>
<p>W</p> <p>A suffix "W" is added to Type No. for tape packaging.</p>	<p>Radial taping</p>	<p>Ammunition (Ammo) pack</p>	<p>4,000 pcs. per box (2.7φ body (0.6φ leads only))</p>
<p>WS</p> <p>A suffix "WS" is added to Type No. for tape packaging.</p>	<p>Radial taping (applies to A0 series)</p>	<p>Ammunition (Ammo) pack</p>	<p>2,500 pcs. per box (2.4φ body)</p>
<p>WK</p> <p>A suffix "WK" is added to Type No. for tape packaging.</p>	<p>Radial taping (applies to A0 series)</p>		<p>2,500 pcs. per box (2.4φ body)</p>

