



Transistors



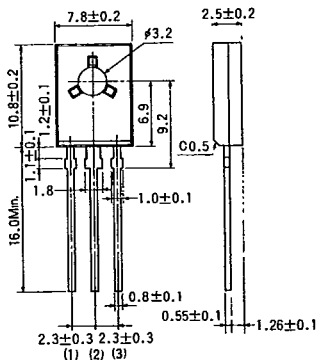
7-33-01

• TO-126, TO-126FP Types

Type		Function	V _{CE0} (V) **V _{CER}	I _c (A)	I _{cMAX} (A)	P _c (W)(T _c =25°)		h _{FE}	V _{CE} (V)	I _c (mA)	
TO-126	TO-126FP					TO-126	TO-126FP				
2SB1007	2SB1309	Driver	-80	-0.7	—	10	5	82~390	-3	-100	
2SB1009	2SB1311		-32	-2	—	10	5	82~390	-5	-500	
2SB1065	—		-50	-3	—	10	—	56~390	-3	-500	
2SB1086	—		-120	-1.5	—	10	—	56~390	-5	-100	
2SB1086A	—		-160	-1.5	—	10	—	56~270	-5	-100	
2SD1378	—		80	0.7	—	10	—	82~390	3	100	
2SD1380	2SD1968		32	2	—	10	5	82~390	3	500	
2SD1382	—		80	1	2	10	—	82~390	3	100	
2SD1506	—		50	3	—	10	—	56~390	3	500	
2SD1563	—		120	1.5	—	10	—	56~390	5	100	
2SD1563A	—		160	1.5	—	10	—	56~270	5	100	
2SB1423	2SB1436		Strobo Flash	-20	-5	-10	10	10	82~390	-2	-500
2SD2147	2SD2166		Low V _{CE} (sat)	20	5	10	10	10	120~560	2	500
2SC3272	—	Chroma	300	0.1	—	10	—	39~180	10	10	
—	2SC4137	High h _{FE}	20	0.1	—	—	4	560~2700	3	10	
—	2SC4198		18	0.5	—	—	5	560~1800	3	100	
2SB1008	—	Darlington Driver	-40**	-2	—	10	—	1K~	-3	-500	
2SB1272	—		-100	-2	—	10	—	1K~10K	-2	-1000	
2SD1379	—		40**	2	—	10	—	4K~	3	500	
2SD1637	—		60±10	2	—	10	—	1K~10K	2	1000	
2SD1638	—		100	2	—	10	—	1K~10K	2	1000	
2SA1775	—		High Voltage SW	-400	-0.5	-1	10	—	56~270	-5	-50

Dimensions (Unit: mm)

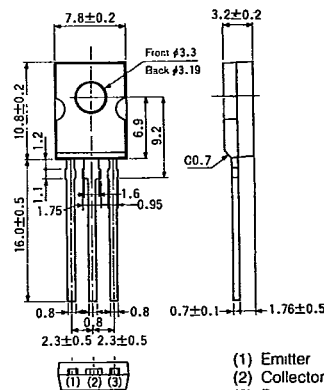
TO-126



- (1) Emitter
- (2) Collector
- (3) Base

Fig. 6

TO-126FP



- (1) Emitter
- (2) Collector
- (3) Base

Fig. 7

Note For more information, see Discrete Components in the "ROHM Data Book '90"