

PRODUCT NUMBER

XXXXX-YYY HPLF

LEAD FREE OPTION  
SEE NOTE 1,13

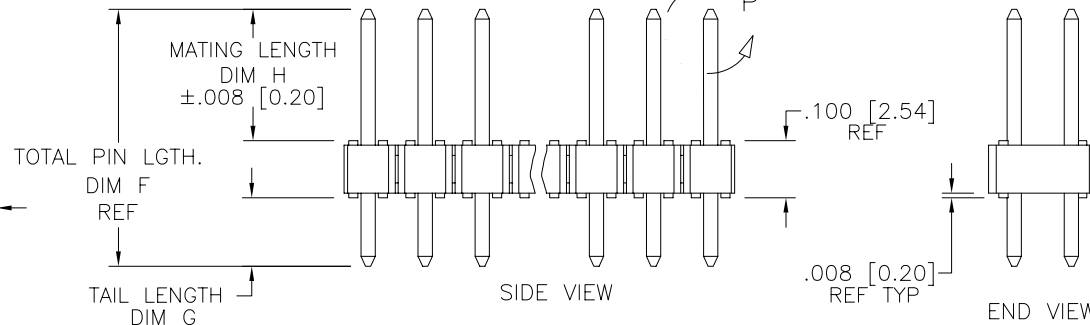
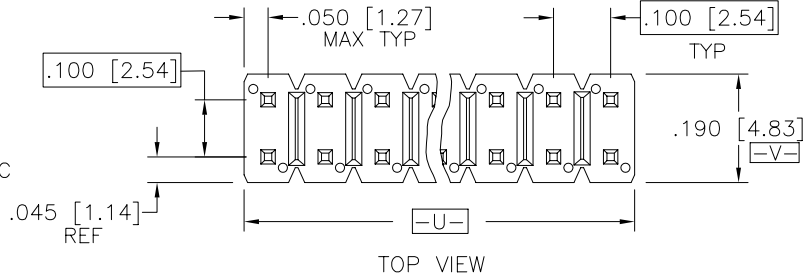
SPECIAL OPTIONS  
SEE NOTE 1 OR 10

HIGH TEMPERATURE PLASTIC  
SEE NOTE 1

NO. OF  
POSITIONS  
SEE NOTE 1

PIN PLATING  
SEE SHEET 2

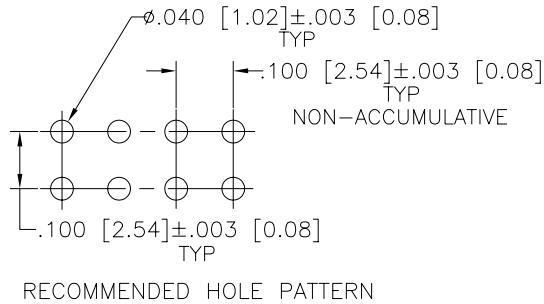
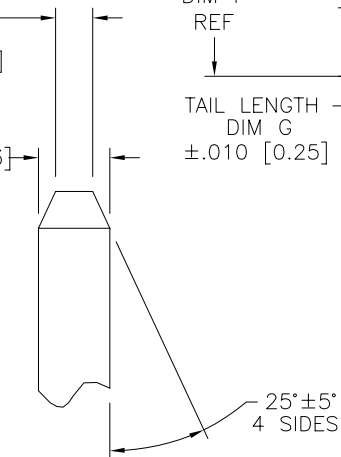
BASE PART NO.



NOTE 6

Ø.013 [0.33] MAX TYP  
Ø.020/0.51 [M][U][V][S]  
NOTE 4

Ø.025 [0.64] ±.001 [0.03] TYP



|                                |          |                                       |          |                                  |                  |                       |    |  |    |
|--------------------------------|----------|---------------------------------------|----------|----------------------------------|------------------|-----------------------|----|--|----|
| mat'l. code<br>SEE NOTES 2 & 3 |          | surface<br>ISO 1302 ✓                 |          | tolerance<br>ISO 406<br>ISO 1101 |                  | projection<br>INCH/MM |    | product family<br>BERGSTIK                             |    |
| ltr ecn no dr date             |          | tolerances unless otherwise specified |          | angles linear                    |                  | scale 1:1             |    | title<br>BERGSTIK® II HDR. D/R<br>.100/2.54cc STRAIGHT |    |
| CP                             | V20801   | GIP                                   | 04/29/02 |                                  | .XX±.01/0.3      |                       |    | dwg no<br>67996  |    |
| CR                             | V21675   | GIP                                   | 10/22/02 |                                  | .xxx±.005/0.13   |                       |    | sheet 1 of 8 size<br>A3                                |    |
| CS                             | V21800   | TAB                                   | 12/19/03 | 0'±2'                            | .xxx±.0020/0.051 |                       |    | type Product Customer Drawing                          |    |
| CT                             | v03-0257 | DAI                                   | 03/05/03 | dr                               | T.BREWBAKER      | 12/21/94              |    |  |    |
| CU                             | M04-0234 | MHT                                   | 12/29/04 | engr                             | T.HANNA          | 12/21/94              |    |  |    |
| CV                             | M05-0072 | MHT                                   | 5/03/05  | chr                              | J.MURPHY         | 12/21/94              |    |  |    |
| CW                             | M06-0268 | MHT                                   | 7/17/06  | appd                             | T.HANNA          | 12/21/94              |    |  |    |
| sheet                          | revision | CW                                    | CW       | CW                               | CW               | CW                    | CW | CW   | CW |
| index                          | sheet    | 1                                     | 2        | 3                                | 4                | 5                     | 6  | 7  | 8  |

| PIN PLATING CODES: |   |
|--------------------|---|
| XXXX-1YY           | 30u"/0.76u MIN (SEE NOTE 14) OVER 50u"/1.27u MIN Ni                 |
| XXXX-2YY           | 15u"/0.38u MIN (SEE NOTE 14) OVER 50u"/1.27u MIN Ni                 |
| XXXX-3YY           | 50u"/1.27u MIN Au OVER 50u"/1.27u MIN Ni                            |
| XXXX-4YY           | TIN LEAD OPTION 120u"/3.05u MIN 93/7 SnPb OVER 50u"/1.27u MIN Ni    |
|                    | LF OPTION 100u"/2.54u MIN Sn OVER 50u"/1.27u MIN Ni (SEE NOTE 1,15) |
| XXXX-5YY           | 15u"/0.38u MIN (SEE NOTE 14) OVER 50u"/1.27u MIN Ni                 |
| XXXX-6YY           | 30u"/0.76u MIN (SEE NOTE 14) OVER 50u"/1.27u MIN Ni                 |
| XXXX-7YY           | 30u"/0.76u MIN Au OVER 50u"/1.27u MIN Ni                            |
| XXXX-8YY           | 15u"/0.38u MIN Au OVER 50u"/1.27u MIN Ni                            |
| XXXX-9YY           | 15u"/0.38u MIN GXT OVER 50u"/1.27u MIN Ni                           |
| XXXX-0YY           | 30u"/0.76u MIN GXT OVER 50u"/1.27u MIN Ni                           |

NOTES

- ① PART NUMBER OPTIONS:  
PIN PLATING CODES (SEE ABOVE)
  
- HIGH TEMPERATURE MATERIAL:  
FOR HIGH-TEMPERATURE APPLICATIONS, SPECIFY AN "H" AT THE END OF THE PART NUMBER, AND PCT WILL BE SUPPLIED.
  
- NUMBER OF POSITIONS :  
EVEN NUMBER OF POSITIONS FROM 2 (2X1) THROUGH 72 (2X36).  
-X00H INDICATES BERGSTRIK PRODUCT. SEE PAGE 3 FOR SPECIAL GEOMETRY OF THIS CONTINUOUS STRIP PRODUCT. AUTOMATED REELS WILL CONTAIN 45,000 PINS. SEE SPECIFIC PART NUMBERS FOR AVAILABILITY.
  
- PACKAGING:  
PACKAGED IN POLY BAGS.  
EIGHT DIGIT PART NUMBERS FOLLOWED BY A "T" ARE PACKAGED IN TUBES. SEE SPECIFIC PART NUMBERS FOR AVAILABILITY.  
EIGHT DIGIT PART NUMBERS FOLLOWED BY A "G" ARE PACKAGED IN GPAX FOR IBM ONLY. SEE SPECIFIC PART NUMBERS FOR AVAILABILITY.  
PART NUMBERS FOLLOWED BY A "C" ARE PACKAGED IN TUBES WITH A PICKUP CAP APPLIED.
  
- LEAD FREE:  
ADD "HLF" SUFFIX AT THE END OF PART NUMBER FOR LEAD FREE OPTION, NOT AVAILABLE FOR -5YY,-5YYH, -6YY & -6YYH

- ② BODY MATERIAL:  
BODY MATERIAL : MANUFACTURER'S OPTION OF NYLON OR PCT, GLASS FIBER REINFORCED, FLAME RETARDANT PER UL-94V-0. COLOR: BLACK  
BERGSTRIK™ PRODUCED WITH HIGH TEMPERATURE LCP THERMOPLASTIC, FLAME RETARDANT PER UL-94V-0. COLOR: BLACK  
PART NUMBERS WITH "H" SUFFIX WILL WITHSTAND EXPOSURE TO 260° C PEAK TEMPERATURE FOR 20 SECONDS IN WAVE SOLDER, INFRA-RED OR VAPOR PHASE SOLDER PROCESS.  
PART NUMBERS WITHOUT "H" SUFFIX WILL WITHSTAND EXPOSURE TO 260° C PEAK TEMPERATURE FOR WAVE SOLDER PROCESS.
  
- ③ PIN MATERIAL: PHOS BRONZE.
  
- ④ MEASURED WITH PART IN RESTRAINED CONDITION.  
5. TWO SIDES OF PIN TIPS NOT PLATED. TYPICAL BOTH ENDS.
  
- ⑥ 2LBS/0.9KG MIN PIN RETENTION IN EITHER DIRECTION.
  
- 7. MILITARY BERGSTIK HEADER  
P/N XXXXX-YYY-MIL  
NOT AVAILABLE.
  
- ⑧ ±.010/0.25 TOL APPLIES TO ALL "G" TAILS EXCEPT INDICATED PARTS ON TABLE WHERE +.010/0.25 -.000/0.00 APPLIES.
  
- ⑨ NOTCH CONFIGURATION WILL VARY PER VENDOR'S DISCRETION.
  
- ⑩ BERGSTRIK™ PART NUMBERS FOLLOWED BY BY A "B" ARE BULK PRICED.
  
- ⑪ TAIL LENGTH (DIM. G) TO BE ±.008/.020.
  
- 12. POSITIONS PER ROW 37 TO 50 CAN BE PRODUCED, BUT FLATNESS AND CURVATURE MAY NOT BE HELD AS CLOSE AS 36 POSITIONS.
  
- ⑬ THESE PRODUCTS MEETS EUROPEAN UNION DIRECTIVES AND OTHER COUNTRY REGULATION AS DESCRIBED IN GS-22-008.
  
- ⑭ PLATING OPTIONS:  
MAY BE EITHER GOLD OR GXT PLATED AT MANUFACTURER'S OPTION.
  
- ⑮ "THIS PRODUCT HAS 100% TIN PLATING IN THE INTERFACE AND HAS NOT BEEN TESTED FOR WHISKER GROWTH IN ALL INTERCONNECT ENVIRONMENTS."



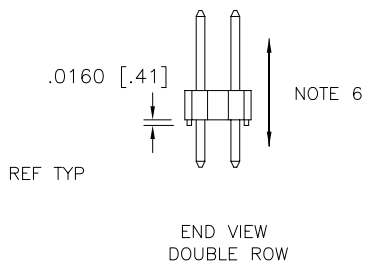
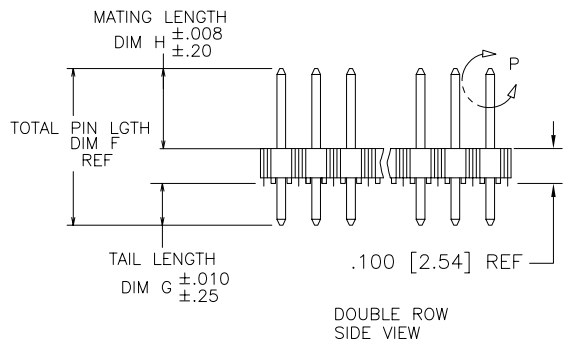
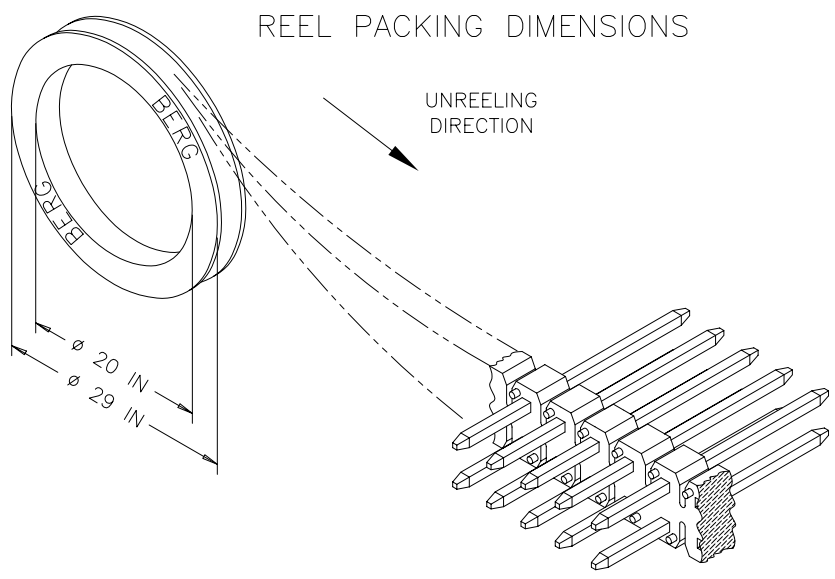
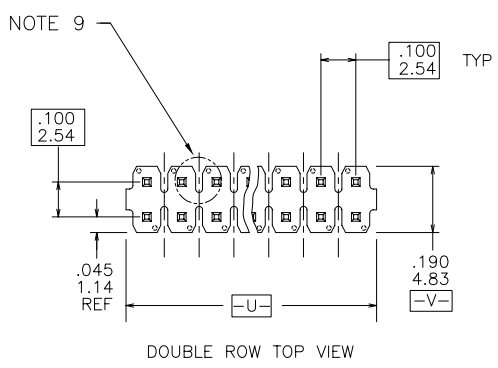
FCIconnect.com

Copyright FCI

|                                |                |                       |                                  |                 |   |
|--------------------------------|----------------|-----------------------|----------------------------------|-----------------|---|
| mat'l. code<br>SEE NOTES 2 & 3 |                | surface<br>ISO 1302 ✓ | tolerance<br>ISO 406<br>ISO 1101 | projection<br>⊕ | product family<br>BERGSTIK  |
| ltr                            | ecn            | no                    | dr                               | date            | tolerances unless otherwise specified                                 |
| CW                             |                |                       |                                  |                 | angles linear .XX±.01/0.3<br>.xxx±.005/0.13<br>0'±2' .xxx±.0020/0.051 |
|                                |                |                       |                                  |                 | INCH/MM<br>scale 1:1  |
|                                |                |                       |                                  |                 | title<br>BERGSTIK® II HDR. D/R<br>.100/2.54cc STRAIGHT                |
|                                |                |                       |                                  |                 | dwg no<br>67996   |
|                                |                |                       |                                  |                 | sheet 2 of 8 size<br>A3   |
|                                |                |                       |                                  |                 | type<br>Product Customer Drawing                                      |
| sheet index                    | revision sheet |                       |                                  |                 |   |

1 2 3 4 5 6

BERGSTRIPTM HEADER



FCI  
FCIconnect.com

Copyright FCI

|                                |  |                       |  |                                  |  |  |  |  |  |
|--------------------------------|--|-----------------------|--|----------------------------------|--|--|--|--|--|
| mat'l. code<br>SEE NOTES 2 & 3 |  | surface<br>ISO 1302 ✓ |  | tolerance<br>ISO 406<br>ISO 1101 |  | projection<br>INCH/MM  |  | product family<br>BERGSTIK                   |  |
| ltr                            |  | ecn no dr             |  | date                             |  | tolerances unless otherwise specified                            |  | title  |  |
| CW                             |  |                       |  |                                  |  | angles linear .xx±.01/0.3<br>.xxx±.005/0.13<br>.xxxx±.0020/0.051 |  | BERGSTIK®II HDR. D/R<br>.100/2.54cc STRAIGHT |  |
|                                |  |                       |  |                                  |  | 0°±2'  |  | scale 1:1                                    |  |
|                                |  | dr                    |  | T.BREWBAKER 12/21/94             |  | FCI  |  | dwg no sheet 3 of 8 size                     |  |
|                                |  | enr                   |  | T.HANNA 12/21/94                 |  |  |  | 67996 A3                                     |  |
|                                |  | chr                   |  | J.MURPHY 12/21/94                |  |  |  |  |  |
|                                |  | appd                  |  | T.HANNA 12/21/94                 |  |  |  | type Product Customer Drawing                |  |
| sheet index                    |  | revision sheet        |  |                                  |  |  |  |  |  |

form: A3 1 2 3 4 5 6

| PRODUCT NUMBER | 1   TOT. PIN LGTH. |        | 2   3   MATING LENGTH |        |         |        | PACKAGING       | NOTES | BERGSTRIIP™<br>AVAILABLE | LF<br>OPTION |
|----------------|--------------------|--------|-----------------------|--------|---------|--------|-----------------|-------|--------------------------|--------------|
|                | DIM F              | DIM F  | DIM G                 | DIM G  | DIM H   | DIM H  |                 |       |                          |              |
|                | ENGLISH            | METRIC | ENGLISH               | METRIC | ENGLISH | METRIC |                 |       |                          |              |
| 55005-XYH      | 0.597              | 15.16  | 0.095                 | 2.41   | 0.402   | 10.21  | POLY BAGS       | -     | YES                      | NOTE 1,13    |
| 55030-XYH      | 0.630              | 16.00  | 0.150                 | 3.81   | 0.380   | 9.65   | POLY BAGS       | -     | YES                      |              |
| 67996-XYH      | 0.425              | 10.80  | 0.095                 | 2.41   | 0.230   | 5.84   | POLY BAGS/TUBES | -     | YES                      |              |
| 67997-XYH      | 0.450              | 11.43  | 0.120                 | 3.05   | 0.230   | 5.84   | POLY BAGS/TUBES | -     | YES                      |              |
| 67997-XYH      | 0.450              | 11.43  | 0.120                 | 3.05   | 0.230   | 5.84   | POLY BAGS/TUBES | -     | YES                      |              |
| 67998-XYH      | 0.525              | 13.34  | 0.107                 | 2.72   | 0.318   | 8.08   | POLY BAGS/TUBES | -     | YES                      |              |
| 67999-XYH      | 0.548              | 13.92  | 0.130                 | 3.30   | 0.318   | 8.08   | POLY BAGS       | -     | NO                       |              |
| 68438-XYH      | 0.555              | 14.10  | 0.225                 | 5.72   | 0.230   | 5.84   | POLY BAGS/TUBES | -     | NO                       |              |
| 68439-XYH      | 0.720              | 18.29  | 0.120                 | 3.05   | 0.500   | 12.70  | POLY BAGS       | -     | NO                       |              |
| 68464-XYH      | 0.650              | 16.51  | 0.120                 | 3.05   | 0.430   | 10.92  | POLY BAGS/TUBES | -     | NO                       |              |
| 68481-XYH      | 0.480              | 12.19  | 0.095                 | 2.41   | 0.285   | 7.24   | POLY BAGS/TUBES | -     | NO                       |              |
| 68482-XYH      | 0.938              | 23.83  | 0.318                 | 8.08   | 0.520   | 13.21  | POLY BAGS       | -     | NO                       |              |
| 68491-XYH      | 0.475              | 12.07  | 0.120                 | 3.05   | 0.255   | 6.48   | POLY BAGS/TUBES | -     | NO                       |              |
| 68600-XYH      | 0.825              | 20.96  | 0.115                 | 2.92   | 0.610   | 15.49  | POLY BAGS       | -     | NO                       |              |
| 68601-XYH      | 0.620              | 15.75  | 0.120                 | 3.05   | 0.400   | 10.16  | POLY BAGS       | -     | NO                       |              |
| 68602-XYH      | 0.480              | 12.19  | 0.150                 | 3.81   | 0.230   | 5.84   | POLY BAGS       | -     | NO                       |              |
| 68690-XYH      | 0.533              | 13.54  | 0.115                 | 2.92   | 0.318   | 8.08   | POLY BAGS       | -     | NO                       |              |
| 68691-XYH      | 0.538              | 13.67  | 0.120                 | 3.05   | 0.318   | 8.08   | POLY BAGS       | -     | YES                      |              |
| 68692-XYH      | 0.430              | 10.92  | 0.100                 | 2.54   | 0.230   | 5.84   | POLY BAGS       | -     | NO                       |              |
| 68693-XYH      | 0.938              | 23.83  | 0.520                 | 13.21  | 0.318   | 8.08   | POLY BAGS       | -     | NO                       |              |
| 68716-XYH      | 0.828              | 21.03  | 0.410                 | 10.41  | 0.318   | 8.08   | POLY BAGS       | -     | NO                       |              |
| 68734-XYH      | 0.615              | 15.62  | 0.230                 | 5.84   | 0.285   | 7.24   | POLY BAGS       | -     | NO                       |              |
| 68737-XYH      | 0.440              | 11.18  | 0.110                 | 2.79   | 0.230   | 5.84   | POLY BAGS       | -     | YES                      |              |
| 68738-XYH      | 0.615              | 15.62  | 0.115                 | 2.92   | 0.400   | 10.16  | POLY BAGS       | -     | NO                       |              |
| 68739-XYH      | 0.486              | 12.34  | 0.156                 | 3.96   | 0.230   | 5.84   | POLY BAGS       | -     | NO                       |              |
| 68743-XYH      | 0.638              | 16.21  | 0.220                 | 5.59   | 0.318   | 8.08   | POLY BAGS       | -     | NO                       |              |
| 68749-XYH      | 0.838              | 21.29  | 0.420                 | 10.67  | 0.318   | 8.08   | POLY BAGS       | -     | NO                       |              |
| 68779-XYH      | 0.736              | 18.69  | 0.318                 | 8.08   | 0.318   | 8.08   | POLY BAGS       | -     | NO                       |              |
| 68783-XYH      | 0.375              | 9.53   | 0.045                 | 1.14   | 0.230   | 5.84   | POLY BAGS       | -     | NO                       |              |
| 68799-XYH      | 0.925              | 23.50  | 0.595                 | 15.11  | 0.230   | 5.84   | POLY BAGS       | -     | NO                       |              |



FCIconnect.com

Copyright FCI

|                                |  |                       |  |                                       |  |                 |  |  |  |
|--------------------------------|--|-----------------------|--|---------------------------------------|--|-----------------|--|--|--|
| mat'l. code<br>SEE NOTES 2 & 3 |  | surface<br>ISO 1302 ✓ |  | tolerance<br>ISO 406<br>ISO 1101      |  | projection<br>⊕ |  | product family<br>BERGSTIK                             |  |
| ltr ecn no dr                  |  | date                  |  | tolerances unless otherwise specified |  | INCH/MM         |  | title<br>BERGSTIK® II HDR. D/R<br>.100/2.54cc STRAIGHT |  |
| CW                             |  |                       |  | angles linear .XX±.01/0.3             |  | scale 1:1       |  | dwg no sheet 4 of 8 size<br>67996 A3                   |  |
|                                |  |                       |  | 0'±2'                                 |  |                 |  | type Product Customer Drawing                          |  |
|                                |  |                       |  | dr T.BREWBAKER 12/21/94               |  |                 |  |  |  |
|                                |  |                       |  | enr T.HANNA 12/21/94                  |  |                 |  |  |  |
|                                |  |                       |  | chr J.MURPHY 12/21/94                 |  |                 |  |  |  |
|                                |  |                       |  | appd T.HANNA 12/21/94                 |  |                 |  |  |  |
| sheet index                    |  | revision sheet        |  |                                       |  |                 |  |  |  |

form: A3 1 2 3 4 5 6

| PRODUCT NUMBER | TOT. PIN LGTH. |             | TAIL LENGTH |             | MATING LENGTH |             | PACKAGING       | NOTES   | BERGSTRIPTM AVAILABLE | LF OPTION |
|----------------|----------------|-------------|-------------|-------------|---------------|-------------|-----------------|---------|-----------------------|-----------|
|                | DIM F          | DIM F       | DIM G       | DIM G       | DIM H         | DIM H       |                 |         |                       |           |
|                | ENGLISH        | METRIC      | ENGLISH     | METRIC      | ENGLISH       | METRIC      |                 |         |                       |           |
| 69132-YYY      | 0.760          | 19.30       | 0.120       | 3.05        | 0.540         | 13.72       | POLY BAGS/TUBES | -       | NO                    | NOTE 1,13 |
| 69133-YYY      | 0.615          | 15.62       | 0.285       | 7.24        | 0.230         | 5.84        | POLY BAGS       | -       | NO                    |           |
| 69157-YYY      | 0.410          | 10.41       | 0.110       | 2.79        | 0.200         | 5.08        | POLY BAGS       | -       | NO                    |           |
| 71217-YYYH     | 1.000          | 25.40       | 0.450       | 11.43       | 0.450         | 11.43       | POLY BAGS       | -       | NO                    |           |
| 71222-YYYH     | 0.850          | 21.59       | 0.250       | 6.35        | 0.500         | 12.70       | POLY BAGS       | -       | NO                    |           |
| 72273-YYYH     | 0.725          | 18.42       | 0.110       | 2.79        | 0.515         | 13.08       | POLY BAGS       | -       | NO                    |           |
| 72448-YYYH     | 0.658          | 16.71       | 0.172       | 4.37        | 0.386         | 9.80        | POLY BAGS       | -       | NO                    |           |
| 72455-YYYH     | 0.598          | 15.19       | 0.180       | 4.57        | 0.318         | 8.08        | POLY BAGS       | -       | NO                    |           |
| 72455-632HG    | 0.598          | 15.19       | 0.180       | 4.57        | 0.318         | 8.08        | GPAX            | NOTE 1  | NO                    |           |
| 73503-YYYH     | 0.420          | 10.67       | 0.120       | 3.05        | 0.200         | 5.08        | POLY BAGS       | -       | NO                    |           |
| 73596-YYYH     | 0.795          | 20.19       | 0.110       | 2.79        | 0.585         | 14.86       | POLY BAGS       | -       | NO                    |           |
| 74317-YYYH     | 0.532          | 13.51       | 0.309       | 7.85        | 0.123         | 3.12        | POLY BAGS       | NOTE 11 | NO                    |           |
| 74318-YYYH     | 0.592          | 15.04       | 0.369       | 9.37        | 0.123         | 3.12        | POLY BAGS       | NOTE 11 | NO                    |           |
| 74999-YYYH     | 0.508          | 12.90       | 0.090       | 2.29        | 0.318         | 8.08        | POLY BAGS       | -       | NO                    |           |
| 78212-YYY      | 0.710          | 18.03       | 0.350       | 8.89        | 0.260         | 6.60        | POLY BAGS       | -       | NO                    |           |
| 78233-YYY      | 0.568          | 14.43       | 0.150       | 3.81        | 0.318         | 8.08        | POLY BAGS       | -       | NO                    |           |
| 78269-YYY      | 0.385          | 9.78        | 0.095       | 2.41        | 0.190         | 4.83        | POLY BAGS       | -       | NO                    |           |
| 78286-YYY      | 0.500          | 12.70       | 0.160       | 4.06        | 0.240         | 6.10        | POLY BAGS/TUBES | -       | NO                    |           |
| 78932-YYY      |                | UNAVAILABLE |             | UNAVAILABLE |               | UNAVAILABLE |                 | -       | -                     |           |
| 78933-YYY      | 0.695          | 17.65       | 0.285       | 7.24        | 0.310         | 7.87        | POLY BAGS       | -       | NO                    |           |
| 78988-YYY      | 0.540          | 13.72       | 0.135       | 3.43        | 0.305         | 7.75        | POLY BAGS       | -       | NO                    |           |
| 78989-YYY      |                | UNAVAILABLE |             | UNAVAILABLE |               | UNAVAILABLE |                 | -       | -                     |           |
| 78990-YYY      |                | UNAVAILABLE |             | UNAVAILABLE |               | UNAVAILABLE |                 | -       | -                     |           |
| 78991-YYY      |                | UNAVAILABLE |             | UNAVAILABLE |               | UNAVAILABLE |                 | -       | -                     |           |
| 78992-YYY      |                | UNAVAILABLE |             | UNAVAILABLE |               | UNAVAILABLE |                 | -       | -                     |           |
| 78993-YYY      |                | UNAVAILABLE |             | UNAVAILABLE |               | UNAVAILABLE |                 | -       | -                     |           |
| 78994-YYY      |                | UNAVAILABLE |             | UNAVAILABLE |               | UNAVAILABLE |                 | -       | -                     |           |

NOTE 1,13



FCIconnect.com

Copyright FCI

|                                |                |                       |                                  |                 |                                       |
|--------------------------------|----------------|-----------------------|----------------------------------|-----------------|---------------------------------------|
| mat'l. code<br>SEE NOTES 2 & 3 |                | surface<br>ISO 1302 ✓ | tolerance<br>ISO 406<br>ISO 1101 | projection<br>⊕ | product family<br>BERGSTIK            |
| ltr                            | ecn            | no                    | dr                               | date            | tolerances unless otherwise specified |
| CW                             |                |                       |                                  |                 | .XX±.01/0.3                           |
|                                |                |                       |                                  |                 | linear .XXX±.005/0.13                 |
|                                |                |                       |                                  |                 | 0'±2' .XXX±.0020/0.051                |
|                                |                |                       | dr                               | T.BREWBAKER     | 12/21/94                              |
|                                |                |                       | enr                              | T.HANNA         | 12/21/94                              |
|                                |                |                       | chr                              | J.MURPHY        | 12/21/94                              |
|                                |                |                       | appd                             | T.HANNA         | 12/21/94                              |
| sheet index                    | revision sheet |                       |                                  |                 |                                       |



title  
BERGSTIK®II HDR. D/R  
.100/2.54cc STRAIGHT

scale 1:1

dwg no 67996 sheet 5 of 8 size A3

type Product Customer Drawing

| PRODUCT NUMBER | TOT. PIN LGTH. |             | TAIL LENGTH |             | MATING LENGTH |             | PACKAGING | NOTES  | BERGSTRIPTM<br>AVAILABLE | LF<br>OPTION |
|----------------|----------------|-------------|-------------|-------------|---------------|-------------|-----------|--------|--------------------------|--------------|
|                | DIM F          | DIM F       | DIM G       | DIM G       | DIM H         | DIM H       |           |        |                          |              |
|                | ENGLISH        | METRIC      | ENGLISH     | METRIC      | ENGLISH       | METRIC      |           |        |                          |              |
| 78995-YYY      | UNAVAILABLE    | UNAVAILABLE | UNAVAILABLE | UNAVAILABLE | UNAVAILABLE   | UNAVAILABLE |           |        |                          | NOTE 1,13    |
| 78996-YYY      | UNAVAILABLE    | UNAVAILABLE | UNAVAILABLE | UNAVAILABLE | UNAVAILABLE   | UNAVAILABLE |           |        |                          |              |
| 79242-YYY      | 0.930          | 23.62       | 0.340       | 8.64        | 0.490         | 12.45       | POLY BAGS |        | NO                       |              |
| 79243-YYY      | 1.230          | 31.24       | 0.390       | 9.91        | 0.740         | 18.80       | POLY BAGS |        | NO                       |              |
| 79244-YYY      | UNAVAILABLE    | UNAVAILABLE | UNAVAILABLE | UNAVAILABLE | UNAVAILABLE   | UNAVAILABLE |           |        |                          |              |
| 79268-YYY      | 1.020          | 25.91       | 0.120       | 3.05        | 0.800         | 20.32       | POLY BAGS |        | NO                       |              |
| 79271-YYY      | 1.100          | 27.94       | 0.500       | 12.70       | 0.500         | 12.70       | POLY BAGS |        | NO                       |              |
| 79425-YYY      | 0.410          | 10.41       | 0.120       | 3.05        | 0.190         | 4.83        | POLY BAGS |        | NO                       |              |
| 79821-YYY      | 0.730          | 18.54       | 0.200       | 5.08        | 0.430         | 10.92       | POLY BAGS |        | NO                       |              |
| 84610-YYYH     | 0.380          | 9.65        | 0.120       | 3.05        | 0.160         | 4.06        | POLY BAGS |        | NO                       |              |
| 84760-YYYH     | 0.870          | 22.09       | 0.150       | 3.81        | 0.620         | 15.74       | POLY BAGS |        | NO                       |              |
| 84784-YYYH     | 1.130          | 28.70       | 0.122       | 3.09        | 0.908         | 23.06       | POLY BAGS |        | NO                       |              |
| 84934-YYYH     | 1.375          | 34.93       | 0.625       | 15.88       | 0.650         | 16.51       | POLY BAGS |        | NO                       |              |
| 84976-YYYH     | 0.730          | 18.54       | 0.400       | 10.16       | 0.230         | 5.84        | POLY BAGS |        | NO                       |              |
| 86503-YYY      | 0.470          | 11.94       | 0.120       | 3.05        | 0.250         | 6.35        | POLY BAGS |        | NO                       |              |
| 86581-YYY      | 0.450          | 11.43       | 0.120       | 3.05        | 0.230         | 5.84        | POLY BAGS | NOTE 8 | NO                       |              |
| 86817-YYY      | 0.925          | 23.50       | 0.120       | 3.05        | 0.705         | 17.91       | POLY BAGS |        | NO                       |              |
| 86827-YYY      | 0.700          | 17.78       | 0.120       | 3.05        | 0.480         | 12.19       | POLY BAGS |        | NO                       |              |
| 86832-YYY      | 0.525          | 13.34       | 0.100       | 2.54        | 0.325         | 8.26        | POLY BAGS |        | NO                       |              |
| 86834-YYY      | 1.335          | 33.91       | 0.585       | 14.86       | 0.650         | 16.51       | POLY BAGS |        | NO                       |              |
| 86836-YYY      | 0.870          | 22.10       | 0.120       | 3.05        | 0.650         | 16.51       | POLY BAGS |        | NO                       |              |
| 86837-YYY      | 0.600          | 15.24       | 0.120       | 3.05        | 0.380         | 9.65        | POLY BAGS |        | NO                       |              |
| 87037-YYY      | 1.240          | 31.50       | 0.120       | 3.05        | 1.020         | 25.91       | POLY BAGS |        | NO                       |              |
| 87052-YYY      | 0.990          | 25.15       | 0.120       | 3.05        | 0.770         | 19.56       | POLY BAGS |        | NO                       |              |
| 87203-YYY      | 0.545          | 13.84       | 0.150       | 3.81        | 0.295         | 7.49        | POLY BAGS |        | NO                       |              |
| 87344-YYY      | 1.375          | 34.93       | 0.219       | 5.56        | 1.056         | 26.82       | POLY BAGS |        | NO                       | NOTE 1,13    |



FCIconnect.com

Copyright FCI

|                                |  |                       |  |                                  |  |                                       |  |                               |  |
|--------------------------------|--|-----------------------|--|----------------------------------|--|---------------------------------------|--|-------------------------------|--|
| mat'l. code<br>SEE NOTES 2 & 3 |  | surface<br>ISO 1302 ✓ |  | tolerance<br>ISO 406<br>ISO 1101 |  | projection<br>⊕                       |  | product family<br>BERGSTIK    |  |
| ltr                            |  | ecn no                |  | date                             |  | tolerances unless otherwise specified |  | title                         |  |
| CW                             |  |                       |  |                                  |  | .xx±.01/0.3                           |  | BERGSTIK®II HDR. D/R          |  |
|                                |  |                       |  |                                  |  | .xxx±.005/0.13                        |  | .100/2.54cc STRAIGHT          |  |
|                                |  |                       |  |                                  |  | .xxx±.0020/0.051                      |  | scale 1:1                     |  |
|                                |  |                       |  | dr T.BREWBAKER 12/21/94          |  | FCI                                   |  | dwg no sheet 6 of 8 size      |  |
|                                |  |                       |  | enr T.HANNA 12/21/94             |  |                                       |  | 67996 A3                      |  |
|                                |  |                       |  | chr J.MURPHY 12/21/94            |  |                                       |  |                               |  |
|                                |  |                       |  | appd T.HANNA 12/21/94            |  |                                       |  | type Product Customer Drawing |  |
| sheet index                    |  | revision sheet        |  |                                  |  |                                       |  |                               |  |

form: A3 1 2 3 4 5 6

| PRODUCT NUMBER | TOT. PIN LGTH. |        | TAIL LENGTH |        | MATING LENGTH |        | PACKAGING       | NOTES  | BERGSTRIPT™<br>AVAILABLE | LF<br>OPTION |
|----------------|----------------|--------|-------------|--------|---------------|--------|-----------------|--------|--------------------------|--------------|
|                | DIM F          | DIM F  | DIM G       | DIM G  | DIM H         | DIM H  |                 |        |                          |              |
|                | ENGLISH        | METRIC | ENGLISH     | METRIC | ENGLISH       | METRIC |                 |        |                          |              |
| 87345-YYY      | 1.218          | 30.94  | 0.406       | 10.31  | 0.712         | 18.08  | POLY BAGS       | -      | NO                       | NOTE 1,13    |
| 87348-YYY      | 0.930          | 23.62  | 0.100       | 2.54   | 0.730         | 18.54  | POLY BAGS       | -      | NO                       |              |
| 87349-YYY      | 0.890          | 22.61  | 0.110       | 2.79   | 0.680         | 17.27  | POLY BAGS       | -      | NO                       |              |
| 87381-YYY      | 0.645          | 16.38  | 0.100       | 2.54   | 0.445         | 11.30  | POLY BAGS       | -      | NO                       |              |
| 87382-YYY      | 0.675          | 17.15  | 0.100       | 2.54   | 0.475         | 12.07  | POLY BAGS       | -      | NO                       |              |
| 87503-YYYH     | 0.630          | 16.00  | 0.110       | 2.79   | 0.420         | 10.67  | POLY BAGS       | -      | NO                       |              |
| 87869-YYY      | 0.690          | 17.53  | 0.230       | 5.84   | 0.360         | 9.14   | POLY BAGS       | -      | NO                       |              |
| 87894-YYY      | 0.588          | 14.94  | 0.170       | 4.32   | 0.318         | 8.08   | POLY BAGS       | -      | NO                       |              |
| 87900-YYY      | 0.940          | 23.88  | 0.120       | 3.05   | 0.720         | 18.29  | POLY BAGS       | -      | NO                       |              |
| 87901-YYY      | 1.040          | 26.42  | 0.120       | 3.05   | 0.820         | 20.83  | POLY BAGS       | -      | NO                       |              |
| 87903-YYY      | 0.963          | 24.46  | 0.337       | 8.56   | 0.526         | 13.36  | POLY BAGS       | -      | NO                       |              |
| 88797-YYY      | 0.950          | 24.13  | 0.320       | 8.13   | 0.530         | 13.46  | POLY BAGS       | -      | NO                       |              |
| 88812-YYY      | 0.415          | 10.54  | 0.085       | 2.16   | 0.230         | 5.84   | POLY BAGS/TUBES | NOTE 8 | NO                       |              |
| 88886-YYY      | 1.306          | 33.17  | 0.276       | 7.01   | 0.930         | 23.62  | POLY BAGS       | -      | NO                       |              |
| 89446-YYY      | 0.930          | 23.62  | 0.120       | 3.05   | 0.710         | 18.03  | POLY BAGS       | -      | NO                       |              |
| 89540-YYY      | 0.760          | 19.30  | 0.280       | 7.11   | 0.380         | 9.65   | POLY BAGS       | -      | NO                       |              |
| 89542-YYY      | 1.065          | 27.05  | 0.125       | 3.18   | 0.840         | 21.34  | POLY BAGS       | -      | NO                       |              |
| 89639-YYY      | 1.260          | 32.00  | 0.118       | 3.00   | 1.042         | 26.47  | POLY BAGS       | -      | NO                       |              |
| 91828-YYY      | 0.450          | 11.43  | 0.120       | 3.05   | 0.230         | 5.84   | TUBES           | -      | NO                       |              |
| 92417-YYY      | 0.530          | 13.46  | 0.110       | 2.79   | 0.320         | 8.13   | POLY BAGS       | -      | NO                       |              |
| 93216-YYYH     | 0.573          | 14.55  | 0.155       | 3.94   | 0.318         | 8.08   | POLY BAGS/TUBES | -      | NO                       |              |
| 93216-632HG    | 0.573          | 14.55  | 0.155       | 3.94   | 0.318         | 8.08   | GPAX            | NOTE 1 | NO                       |              |
| 93217-YYYH     | 0.395          | 10.03  | 0.095       | 2.41   | 0.200         | 5.08   | POLY BAGS       | -      | NO                       |              |
| 93254-YYY      | 0.563          | 14.30  | 0.110       | 2.79   | 0.353         | 8.97   | POLY BAGS       | -      | NO                       |              |



FCJconnect.com

Copyright FCJ

|                                |                |                       |                                  |                 |   |
|--------------------------------|----------------|-----------------------|----------------------------------|-----------------|---|
| mat'l. code<br>SEE NOTES 2 & 3 |                | surface<br>ISO 1302 ✓ | tolerance<br>ISO 406<br>ISO 1101 | projection<br>⊕ | product family<br>BERGSTIK  |
| ltr                            | ecn            | no                    | dr                               | date            | tolerances unless otherwise specified                                 |
| CW                             |                |                       |                                  |                 | angles .XX±.01/0.3<br>linear .xxx±.005/0.13<br>0'±2' .xxx±.0020/0.051 |
|                                |                |                       |                                  |                 | INCH/MM<br>scale 1:1  |
|                                |                |                       | dr                               | T.BREWBAKER     | 12/21/94  |
|                                |                |                       | enr                              | T.HANNA         | 12/21/94  |
|                                |                |                       | chr                              | J.MURPHY        | 12/21/94  |
|                                |                |                       | appd                             | T.HANNA         | 12/21/94  |
| sheet index                    | revision sheet |                       |                                  |                 |   |



title  
BERGSTIK®II HDR. D/R  
.100/2.54cc STRAIGHT

dwg no 67996 sheet 7 of 8 size A3

type Product Customer Drawing

| PRODUCT NUMBER | TOT. PIN LGTH. |        | TAIL LENGTH |        | MATING LENGTH |        | PACKAGING | NOTES | BERGSTRIPTM<br>AVAILABLE | LF<br>OPTION   |
|----------------|----------------|--------|-------------|--------|---------------|--------|-----------|-------|--------------------------|----------------|
|                | DIM F          | DIM F  | DIM G       | DIM G  | DIM H         | DIM H  |           |       |                          |                |
|                | ENGLISH        | METRIC | ENGLISH     | METRIC | ENGLISH       | METRIC |           |       |                          |                |
| 94010-YYYH     | 0.756          | 19.20  | 0.350       | 8.89   | 0.306         | 7.77   | POLY BAGS | -     | NO                       | NOTE 1,13<br>↓ |
| 94532-YYYH     | 1.250          | 31.75  | 0.450       | 11.43  | 0.700         | 17.78  | POLY BAGS | -     | NO                       |                |
| 95105-YYY      | 0.370          | 9.40   | 0.126       | 3.20   | 0.144         | 3.66   | POLY BAGS | -     | NO                       |                |
| 95645-YYYH     | 0.350          | 8.89   | 0.100       | 2.54   | 0.150         | 3.81   | POLY BAGS | -     | NO                       |                |
| 95652-YYYH     | 0.500          | 12.70  | 0.070       | 1.78   | 0.330         | 8.38   | POLY BAGS | -     | NO                       |                |
| 95665-YYYH     | 0.835          | 21.21  | 0.335       | 8.51   | 0.400         | 10.16  | POLY BAGS | -     | NO                       |                |
| 95687-YYYH     | 0.820          | 20.83  | 0.360       | 9.14   | 0.360         | 9.14   | POLY BAGS | -     | NO                       |                |
| 95712-YYYH     | 1.090          | 27.69  | 0.110       | 2.79   | 0.880         | 22.35  | POLY BAGS | -     | NO                       |                |
| 95727-YYYH     | 0.825          | 20.96  | 0.110       | 2.79   | 0.615         | 15.62  | POLY BAGS | -     | NO                       |                |
| 98181-YYYH     | 0.760          | 19.30  | 0.218       | 5.54   | 0.442         | 11.23  | POLY BAGS | -     | NO                       |                |
| 98217-YYYH     | 0.756          | 19.20  | 0.328       | 8.33   | 0.328         | 8.33   | POLY BAGS | -     | NO                       |                |
| 98329-YYYH     | 0.930          | 23.62  | 0.415       | 10.54  | 0.415         | 10.54  | POLY BAGS | -     | NO                       |                |
| 98854-YYYH     | 0.450          | 11.43  | 0.120       | 3.05   | 0.230         | 5.84   | TUBES     | -     | NO                       |                |
| 10017852-YYYH  | 0.450          | 11.43  | 0.125       | 3.18   | 0.225         | 5.72   | POLYBAGS  | -     | NO                       |                |



FCIconnect.com

Copyright FCI

|                                |                |   |                                  |                |  |
|--------------------------------|----------------|---|----------------------------------|----------------|--|
| mat'l. code<br>SEE NOTES 2 & 3 |                | surface<br>ISO 1302 <input checked="" type="checkbox"/> | tolerance<br>ISO 406<br>ISO 1101 | projection<br> | product family<br>BERGSTIK                         |
| ltr                            | ecn            | no  | dr                               | date           | tolerances unless otherwise specified              |
| CW                             |                |   |                                  |                | .XX±.01/0.3<br>.xxx±.005/0.13<br>.xxxx±.0020/0.051 |
|                                |                |   |                                  |                | angles linear<br>0°±2'                             |
|                                |                |   |                                  |                | INCH/MM<br>scale 1:1                               |
|                                |                |   |                                  |                | dr T.BREWBAKER 12/21/94                            |
|                                |                |   |                                  |                | enr T.HANNA 12/21/94                               |
|                                |                |   |                                  |                | chr J.MURPHY 12/21/94                              |
|                                |                |   |                                  |                | appd T.HANNA 12/21/94                              |
| sheet index                    | revision sheet |   |                                  |                |  |
|                                |                |   |                                  |                |  |



title  
BERGSTIK®II HDR. D/R  
.100/2.54cc STRAIGHT

dwg no 67996 sheet 8 of 8 size A3

type Product Customer Drawing