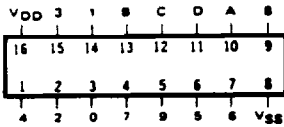
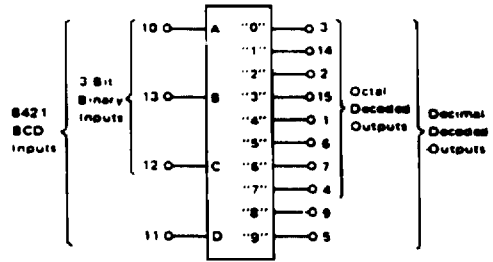


**SCL4028B**

BCD-TO-DECIMAL DECODER



**BLOCK DIAGRAM**



**STATIC CHARACTERISTICS: ( V<sub>SS</sub> = 0 V )**

PARAMETER	CONDITIONS	V <sub>DD</sub> (V <sub>dc</sub> )	T <sub>LOW</sub> * (MIN, MAX)		+25°C (MIN, TYP, MAX)			T <sub>HIGH</sub> ** (MIN, MAX)		UNIT
			MIN	MAX	MIN	TYP	MAX	MIN	MAX	
QUIESCENT DEVICE CURRENT I <sub>DD</sub>	V <sub>IN</sub> = V <sub>SS</sub> OR V <sub>DD</sub>	5		5	0.05	5		150	μA <sub>dc</sub>	
		10		10	0.1	10		300		
		15		20	0.2	20		600		

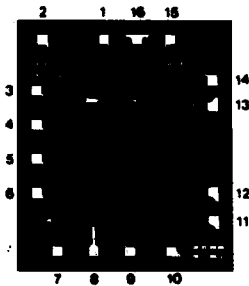
Note: \*T<sub>LOW</sub> = -55°C for C / H devices, -40°C for E / S devices, \*\*T<sub>HIGH</sub> = +125°C for C / H devices, +85°C for E / S devices.

**DYNAMIC CHARACTERISTICS: ( C<sub>L</sub> = 50pF, T<sub>A</sub> = 25°C )**

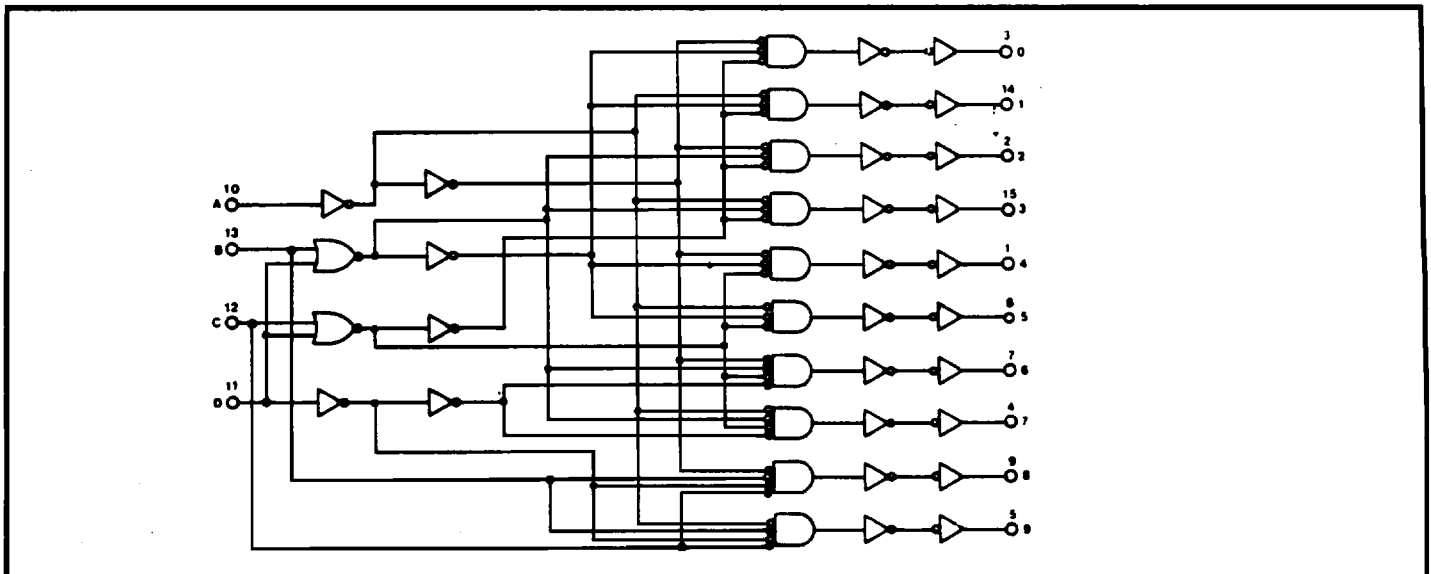
PARAMETER	V <sub>DD</sub> V <sub>dc</sub>	MINIMUM	TYPICAL	MAXIMUM	UNIT
PROPAGATION DELAY TIME t <sub>PLH</sub> , t <sub>PHL</sub>	5		150	300	ns
	10		60	120	
	15		50	100	
OUTPUT TRANSITION TIME t <sub>TLH</sub> , t <sub>THL</sub>	5		90	180	ns
	10		50	100	
	15		40	80	

**DIE DRAWING**

SCL4028B  
66 x 78 mils



**LOGIC DIAGRAM**



Note: Refer to "SCL4000B SERIES FAMILY SPECIFICATIONS" for remaining Dynamic & Static Characteristics, and, for recommended and maximum operating conditions.