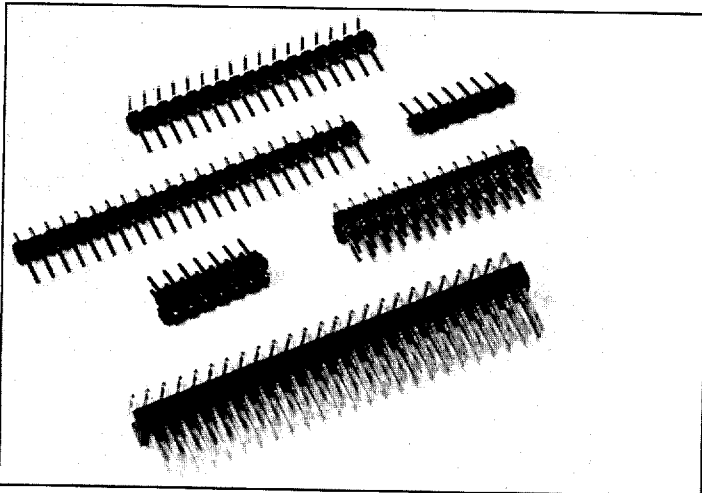


Non-Shrouded Headers



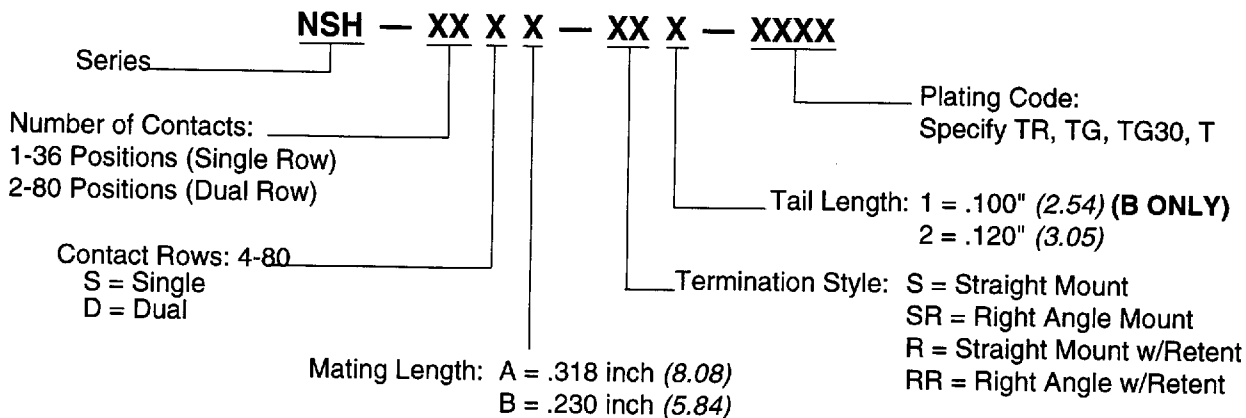
.025" Square Post Headers, .100" spacing

NSH Series



- Single or dual row, straight or right angle
- Available with ROBEX[®], better than gold, plating option
- Notched body design allows fast, easy break-to-length capability — manually or with Robinson Nugent tooling
- Optional retent secures connector to PCB during soldering process

How to Order NSH Series



Materials:

Body: Black thermoplastic, glass-filled
Contacts: Phosphor Bronze

Performance Characteristics:

Current Rating: 1 Ampere
Flammability: UL 94V-0
Temperature Range: -65°C to + 125°C

Agency Approvals:



Plating Description:

Suffix: **TR** = ROBEX[®] [7 μinch (.178 μm) minimum Palladium Nickel with 3 μinch (.076 μm) minimum Gold flash] on contact point.
100 μinch (2.54 μm) Tin/Lead on terminal area.

TG = 10 μinch (.254 μm) minimum Gold on contact area.
100 μinch (2.54 μm) minimum Tin/Lead on terminal area.

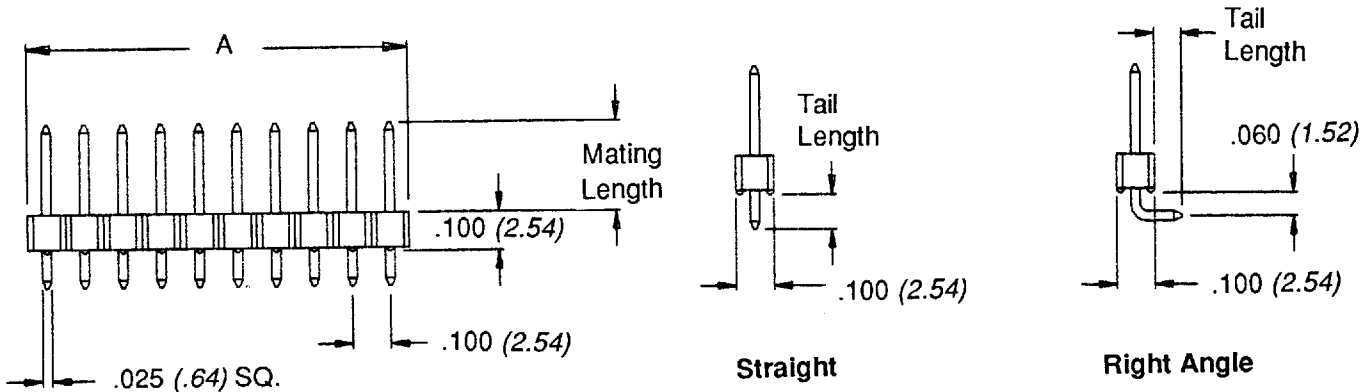
TG30 = 30 μinch (.762 μm) minimum Gold on contact area.
100 μinch (2.54 μm) minimum Tin/Lead on terminal area.

T = 100 μinch (2.54 μm) minimum Tin overall.

All options include an underplate of 50 μinch (1.27 μm) minimum Nickel.

NSH-XXSX-XX-XX

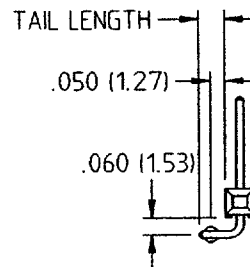
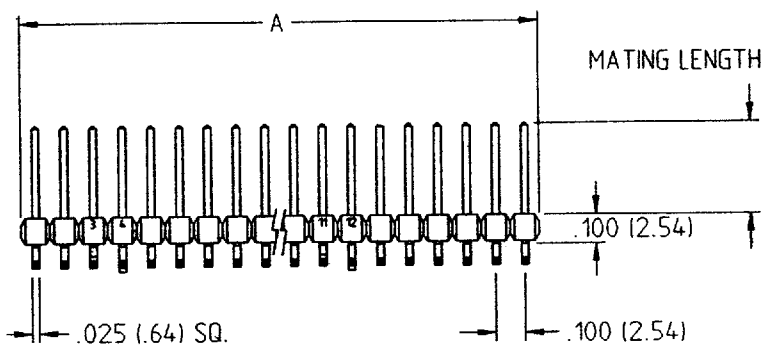
Single Row Without Retent



Dimensions			
Number of Contacts	A	Number of Contacts	A
1	.100 (2.54)	19	1.90 (48.26)
2	.200 (5.08)	20	2.00 (50.80)
3	.300 (7.62)	21	2.10 (53.34)
4	.400 (10.16)	22	2.20 (55.88)
5	.500 (12.70)	23	2.30 (58.42)
6	.600 (15.24)	24	2.40 (60.96)
7	.700 (17.78)	25	2.50 (63.50)
8	.800 (20.32)	26	2.60 (66.04)
9	.900 (22.86)	27	2.70 (68.58)
10	1.00 (25.40)	28	2.80 (71.12)
11	1.10 (27.94)	29	2.90 (73.66)
12	1.20 (30.48)	30	3.00 (76.20)
13	1.30 (33.02)	31	3.10 (78.74)
14	1.40 (35.56)	32	3.20 (81.28)
15	1.50 (38.10)	33	3.30 (83.82)
16	1.60 (40.64)	34	3.40 (86.36)
17	1.70 (43.18)	35	3.50 (88.90)
18	1.80 (45.72)	36	3.60 (91.44)

NSH-XXSX-RXX-XX

Single Row With Retent

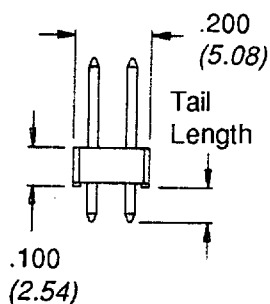
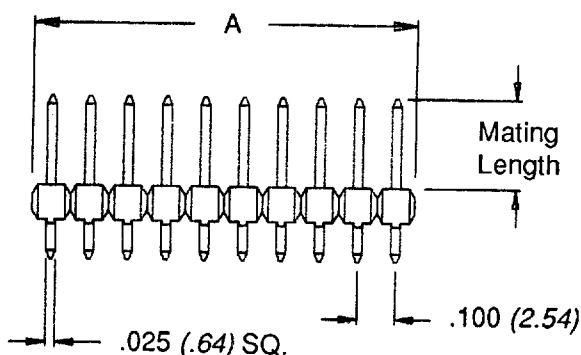


Non-Shrouded Headers

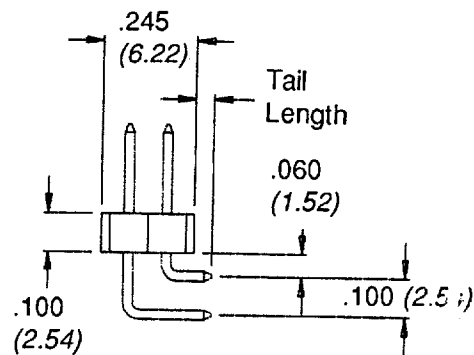


NSH-XXDX-XX-XX

Dual Row Without Retent



Straight



Right Angle

Dimensions			
Number of Contacts	A	Number of Contacts	A
4	.200 (5.08)	42	2.10 (53.34)
6	.300 (7.62)	44	2.20 (55.88)
8	.400 (10.16)	46	2.30 (58.42)
10	.500 (12.70)	48	2.40 (60.96)
12	.600 (15.24)	50	2.50 (63.50)
14	.700 (17.78)	52	2.60 (66.04)
16	.800 (20.32)	54	2.70 (68.58)
18	.900 (22.86)	56	2.80 (71.12)
20	1.00 (25.40)	58	2.90 (73.66)
22	1.10 (27.94)	60	3.00 (76.20)
24	1.20 (30.48)	62	3.10 (78.74)
26	1.30 (33.02)	64	3.20 (81.28)
28	1.40 (35.56)	66	3.30 (83.82)
30	1.50 (38.10)	68	3.40 (86.36)
32	1.60 (40.64)	70	3.50 (88.90)
34	1.70 (43.18)	72	3.60 (91.44)
36	1.80 (45.72)	74	3.70 (93.98)
38	1.90 (48.26)	76	3.80 (96.52)
40	2.00 (50.80)	78	3.90 (99.06)
		80	4.00 (101.60)

NSH-XXDX-RXX-XX

Dual Row With Retent

