

DS96172, μ A96172, DS96174, μ A96174

RS-485/RS-422 Quad Differential Line Drivers

The DS96172/ μ A96172 and DS96174/ μ A96174 are high speed quad differential line drivers designed to meet EIA Standard RS-485. The devices have TRI-STATE outputs and are optimized for balanced multipoint data bus transmission at rates up to 10 Mbps. The drivers have wide positive and negative common mode range for multipoint applications in noisy environments. Positive and negative current-limiting is provided which protects the drivers from line fault conditions over a +12V to -7.0V common mode range. A thermal shutdown feature is also provided and occurs at junction temperature of approximately 160°C. The DS96172/ μ A96172 features an active high and active low Enable, common to all four drivers. The DS96174/ μ A96174 features separate active high Enables for each driver pair.

Rochester Electronics Manufactured Components

Rochester branded components are manufactured using either die/wafers purchased from the original suppliers or Rochester wafers recreated from the original IP. All recreations are done with the approval of the OCM.

Parts are tested using original factory test programs or Rochester developed test solutions to guarantee product meets or exceeds the OCM data sheet.

Quality Overview

- ISO-9001
- AS9120 certification
- Qualified Manufacturers List (QML) MIL-PRF-38535
 - Class Q Military
 - Class V Space Level
- Qualified Suppliers List of Distributors (QSLD)
 - Rochester is a critical supplier to DLA and meets all industry and DLA standards.

Rochester Electronics, LLC is committed to supplying products that satisfy customer expectations for quality and are equal to those originally supplied by industry manufacturers.

The original manufacturer's datasheet accompanying this document reflects the performance and specifications of the Rochester manufactured version of this device. Rochester Electronics guarantees the performance of its semiconductor products to the original OEM specifications. 'Typical' values are for reference purposes only. Certain minimum or maximum ratings may be based on product characterization, design, simulation, or sample testing.



DS96172/ μ A96172/DS96174/ μ A96174 RS-485/RS-422 Quad Differential Line Drivers

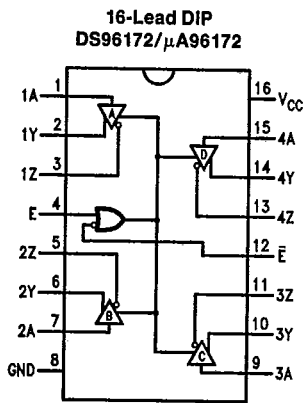
General Description

The DS96172/ μ A96172 and DS96174/ μ A96174 are high speed quad differential line drivers designed to meet EIA Standard RS-485. The devices have TRI-STATE[®] outputs and are optimized for balanced multipoint data bus transmission at rates up to 10 Mbps. The drivers have wide positive and negative common mode range for multipoint applications in noisy environments. Positive and negative current-limiting is provided which protects the drivers from line fault conditions over a +12V to -7.0V common mode range. A thermal shutdown feature is also provided and occurs at junction temperature of approximately 160°C. The DS96172/ μ A96172 features an active high and active low Enable, common to all four drivers. The DS96174/ μ A96174 features separate active high Enables for each driver pair. Compatible RS-485 receivers, transceivers, and repeaters are also offered to provide optimum bus performance. The respective device types are DS96173/ μ A96173, DS96175/ μ A96175, DS96176/ μ A96176, DS96177/ μ A96177 and DS96178/ μ A96178.

Features

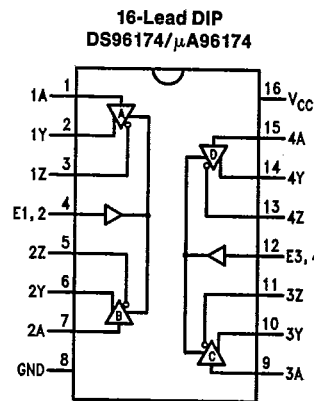
- Meets EIA Standard RS-485 and RS-422A
- Monotonic differential output switching
- Transmission rate to 10 Mbps
- TRI-STATE outputs
- Designed for multipoint bus transmission
- Common mode output voltage range: -7V to +12V
- Operates from single +5V supply
- Thermal shutdown protection
- DS96172/ μ A96172/DS96174/ μ A96174 are lead and function compatible with the SN75172/75174 or the AM26LS31/MC3487 respectively

Connection Diagrams



Top View

TL/F/9626-1



Top View

TL/F/9626-2

Order Number DS96172J, μ A96172DC or DS96174J, μ A96174DC
See NS Package Number J16A

Order Number DS96172N, μ A96172PC or DS96174N, μ A96174PC
See NS Package Number N16A



DS96172/ μ A96172/DS96174/ μ A96174

Absolute Maximum Ratings (Note 1)

If Military/Aerospace specified devices are required, contact the National Semiconductor Sales Office/Distributors for availability and specifications.

Storage Temperature Range	-65°C to +175°C
Ceramic DIP	-65°C to +150°C
Molded DIP	0°C to +70°C
Operating Temperature Range	0°C to +70°C
Lead Temperature	
Ceramic DIP (soldering, 60 sec.)	300°C
Molded DIP (soldering, 10 sec.)	265°C
Supply Voltage	7V
Enable Input Voltage	5.5V
Maximum Power Dissipation*	25°C
Cavity Package	1500 mW
Molded Package	1040 mW

*Derate cavity package 10 mW/°C above 25°C; derate molded DIP package 8.3 mW/°C above 25°C.

Recommended Operating Conditions

	Min	Typ	Max	Units
Supply Voltage (V _{CC})	4.75	5	5.25	V
Common Mode Output Voltage (V _{OC})	-7		+12	V
Output Current HIGH (I _{OH})			-60	mA
Output Current LOW (I _{OL})			60	mA
Operating Temperature (T _A)	0	25	70	°C

Electrical Characteristics

over recommended temperature and supply voltage ranges, unless otherwise specified (Notes 2 and 3)

Symbol	Parameter	Conditions	Min	Typ	Max	Units
V _{IH}	Input Voltage HIGH		2			V
V _{IL}	Input Voltage LOW				0.8	V
V _{OH}	Output Voltage HIGH	I _{OH} = -20 mA		3.1		V
V _{OL}	Output Voltage LOW	I _{OL} = 20 mA		0.8		V
V _{IC}	Input Clamp Voltage	I _I = -18 mA			-1.5	V
V _{OD1}	Differential Output Voltage	I _O = 0 mA			6	V
V _{OD2}	Differential Output Voltage	R _L = 54Ω, Figure 1a	1.5	2		V
		R _L = 100Ω, Figure 1b	2	2.3		V
Δ V _{OD}	Change in Magnitude of Differential Output Voltage (Note 4)	R _L = 54Ω or 100Ω, Figure 1b			±0.2	V
V _{OC}	Common Mode Output Voltage (Note 5)				3	V
Δ V _{OC}	Change in Magnitude of Common Mode Output Voltage (Note 4)				±0.2	V
I _O	Output Current with Power Off	V _{CC} = 0V, V _O = -7.0V to 12V			±100	μA
I _{OZ}	High Impedance State Output Current	V _O = -7.0V to 12V		±50	±200	μA
I _{IH}	Input Current HIGH	V _I = 2.7V			20	μA
I _{IL}	Input Current LOW	V _I = 0.5V			-100	μA
I _{OS}	Short Circuit Output Current (Note 6)	V _O = -7.0V			-250	mA
		V _O = 0V			-150	
		V _O = V _{CC}			150	
		V _O = 12V			250	
I _{CC}	Supply Current (All Drivers)	No Load	Outputs Enabled	50	70	mA
			Output Disabled	50	60	

Switching Characteristics $V_{CC} = 5V, T_A = 25^\circ C$

T-75-45-05

DS96172/ μ A96172/DS96174/ μ A96174

Symbol	Parameter	Conditions	Min	Typ	Max	Units
t_{DD}	Differential Output Delay Time	$R_L = 60\Omega$, Figure 2		15	25	ns
t_{TD}	Differential Output Transition Time			15	25	ns
t_{PLH}	Propagation Delay Time, Low-to-High Level Output	$R_L = 27\Omega$, Figure 3		12	20	ns
t_{PHL}	Propagation Delay Time, High-to-Low Level Output			12	20	ns
t_{PZH}	Output Enable Time to High Level	$R_L = 110\Omega$, Figure 4		30	45	ns
t_{PZL}	Output Enable Time to Low Level	$R_L = 110\Omega$, Figure 5		30	45	ns
t_{PHZ}	Output Disable Time from High Level	$R_L = 110\Omega$, Figure 4		25	35	ns
t_{PLZ}	Output Disable Time from Low Level	$R_L = 110\Omega$, Figure 5		30	45	ns

Note 1: "Absolute Maximum Ratings" are those values beyond which the safety of the device cannot be guaranteed. They are not meant to imply that the devices should be operated at these limits. The tables of "Electrical Characteristics" provide conditions for actual device operation.

Note 2: Unless otherwise specified min/max limits apply across the $0^\circ C$ to $+70^\circ C$ range for the DS96172/ μ A96172/DS96174/ μ A96174. All typicals are given for $V_{CC} = 5V$ and $T_A = 25^\circ C$.

Note 3: All currents into the device pins are positive; all currents out of the device pins are negative. All voltages are referenced to ground unless otherwise specified.

Note 4: $\Delta|V_{OD}|$ and $\Delta|V_{OC}|$ are the changes in magnitude of V_{OD} and V_{OC} respectively, that occur when the input is changed from a high level to a low level.

Note 5: In EIA Standards RS-422A and RS-485, V_{OC} , which is the average of the two output voltages with respect to ground, is called output offset voltage, V_{OS} .

Note 6: Only one output at a time should be shorted.

Parameter Measurement Information

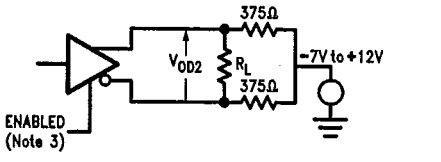


FIGURE 1. Differential Output Voltage with Varying Common Mode Voltage

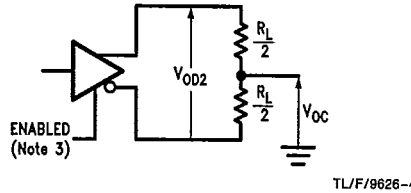


FIGURE 1a. Differential and Common Mode Output Voltage

1

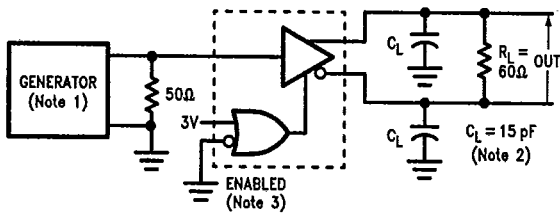
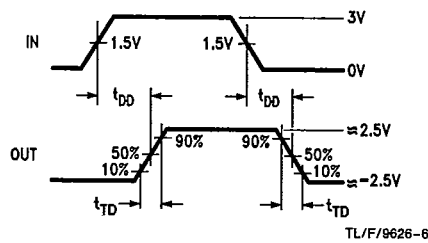
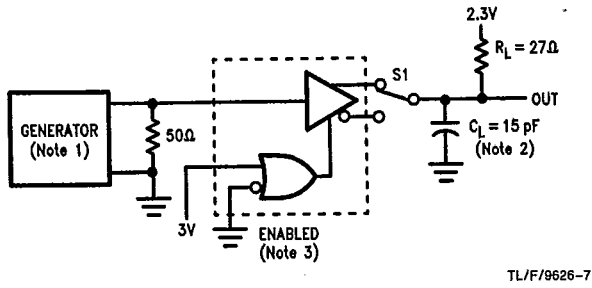


FIGURE 2. Differential Output Delay and Transition Times

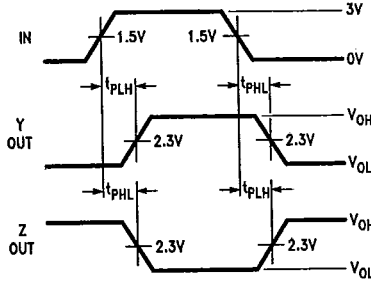


Parameter Measurement Information (Continued)

T-75-45-05

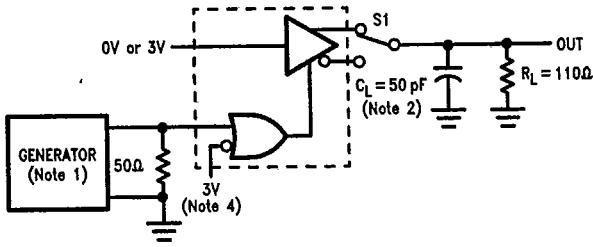


TL/F/9626-7



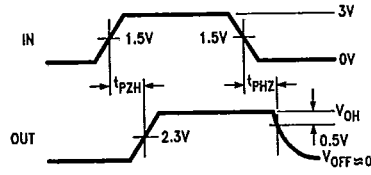
TL/F/9626-8

FIGURE 3. Propagation Delay Times

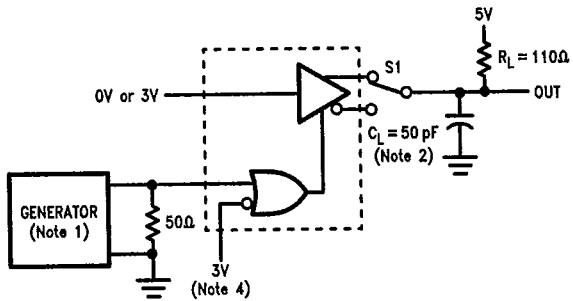


TL/F/9626-9

FIGURE 4. t_{pZH} and t_{pHZ}

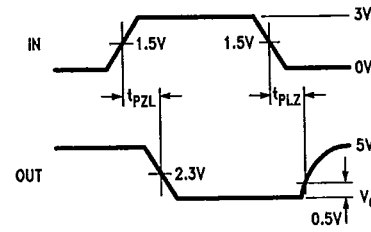


TL/F/9626-10



TL/F/9626-11

FIGURE 5. t_{pZL} and t_{pLZ}



TL/F/9626-12

Note 1: The input pulse is supplied by a generator having the following characteristics: PRR = 1.0 MHz, duty cycle = 50%, $t_r \leq 5.0$ ns, $t_f \leq 5.0$ ns, $Z_0 = 50\Omega$.

Note 2: C_L includes probe and jig capacitance.

Note 3: DS96172/ μ A96172 with active high and active low Enables is shown here. DS96174/ μ A96174 has active high Enable only.

Note 4: To test the active low Enable \bar{E} of DS96172/ μ A96172, ground E and apply an inverted waveform to \bar{E} . DS96174/ μ A96174 has active high Enable only.

Function Tables

T-75-45-05

DS96172/ μ A96172/DS96174/ μ A96174

DS96172/ μ A96172

Input A	Enables		Outputs	
	E	\bar{E}	Y	Z
H	H	X	H	L
L	H	X	L	H
H	X	L	H	L
L	X	L	L	H
X	L	H	Z	Z

DS96174/ μ A96174

Input	Enable	Outputs	
		Y	Z
H	H	H	L
L	H	L	H
X	L	Z	Z

H = High Level
L = Low Level
X = Immaterial
Z = High Impedance (off)

Typical Application

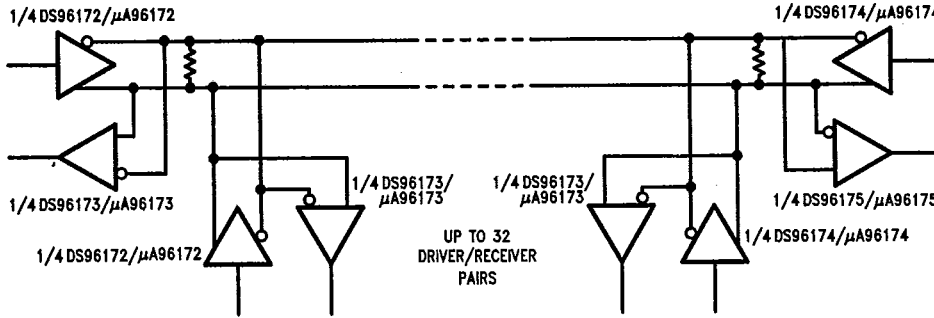


FIGURE 6

TL/F/9626-13

Note: The line length should be terminated at both ends in its characteristic impedance. Stub lengths off the main line should be kept as short as possible.

1