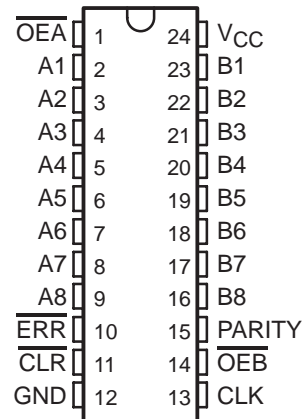


SN74BCT29833 8-BIT TO 9-BIT PARITY BUS TRANSCEIVER

SCBS003C – SEPTEMBER 1987 – REVISED NOVEMBER 1993

- BiCMOS Process With TTL Inputs and Outputs
- BiCMOS Design Reduces Standby Current
- Flow-Through Pinout (All Inputs on Opposite Side From Outputs)
- Functionally Equivalent to SN74ALS29833 and AMD Am29833
- High-Speed Bus Transceiver With Parity Generator/Checker
- Parity-Error Flag With Open-Collector Output
- Available Register For Storage of the Parity-Error Flag
- Package Options Include Plastic Small-Outline (DW) Packages and Standard Plastic 300-mil DIPs (NT)

DW OR NT PACKAGE
(TOP VIEW)



description

The SN74BCT29833 is an 8-bit to 9-bit parity transceiver designed for asynchronous communication between data buses. When data is transmitted from the A to B bus, a parity bit is generated. When data is transmitted from the B to A bus with its corresponding parity bit, the parity-error (\overline{ERR}) output will indicate whether or not an error in the B data has occurred. The output-enable (\overline{OEA} , \overline{OEB}) inputs can be used to disable the device so that the buses are effectively isolated.

A 9-bit parity generator/checker generates a parity-odd (PARITY) output and monitors the parity of the I/O ports with an open-collector parity-error (\overline{ERR}) flag. \overline{ERR} is clocked into the register on the rising edge of the CLK input. The error flag register is cleared with a low pulse on the clear (\overline{CLR}) input. When both \overline{OEA} and \overline{OEB} are low, data is transferred from the A bus to the B bus and inverted parity is generated. Inverted parity is a forced error condition which gives the designer more system diagnostic capability. The SN74BCT29833 provides true logic.

The SN74BCT29833 is characterized for operation from 0°C to 70°C.

FUNCTION TABLE

INPUTS						OUTPUT AND I/O				FUNCTION
\overline{OEB}	\overline{OEA}	\overline{CLR}	CLK	Ai Σ of H's	Bi† Σ of H's	A	B	PARITY	\overline{ERR} ‡	
L	H	X	X	Odd Even	NA	NA	A	L H	NA	A data to B bus and generate parity
H	L	H	↑	NA	Odd Even	B	NA	NA	H L	B data to A bus and check parity
X	X	L	X	X	X	X	NA	NA	H	Clear error-flag register
H	H	H	No↑	X	X	Z	Z	Z	NC	Isolation§
		L	No↑	H						
		H	↑	H						
L	L	X	X	Odd	NA	NA	A	H	NA	A data to B bus and generate inverted parity
				Even				L		

NA = not applicable, NC = no change, X = don't care

† Summation of high-level inputs includes PARITY along with Bi inputs.

‡ Output states shown assume the ERR output was previously high.

§ In this mode, the \overline{ERR} output, when enabled, shows inverted parity of the A bus.

PRODUCTION DATA information is current as of publication date. Products conform to specifications per the terms of Texas Instruments standard warranty. Production processing does not necessarily include testing of all parameters.



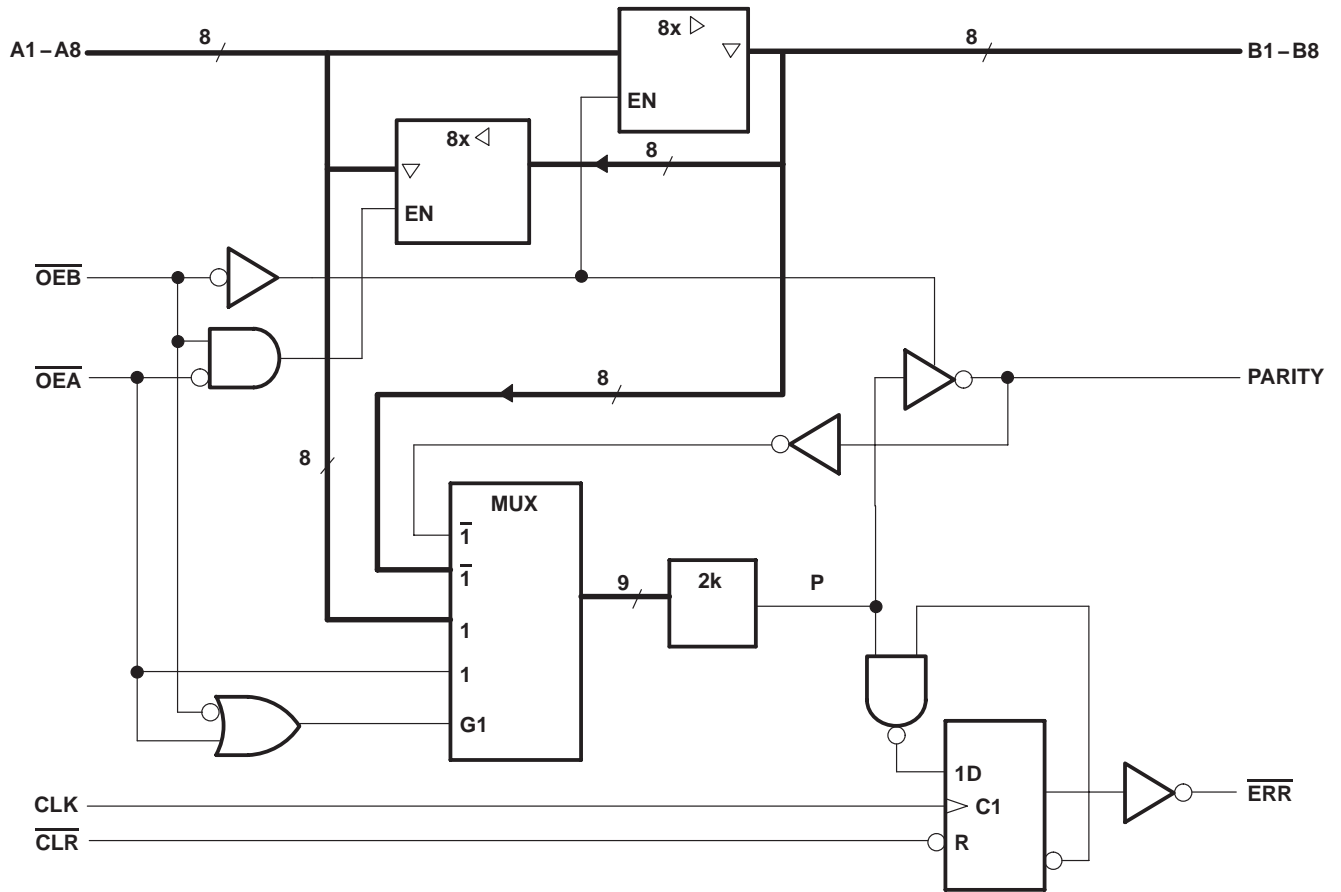
Copyright © 1993, Texas Instruments Incorporated

SN74BCT29833

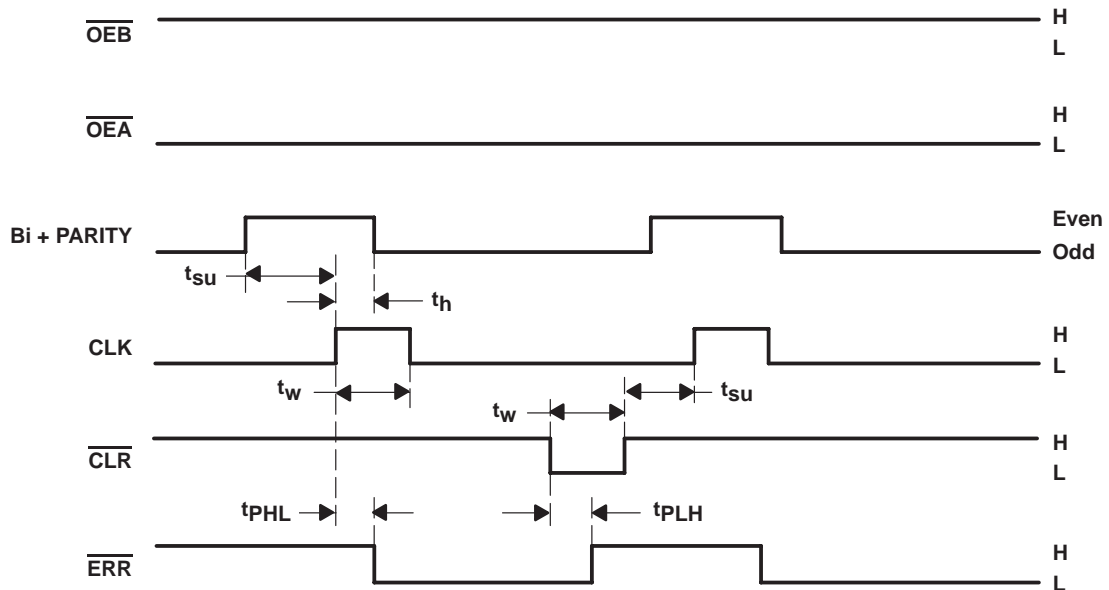
8-BIT TO 9-BIT PARITY BUS TRANSCEIVER

SCBS003C – SEPTEMBER 1987 – REVISED NOVEMBER 1993

functional logic diagram (positive logic)



error-flag waveforms



ERROR-FLAG FUNCTION TABLE

INPUTS		INTERNAL TO DEVICE	OUTPUT PRESTATE	OUTPUT	FUNCTION
$\overline{\text{CLR}}$	CLK	POINT P	$\overline{\text{ERR}}_{n-1}^\dagger$	$\overline{\text{ERR}}$	
H	↑	H	H	H	Sample
H	↑	X	L	L	
H	↑	L	X	L	
L	X	X	X	H	Clear

$^\dagger \overline{\text{ERR}}_{n-1}$ represents the state of the $\overline{\text{ERR}}$ output before any changes at $\overline{\text{CLR}}$, CLK, or point P.

absolute maximum ratings over operating free-air temperature range (unless otherwise noted)‡

- Supply voltage, V_{CC} 7 V
- Input voltage, V_I 7 V
- Voltage applied to a disabled I/O port 5.5 V
- Operating free-air temperature range 0°C to 70°C
- Storage temperature range -65°C to 150°C

‡ Stresses beyond those listed under “absolute maximum ratings” may cause permanent damage to the device. These are stress ratings only, and functional operation of the device at these or any other conditions beyond those indicated under “recommended operating conditions” is not implied. Exposure to absolute-maximum-rated conditions for extended periods may affect device reliability.



SN74BCT29833

8-BIT TO 9-BIT PARITY BUS TRANSCEIVER

SCBS003C – SEPTEMBER 1987 – REVISED NOVEMBER 1993

recommended operating conditions

		MIN	NOM	MAX	UNIT
V_{CC}	Supply voltage	4.5	5	5.5	V
V_{IH}	High-level input voltage	2			V
V_{IL}	Low-level input voltage			0.8	V
V_{OH}	High-level output voltage, \overline{ERR}			2.4	V
I_{OH}	High-level output current			-24	mA
I_{OL}	Low-level output current			48	mA
T_A	Operating free-air temperature	0		70	°C

electrical characteristics over recommended operating free-air temperature range (unless otherwise noted)

PARAMETER		TEST CONDITIONS		MIN	TYP†	MAX	UNIT
V_{IK}		$V_{CC} = 4.5\text{ V}$,	$I_I = -18\text{ mA}$			-1.2	V
V_{OH}	All inputs/outputs except \overline{ERR}	$V_{CC} = 4.5\text{ V}$	$I_{OH} = -15\text{ mA}$	2.4			V
			$I_{OH} = -24\text{ mA}$	2			
I_{OH}	\overline{ERR}	$V_{CC} = 4.5\text{ V}$,	$V_{OH} = 2.4\text{ V}$			20	μA
V_{OL}		$V_{CC} = 4.5\text{ V}$,	$I_{OL} = 48\text{ mA}$		0.35	0.5	V
I_I		$V_{CC} = 5.5\text{ V}$,	$V_I = 5.5\text{ V}$			0.1	mA
$I_{IH}‡$		$V_{CC} = 5.5\text{ V}$,	$V_I = 2.7\text{ V}$			20	μA
$I_{IL}‡$	Data	$V_{CC} = 5.5\text{ V}$,	$V_I = 0.4\text{ V}$			-0.2	mA
	Control					-0.75	
$I_{OS}§$		$V_{CC} = 5.5\text{ V}$,	$V_O = 0$	-75		-250	mA
I_{CCL}		$V_{CC} = 5.5\text{ V}$,	Outputs open		55	80	mA
I_{CCZ}		$V_{CC} = 5.5\text{ V}$,	Outputs open		30	45	mA

† All typical values are at $V_{CC} = 5\text{ V}$, $T_A = 25^\circ\text{C}$.

‡ These parameters include off-state output current for I/O ports only.

§ Not more than one output should be tested at a time, and the duration of the test should not exceed one second.

timing requirements over recommended ranges of supply voltage and operating free-air temperature (unless otherwise noted)

		MIN	MAX	UNIT
t_w	Pulse duration	CLK high	10	ns
		CLK low	10	
		\overline{CLR} low	10	
t_{su}	Setup time before $CLK\uparrow$	Bi and PARITY	12	ns
		\overline{CLR} inactive	12	
t_h	Hold time after $CLK\uparrow$	0		ns



SN74BCT29833

8-BIT TO 9-BIT PARITY BUS TRANSCEIVER

SCBS003C – SEPTEMBER 1987 – REVISED NOVEMBER 1993

switching characteristics (see Note 1)

PARAMETER	FROM (INPUT)	TO (OUTPUT)	V _{CC} = 5 V, C _L = 50 pF, R1 = 500 Ω, R2 = 500 Ω, T _A = 25°C			V _{CC} = 4.5 V to 5.5 V, C _L = 50 pF, R1 = 500 Ω, R2 = 500 Ω, T _A = MIN to MAX†		UNIT
			MIN	TYP	MAX	MIN	MAX	
t _{PLH}	A or B	B or A	1	5	7	1	8	ns
t _{PHL}			1.5	5	8	1.5	10	
t _{PLH}	A	PARITY	1.5	7	9	1.5	11	ns
t _{PHL}			1.5	10	13	1.5	15	
t _{PZH}	$\overline{\text{OEA}}$ or $\overline{\text{OEB}}$	A or B	2	11	15	2	19	ns
t _{PZL}			2	13	17	2	21	
t _{PHZ}	$\overline{\text{OEA}}$ or $\overline{\text{OEB}}$	A or B	2	8	11	2	15	ns
t _{PLZ}			2	10	14	2	17	
t _{PLH}	CLK	$\overline{\text{ERR}}$	1.5	7	10	1.5	12	ns
	$\overline{\text{CLR}}$		1.5	13	17	1.5	20	
t _{PLH}	$\overline{\text{OEA}}$	PARITY	1.5	10	13	1.5	15	ns
t _{PHL}			1.5	10	13	1.5	15	

† For conditions shown as MIN or MAX, use the appropriate value specified under recommended operating conditions.

NOTE 1: Load circuits and voltage waveforms are shown in Section 1.



IMPORTANT NOTICE

Texas Instruments Incorporated and its subsidiaries (TI) reserve the right to make corrections, modifications, enhancements, improvements, and other changes to its products and services at any time and to discontinue any product or service without notice. Customers should obtain the latest relevant information before placing orders and should verify that such information is current and complete. All products are sold subject to TI's terms and conditions of sale supplied at the time of order acknowledgment.

TI warrants performance of its hardware products to the specifications applicable at the time of sale in accordance with TI's standard warranty. Testing and other quality control techniques are used to the extent TI deems necessary to support this warranty. Except where mandated by government requirements, testing of all parameters of each product is not necessarily performed.

TI assumes no liability for applications assistance or customer product design. Customers are responsible for their products and applications using TI components. To minimize the risks associated with customer products and applications, customers should provide adequate design and operating safeguards.

TI does not warrant or represent that any license, either express or implied, is granted under any TI patent right, copyright, mask work right, or other TI intellectual property right relating to any combination, machine, or process in which TI products or services are used. Information published by TI regarding third-party products or services does not constitute a license from TI to use such products or services or a warranty or endorsement thereof. Use of such information may require a license from a third party under the patents or other intellectual property of the third party, or a license from TI under the patents or other intellectual property of TI.

Reproduction of TI information in TI data books or data sheets is permissible only if reproduction is without alteration and is accompanied by all associated warranties, conditions, limitations, and notices. Reproduction of this information with alteration is an unfair and deceptive business practice. TI is not responsible or liable for such altered documentation. Information of third parties may be subject to additional restrictions.

Resale of TI products or services with statements different from or beyond the parameters stated by TI for that product or service voids all express and any implied warranties for the associated TI product or service and is an unfair and deceptive business practice. TI is not responsible or liable for any such statements.

TI products are not authorized for use in safety-critical applications (such as life support) where a failure of the TI product would reasonably be expected to cause severe personal injury or death, unless officers of the parties have executed an agreement specifically governing such use. Buyers represent that they have all necessary expertise in the safety and regulatory ramifications of their applications, and acknowledge and agree that they are solely responsible for all legal, regulatory and safety-related requirements concerning their products and any use of TI products in such safety-critical applications, notwithstanding any applications-related information or support that may be provided by TI. Further, Buyers must fully indemnify TI and its representatives against any damages arising out of the use of TI products in such safety-critical applications.

TI products are neither designed nor intended for use in military/aerospace applications or environments unless the TI products are specifically designated by TI as military-grade or "enhanced plastic." Only products designated by TI as military-grade meet military specifications. Buyers acknowledge and agree that any such use of TI products which TI has not designated as military-grade is solely at the Buyer's risk, and that they are solely responsible for compliance with all legal and regulatory requirements in connection with such use.

TI products are neither designed nor intended for use in automotive applications or environments unless the specific TI products are designated by TI as compliant with ISO/TS 16949 requirements. Buyers acknowledge and agree that, if they use any non-designated products in automotive applications, TI will not be responsible for any failure to meet such requirements.

Following are URLs where you can obtain information on other Texas Instruments products and application solutions:

Products

Amplifiers	amplifier.ti.com
Data Converters	dataconverter.ti.com
DSP	dsp.ti.com
Clocks and Timers	www.ti.com/clocks
Interface	interface.ti.com
Logic	logic.ti.com
Power Mgmt	power.ti.com
Microcontrollers	microcontroller.ti.com
RFID	www.ti-rfid.com
RF/IF and ZigBee® Solutions	www.ti.com/lprf

Applications

Audio	www.ti.com/audio
Automotive	www.ti.com/automotive
Broadband	www.ti.com/broadband
Digital Control	www.ti.com/digitalcontrol
Medical	www.ti.com/medical
Military	www.ti.com/military
Optical Networking	www.ti.com/opticalnetwork
Security	www.ti.com/security
Telephony	www.ti.com/telephony
Video & Imaging	www.ti.com/video
Wireless	www.ti.com/wireless

Mailing Address: Texas Instruments, Post Office Box 655303, Dallas, Texas 75265
Copyright © 2008, Texas Instruments Incorporated