



High Voltage CMOS/DMOS Analog Switches

MAX341/43/45/48

General Description

The MAX341/43/45/48 are CMOS/DMOS analog switches intended for high voltage use as well as high reliability general purpose applications. The operating supply range is $\pm 20V$ to $\pm 50V$ or $+20V$ to $+60V$ when using a single power supply. Signal handling capability extends from the negative to the positive supply voltage, i.e. over a 100V peak-to-peak range with $\pm 50V$ power supplies.

The switch control inputs can be driven with CMOS or other high level logic signals. All switches are normally closed, i.e. an input "0" level turns the switch ON. The MAX341 and MAX348 are dual SPST switches, the MAX343 is a dual SPDT switch, and the MAX345's configuration is dual DPST. The MAX348 is a reduced R_{ON} version of the MAX341.

Positive supply current for all devices is less than $300\mu A$ and negative supply current is less than $100\mu A$ with $\pm 50V$ power supplies. When using a single power supply and logic input levels equal to the supply value, the power supply currents are less than $20\mu A$.

Applications

- Medical Ultrasound Equipment
- Automatic Test Equipment
- Diagnostic Systems
- 48 Volt Telecom Systems
- Stepper and DC Motor Drivers

Features

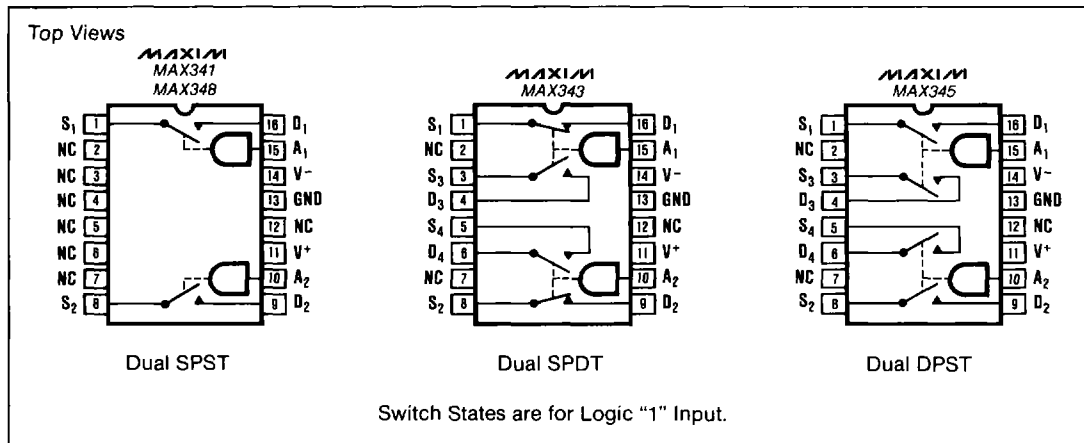
- ◆ $\pm 20V$ to $\pm 50V$ and Single Supply Operation
- ◆ R_{ON} Less than 55Ω (MAX348)
- ◆ $-70dB$ Typical OFF Isolation at 1MHz
- ◆ Input Voltage Range Includes Power Supplies
- ◆ 100V peak-to-peak Signal Handling Capability
- ◆ Guaranteed Break-Before-Make Operation
- ◆ Completely Latchup-Proof Construction

Ordering Information

| PART | TEMP. RANGE | PACKAGE |
|-----------|-----------------|---------------------|
| MAX341C/D | 0°C to +70°C | Dice |
| MAX341CPE | 0°C to +70°C | 16 Lead Plastic DIP |
| MAX341CWE | 0°C to +70°C | 16 Lead Wide SO |
| MAX341EPE | -40°C to +85°C | 16 Lead Plastic DIP |
| MAX341EWE | -40°C to +85°C | 16 Lead Wide SO |
| MAX341EJE | -40°C to +85°C | 16 Lead CERDIP |
| MAX341MJE | -55°C to +125°C | 16 Lead CERDIP |
| MAX343C/D | 0°C to +70°C | Dice |
| MAX343CPE | 0°C to +70°C | 16 Lead Plastic DIP |
| MAX343CWE | 0°C to +70°C | 16 Lead Wide SO |
| MAX343EPE | -40°C to +85°C | 16 Lead Plastic DIP |
| MAX343EWE | -40°C to +85°C | 16 Lead Wide SO |
| MAX343EJE | -40°C to +85°C | 16 Lead CERDIP |
| MAX343MJE | -55°C to +125°C | 16 Lead CERDIP |

(Ordering Information Continued on Last Page)

Pin Configurations



High Voltage CMOS/DMOS Analog Switches

ABSOLUTE MAXIMUM RATINGS

| | |
|--|----------------------------------|
| V ⁺ to V ⁻ Voltage | +120V |
| V ⁺ to GND Voltage | +65V |
| Digital Input Voltage | V ⁻ to V ⁺ |
| Input Current | |
| S and D | +200mA |
| All pins except S and D | ±30mA |
| Lead Temperature (Soldering 10 sec) | +300°C |
| Storage Temperature | -65°C to +150°C |

| | |
|--|-----------------|
| Operating Temperature Range | |
| MAX34XC | 0°C to +70°C |
| MAX34XE | -40°C to +85°C |
| MAX34XM | -55°C to +125°C |
| Power Dissipation (16 pin packages) | |
| CERDIP (derate 10mW/°C above +75°C) | 750mW |
| Plastic DIP (derate 7.35mW/°C above +75°C) | 550mW |
| Small Outline (derate 9mW/°C above +75°C) | 680mW |

Stresses listed under "Absolute Maximum Ratings" may be applied (one at a time) to devices without resulting in permanent damage. These are stress ratings only, and functional operation at these or any other conditions above those indicated in the operations section of the specifications is not implied. Exposure to absolute maximum ratings for extended periods may affect device reliability.

ELECTRICAL CHARACTERISTICS

(Over Temperature, V⁺ = +50V, V⁻ = -50V, GND = 0V unless otherwise indicated)

| PARAMETER | SYMBOL | CONDITIONS | MIN. | TYP. | MAX. | UNITS |
|--|---|--|----------------|-------------------|----------------|-------|
| Analog Signal Range | V _S , V _D | | V ⁺ | | V ⁻ | V |
| Channel ON Resistance | R _{ON} | V _S = ±50V, I _S = 10mA | | 80 | 110 | Ω |
| MAX341/43/45 | | T _A = +25°C | | | 160 | |
| MAX341/43/45 | | Over Temp. | | | 55 | |
| MAX348 | | T _A = +25°C | | 35 | 55 | |
| MAX348 | | Over Temp. | | | 80 | |
| ON Resistance Match | ΔR _{ON} | V _S = ±50V, I _S = 10mA | | 7 | | % |
| OFF Leakage Current (Figure 7) | I _{D(OFF)} , I _{S(OFF)} | V _S = ±50V, V _D = ±50V T _A = +25°C Over Temp. | | 10 1000 | 50 5000 | nA |
| ON Output Leakage Current (Figure 8) | I _{D(ON)} , I _{S(ON)} | V _S = V _D = ±50V T _A = +25°C Over Temp. | | 10 1000 | 60 5000 | nA |
| Input Low Threshold | V _{AL} | | | | 3.5 | V |
| Input High Threshold | V _{AH} | | 12 | | | V |
| Input Current (Logic) | I _A | V _A = 0V to +15V | | 0.1 | 10 | μA |
| Turn-On Time (Figure 9) | t _{ON} | T _A = +25°C Over Temp. | | 0.5 | 1.0 1.5 | μs |
| Turn-Off Time (Figure 9) | t _{OFF} | T _A = 25°C Over Temp. | | 0.4 | 0.75 1.0 | μs |
| OFF Isolation (Figure 4) | ISO _{OFF} | T _A = +25°C, 1MHz, R _L = 75Ω | | -70 | | dB |
| Channel-Channel Crosstalk (Figure 5) | ISO _X | T _A = +25°C, 1MHz, R _L = 75Ω | | -75 | | dB |
| Channel Input Capacitance | C _{SI(OFF)} , C _{SD(OFF)} , C _{SI(ON)} | T _A = +25°C, V _S = 0V | | 17 | | pF |
| OFF State, C to Gnd | | | | 1 | | |
| OFF State, C to Out | | | | | | |
| ON State, C to Gnd | | | | 38 | | |
| Charge Injection (Figure 6) | Q | V _S = +50V V _S = 0V V _S = -50V | | 100 240 480 | | pC |
| Supply Current V ⁺ Current | I ⁺ | T _A = +25°C Over Temp. | | 200 | 300 600 | μA |
| Supply Current V ⁻ Current | I ⁻ | T _A = +25°C Over Temp. | | 40 | 100 200 | μA |
| Supply Voltage Range | | GND = 0V | ±20 | | ±50 | V |
| Split Supplies | | V ⁻ = GND = 0V | +20 | | +60 | |

High Voltage CMOS/DMOS Analog Switches

MAX341/43/45/48

Detailed Description

Analog Signal Range

The MAX341 family's analog signal range is equal to the power supply value, up to $\pm 50\text{V}$ with split power supplies and $+60\text{V}$ with a single power supply (V^- connected to GND). An ON switch is also capable of passing up to 0.5A on a peak current basis. Maximum continuous current is limited only by the package power dissipation (see Absolute Maximum Ratings)

ON Resistance

The ON resistance of the MAX341 series switches is typically 40Ω . R_{ON} does, however increase as the switch voltage (V_S) approaches V^+ . For example, with $\pm 50\text{V}$ supplies and a $+50\text{V}$ analog signal, R_{ON} will be typically less than 100Ω (50Ω for the MAX348), and 45Ω (25Ω for the MAX348) for -50V signals. With $\pm 50\text{V}$ power supplies, and $\pm 40\text{V}$ switch voltages, R_{ON} is about 40Ω for the $+40\text{V}$ case and 30Ω for the -40V case. ON resistance can be reduced and current handling capacity can be increased by connecting switches in parallel. This is especially useful in power switching applications. Table 1 and the graph in the Typical Characteristics section further describe the relation between R_{ON} and V^+ .

Table 1: ON Resistance

| V^+/V^- | R_{ON} AT $V_S = V^+$ | R_{ON} AT $V_S = V^-$ |
|-----------|-------------------------|-------------------------|
| +20V/-20V | 127 Ω | 39 Ω |
| +30V/-30V | 105 Ω | 36 Ω |
| +40V/-40V | 92 Ω | 32 Ω |
| +50V/-50V | 84 Ω | 30 Ω |
| +40V/GND | 127 Ω | 39 Ω |
| +60V/GND | 105 Ω | 36 Ω |

Note:

Typical R_{ON} for the MAX348 is approximately one half of the above values.

Power Supply Current

The maximum supply current for V^+ and V^- at 25°C is $300\mu\text{A}$ and $100\mu\text{A}$ respectively. However, the positive supply current (I^+) is partly dependent on the input logic level and can be reduced if control signals of a larger amplitude than 0V and $+15\text{V}$ are used. If the control inputs swing to within 4V of V^+ and V^- then I^+ drops to a typical value of $20\mu\text{A}$.

Control Inputs

15V logic level inputs are required to turn switches on or off, but the control inputs can also accept levels up to V^+ and V^- . A input greater than 12V constitutes a "1" state (switch OFF), and an input less than 3.5V will constitute a "0" state (switch ON).

Standard TTL logic can be used with MAX341 series switches if a level shifter such as the MC14504 is used to drive the control inputs as shown in in figure 1. Open collector drivers, with external pull-up resistors, can be used in a similar fashion as well.

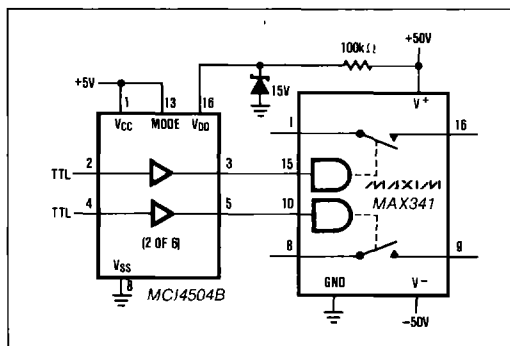


Figure 1. Using TTL Control Levels.

Applications

Flying Capacitor Input

A "flying capacitor" differential to single-ended converter takes advantage of the MAX343's wide input voltage range, which allows large common mode inputs to be rejected. As shown in Figure 2, a capacitor is alternately charged by the differential input signal and then is connected to an op-amp or A-to-D input. An instrumentation amplifier is not required since the output signal can be referenced to ground. Sample-hold operation is also built in to the design and the MAX343's break-before-make operation ensures that the output sees only the differential portion of the input signal. A similar approach can also be used for single-ended to differential signal conversion as well.

Parallel Switches

In designs where power switching ability is needed, any of the MAX341 series switches can be connected in parallel to increase current handling capability and reduce ON resistance. Applications such as ultrasonics, RF power, and DC motor drive are areas where this is often important. A MAX348 is shown in a parallel configuration in figure 3. The resulting SPST switch has a typical R_{ON} of 12Ω (5Ω for signals more than 10V below V^+) and can handle pulsed loads of up to 0.5Amps . With $\pm 50\text{V}$ power supplies, the peak-to-peak signal range is still 100V and 10MHz signals can be switched while maintaining typically -50dB of isolation.

High Voltage CMOS/DMOS Analog Switches

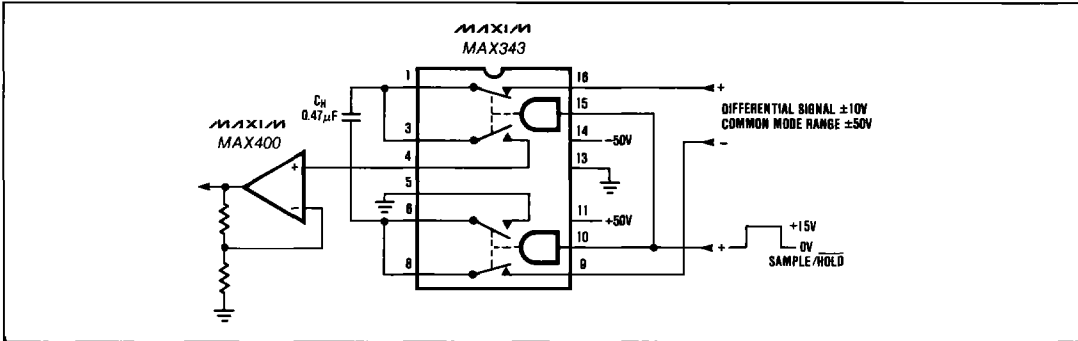


Figure 2. Flying Capacitor Differential to Single-Ended Converter with ±50V Common-Mode Range.

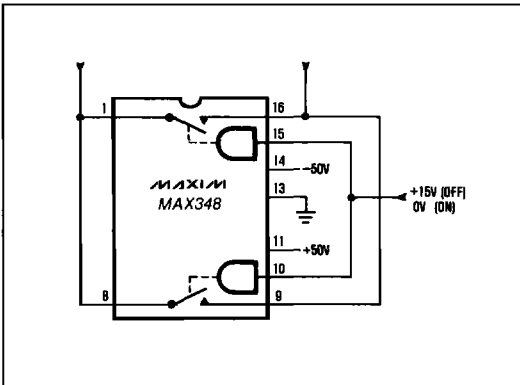


Figure 3. Minimum R_{ON} (5 to 10Ω typ.) High Voltage Switch.

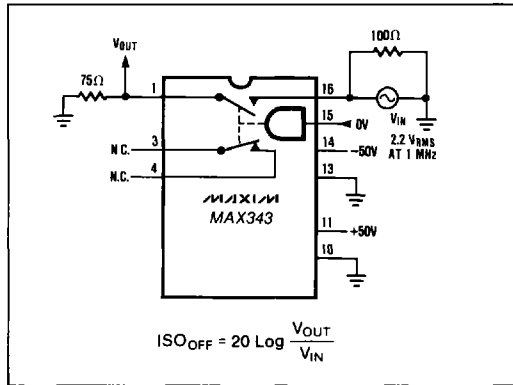


Figure 4. OFF Isolation Test Circuit.

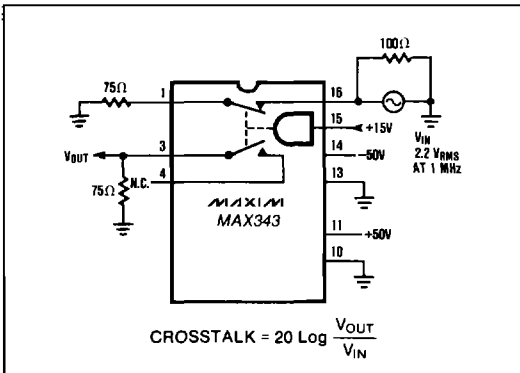


Figure 5. Channel-Channel Crosstalk Test Circuit.

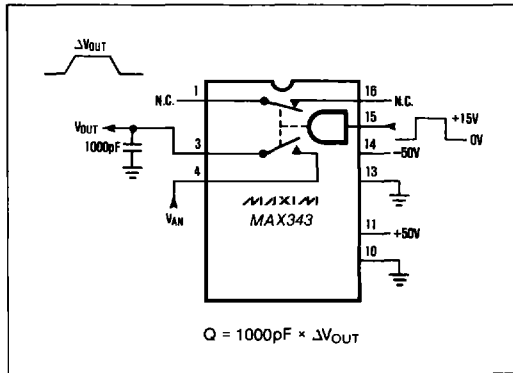
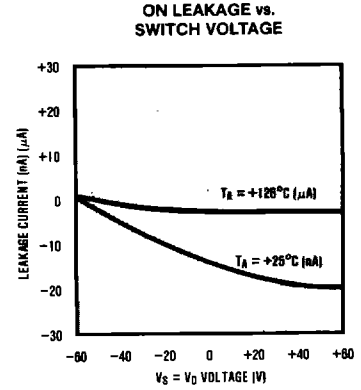
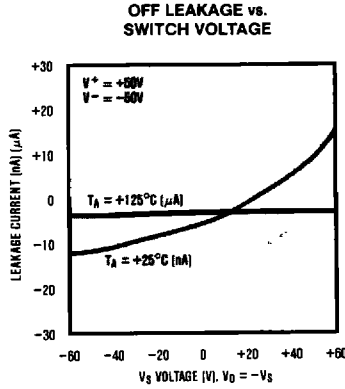
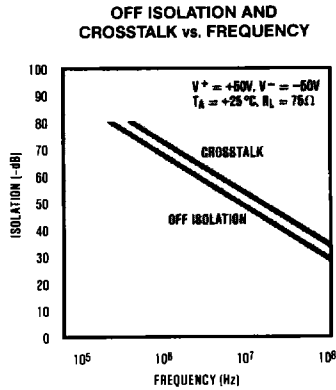
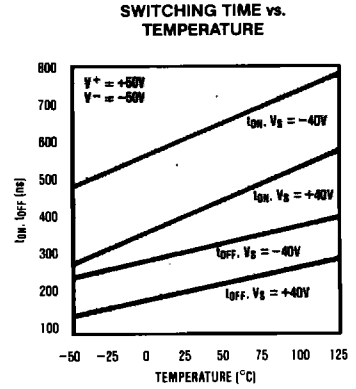
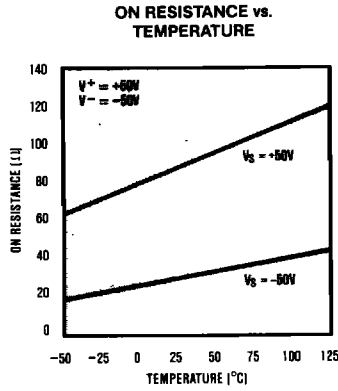
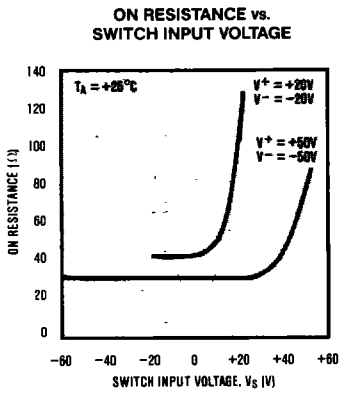


Figure 6. Charge Injection Test Circuit.

High Voltage CMOS/DMOS Analog Switches

Typical Operating Characteristics

MAX341/43/45/48



Test Circuits

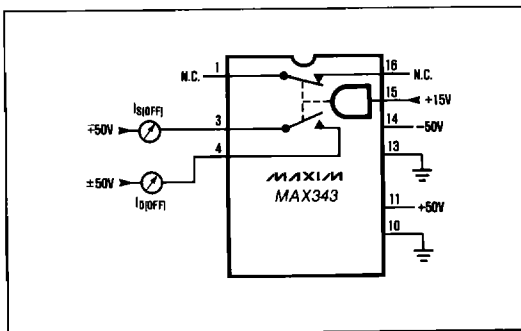


Figure 7. OFF Leakage Test Circuit.

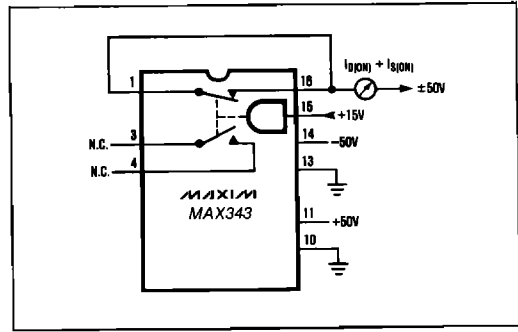


Figure 8. ON Leakage Test Circuit.

High Voltage CMOS/DMOS Analog Switches

Test Circuit

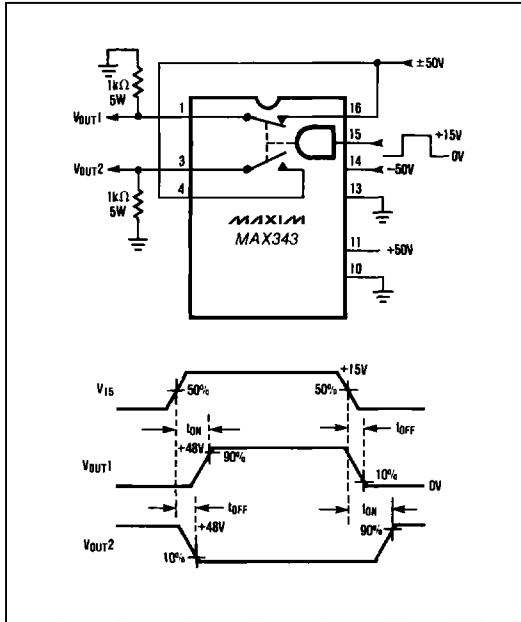
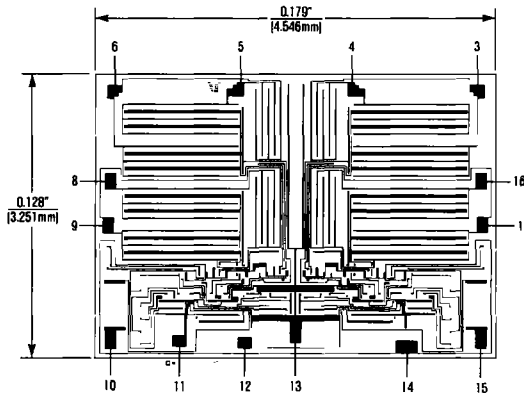


Figure 9. Switching Time Test Circuit.

Ordering Information (continued)

| PART | TEMP. RANGE | PACKAGE |
|-----------|-----------------|---------------------|
| MAX345C/D | 0°C to +70°C | Dice |
| MAX345CPE | 0°C to +70°C | 16 Lead Plastic DIP |
| MAX345CWE | 0°C to +70°C | 16 Lead Wide SO |
| MAX345EPE | -40°C to +85°C | 16 Lead Plastic DIP |
| MAX345EWE | -40°C to +85°C | 16 Lead Wide SO |
| MAX345EJE | -40°C to +85°C | 16 Lead CERDIP |
| MAX345MJE | -55°C to +125°C | 16 Lead CERDIP |
| MAX348C/D | 0°C to +70°C | Dice |
| MAX348CPE | 0°C to +70°C | 16 Lead Plastic DIP |
| MAX348CWE | 0°C to +70°C | 16 Lead Wide SO |
| MAX348EPE | -40°C to +85°C | 16 Lead Plastic DIP |
| MAX348EWE | -40°C to +85°C | 16 Lead Wide SO |
| MAX348EJE | -40°C to +85°C | 16 Lead CERDIP |
| MAX348MJE | -55°C to +125°C | 16 Lead CERDIP |

Chip Topography



See Pin Configurations for pin functions.

Maxim cannot assume responsibility for use of any circuitry other than circuitry entirely embodied in a Maxim product. No circuit patent licenses are implied. Maxim reserves the right to change the circuitry and specifications without notice at any time.