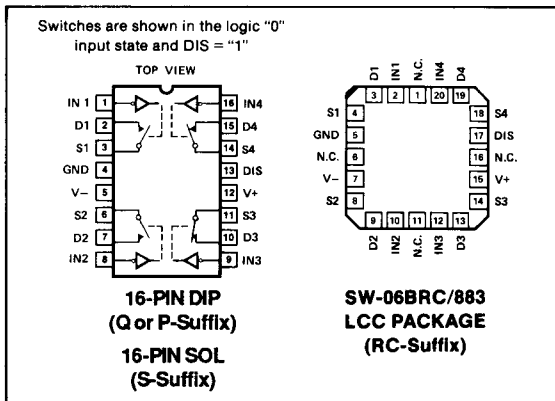


Precision Monolithics Inc.

FEATURES

- Two Normally Open and Two Normally Closed SPST Switches with Disable
- Switches can be Easily Configured as a Dual SPDT or a DPDT
- Highly Resistant to Static Discharge Destruction
- Higher Resistance to Radiation Than Analog Switches Designed with MOS Devices
- Guaranteed R_{ON} Matching 10% Max
- Guaranteed Switching Speeds $T_{ON} = 500ns$ Max
 $T_{OFF} = 400ns$ Max
- Guaranteed Break-Before-Make Switching
- Low "ON" Resistance 80Ω Max
- Low R_{ON} Variation from Analog Input Voltage 5%
- Low Total Harmonic Distortion 0.01%
- Low Leakage Currents at High Temperature:
 $T_A = 125^\circ C$ 100nA Max
 $T_A = 85^\circ C$ 30nA Max
- Digital Inputs TTL/CMOS Compatible and Independent of V_+
- Improved Specifications and Pin Compatible to LF-11333/13333
- Dual or Single Power Supply Operation
- Available in Die Form

PIN CONNECTIONS



ORDERING INFORMATION †

PLASTIC 16-PIN	CERDIP 16-PIN	LCC 20-CONTACT	OPERATING TEMPERATURE RANGE
—	SW06BQ*	SW06BRC/883	MIL
SW06GP	SW06FQ	—	XIND
SW06GS	—	—	XIND

* For devices processed in total compliance to MIL-STD-883, add /883 after part number. Consult factory for 883 data sheet.

† Burn-in is available on commercial and industrial temperature range parts in CerDIP, plastic DIP, and TO-can packages. For ordering information, see 1990/91 Data Book, Section 2.

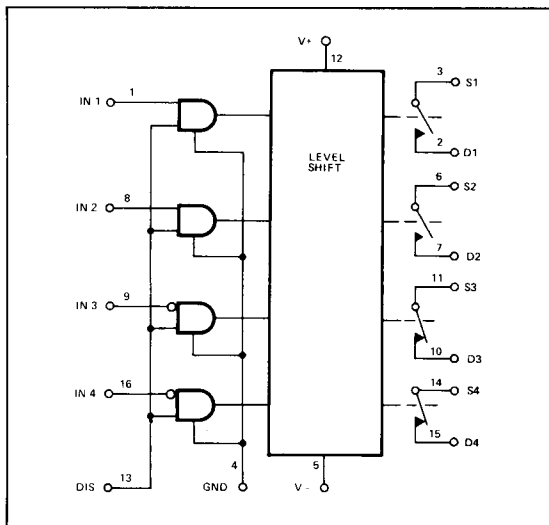
GENERAL DESCRIPTION

The SW-06 is a four channel single-pole, single-throw analog switch that employs both bipolar and ion-implanted FET devices. The SW-06 FET switches use bipolar digital logic inputs which are more resistant to static electricity than CMOS devices. Ruggedness and reliability are inherent in the SW-06 design and construction technology.

Increased reliability is complemented by excellent electrical specifications. Potential error sources are reduced by minimizing "ON" resistance and controlling leakage currents at high temperatures. The switching FET exhibits minimal R_{ON} variation over a 20V analog signal range and with power supply voltage changes. Operation from a single positive power supply voltage is possible. With $V_+ = 36V$, $V_- = 0V$, the analog signal range will extend from ground to +32V.

PNP logic inputs are TTL and CMOS compatible to allow the SW-06 to upgrade existing designs. The logic "0" and logic "1" input currents are at micro-ampere levels reducing loading on CMOS and TTL logic.

FUNCTIONAL DIAGRAM



TRUTH TABLE

DISABLE INPUT	LOGIC INPUT	SWITCH STATE	
		CHANNELS 1 & 2	CHANNELS 3 & 4
0	X	OFF	OFF
1 or NC	0	OFF	ON
1 or NC	1	ON	OFF

ABSOLUTE MAXIMUM RATINGS (Note 1)

Operating Temperature Range	SW-06BQ, BRC -55°C to +125°C
	SW-06FQ -40°C to +85°C
	SW-06GP, GS -40°C to +85°C
Storage Temperature Range -65°C to +150°C
Lead Temperature (Soldering, 60 sec) 300°C
Maximum Junction Temperature 150°C
V+ Supply To V- Supply 36V
V+ Supply to Ground 36V
Logic Input Voltage (-4V or V-) to V+ Supply
Analog Input Voltage Range	
Continuous V- Supply to V+ Supply +20V

Maximum Current Through
Any Pin Including Switch 30mA

PACKAGE TYPE	θ_{JA} (Note 2)	θ_{JC}	UNITS
16-Pin Hermetic DIP (Q)	100	16	°C/W
16-Pin Plastic DIP (P)	82	39	°C/W
20-Contact LCC (RC)	98	38	°C/W
16-Pin SOL (S)	98	30	°C/W

NOTES:

1. Absolute maximum ratings apply to both DICE and packaged parts, unless otherwise noted.
2. θ_{JA} is specified for worst case mounting conditions, i.e., θ_{JA} is specified for device in socket for CerDIP, P-DIP, and LCC packages; θ_{JA} is specified for device soldered to printed circuit board for SO package.

ELECTRICAL CHARACTERISTICS at V+ = 15V, V- = -15V and T_A = 25°C, unless otherwise noted.

PARAMETER	SYMBOL	CONDITIONS	SW-06B			SW-06F			SW-06G			UNITS
			MIN	TYP	MAX	MIN	TYP	MAX	MIN	TYP	MAX	
"ON" Resistance	R _{ON}	V _S = 0V, I _S = 1mA V _S = ±10V, I _S = 1mA	—	60	80	—	60	100	—	100	150	Ω
R _{ON} Match Between Switches	R _{ON} Match	V _S = 0V, I _S = 100μA (Note 1)	—	5	10	—	5	20	—	—	20	%
Analog Voltage Range	V _A	I _S = 1mA (Note 8) I _S = 1mA	+10	+11	—	+10	+11	—	+10	+11	—	V
Analog Current Range	I _A	V _S = ±10V	10	15	—	7	12	—	5	10	—	mA
ΔR _{ON} vs Applied Voltage	ΔR _{ON}	-10V ≤ V _S ≤ 10V, I _S = 1.0mA	—	5	15	—	10	20	—	10	20	%
Source Current in "OFF" Condition	I _{S(OFF)}	V _S = 10V, V _D = -10V (Note 5)	—	0.3	2.0	—	0.3	2.0	—	0.3	10	nA
Drain Current in "OFF" Condition	I _{D(OFF)}	V _S = 10V, V _D = -10V (Note 5)	—	0.3	2.0	—	0.3	2.0	—	0.3	10	nA
Source Current in "ON" Condition	I _{S(ON)+} I _{D(ON)}	V _S = V _D = ±10V (Note 5)	—	0.3	2.0	—	0.3	2.0	—	0.3	10	nA
Logical "1" Input Voltage	V _{INH}	Full Temperature Range (Notes 6, 8)	2.0	—	—	2.0	—	—	2.0	—	—	V
Logical "0" Input Voltage	V _{INL}	Full Temperature Range (Notes 6, 8)	—	—	0.8	—	—	0.8	—	—	0.8	V
Logical "1" Input Current	I _{INH}	V _{IN} = 2.0V to 15.0V (Note 4)	—	—	5	—	—	5	—	—	10	μA
Logical "0" Input	I _{INL}	V _{IN} = 0.8V	—	1.5	5.0	—	1.5	5.0	—	1.5	10.0	μA
Turn-On-Time	t _{ON}	See Switching Time Test Circuit (Notes 6, 9)	—	340	500	—	340	600	—	340	700	ns
Turn-Off-Time	t _{OFF}	See Switching Time Test Circuit (Notes 6, 9)	—	200	400	—	200	400	—	200	500	ns
Break-Before-Make Time	t _{ON} -t _{OFF}	(Note 3)	50	140	—	50	140	—	50	140	—	ns
Source Capacitance	C _{S(OFF)}	V _S = 0V (Note 5)	—	7.0	—	—	7.0	—	—	7.0	—	pF
Drain Capacitance	C _{D(OFF)}	V _S = 0V (Note 5)	—	5.5	—	—	5.5	—	—	5.5	—	pF
Channel "ON" Capacitance	C _{D(ON)+} C _{S(ON)}	V _S = V _D = 0V (Note 5)	—	15	—	—	15	—	—	15	—	pF
"OFF" Isolation	I _{SO(OFF)}	V _S = 5V _{RMS} , R _L = 680Ω, C _L = 7pF, f = 500kHz (Note 5)	—	58	—	—	58	—	—	58	—	dB
Crosstalk	C _T	V _S = 5V _{RMS} , R _L = 680Ω, C _L = 7pF, f = 500kHz (Note 5)	—	70	—	—	70	—	—	70	—	dB

ELECTRICAL CHARACTERISTICS at $V_+ = 15V$, $V_- = -15V$ and $T_A = 25^\circ C$, unless otherwise noted. *Continued*

PARAMETER	SYMBOL	CONDITIONS	SW-06B			SW-06F			SW-06G			UNITS
			MIN	TYP	MAX	MIN	TYP	MAX	MIN	TYP	MAX	
Positive Supply Current	I_+	All Channels "OFF", DIS = "0" (Note 5)	-	5.0	6.0	-	5.0	9.0	-	6.0	9.0	mA
Negative Supply Current	I_-	All Channels "OFF", DIS = "0" (Note 5)	-	3.0	5.0	-	4.0	7.0	-	4.0	7.0	mA
Ground Current	I_G	All Channels "ON" or "OFF" (Note 5)	-	3.0	4.0	-	3.0	4.0	-	3.0	5.0	mA

ELECTRICAL CHARACTERISTICS at $V_+ = 15V$, $V_- = -15V$, $-55^\circ C \leq T_A \leq +125^\circ C$ for SW-06BQ, $-40^\circ C \leq T_A \leq +85^\circ C$ for SW-06FQ and $-40^\circ C \leq T_A \leq +85^\circ C$ for SW-06GP/GS, unless otherwise noted.

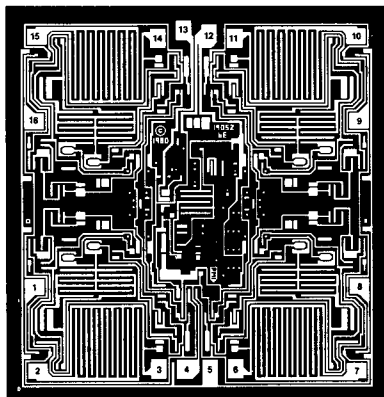
PARAMETER	SYMBOL	CONDITIONS	SW-06B			SW-06F			SW-06G			UNITS
			MIN	TYP	MAX	MIN	TYP	MAX	MIN	TYP	MAX	
Temperature Range	T_A	Operating	-55	-	125	-25	-	85	0	-	70	$^\circ C$
"ON" Resistance	R_{ON}	$V_S = 0V$, $I_S = 1.0mA$ $V_S = \pm 10V$, $I_S = 1.0mA$	-	75	110	-	75	125	-	75	175	Ω
R_{ON} Match Between Switches	R_{ON} Match	$V_S = 0V$, $I_S = 100\mu A$ (Note 1)	-	6	20	-	6	25	-	10	-	%
Analog Voltage Range	V_A	$I_S = 1.0mA$ (Note 8) $I_S = 1.0mA$	+10	+11	-	+10	+11	-	+10	+11	-	V
Analog Current Range	I_A	$V_S = \pm 10.0V$	7	12	-	5	11	-	-	11	-	mA
ΔR_{ON} With Applied Voltage	ΔR_{ON}	$-10V \leq V_S \leq +10V$, $I_S = 1.0mA$	-	10	-	-	12	-	-	15	-	%
Source Current in "OFF" Condition	$I_{S(OFF)}$	$V_S = 10V$, $V_D = -10V$, $T_A = \text{Max. Operating Temp.}$ (Notes 5, 7)	-	-	60	-	-	30	-	-	60	nA
Drain Current in "OFF" Condition	$I_{D(OFF)}$	$V_S = 10V$, $V_D = -10V$, $T_A = \text{Max. Operating Temp.}$ (Notes 5, 7)	-	-	60	-	-	30	-	-	60	nA
Leakage Current in "ON" Condition	$I_{S(ON)+}$ $I_{D(ON)}$	$V_S = V_D = \pm 10V$, $T_A = \text{Max. Operating Temp.}$ (Notes 5, 7)	-	-	100	-	-	30	-	-	60	nA
Logical "1" Input Current	I_{INH}	$V_{IN} = 2.0V$ to $15.0V$ (Note 4)	-	-	10	-	-	10	-	-	15	μA
Logical "0" Input Current	I_{INL}	$V_{IN} = 0.8V$	-	4	10	-	4	10	-	5	15	μA
Turn-On-Time	t_{ON}	See Switching Time Test Circuit (Notes 2, 6)	-	440	900	-	500	900	-	-	1000	ns
Turn-Off-Time	t_{OFF}	See Switching Time Test Circuit (Notes 2, 6)	-	300	500	-	330	500	-	-	500	ns
Break-Before-Make Time	$t_{ON}^{-1}t_{OFF}$	(Note 3)	-	70	-	-	70	-	-	50	-	ns
Positive Supply Current	I_+	All Channels "OFF" DIS = "0" (Note 5)	-	-	9.0	-	-	13.5	-	-	13.5	mA
Negative Supply Current	I_-	All Channels "OFF" DIS = "0" (Note 5)	-	-	7.5	-	-	10.5	-	-	10.5	mA
Ground Current	I_G	All Channels "ON" or "OFF" (Note 5)	-	-	6.0	-	-	7.5	-	-	7.5	mA

NOTES:

- $V_S = 0V$, $I_S = 100\mu A$. Specified as a percentage of $R_{AVERAGE}$ where:

$$R_{AVERAGE} = \frac{R_{ON1} + R_{ON2} + R_{ON3} + R_{ON4}}{4}$$
- Guaranteed by design.
- Switch is guaranteed by design to provide break-before-make operation.

- Current tested at $V_{IN} = 2.0V$. This is worst case condition.
- Switch being tested ON or OFF as indicated, $V_{INH} = 2.0V$ or $V_{INL} = 0.8V$, per logic truth table.
- Also applies to disable pin.
- Parameter tested only at $T_A = +125^\circ C$ for military grade device.
- Guaranteed by R_{ON} and leakage tests. For normal operation maximum analog signal voltages should be restricted to less than $(V_+) - 4V$.
- Sample tested.

DICE CHARACTERISTICS


DIE SIZE 0.101 × 0.097 inch, 9797 sq. mils
(2.565 × 2.464 mm, 6.320 sq. mm)

1. IN (1)
2. D (1)
3. S (1)
4. GND
5. V- (SUBSTRATE)
6. S (2)
7. D (2)
8. IN (2)
9. IN (3)
10. D (3)
11. S (3)
12. V+
13. DISABLE
14. S (4)
15. D (4)
16. IN (4)

For additional DICE ordering information, refer to 1990/91 Data Book, Section 2.

WAFER TEST LIMITS at $V_+ = 15V$, $V_- = -15V$, $T_A = 25^\circ C$, unless otherwise noted.

PARAMETER	SYMBOL	CONDITIONS	SW-06N LIMIT	SW-06G LIMIT	UNITS
"ON" Resistance	R_{ON}	$-10V \leq V_A \leq 10V$, $I_S \leq 1mA$	80	100	Ω MAX
R_{ON} Match Between Switches	R_{ON} Match	$V_A = 0V$, $I_S \leq 100\mu A$	15	20	% MAX
ΔR_{ON} vs V_A	ΔR_{ON}	$-10V \leq V_A \leq 10V$, $I_S \leq 1mA$	10	20	% MAX
Positive Supply Current	I_+	(Note 1)	6.0	9.0	mA MAX
Negative Supply Current	I_-	(Note 1)	5.0	7.0	mA MAX
Ground Current	I_G	(Note 1)	4.0	4.0	mA MAX
Analog Voltage Range	V_A	$I_S = 1mA$	± 10.0	± 10.0	V MIN
Logic "1" Input Voltage	V_{INH}	(Note 3)	2.0	2.0	V MIN
Logic "0" Input Voltage	V_{INL}	(Note 3)	0.8	0.8	V MAX
Logic "0" Input Current	I_{INL}	$0V \leq V_{IN} \leq 0.8V$	5.0	5.0	μA MAX
Logic "1" Input Current	I_{INH}	$2.0V \leq V_{IN} \leq 15V$ (Note 2)	5	5	μA MAX
Analog Current Range	I_A	$V_S = \pm 10V$	10	7	mA MIN

NOTE:

Electrical tests are performed at wafer probe to the limits shown. Due to variations in assembly methods and normal yield loss, yield after packaging is not guaranteed for standard product dice. Consult factory to negotiate specifications based on dice lot qualification through sample lot assembly and testing.

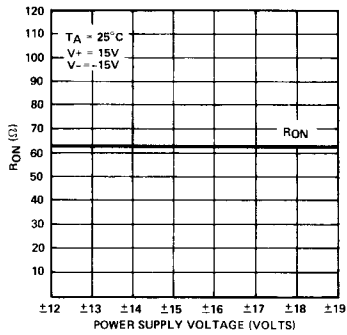
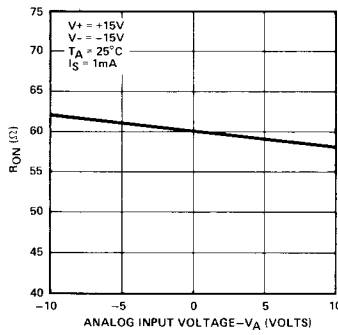
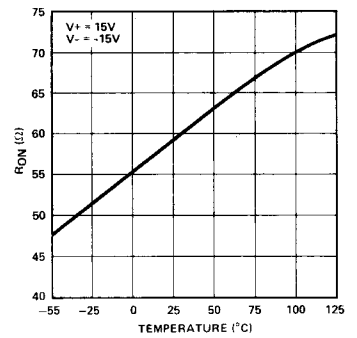
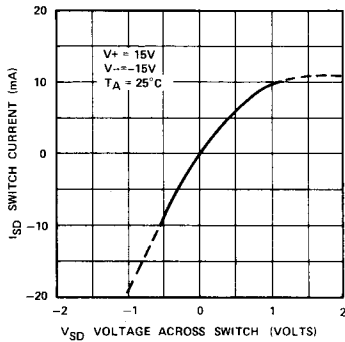
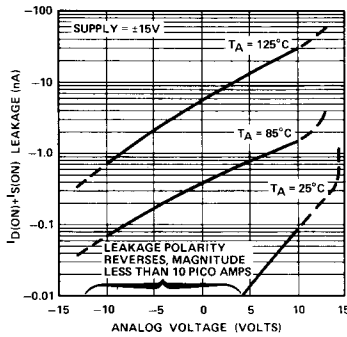
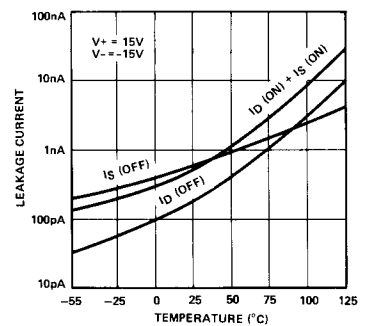
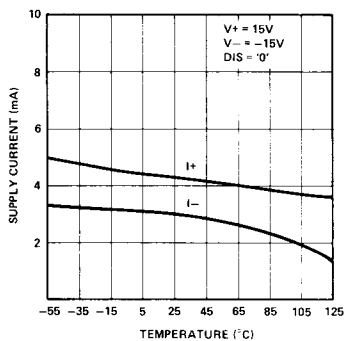
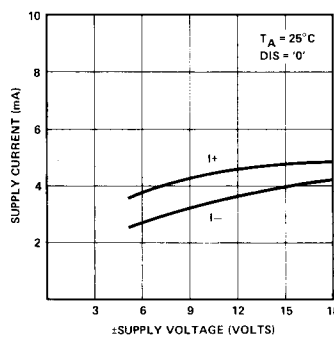
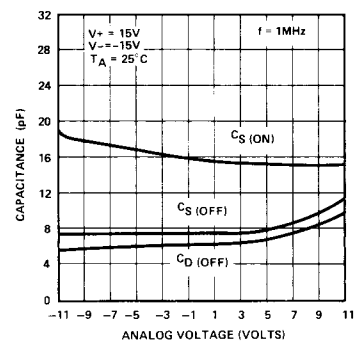
TYPICAL ELECTRICAL CHARACTERISTICS at $V_+ = 15V$, $V_- = -15V$ and $T_A = 25^\circ C$, unless otherwise noted.

PARAMETER	SYMBOL	CONDITIONS	SW-06N TYPICAL	SW-06G TYPICAL	UNITS
"ON" Resistance	R_{ON}	$-10V \leq V_A \leq 10V$, $I_S \leq 1mA$	60	60	Ω
Turn-On-Time	t_{ON}		340	340	ns
Turn-Off-Time	t_{OFF}		200	200	ns
Drain Current in "OFF" Condition	$I_{D(OFF)}$	$V_S = 10V$, $V_D = -10V$	0.3	0.3	nA
"OFF" Isolation	$I_{SO(OFF)}$	$f = 500kHz$, $R_L = 680\Omega$	58	58	dB
Crosstalk	C_T	$f = 500kHz$, $R_L = 680\Omega$	70	70	dB

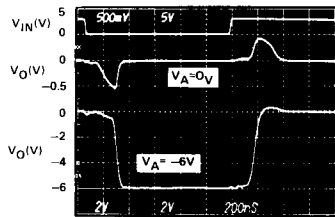
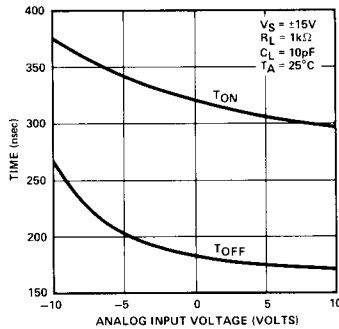
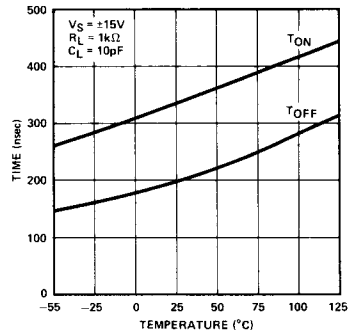
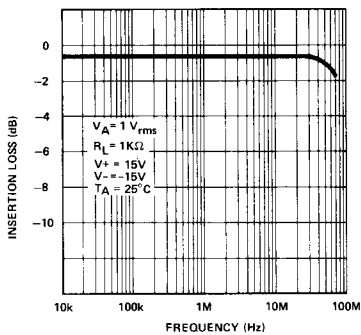
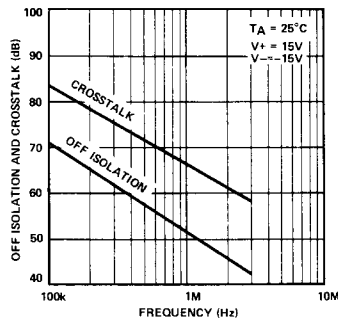
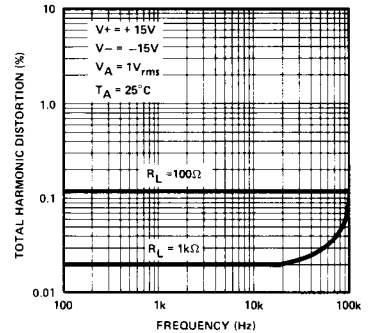
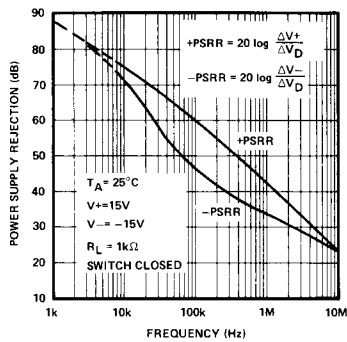
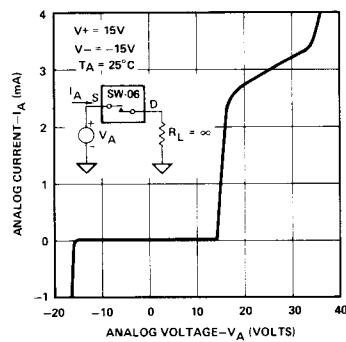
NOTES:

1. Power supply and ground current specified for switch "ON" or "OFF".
2. Current tested at $V_{IN} = 2.0V$. This is worst case condition.
3. Guaranteed by R_{ON} and leakage tests.

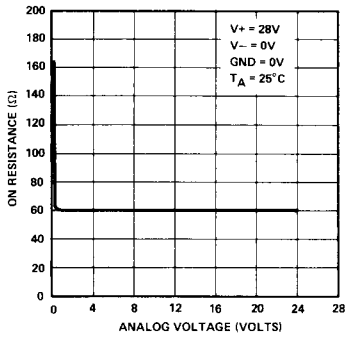
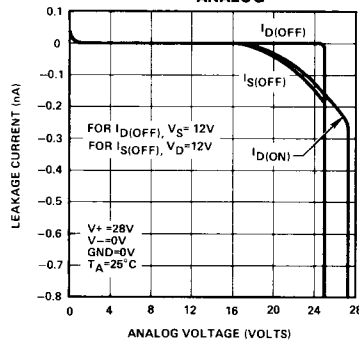
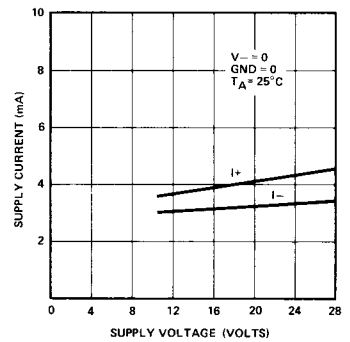
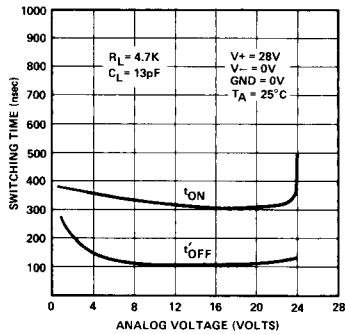
TYPICAL PERFORMANCE CHARACTERISTICS

"ON" RESISTANCE vs POWER SUPPLY VOLTAGE

"ON" RESISTANCE vs ANALOG VOLTAGE

RON vs TEMPERATURE

SWITCH CURRENT vs VOLTAGE

LEAKAGE CURRENT vs ANALOG VOLTAGE

LEAKAGE CURRENT vs TEMPERATURE

SUPPLY CURRENT vs TEMPERATURE

SUPPLY CURRENT vs SUPPLY VOLTAGE

SWITCH CAPACITANCE vs ANALOG VOLTAGE


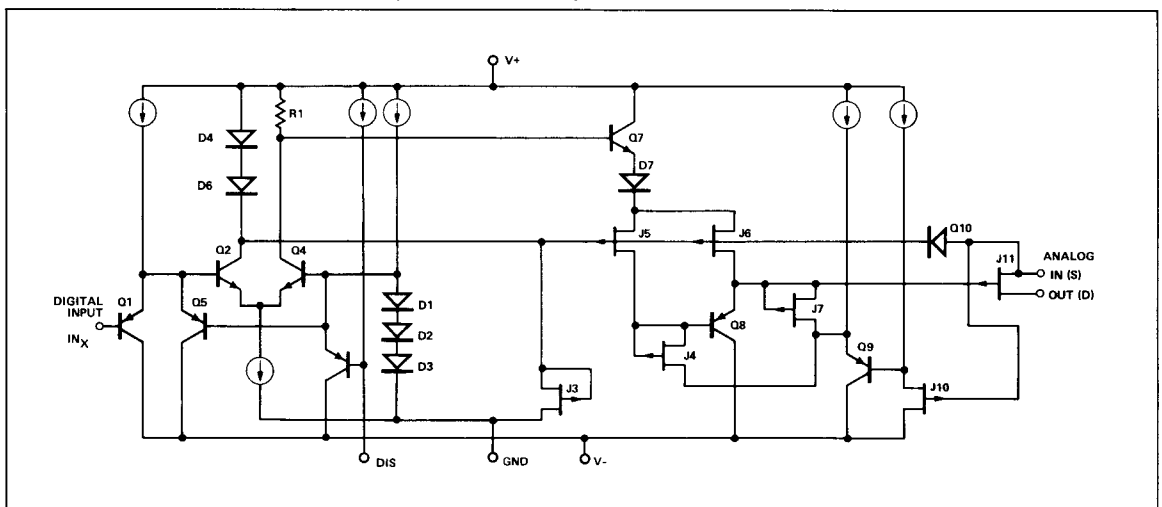
TYPICAL PERFORMANCE CHARACTERISTICS

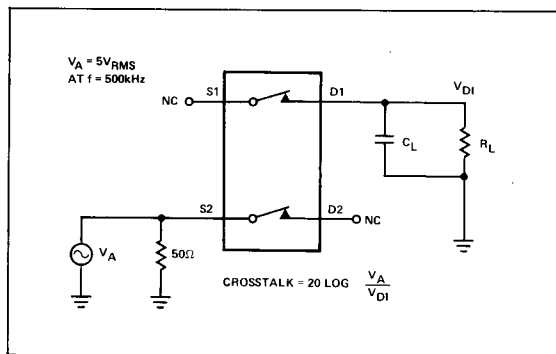
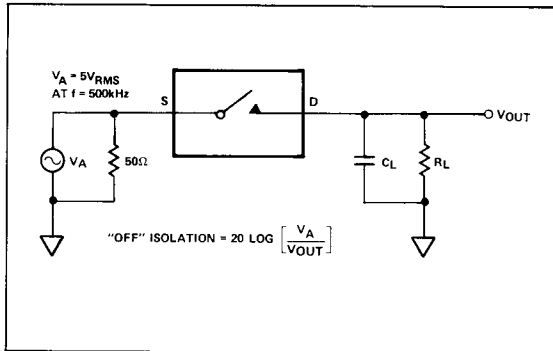
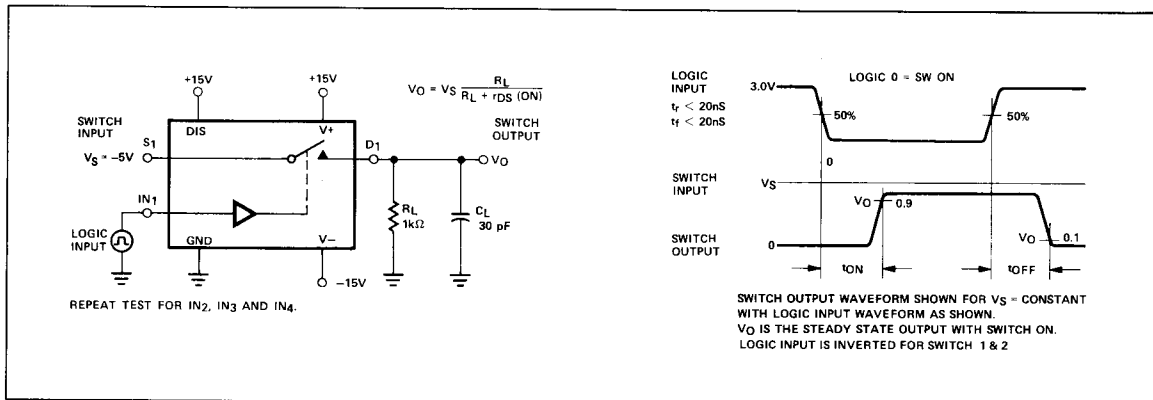
 **T_{ON}/T_{OFF}
SWITCHING RESPONSE**

**SWITCHING TIME
vs ANALOG VOLTAGE**

**SWITCHING TIME
vs TEMPERATURE**

**INSERTION LOSS
vs FREQUENCY**

**CROSSTALK AND "OFF"
ISOLATION vs FREQUENCY**

**TOTAL HARMONIC
DISTORTION**

**POWER SUPPLY REJECTION
vs FREQUENCY**

**OVERVOLTAGE
CHARACTERISTICS**


TYPICAL PERFORMANCE CHARACTERISTICS (OPERATING SINGLE SUPPLY)

"ON" RESISTANCE vs ANALOG VOLTAGE

LEAKAGE CURRENT vs V_{ANALOG}

SUPPLY CURRENT vs SUPPLY VOLTAGE

SWITCHING TIME vs SUPPLY VOLTAGE


NOTE: These single-supply-operation characteristic curves are valid when the negative power supply V_- is tied to the logic ground reference pin "GND". TTL input compatibility is still maintained when "GND" is the same potential as the TTL ground. t_{OFF} is measured from 50% of logic input waveform to 0.9 V_O . The analog voltage range extends from 0 to $V_+ - 4V$, the switch will no longer respond to logic control when V_A is within 4 volts of V_+ .

SIMPLIFIED SCHEMATIC DIAGRAM (TYPICAL SWITCH)


OFF ISOLATION TEST CIRCUIT

SWITCHING TIME TEST CIRCUIT


ANALOG CURRENT

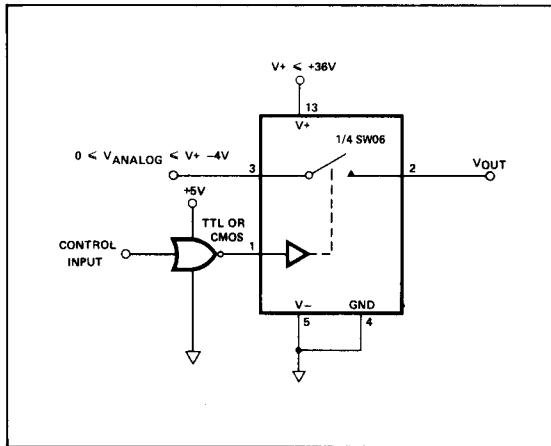
The analog switches in the ON state are JFETs biased in their triode region and act as switches for analog current up to the I_A specification (see plot of I_{DS} vs V_{DS}). Some applications require pulsed currents exceeding the I_A spec. For example, an integrator reset switch discharging a shunt capacitor will produce a peak current of $I_{A(PEAK)} = V_{CAP}/R_{DS(ON)}$. In this application, it is best to connect the source to the most positive end of the capacitor, thereby achieving the lowest switch resistance and fastest reset times. The switch can easily handle any amount of capacitor discharge current subject only to the maximum heat dissipation of the package and the maximum operating junction temperature from which repetition rates can be established.

SWITCHING

Switching time t_{ON} and t_{OFF} characteristics are plotted versus V_{ANALOG} and temperature. In all cases, t_{OFF} is designed faster than t_{ON} to insure a break-before-make interval for SPDT and DPDT applications. The disable input (DIS) has the same switching times (t_{ON} and t_{OFF}) as the logic inputs (IN_X).

TYPICAL APPLICATIONS

OPERATION FROM SINGLE POSITIVE POWER SUPPLY



Switching transients occurring at the source and drain contacts results from AC coupling of the switching FETs gate-to-source and gate-to-drain coupling capacitance. The switch turn ON will cause a negative going spike to occur and the turn OFF will cause a positive spike to occur. These spikes can be reduced by additional capacitance loading, lower values of R_L , or switching an additional switch (with its extra contact floating) to the opposite state connected to the spike sensitive node.

DISABLE NODE

This TTL compatible node is similar to the logic inputs IN_X but has an internal $2\mu A$ current source pull-up. If disable is left unconnected, it will assume the logic "1" state, then the state of the switches is controlled only by the logic inputs IN_X .

POWER SUPPLIES

This product operates with power supply voltages ranging from ± 12 to ± 18 volts; however, the specifications only guarantee device parameters with ± 15 volt $\pm 5\%$ power supplies. The power supply sensitive parameters have plots to indicate effects of supply voltages other than ± 15 volts.

4-CHANNEL SAMPLE HOLD AMPLIFIER

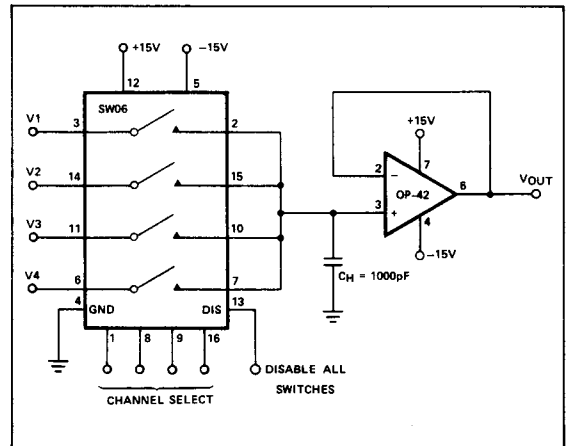
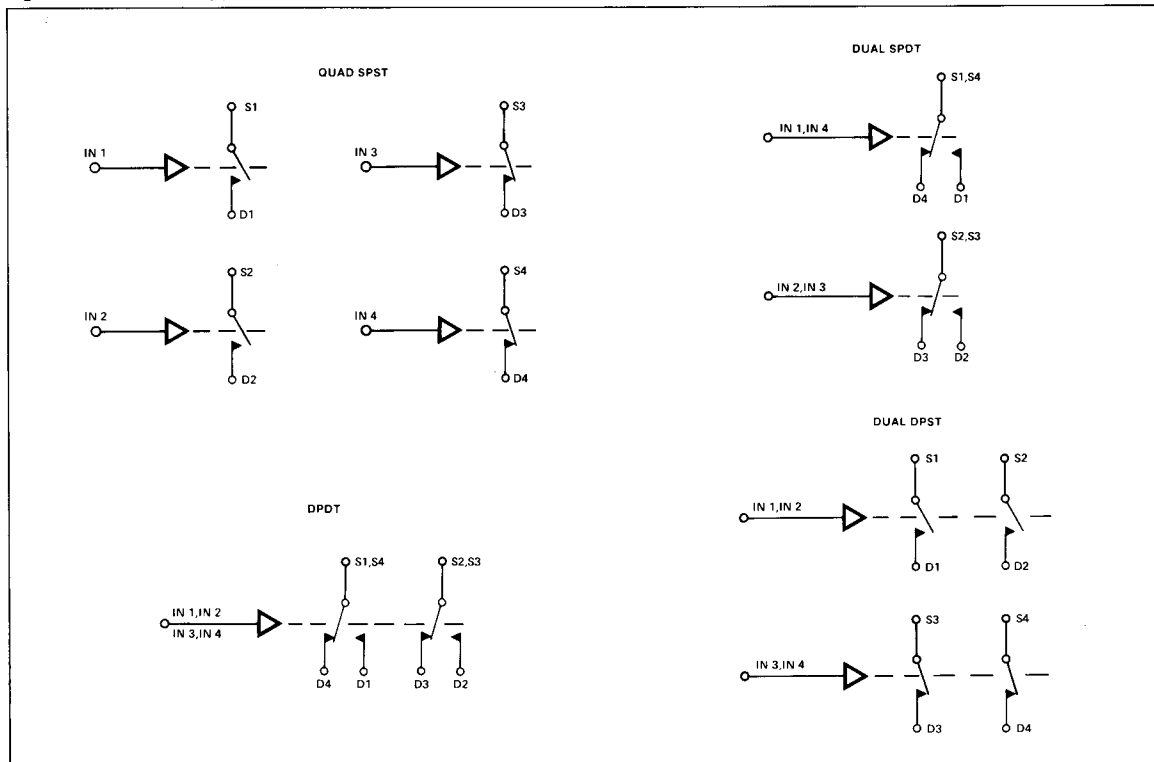


Figure 1: Functional Applications of SW-06



APPLICATIONS INFORMATION

This single analog switch product configures, by appropriate pin connections, into four switch applications. As shown in Figure 1, the SW-06 connects as a QUAD SPST, a DUAL SPDT, a DUAL DPST, or a DPDT analog switch. This versatility increases further when taking advantage of the disable input (DIS) which turns all switches OFF when taken active low.

Ion-implantation of the JFET analog switch achieves low ON resistance and tight channel to channel matching. Combining the low ON resistance and low leakage currents results in a worst case voltage error figure $V_{\text{ERROR}} @ 125^{\circ}\text{C} = I_{\text{D(ON)}} \times R_{\text{SD(ON)}} = 100\text{nA} \times 100\Omega = 11 \text{ microvolts}$. This amount of error is negligible considering dissimilar-metal thermally-induced offsets will be in the 5 to 15 microvolt range.

LOGIC INPUTS

The logic inputs (IN_x) and disable input (DIS) are referenced to a TTL logic threshold value of two forward diode drops (1.4V at 25°C) above the GND terminal. These inputs use PNP transistors which draw maximum current at a logic "0" level and drops to a leakage current of a reverse biased diode as the logic input voltage raises above 1.4 volts. Any logic input voltage greater than 2.0 volts becomes logic "1", less than 0.8 volts becomes logic "0" resulting in full TTL noise immunity not available from similar CMOS input analog

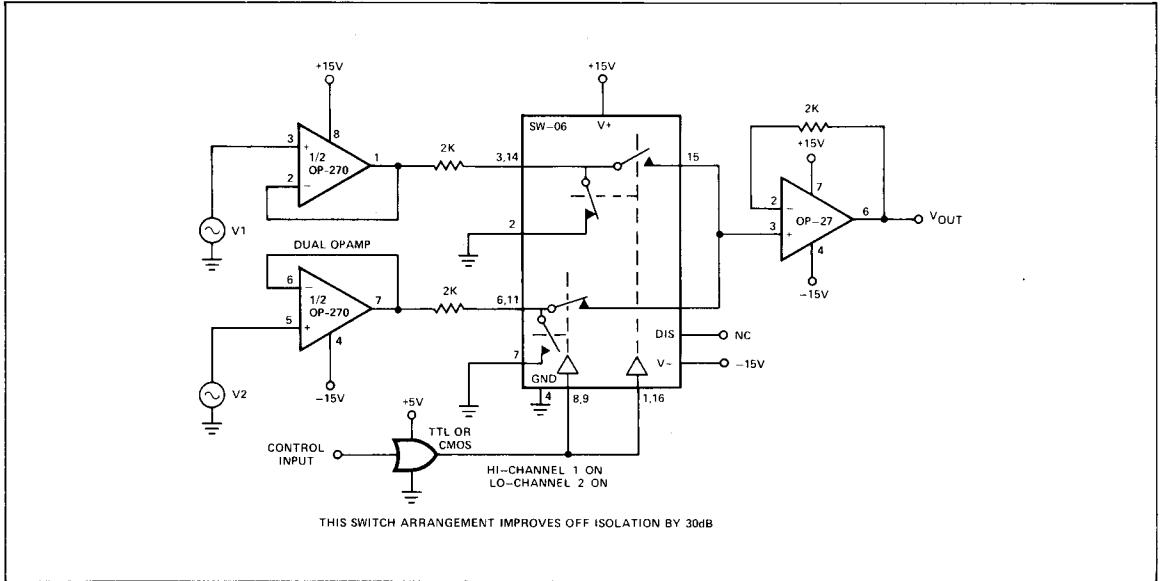
switches. The PNP transistor inputs require such low input current that the SW-06 approaches fan-ins of CMOS input devices. These bipolar logic inputs exceed any CMOS input circuit in resistance to static voltage and radiation susceptibility. No damage will occur to the SW-06 if logic high voltages are present when the SW-06 power supplies are OFF. When the $V+$ and $V-$ supplies are OFF, the logic inputs present a reverse bias diode loading to active logic inputs. Input logic thresholds are independent of $V+$ and $V-$ supplies making single $V+$ supply operation possible by simply connecting GND and $V-$ together to the logic ground supply.

ANALOG VOLTAGE AND CURRENT

ANALOG VOLTAGE

These switches have constant ON resistance for analog voltages from the negative power supply ($V-$) to within 4 volts of the positive power supply. This characteristic shown in the plots results in good total harmonic distortion, especially when compared to CMOS analog switches that have a 20 to 30 percent variation in ON resistance versus analog voltage. Positive analog input voltages should be restricted to 4 volts less than $V+$ assuring the switch remains open circuit in the OFF state. No increase in switch ON resistance occurs when operating at supply voltages less than ± 15 volts (see plot). Small signals have a 3dB down frequency of 70MHz (see insertion loss versus frequency plot).

HIGH OFF ISOLATION SELECTOR SWITCH (Shunt-Series Switch)



SINGLE POLE DOUBLE THROW SELECTOR SWITCH WITH BREAK-BEFORE-MAKE INTERVAL

