

# 54ACTQ16245

## 16-Bit Transceiver with TRI-STATE® Outputs

### General Description

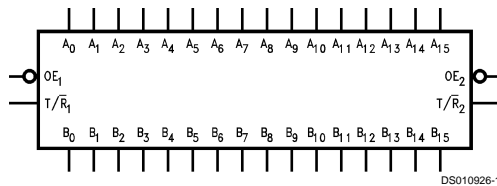
The 'ACTQ16245 contains sixteen non-inverting bidirectional buffers with TRI-STATE outputs and is intended for bus oriented applications. The device is byte controlled. Each has separate control inputs which can be shorted together for full 16-bit operation. The T/R inputs determine the direction of data flow through the device. The OE inputs disable both the A and B ports by placing them in a high impedance state.

The 'ACTQ16245 utilizes NSC Quiet Series technology to guarantee quiet output switching and improved dynamic threshold performance. FACT Quiet Series® features GTO® output control for superior performance.

### Features

- Utilizes NSC FACT Quiet Series technology
- Guaranteed simultaneous switching noise level and dynamic threshold performance
- Bidirectional non-inverting buffers
- Separate control logic for each byte
- 16-bit version of the 'ACTQ245
- Outputs source/sink 24 mA
- Standard Microcircuit Drawing (SMD) 5962-9562001

### Logic Symbol



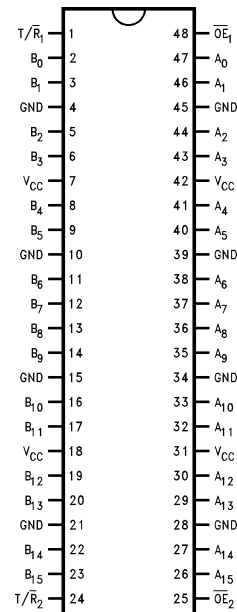
DS010926-1

### Pin Description

Pin Names	Description
$\overline{OE}_n$	Output Enable Input (Active Low)
T/R	Transmit/Receive Input
A <sub>0</sub> -A <sub>15</sub>	Side A Inputs/Outputs
B <sub>0</sub> -B <sub>15</sub>	Side B Outputs/Inputs

### Connection Diagram

Pin Assignment for CERPAK



DS010926-2

GTO™ is a trademark of National Semiconductor Corporation.  
 TRI-STATE® is a registered trademark of National Semiconductor Corporation.  
 FACT™ and FACT Quiet Series™ are trademarks of Fairchild Semiconductor Corporation.

## Functional Description

The 'ACTQ16245 contains sixteen non-inverting bidirectional buffers with TRI-STATE outputs. The device is byte controlled with each byte functioning identically, but independent of the other. The control pins can be shorted together to obtain full 16-bit operation. The following description applies to each byte. When the  $T/\bar{R}$  input is HIGH, then Bus A data

is transmitted to Bus B. When the  $T/\bar{R}$  input is LOW, Bus B data is transmitted to Bus A. The TRI-STATE outputs are controlled by an Output Enable ( $\overline{OE}_n$ ) input for each byte. When  $\overline{OE}_n$  is LOW, the outputs are in 2-state mode. When  $\overline{OE}_n$  is HIGH, the outputs are in the high impedance mode, but this does not interfere with entering new data into the inputs.

## Truth Tables

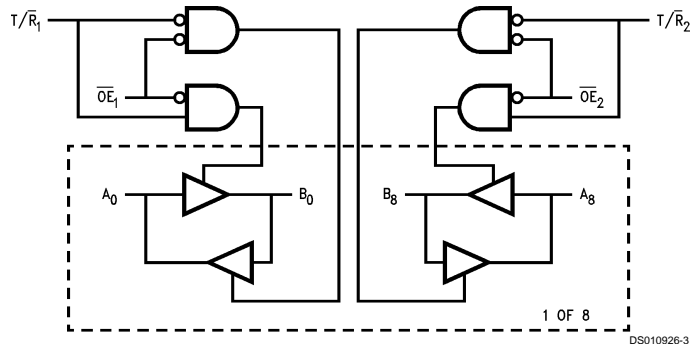
Inputs		Outputs
$\overline{OE}_1$	$T/\bar{R}_1$	
L	L	Bus B <sub>0</sub> -B <sub>7</sub> Data to Bus A <sub>0</sub> -A <sub>7</sub>
L	H	Bus A <sub>0</sub> -A <sub>7</sub> Data to Bus B <sub>0</sub> -B <sub>7</sub>
H	X	HIGH-Z State on A <sub>0</sub> -A <sub>7</sub> , B <sub>0</sub> -B <sub>7</sub>

Inputs		Outputs
$\overline{OE}_2$	$T/\bar{R}_2$	
L	L	Bus B <sub>8</sub> -B <sub>15</sub> Data to Bus A <sub>8</sub> -A <sub>15</sub>
L	H	Bus A <sub>8</sub> -A <sub>15</sub> Data to Bus B <sub>8</sub> -B <sub>15</sub>
H	X	HIGH-Z State on A <sub>8</sub> -A <sub>15</sub> , B <sub>8</sub> -B <sub>15</sub>

H = High Voltage Level  
 L = Low Voltage Level  
 X = Immaterial  
 Z = High Impedance

## Logic Diagram



## Absolute Maximum Ratings (Note 1)

If Military/Aerospace specified devices are required, please contact the National Semiconductor Sales Office/Distributors for availability and specifications.

Supply Voltage ( $V_{CC}$ )	-0.5V to +7.0V
DC Input Diode Current ( $I_{IK}$ )	
$V_I = -0.5V$	-20 mA
$V_I = V_{CC} + 0.5V$	+20 mA
DC Output Diode Current ( $I_{OK}$ )	
$V_O = -0.5V$	-20 mA
$V_O = V_{CC} + 0.5V$	+20 mA
DC Output Voltage ( $V_O$ )	-0.5V to $V_{CC} + 0.5V$
DC Output Source/Sink Current ( $I_O$ )	±50 mA
DC $V_{CC}$ or Ground Current per Output Pin	±50 mA
Junction Temperature	
C-DIP	+175°C
Storage Temperature	-65°C to +150°C

## Recommended Operating Conditions

Supply Voltage ( $V_{CC}$ )	
'ACTQ	4.5V to 5.5V
Input Voltage ( $V_I$ )	0V to $V_{CC}$
Output Voltage ( $V_O$ )	0V to $V_{CC}$
Operating Temperature ( $T_A$ )	
54ACTQ	-55°C to +125°C
Minimum Input Edge Rate (dV/dt)	
'ACTQ Devices	125 mV/ns
$V_{IN}$ from 0.8V to 2.0V	
$V_{CC}$ @ 4.5V, 5.5V	

**Note 1:** Absolute maximum ratings are those values beyond which damage to the device may occur. The databook specifications should be met, without exception to ensure that the system design is reliable over its power supply, temperature, and output/input loading variables. National does not recommend operation of FACT™ circuits outside databook specifications.

## DC Electrical Characteristics for 'ACTQ Family Devices

Symbol	Parameter	$V_{CC}$ (V)	54ACTQ	Units	Conditions
			$T_A = -55^\circ\text{C to } +125^\circ\text{C}$		
			Guaranteed Limits		
$V_{IH}$	Minimum High Input Voltage	4.5	2.0	V	$V_{OUT} = 0.1V$ or $V_{CC} - 0.1V$
		5.5	2.0		
$V_{IL}$	Maximum Low Input Voltage	4.5	0.8	V	$V_{OUT} = 0.1V$ or $V_{CC} - 0.1V$
		5.5	0.8		
$V_{OH}$	Minimum High Output Voltage	4.5	4.4	V	$I_{OUT} = -50 \mu A$
		5.5	5.4		
		4.5	3.70	V	(Note 2) $V_{IN} = V_{IL}$ or $V_{IH}$ $I_{OH} = -24 \text{ mA}$ $I_{OH} = -24 \text{ mA}$
		5.5	4.70		
$V_{OL}$	Maximum Low Output Voltage	4.5	0.1	V	$I_{OUT} = 50 \mu A$
		5.5	0.1		
		4.5	0.50	V	(Note 2) $V_{IN} = V_{IL}$ or $V_{IH}$ $I_{OL} = 24 \text{ mA}$ $I_{OL} = 24 \text{ mA}$
		5.5	0.50		
$I_{OZT}$	Maximum I/O Leakage Current	5.5	±10.0	μA	$V_I = V_{IL}, V_{IH}$ $V_O = V_{CC}, \text{GND}$
$I_{IN}$	Maximum Input Leakage Current	5.5	±1.0	μA	$V_I = V_{CC}, \text{GND}$
$I_{CCT}$	Maximum $I_{CC}/I_{input}$	5.5	1.6	mA	$V_I = V_{CC} - 2.1V$
$I_{CC}$	Max Quiescent Supply Current	5.5	160.0	μA	$V_{IN} = V_{CC}$ or GND (Note 6)
$I_{OLD}$	Minimum Dynamic Output Current (Note 3)	5.5	50	mA	$V_{OLD} = 1.65V \text{ Max}$
$I_{OHD}$	Output Current (Note 3)		50	mA	$V_{OHD} = 3.85V \text{ Min}$
$V_{OLP}$	Quiet Output Maximum Dynamic $V_{OL}$	5.0	0.8	V	(Notes 4, 5)
$V_{OLV}$	Quiet Output Minimum Dynamic $V_{OL}$	5.0	-0.8	V	(Notes 4, 5)

**Note 2:** All outputs loaded; thresholds associated with output under test.

**Note 3:** Maximum test duration 2.0 ms; one output loaded at a time.

## DC Electrical Characteristics for 'ACTQ Family Devices (Continued)

**Note 4:** Maximum number of outputs that can switch simultaneously is  $n$ . ( $n - 1$ ) outputs are switched LOW and one output held LOW.

**Note 5:** Maximum number of outputs that can switch simultaneously is  $n$ . ( $n - 1$ ) outputs are switched HIGH and one output held HIGH.

**Note 6:**  $I_{CC}$  for 54ACTQ @ 25°C is identical to 74ACTQ @ 25°C.

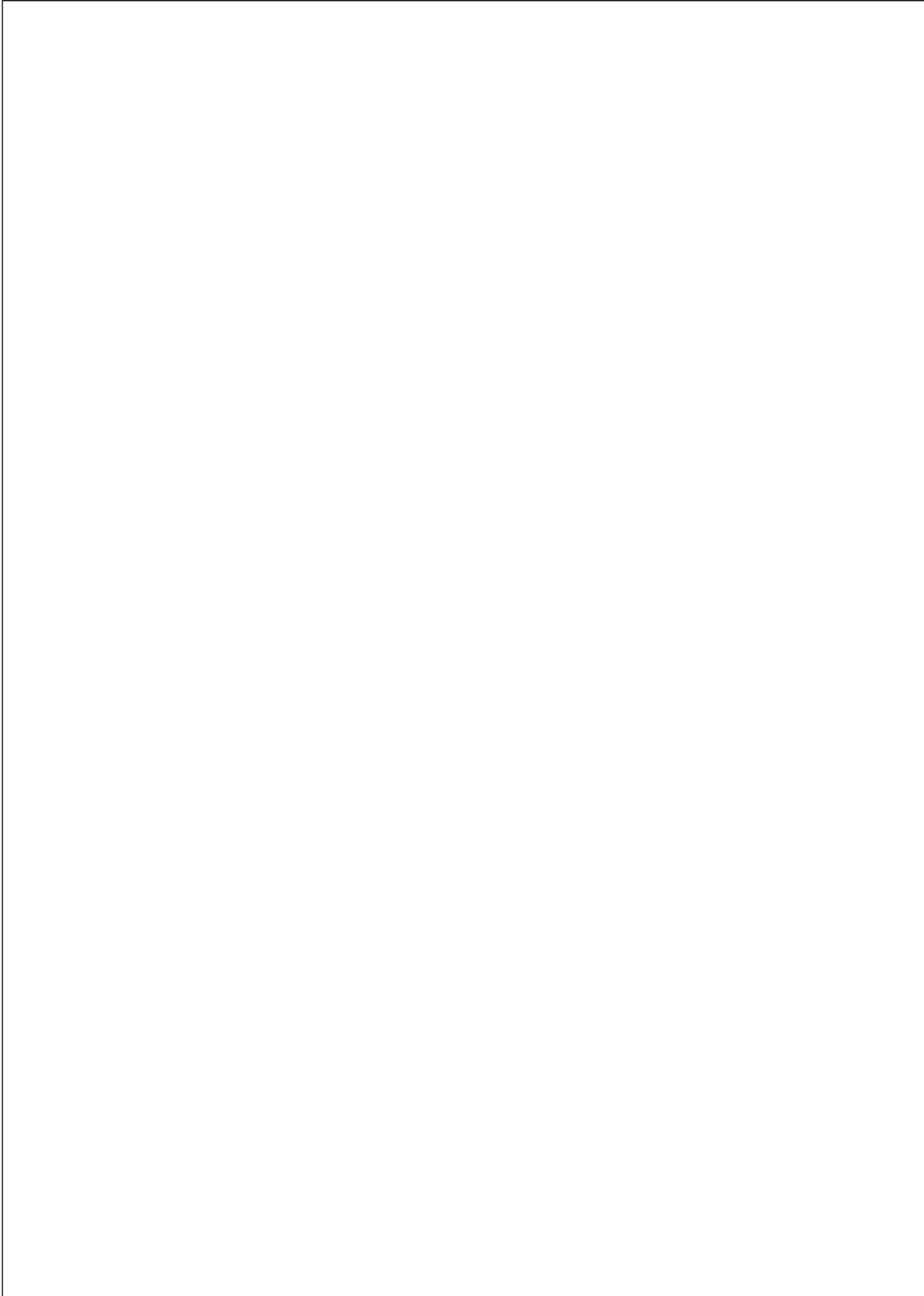
## AC Electrical Characteristics

Symbol	Parameter	$V_{CC}$ (V) (Note 7)	54ACTQ		Units
			$T_A =$ -55°C to +125°C $C_L = 50$ pF		
			Min	Max	
$t_{PLH}$ , $t_{PHL}$	Propagation Delay $A_n$ , $B_n$ to $B_n$ , $A_n$	5.0	2.0 2.0	9.5 9.5	ns
$t_{PZH}$ , $t_{PZL}$	Output Enable Time	5.0	2.5 2.5	11.0 13.0	ns
$t_{PHZ}$ , $t_{PLZ}$	Output Disable Time	5.0	1.5 1.5	9.5 9.5	ns

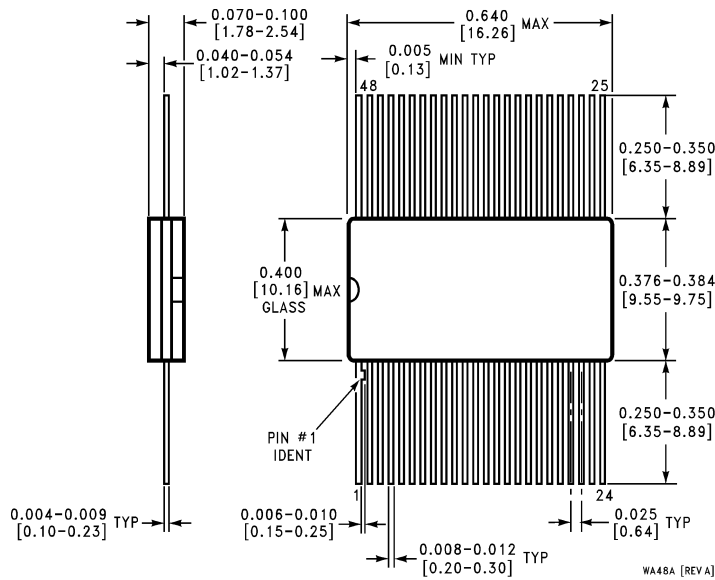
**Note 7:** Voltage Range 5.0 is 5.0V  $\pm$ 0.5V.

## Capacitance

Symbol	Parameter	Typ	Units	Conditions
$C_{IN}$	Input Pin Capacitance	4.5	pF	$V_{CC} = 5.0V$
$C_{PD}$	Power Dissipation	95	pF	$V_{CC} = 5.0V$



**Physical Dimensions** inches (millimeters) unless otherwise noted



**48-Lead CERPAK (F)  
 NS Package Number WA48A**

**LIFE SUPPORT POLICY**

NATIONAL'S PRODUCTS ARE NOT AUTHORIZED FOR USE AS CRITICAL COMPONENTS IN LIFE SUPPORT DEVICES OR SYSTEMS WITHOUT THE EXPRESS WRITTEN APPROVAL OF THE PRESIDENT OF NATIONAL SEMICONDUCTOR CORPORATION. As used herein:

1. Life support devices or systems are devices or systems which, (a) are intended for surgical implant into the body, or (b) support or sustain life, and whose failure to perform when properly used in accordance with instructions for use provided in the labeling, can be reasonably expected to result in a significant injury to the user.
2. A critical component in any component of a life support device or system whose failure to perform can be reasonably expected to cause the failure of the life support device or system, or to affect its safety or effectiveness.



**National Semiconductor Corporation**  
 Americas  
 Tel: 1-800-272-9959  
 Fax: 1-800-737-7018  
 Email: support@nsc.com

**National Semiconductor Europe**  
 Fax: +49 (0) 1 80-530 85 86  
 Email: europe.support@nsc.com  
 Deutsch Tel: +49 (0) 1 80-530 85 85  
 English Tel: +49 (0) 1 80-532 78 32  
 Français Tel: +49 (0) 1 80-532 93 58  
 Italiano Tel: +49 (0) 1 80-534 16 80

**National Semiconductor Asia Pacific Customer Response Group**  
 Tel: 65-2544466  
 Fax: 65-2504466  
 Email: sea.support@nsc.com

**National Semiconductor Japan Ltd.**  
 Tel: 81-3-5620-6175  
 Fax: 81-3-5620-6179

www.national.com

See Military/Aerospace Products

[Products](#) > [Military/Aerospace](#) > [Logic](#) > [FACT ACTQ](#) > [54ACTQ16245](#)

# 54ACTQ16245 Product Folder

## 16-Bit Transceiver with TRI-STATE Outputs

<a href="#">General Description</a>	<a href="#">Features</a>	<a href="#">Datasheet</a>	<a href="#">Package &amp; Models</a>	<a href="#">Samples &amp; Pricing</a>
-------------------------------------	--------------------------	---------------------------	--------------------------------------	---------------------------------------

### Datasheet

Title	Size in Kbytes	Date	<input type="checkbox"/> <a href="#">View Online</a>	<input type="checkbox"/> <a href="#">Download</a>	<input type="checkbox"/> <a href="#">Receive via Email</a>
54ACTQ16245 16-Bit Transceiver with TRI-STATE Outputs	72 Kbytes	3-Sep-98	<a href="#">View Online</a>	<a href="#">Download</a>	<a href="#">Receive via Email</a>
54ACTQ16245 Mil-Aero Datasheet MN54ACTQ16245-X	23 Kbytes		<a href="#">View Online</a>	<a href="#">Download</a>	<a href="#">Receive via Email</a>
54ACTQ16245 Mil-Aero Datasheet MV54ACTQ16245-X	23 Kbytes		<a href="#">View Online</a>	<a href="#">Download</a>	<a href="#">Receive via Email</a>

If you have trouble printing or viewing PDF file(s), see [Printing Problems](#).

### Package Availability, Models, Samples & Pricing

Part Number	Package			Status	Models		Samples & Electronic Orders	Budgetary Pricing		Std Pack Size	Package Marking
	Type	Pins	MSL		SPICE	IBIS		Qty	\$US each		
5962-9562001QXA (54ACTQ16245FMQB)	<a href="#">CERPACK</a>	48	<a href="#">MSL</a>	Full production	N/A	N/A	<input type="checkbox"/> <a href="#">Buy Now</a>	50+	\$20.0000	rail of 14	[logo]cZcSc4cASE 54ACTQ16245 FMQB/QcM5962-9562001QXA
5962R9562001QXA (54ACTQ16245FMQR)	<a href="#">CERPACK</a>	48	<a href="#">MSL</a>	Full production	N/A	N/A		50+	\$65.4000	rail of 14	[logo]cZcSc4cASE 54ACTQ16245 FMQR /QcM R9562001QXA
RM54ACTQ16245VX	<a href="#">CERPACK</a>	48	<a href="#">MSL</a>	Preliminary	N/A	N/A				rail of N/A	[logo]cZcSc4cASE RM54ACTQ1624 5VX WAFER # cR
5962R9562001VXA (54ACTQ16245WRQV)	<a href="#">CERPACK</a>	48	<a href="#">MSL</a>	Full production	N/A	N/A		50+	\$143.0000	rail of 14	[logo]cZcSc4cASE 54ACTQ16245 WRQV 5962 R9562001VXA
5962-9562001VXA (54ACTQ16245W-QV)	<a href="#">CERPACK</a>	48	<a href="#">MSL</a>	Full production	N/A	N/A		50+	\$138.0000	rail of 14	[logo]cZcSc4cASE 54ACTQ16245 W-QV 5962-9562001VXA

### General Description

The 'ACTQ16245 contains sixteen non-inverting bidirectional buffers with TRI-STATE outputs and is intended for bus oriented applications. The device is byte controlled. Each has separate control inputs which can be shorted together for full 16-bit operation. The T/R# inputs determine the direction of data flow through the device. The OE# inputs disable both the A and B ports by placing them in a high impedance state.

The 'ACTQ16245 utilizes NSC Quiet Series technology to guarantee quiet output switching and improved dynamic threshold performance. FACT Quiet Series features GTO output control for superior performance.

## Features

- Utilizes NSC FACT Quiet Series technology
- Guaranteed simultaneous switching noise level and dynamic threshold performance
- Bidirectional non-inverting buffers
- Separate control logic for each byte
- 16-bit version of the 'ACTQ245
- Outputs source/sink 24 mA
- Standard Microcircuit Drawing (SMD) 5962-9562001

*[Information as of 5-Aug-2002]*

---

**Search**

**[Design](#)**

**[Purchasing](#)**

**[Quality](#)**

**[Company](#)**

**[Home](#)**

---

[About Languages](#) . [Website Guide](#) . [About "Cookies"](#) . National is [QS 9000 Certified](#) . [Privacy/Security Statement](#) .  
[Contact Us](#) . [Site Terms & Conditions of Use](#) . Copyright 2002 © National Semiconductor Corporation . [My Preferences](#) .  
**[Feedback](#)**