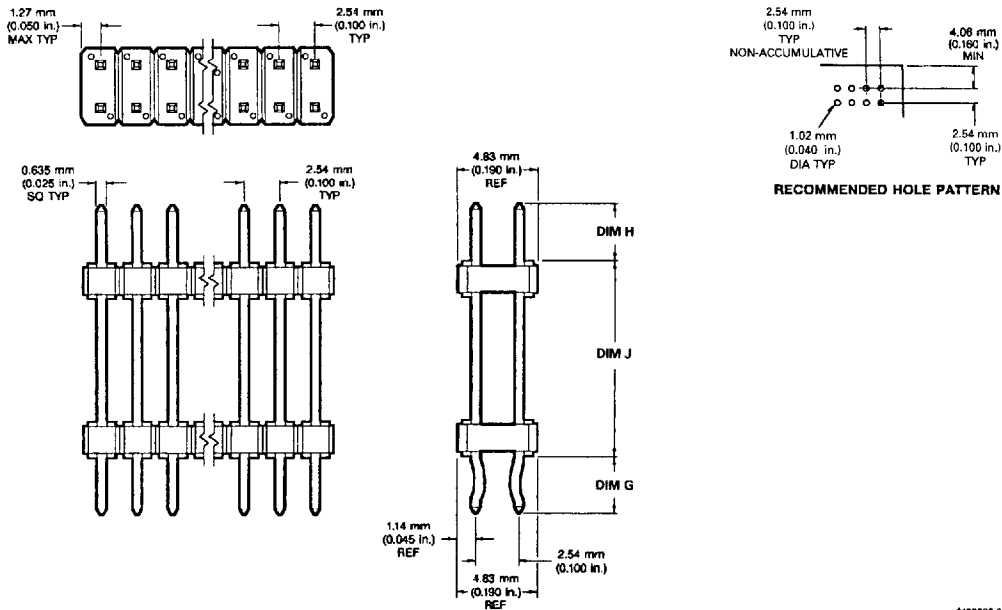


Unshrouded Headers
2.54 x 2.54 mm (0.100 x 0.100 in.)

Description
2-Row Railroad Track BergStik® II Headers
Retentive Leg

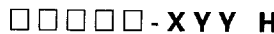


A103398 0983

Ordering Data

Base number specifies pin length and style

This digit specifies plating



These digits specify total number of positions (4 through 72 available)

High temperature plastic

Plating

0.76 µm (30 µin.) gold over 1.27 µm (50 µin.) nickel
 0.38 µm (15 µin.) gold over 1.27 µm (50 µin.) nickel
 1.27 µm (50 µin.) gold over 1.27 µm (50 µin.) nickel

-1YY
 -2YY
 -3YY

3.81 µm (150 µin.) tin-lead
 0.38 µm (15 µin.) GXT™ over 1.27 µm (50 µin.) nickel
 0.76 µm (30 µin.) GXT™ over 1.27 µm (50 µin.) nickel

-4YY
 -5YY
 -6YY

Part Numbers	Dimensions					
	H-Mating Length		G-Tail Length		J-Board to Board (Height Above Board)	
	mm	in.	mm	in.	mm	in.
87450-XYHH	3.05	0.120	3.05	0.120	15.24	0.600
87451-XYHH	3.05	0.120	3.05	0.120	19.05	0.750
71733-XYHH	5.08	0.200	3.05	0.120	15.24	0.600
88715-XYHH	5.33	0.210	3.05	0.120	7.87	0.310
93978-XYHH	5.84	0.230	2.16	0.085	17.78	0.700
88808-XYHH	5.84	0.230	3.05	0.120	5.08	0.200
71278-XYHH	5.84	0.230	3.05	0.120	5.69	0.224
95779-XYHH	5.84	0.230	3.05	0.120	7.87	0.310
71259-XYHH	5.84	0.230	3.05	0.120	9.91	0.390
92663-XYHH	5.84	0.230	3.05	0.120	11.43	0.450
95778-XYHH	5.84	0.230	3.05	0.120	26.92	1.060
86823-XYHH	6.35	0.250	3.05	0.120	9.91	0.390
95090-XYHH	6.48	0.255	3.05	0.120	16.89	0.665
94536-XYHH	6.48	0.255	3.05	0.120	23.24	0.915
89696-XYHH	7.11	0.280	3.05	0.120	13.72	0.540
87919-XYHH	7.37	0.290	3.05	0.120	10.67	0.420
87048-XYHH	7.49	0.295	3.05	0.120	23.50	0.925
89579-XYHH	7.87	0.310	3.05	0.120	12.70	0.500
93968-XYHH	8.08	0.318	3.05	0.120	9.53	0.375
94622-XYHH	8.38	0.330	3.05	0.120	6.35	0.250
92028-XYHH	9.47	0.373	3.05	0.120	17.53	0.690
95708-XYHH	10.03	0.395	3.05	0.120	5.08	0.200
71260-XYHH	10.03	0.395	3.05	0.120	11.43	0.450
95606-XYHH	10.03	0.395	3.05	0.120	15.24	0.600
95034-XYHH	10.03	0.395	3.05	0.120	19.05	0.750
94618-XYHH	10.16	0.400	3.05	0.120	7.62	0.300

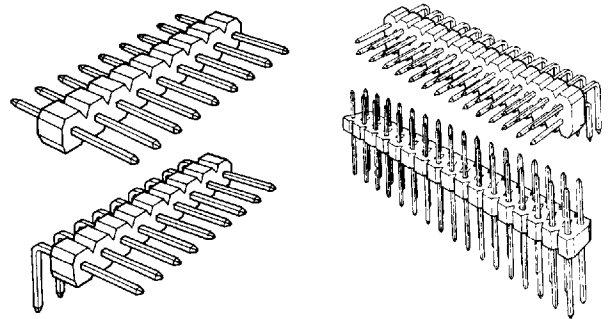
Ordering data shown is for our standard product offering. For non-standard or custom products, contact your authorized Berg Electronics representative.

9005411 0002574 683

Unshrouded Headers

2.54 x 2.54 mm (0.100 x 0.100 in.)
Centerlines

BergStik® II Headers
BergCon® System



A183396-0775

Features

- 1-Row: 1 through 36 total positions.
2-Row: 2 through 72 total positions.
3-Row: 9 through 108 total positions.
- End-to-end and side-to-side stackable on 2.54 mm (0.100 in.) centerlines.
- Can be manually broken to the desired length.
- Drawn (not stamped) 0.64 mm (0.025 in.) square wire presents four surfaces of equal quality.
- Standoffs allow cleaning to eliminate soldering contaminants.
- Optional retention tail provides 2.224 N (0.5 lbf) minimum retention prior to soldering on 1.58 mm (0.062 in.) thick pc boards.
- High-temperature plastic for infra-red soldering operations.
- Available with gold, GXT™ (palladium nickel alloy with gold flash) and tin-lead platings.

Options

- Advanced ground.
- Retentive leg solder tails.
- Custom polarization available.

Mating Data


Mates with 0.64 mm (0.025 in.) compatible receptacles on 2.54 mm (0.100 in.) centerlines.


Berg Electronics Products	Page
▪ Card Connectors	13-122, 13-132, and 13-136
▪ PV™/Mini-latch Housing	13-4 and 13-16
▪ Quickie III™	23-4
▪ Clincher™	20-2
▪ Mini-jump™	13-44

Specifications

- MIL-G-45204
- MIL-P-55110
- MIL-P-81728
- QQ-W-343
- ASTM B-159

Approvals and Certifications

 File no. E66906

 File no. LR46923

Application Equipment

Description	Page
▪ Cutting tool HT-320	13-69

Technical Data

Materials

- Housing material High temperature, Glass-filled PCT (UL 94 V-0)
 - ▶ Color Black
 - ▶ Applicable soldering processes Wave, Vapor-phase, IR reflow
- Pin Phosphor-bronze

Plating

- Underplate 1.27 µm (50 µin.) nickel
- Finish 0.38 µm (15 µin.) gold or 0.76 µm (30 µin.) gold or 1.27 µm (50 µin.) gold or 0.38 µm (15 µin.) GXT™ or 0.76 µm (30 µin.) GXT™
- Finish 3.81 µm (150 µin.) tin-lead

Electrical Performance

- Insulation resistance 5000 MΩ min
- Withstanding voltage 1500 V ac rms (sea level)

- Current rating 3 amp continuous

Mechanical Performance

- Retentive leg insertion force* >44.48 N (10 lbf) max*
- Retentive leg connector retention 2.22 N (0.5 lbf) min*
- Contact retention (pin to housing) 8.88 N (2 lbf)

Operating Environment

- Temperature range -65°C to +130°C

Packaging

- Antistatic Bags
- Antistatic Tubes available on selected part numbers

*Per retentive pin-pair.

Customer Support Materials

Description	Order No.	Description	Order No.
Customer Product Drawings	By Part Number	Product Samples	Upon Request
Product Specifications	BUS-12-050	Test Data	Upon Request
Product Substitutions	Contact Technical Support		

■ 9005411 0002556 668 ■