



High-Speed CMOS 3.3V 8-Bit Transceiver with Bus Hold

FEATURES/BENEFITS

- 5V tolerant inputs and outputs
- Bus Hold feature holds last active state during 3-state operation
- 10 μ A I_{CCQ} quiescent power supply current
- Hot insertable
- 2.0V–3.6V V_{CC} supply operation
- ± 24 mA balanced output drive
- Power down high impedance inputs and outputs
- Input hysteresis for noise immunity
- Meets or exceeds JEDEC Standard 36 specifications
- Multiple power and ground pins for low noise
- Operating temperature range:
–40°C to 85°C
- Latch-up performance exceeds 500mA
- ESD performance:
Human body model > 2000V
Machine model > 200V
- Packages available:
20-pin QSOP
20-pin SOIC
20-pin TSSOP

DESCRIPTION

The LVCH245A is an 8-bit non-inverting transceiver that has three-state outputs which are useful for bus-oriented applications. The Transmit/Receive (T/R) input determines the direction of data flow, either from A to B or B to A, and the Output Enable (\overline{OE}) inputs enables the selected port for output. The 3.3V LVC family features low power, low switching noise, and fast switching speeds for low power portable applications as well as high-end, advanced workstation applications. 5V tolerant inputs and outputs allow this LVC product to be used in mixed-voltage applications. Active Bus Hold feature on LVCH245A retains last valid logic state at unused or floating data inputs, thus eliminating the need for external pull-up resistors. To accommodate hot-plug or live insertion applications, this product is designed not to load an active bus when V_{CC} is removed. However, during power up or power down sequence, \overline{OE} should be tied to V_{CC} to ensure high-impedance state on the outputs.

Figure 1. Functional Block Diagram

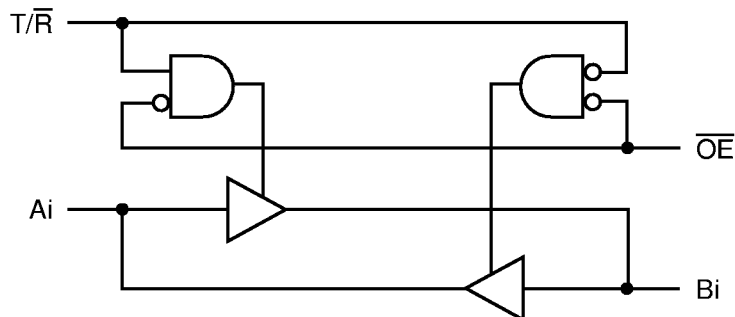


Figure 2. Pin Configuration
(All Pins Top View)

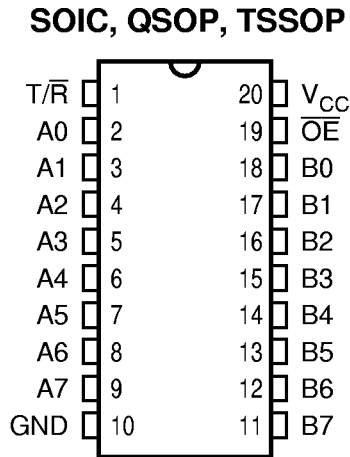


Table 1. Pin Description

Name	I/O	Description
Ai	I/O	Data Bus A
Bi	I/O	Data Bus B
\bar{T}/\bar{R}	I	Direction
\overline{OE}	I	Three-State Output Enable

Table 2. Function Table

\overline{OE}	\bar{T}/\bar{R}	A	B	Function
H	X	Hi-Z	Hi-Z	Disable
L	L	Output	Input	Bus B to Bus A
L	H	Input	Output	Bus A to Bus B

Table 3. Absolute Maximum Ratings

Supply Voltage to Ground	-0.5V to 7.0V
DC Output Voltage V_{OUT}	
Outputs HIGH-Z	-0.5V to 7.0V
Outputs Active	-0.5V to $V_{CC} + 0.5V$
DC Input Voltage V_{IN}	-0.5V to 7.0V
DC Input Diode Current with $V_{IN} < 0$	-50mA
DC Output Diode Current	
$V_O < 0$	-50mA
$V_O > V_{CC}$	50mA
DC Output Source/Sink Current (I_{OH}/I_{OL})	$\pm 50mA$
DC Supply Current per Supply Pin	$\pm 100mA$
DC Ground Current per Ground Pin	$\pm 100mA$
T_{STG} Storage Temperature	-65°C to 150°C

Note: Stresses greater than those listed under ABSOLUTE MAXIMUM RATINGS may cause permanent damage to this device resulting in functional or reliability type failures.

Table 4. Recommended Operating Conditions

Symbol	Parameter	Min	Max	Unit	
V _{CC}	Supply Voltage, Operating	2.0	3.6	V	
	Supply Voltage, Data Retention Only	1.5	3.6		
V _{IH}	Input HIGH Voltage	2.0	—	V	
V _{IL}	Input LOW Voltage	—	0.8	V	
V _{IN}	Input Voltage	0	5.5	V	
V _{OUT}	Output Voltage in Active State	0	V _{CC}	V	
	Output Voltage in "OFF" State	0	5.5		
I _{OH}	Output Current HIGH	V _{CC} = 3.0–3.6V	—	–24	mA
		V _{CC} = 2.7V	—	–12	
I _{OL}	Output Current LOW	V _{CC} = 3.0–3.6V	—	24	mA
		V _{CC} = 2.7V	—	12	
Δt/Δv	Input Transition Slew Rate	—	10	ns/V	
T _A	Operating Free Air Temperature	–40	85	°C	

Table 5. DC Electrical Characteristics Over Operating Range

Industrial Temperature Range, $T_A = -40^{\circ}\text{C}$ to 85°C

Symbol	Parameter	Test Conditions	Min	Typ ⁽¹⁾	Max	Unit
V_{OH}	Output HIGH Voltage	$V_{CC} = 2.7\text{V}$, $I_{OH} = -100\mu\text{A}$ $V_{CC} = 2.7\text{V}$, $I_{OH} = -12\text{mA}$ $V_{CC} = 3.0\text{V}$, $I_{OH} = -12\text{mA}$ $V_{CC} = 3.0\text{V}$, $I_{OH} = -24\text{mA}$	$V_{CC} - 0.2$ 2.2 2.4 2.2	— — — —	— — — —	V
V_{OL}	Output LOW Voltage	$V_{CC} = 2.7\text{V}$, $I_{OL} = 100\mu\text{A}$ $V_{CC} = 2.7\text{V}$, $I_{OL} = 12\text{mA}$ $V_{CC} = 3.0\text{V}$, $I_{OL} = 24\text{mA}$	— — —	— — —	0.2 0.4 0.55	V
V_{IK}	Input Clamp Voltage	$V_{CC} = 2.7\text{V}$, $I_{IN} = -18\text{mA}$	—	-0.7	-1.2	V
I_I	Input Leakage Current	$V_I = 0\text{V}$, $V_I = 5.5\text{V}$, $V_{CC} = 3.6\text{V}$	—	—	± 1.0	μA
$ I_{BH} $	Bus Hold Inputs Overdrive Current ^(2,3)	$V_{CC} = 3.6\text{V}$, $V_{IN} = 0\text{V}$ or $V_{IN} = V_{CC}$	—	—	50	μA
		$V_{CC} = 3.6\text{V}$, $0.8\text{V} < V_{IN} < 2.0\text{V}$	—	—	500 ⁽⁴⁾	
I_{BHH} I_{BHL}	Bus Hold Input Sustaining Current	$V_{CC} = 3\text{V}$	$V_{IN} = 2.0\text{V}$	-75	—	μA
			$V_{IN} = 0.8\text{V}$	75	—	
I_{OZ}	High-Z I/O Leakage	$V_O = 0\text{V}$, $V_O = 5.5\text{V}$, $V_I = V_{IH}$ or V_{IL} , $V_{CC} = 3.6\text{V}$	—	—	± 1.0	μA
I_{OFF}	Power Off Leakage	$V_{CC} = 0\text{V}$, V_I or $V_O = 5.5\text{V}$	—	—	10	μA
I_{CC}	Quiescent Power Supply Current	$V_{CC} = 3.6\text{V}$, $V_{IN} = V_{CC}$ or GND	—	0.1	10	μA
ΔI_{CC}	Quiescent Power Supply Current per Control Inputs at TTL HIGH	$V_{CC} = 3.6\text{V}$, $V_{IN} = V_{CC} - 0.6\text{V}^{(5)}$	—	2.0	3.0	μA
	Quiescent Power Supply Current per Bus Hold Inputs at TTL HIGH	$V_{CC} = 3.6\text{V}$, $V_{IN} = V_{CC} - 0.6\text{V}^{(5)}$	—	75	500	μA

Notes:

1. Typical values are at $V_{CC} = 3.3\text{V}$ and $T_A = 25^{\circ}\text{C}$.
2. These parameters are guaranteed by characterization, but not production tested.
3. Pins with Bus Hold are identified in the pin description.
4. An external driver must provide at least $|I_{BH}|$ during transition to guarantee that the Bus Hold input will change state.
5. Per TTL driven input. All other inputs at V_{CC} or GND.

Table 6. Dynamic Switching Characteristics

Symbol	Parameter	Test Conditions		Typ ⁽¹⁾	Unit
V _{OLP}	Quiet Output Dynamic Peak V _{OL}	C _L = 50pF, V _{CC} = 3.3V	V _{IH} = 3.3V, V _{IL} = 0V	0.8	V
V _{OLV}	Quiet Output Dynamic Valley V _{OL}	C _L = 50pF, V _{CC} = 3.3V	V _{IH} = 3.3V, V _{IL} = 0V	0.8	V
C _{PD}	Power Dissipation	C _L = 50pF, f = 10MHz, V _{CC} = 3.3 ±0.3V	Output Enable	20	pF
			Output Disable	4	

Note:

1. Typical values are at V_{CC} = 3.3V, 25°C ambient.

Table 7. Capacitance⁽¹⁾

Symbol	Pins	Conditions	Typ	Unit
C _{IN}	Input Capacitance	V _{IN} = 0V, V _{OUT} = 0V, f = 1MHz	7.0	pF
C _{I/O}	I/O Capacitance	V _{IN} = 0V, V _{OUT} = 0V, f = 1MHz	8.0	pF

Note:

1. Capacitance is characterized but not production tested.

Table 8. Switching Characteristics Over Operating Range

Industrial Temperature Range, T_A = -40°C to 85°C.

C_{LOAD} = 50pF, R_{LOAD} = 500Ω unless otherwise noted.

Symbol	Description ⁽¹⁾	V _{CC} = 3.3 ±0.3V		V _{CC} = 2.7V ⁽²⁾		Unit
		Min	Max	Min	Max	
t _{PD}	Propagation Delay xAi to xYi	1.5	6.3	1.5	7.3	ns
t _{EN}	Output Enable Time xḠ to xYi	1.5	8.5	1.5	9.5	ns
t _{DIS}	Output Disable Time ⁽²⁾ xḠ to xYi	1.5	7.8	1.5	8.5	ns
t _{SK(O)}	Output Skew ⁽³⁾	—	0.5	—	—	ns

Notes:

1. Minimums guaranteed but not tested. See Test Circuit and Waveforms.
2. Guaranteed by characterization.
3. Skew between any two outputs of the same package switching in the same direction. This parameter is guaranteed by characterization but not production tested.

TEST CIRCUIT AND WAVEFORMS

Figure 3. Test Circuit

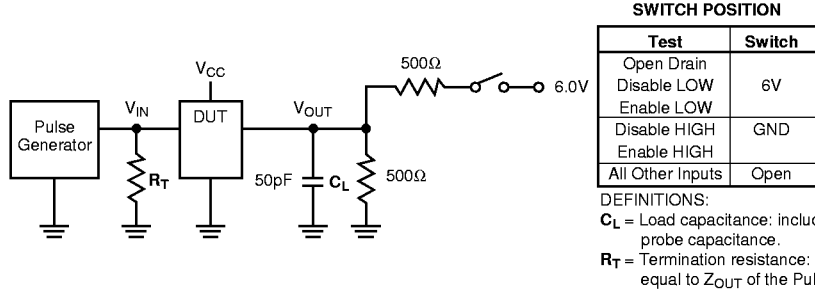


Figure 4. Setup, Hold, and Release Timing

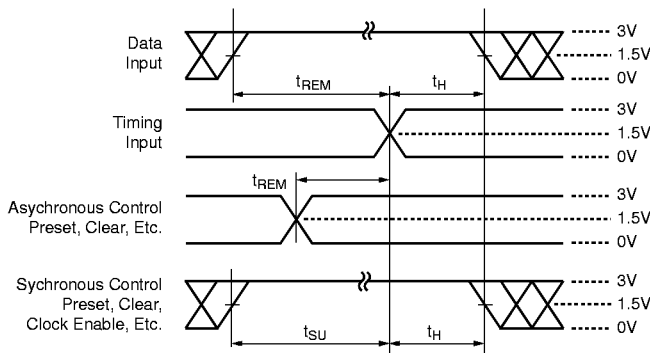


Figure 6. Pulse Width

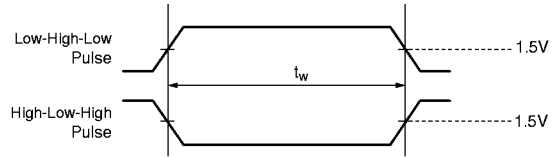
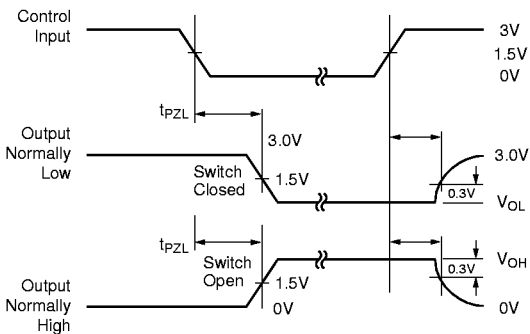


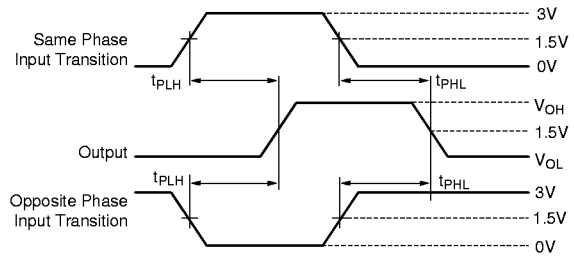
Figure 5. Enable and Disable Timing



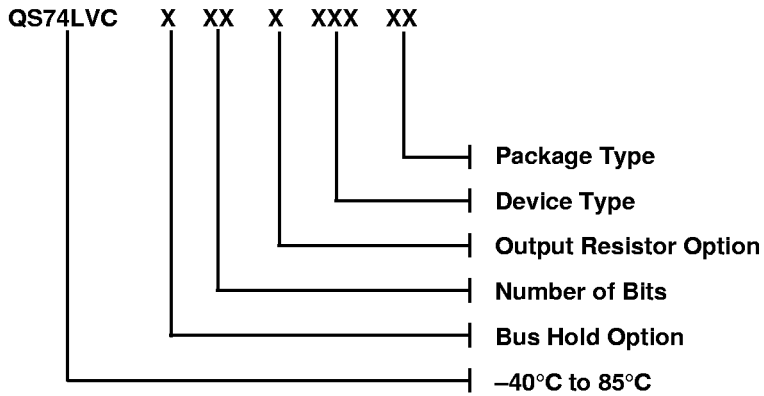
Notes:

1. Input Control Enable = LOW and Input Control Disable = HIGH.
2. Pulse Generator for All Pulses: Rate \leq 1.0MHz;
 $Z_{OUT} \leq 50\Omega$; t_F , $t_R \leq 2.5ns$.

Figure 7. Propagation Delay



ORDERING INFORMATION



Bus Hold Option:
H – with Bus Hold

Number of Bits:
Blank – 8-Bit

Output Resistor Option:
Blank – No Output Resistor

Device Type:
245

Package Type:
Q – QSOP, 150 mil
SO – SOIC, 300 mil
PA – TSSOP, 170 mil