

MM54HC4511/MM74HC4511 BCD-to-7 Segment Latch/Decoder/Driver

General Description

This high speed latch/decoder/driver utilizes advanced silicon-gate CMOS technology. It has the high noise immunity and low power consumption of standard CMOS integrated circuits, as well as the ability to drive 10 LS-TTL loads. The circuit provides the functions of a 4-bit storage latch, an 8421 BCD-to-seven segment decoder, and an output drive capability. Lamp test (\overline{LT}), blanking (\overline{BI}), and latch enable (LE) inputs are used to test the display, to turn-off or pulse modulate the brightness of the display, and to store a BCD code, respectively. It can be used with seven-segment light emitting diodes (LED), incandescent, fluorescent, gas discharge, or liquid crystal readouts either directly or indirectly.

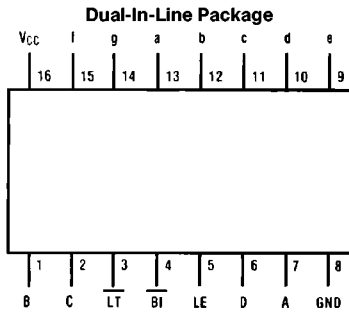
Applications include instrument (e.g., counter, DVM, etc.) display driver, computer/calculator display driver, cockpit display driver, and various clock, watch, and timer uses.

The 54HC/74HC logic family is speed, function, and pinout compatible with the standard 54LS/74LS logic family. All inputs are protected from damage due to static discharge by internal diode clamps to V_{CC} and ground.

Features

- Latch storage of input data
- Blanking input
- Lamp test input
- Low power consumption characteristics of CMOS devices
- Wide operating voltage range: 2 to 6 volts
- Low input current: 1 μA maximum
- Low quiescent current: 80 μA maximum over full temperature range (74 Series)

Connection Diagram



TOP VIEW

TL/F/5373-1

Order Number MM54HC4511 or MM74HC4511

Truth Table

INPUTS				OUTPUTS							
LE	\overline{BI}	\overline{LT}	D C B A	a	b	c	d	e	f	g	DISPLAY
x	x	L	x x x x	H	H	H	H	H	H	H	8
x	L	H	x x x x	L	L	L	L	L	L	L	0
L	H	H	L L L L	H	H	H	H	H	H	L	1
L	H	H	L L L H	L	H	H	L	L	L	L	2
L	H	H	L L H L	H	H	H	L	H	H	L	3
L	H	H	L H L L	L	H	L	L	L	L	H	4
L	H	H	L H L H	H	L	H	L	H	H	L	5
L	H	H	L H H L	L	L	H	H	H	H	H	6
L	H	H	L H H H	H	H	H	L	L	L	L	7
L	H	H	H L L L	L	H	H	H	H	H	H	8
L	H	H	H L L H	H	H	H	L	L	H	H	9
L	H	H	H L H L	L	L	L	L	L	L	L	
L	H	H	H L H H	L	L	L	L	L	L	L	
L	H	H	H H L L	L	L	L	L	L	L	L	
L	H	H	H H L H	L	L	L	L	L	L	L	
L	H	H	H H H L	L	L	L	L	L	L	L	
L	H	H	H H H H	L	L	L	L	L	L	L	
H	H	H	x x x x				*				*

x=Don't care

*=Depends upon the BCD code applied during the 0 to 1 transition of LE.

MM54HC4511/MM74HC4511 BCD-to-7 Segment Latch/Decoder/Driver

Absolute Maximum Ratings (Notes 1 and 2)

If Military/Aerospace specified devices are required, please contact the National Semiconductor Sales Office/Distributors for availability and specifications.

Supply Voltage (V_{CC})	-0.5 to +7.0V
DC Input Voltage (V_{IN})	-1.5 to V_{CC} + 1.5V
DC Output Voltage (V_{OUT})	-0.5 to V_{CC} + 0.5V
Clamp Diode Current (I_{IK}, I_{OK})	±20 mA
DC Output Current, per pin (I_{OUT})	±25 mA
DC V_{CC} or GND Current, per pin (I_{CC})	±50 mA
Storage Temperature Range (T_{STG})	-65°C to +150°C
Power Dissipation (P_D) (Note 3)	600 mW
S.O. Package only	500 mW
Lead Temp. (T_L) (Soldering 10 seconds)	260°C

Operating Conditions

	Min	Max	Units
Supply Voltage (V_{CC})	2	6	V
DC Input or Output Voltage (V_{IN}, V_{OUT})	0	V_{CC}	V
Operating Temp. Range (T_A)			
MM74HC	-40	+85	°C
MM54HC	-55	+125	°C
Input Rise or Fall Times (t_r, t_f)			
$V_{CC}=2.0V$		1000	ns
$V_{CC}=4.5V$		500	ns
$V_{CC}=6.0V$		400	ns

DC Electrical Characteristics (Note 4)

Symbol	Parameter	Conditions	V_{CC}	$T_A = 25^\circ C$		74HC	54HC	Units
						$T_A = -40$ to $85^\circ C$	$T_A = -55$ to $125^\circ C$	
				Typ	Guaranteed Limits			
V_{IH}	Minimum High Level Input Voltage		2.0V		1.5	1.5	1.5	V
			4.5V		3.15	3.15	3.15	V
			6.0V		4.2	4.2	4.2	V
V_{IL}	Maximum Low Level Input Voltage**		2.0V		0.5	0.5	0.5	V
			4.5V		1.35	1.35	1.35	V
			6.0V		1.8	1.8	1.8	V
V_{OH}	Minimum High Level Output Voltage	$V_{IN} = V_{IH}$ or V_{IL} $ I_{OUT} \leq 20 \mu A$	2.0V	2.0	1.9	1.9	1.9	V
			4.5V	4.5	4.4	4.4	4.4	V
			6.0V	6.0	5.9	5.9	5.9	V
		$V_{IN} = V_{IH}$ or V_{IL} $ I_{OUT} \leq 6.0$ mA $ I_{OUT} \leq 7.8$ mA	4.5V	4.2	3.98	3.84	3.7	V
			6.0V	5.7	5.48	5.34	5.2	V
V_{OL}	Maximum Low Level Output Voltage	$V_{IN} = V_{IH}$ or V_{IL} $ I_{OUT} \leq 20 \mu A$	2.0V	0	0.1	0.1	0.1	V
			4.5V	0	0.1	0.1	0.1	V
			6.0V	0	0.1	0.1	0.1	V
		$V_{IN} = V_{IH}$ or V_{IL} $ I_{OUT} \leq 4.0$ mA $ I_{OUT} \leq 5.2$ mA	4.5V	0.2	0.26	0.33	0.4	V
			6.0V	0.2	0.26	0.33	0.4	V
I_{IN}	Maximum Input Current	$V_{IN} = V_{CC}$ or GND	6.0V		±0.1	±1.0	±1.0	μA
I_{CC}	Maximum Quiescent Supply Current	$V_{IN} = V_{CC}$ or GND $I_{OUT} = 0 \mu A$	6.0V		8.0	80	160	μA

Note 1: Absolute Maximum Ratings are those values beyond which damage to the device may occur.

Note 2: Unless otherwise specified all voltages are referenced to ground.

Note 3: Power Dissipation temperature derating — plastic "N" package: -12 mW/°C from 65°C to 85°C; ceramic "J" package: -12 mW/°C from 100°C to 125°C.

Note 4: For a power supply of $5V \pm 10\%$ the worst case output voltages (V_{OH} , and V_{OL}) occur for HC at 4.5V. Thus the 4.5V values should be used when designing with this supply. Worst case V_{IH} and V_{IL} occur at $V_{CC} = 5.5V$ and 4.5V respectively. (The V_{IH} value at 5.5V is 3.85V.) The worst case leakage current (I_{IN} , I_{CC} , and I_{OZ}) occur for CMOS at the higher voltage and so the 6.0V values should be used.

** V_{IL} limits are currently tested at 20% of V_{CC} . The above V_{IL} specification (30% of V_{CC}) will be implemented no later than Q1, CY'89.

AC Electrical Characteristics $V_{CC}=5V, T_A=25^{\circ}C, C_L=15\text{ pF}, t_r=t_f=6\text{ ns}$

Symbol	Parameter	Conditions	Typ	Guaranteed Limit	Units
t_{PHL}, t_{PLH}	Maximum Propagation Delay from Inputs A thru D to any Output		60	120	ns
t_{PHL}, t_{PLH}	Maximum Propagation Delay from \overline{BI} to any Output		60	120	ns
t_{PHL}, t_{PLH}	Maximum Propagation Delay from \overline{LT} to any Output		60	120	ns
t_S	Minimum Setup Time Inputs A thru D to LE		10	20	ns
t_H	Minimum Hold Time Inputs A thru D to LE		-3	0	ns
t_W	Minimum Pulse Width for LE			16	ns

AC Electrical Characteristics $C_L=50\text{ pF}, t_r=t_f=6\text{ ns}$ (unless otherwise specified)

Symbol	Parameter	Conditions	V_{CC}	$T_A=25^{\circ}C$		74HC	54HC	Units
						$T_A=-40\text{ to }85^{\circ}C$	$T_A=-55\text{ to }125^{\circ}C$	
				Typ	Guaranteed Limits			
t_{PHL}, t_{PLH}	Maximum Propagation Delay from Inputs A thru D to any Output	$LE=0V$ $\overline{LT}=V_{CC}$ $\overline{BI}=V_{CC}$	2.0V	300	600	756	894	ns
			4.5V	60	120	151	179	ns
			6.0V	51	102	129	152	ns
t_{PHL}, t_{PLH}	Maximum Propagation Delay from \overline{BI} to any Output	$\overline{LT}=V_{CC}$	2.0V	300	600	756	894	ns
			4.5V	60	120	151	179	ns
			6.0V	51	102	129	152	ns
t_{PHL}, t_{PLH}	Maximum Propagation Delay from \overline{LT} to any Output	$\overline{BI}=0V$	2.0V	300	600	756	894	ns
			4.5V	60	120	151	179	ns
			6.0V	51	102	129	152	ns
t_S	Minimum Setup Time Inputs A thru D to LE		2.0V		100	126	149	ns
			4.5V		20	25	30	ns
			6.0V		17	21	25	ns
t_H	Minimum Hold Time Inputs A thru D to LE		2.0V		0	0	0	ns
			4.5V		0	0	0	ns
			6.0V		0	0	0	ns
t_W	Minimum Pulse Width for LE		2.0V		80	100	120	ns
			4.5V		16	20	24	ns
			6.0V		14	17	20	ns
t_r, t_f	Maximum Input Rise and Fall Time		2.0V		1000	1000	1000	ns
			4.5V		500	500	500	ns
			6.0V		400	400	400	ns
C_{PD}	Power Dissipation Capacitance (Note 5)							pF
C_{IN}	Maximum Input Capacitance			5	10	10	10	pF

Note 5: C_{PD} determines the no load dynamic power consumption, $P_D=C_{PD} V_{CC}^2 f+l_{CC} V_{CC}$, and the no load dynamic current consumption, $I_S=C_{PD} V_{CC} f+l_{CC}$.

INPUTS

A, B, C, D (Pins 7, 1, 2, 6)—BCD data inputs. A (pin 7) is the least-significant data bit and D (pin 6) is the most significant bit. Hexadecimal data A–F at these inputs will cause the outputs to assume a logic low, offering an alternate method of blanking the display.

OUTPUTS

a–g—Decoded, buffered outputs. These outputs, unlike the 4511, have CMOS drivers, which will produce typical CMOS output voltage levels.

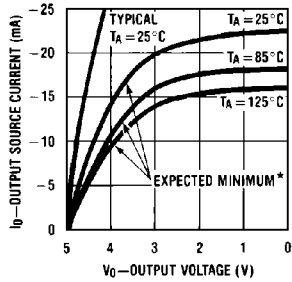
CONTROLS

$\overline{\text{BI}}$ (Pin 4)—Active-low display blanking input. A logic low on this input will cause all outputs to be held at a logic low, thereby blanking the display. LT is the only input that will override the BI input.

$\overline{\text{LT}}$ (Pin 3)—Active-low lamp test. A low logic level on this input causes all outputs to assume a logic high. This input allows the user to test all segments of a display, with a single control input. This input is independent of all other inputs.

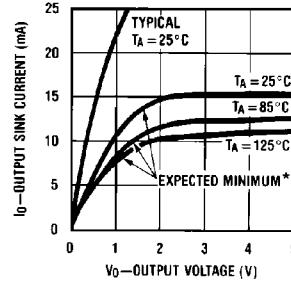
LE (Pin 5)—Latch enable input. This input controls the 4-bit transparent latch. A logic high on this input latches the data present at the A, B, C and D inputs; a logic low allows the data to be transmitted through the latch to the decoder.

Output Characteristics ($V_{CC} = 5V$)



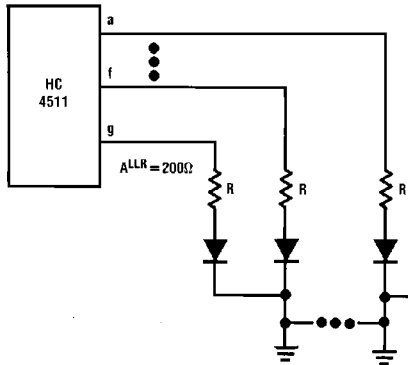
TL/F/5373-2

*The expected minimum curves are not guarantees, but are design aids.



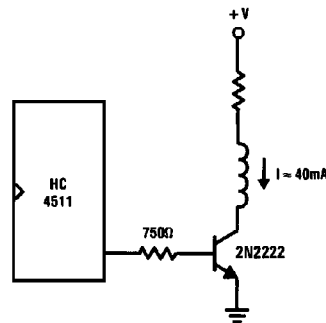
TL/F/5373-3

Typical Applications



TL/F/5373-4

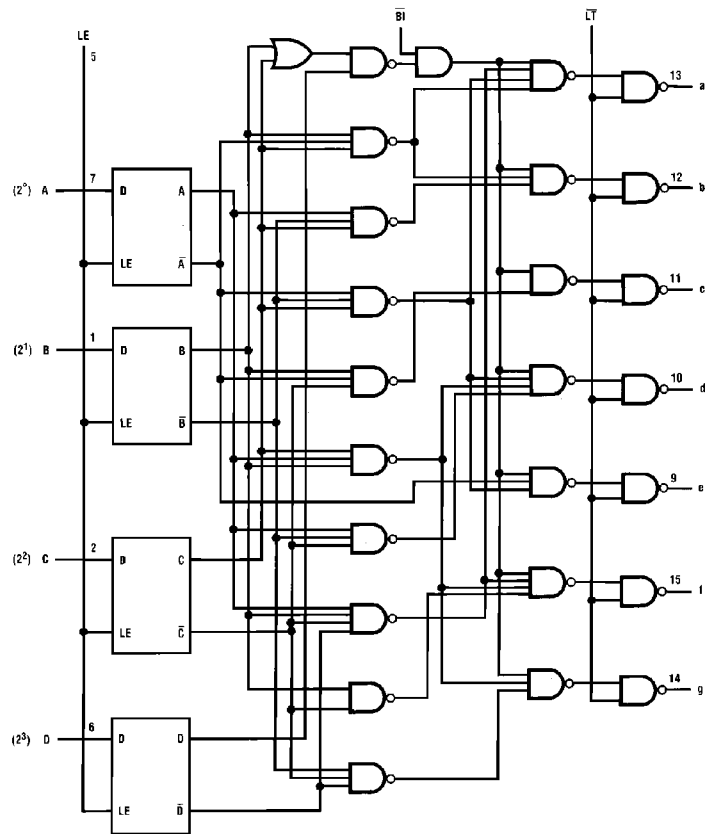
Typical Common Cathode LED Connection



TL/F/5373-5

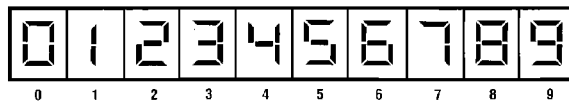
Incandescent Bulb Driving Circuit

Logic Diagram



TL/F/5373-6

Display



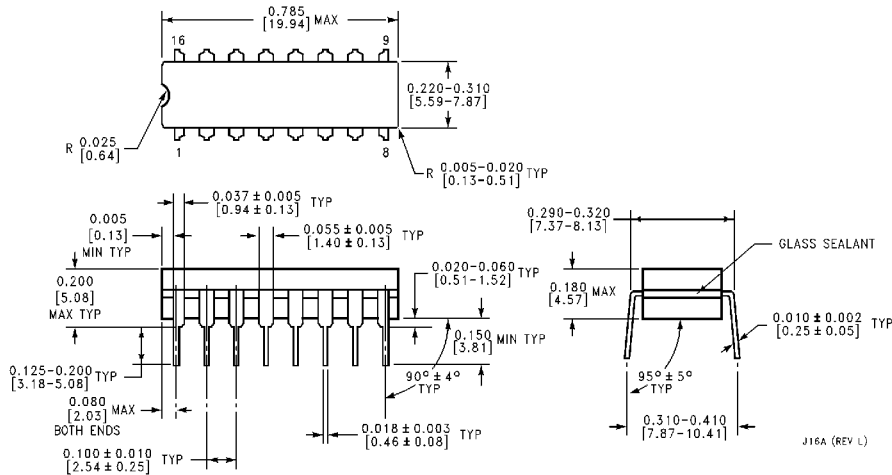
TL/F/5373-7

Segment Identification

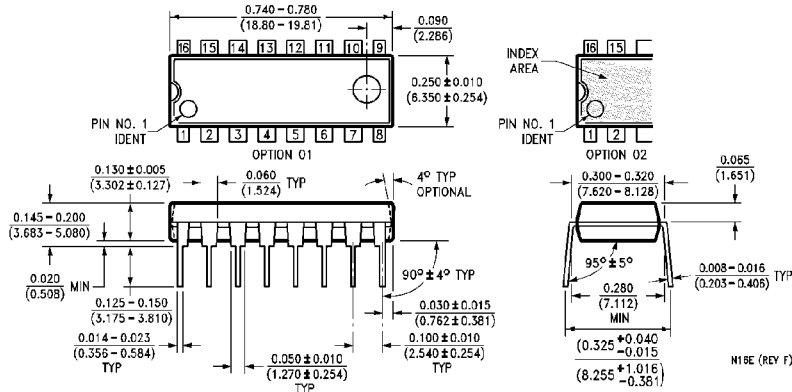


TL/F/5373-8

Physical Dimensions inches (millimeters)



Dual-In-Line Package
Order Number MM54HC4511J or MM74HC4511J
NS Package J16A



Dual-In-Line Package
Order Number MM74HC4511N
NS Package N16E

LIFE SUPPORT POLICY

NATIONAL'S PRODUCTS ARE NOT AUTHORIZED FOR USE AS CRITICAL COMPONENTS IN LIFE SUPPORT DEVICES OR SYSTEMS WITHOUT THE EXPRESS WRITTEN APPROVAL OF THE PRESIDENT OF NATIONAL SEMICONDUCTOR CORPORATION. As used herein:

1. Life support devices or systems are devices or systems which, (a) are intended for surgical implant into the body, or (b) support or sustain life, and whose failure to perform, when properly used in accordance with instructions for use provided in the labeling, can be reasonably expected to result in a significant injury to the user.
2. A critical component is any component of a life support device or system whose failure to perform can be reasonably expected to cause the failure of the life support device or system, or to affect its safety or effectiveness.



National Semiconductor Corporation
 1111 West Bardin Road
 Arlington, TX 76017
 Tel: (800) 272-9959
 Fax: (800) 737-7018

National Semiconductor Europe
 Fax: (+49) 0-180-530 85 86
 Email: onjwge@tevm2.nsc.com
 Deutsch Tel: (+49) 0-180-530 85 85
 English Tel: (+49) 0-180-532 78 32
 Français Tel: (+49) 0-180-532 93 58
 Italiano Tel: (+49) 0-180-534 16 80

National Semiconductor Hong Kong Ltd.
 13th Floor, Straight Block,
 Ocean Centre, 5 Canton Rd.
 Tsimshatsui, Kowloon
 Hong Kong
 Tel: (852) 2737-1600
 Fax: (852) 2736-9960

National Semiconductor Japan Ltd.
 Tel: 81-043-299-2309
 Fax: 81-043-299-2408