



# 3.3V CMOS 3-LINE TO 8-LINE DECODER/DEMULTIPLEXER, WITH ADDRESS LATCHES

IDT74LVC137A

## FEATURES:

- 0.5 MICRON CMOS Technology
- ESD > 2000V per MIL-STD-883, Method 3015;  
> 200V using machine model (C = 200pF, R = 0)
- 1.27mm pitch SOIC, 0.635mm pitch QSOP,  
0.65mm pitch SSOP, 0.65mm pitch TSSOP packages
- Extended commercial range of -40°C to +85°C
- Vcc = 3.3V ±0.3V, Normal Range
- Vcc = 2.3V to 3.6V, Extended Range
- CMOS power levels (0.4µW typ. static)
- Rail-to-Rail output swing for increased noise margin
- All inputs, outputs and I/O are 5 Volt tolerant
- Supports hot insertion

## Drive Features for LVC137A:

- High Output Drivers: ±24mA
- Reduced system switching noise

## APPLICATIONS:

- 5V and 3.3V mixed voltage systems
- Data communication and telecommunication systems

## DESCRIPTION:

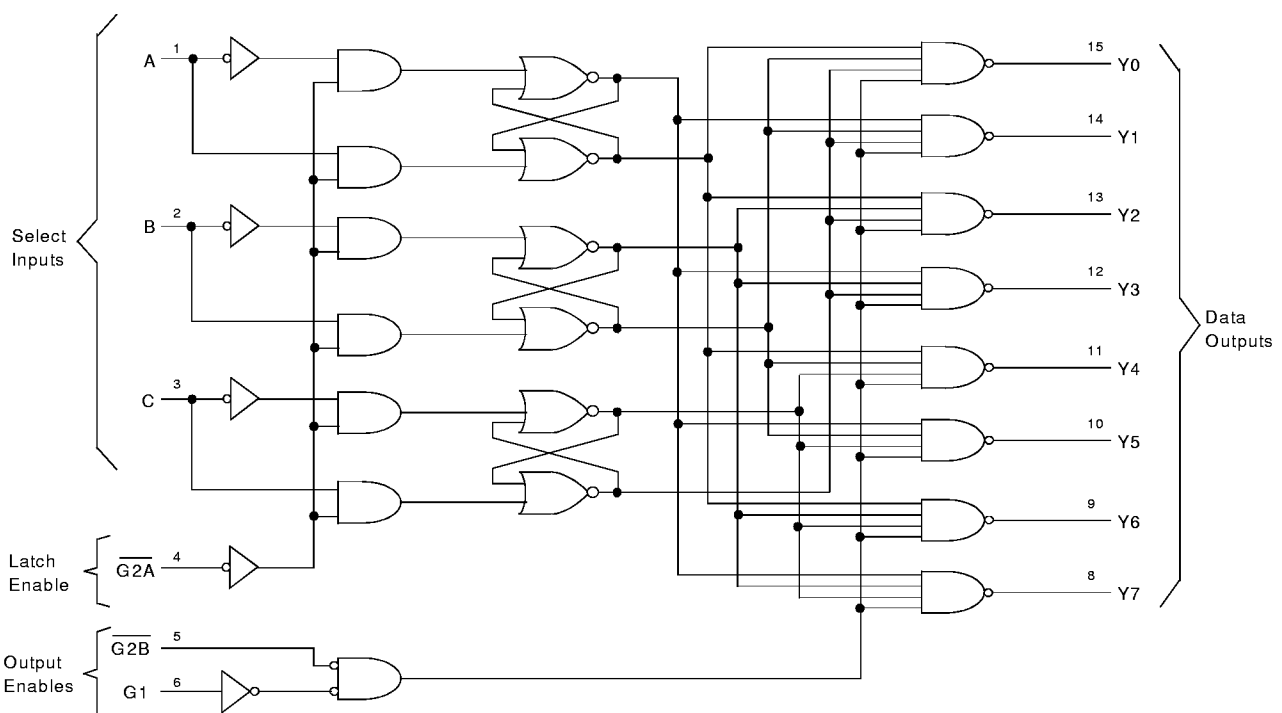
The LVC137A 3-line to 8-line decoder/demultiplexer is built using advanced dual metal CMOS technology. The LVC137A is designed for high-performance memory-decoding or data-routing applications requiring very short propagation delay times. In high-performance memory systems, this decoder minimizes the effects of system decoding. When employed with high-speed memories utilizing a fast enable circuit, the delay times of this decoder and the enable time of the memory are usually less than the typical access time of the memory. This means that the effective system delay introduced by the decoder is negligible.

When the latch enable ( $\overline{G2A}$ ) input is low, the LVC137A acts as a decoder/demultiplexer. When  $\overline{G2A}$  transitions from low to high, the address present at the inputs (A, B, and C) is stored in the latches. Further address changes are ignored, provided  $\overline{G2A}$  remains high. The output-enable (G1 and  $\overline{G2B}$ ) inputs control the outputs independently of the select or latch-enable inputs. All of the outputs are forced high if G1 is low or  $\overline{G2B}$  is high.

Inputs can be driven from either 3.3V or 5V devices. This feature allows the use of this device as a translator in a mixed 3.3V/5V supply system.

The LVC137A has been designed with a ±24mA output driver. This driver is capable of driving a moderate to heavy load while maintaining speed performance.

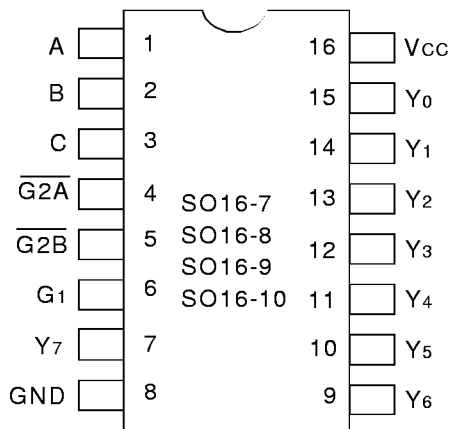
## Functional Block Diagram



EXTENDED COMMERCIAL TEMPERATURE RANGE

MAY 1999

## PIN CONFIGURATION



SOIC/ SSOP/ TSSOP/ QSOP  
TOP VIEW

## ABSOLUTE MAXIMUM RATINGS (1)

Symbol	Description	Max.	Unit
V <sub>TERM</sub> (2)	Terminal Voltage with Respect to GND	- 0.5 to +6.5	V
V <sub>TERM</sub> (3)	Terminal Voltage with Respect to GND	- 0.5 to +6.5	V
T <sub>STG</sub>	Storage Temperature	- 65 to +150	°C
I <sub>OUT</sub>	DC Output Current	- 50 to +50	mA
I <sub>IK</sub> I <sub>OK</sub>	Continuous Clamp Current, V <sub>I</sub> < 0 or V <sub>O</sub> < 0	- 50	mA
I <sub>CC</sub> I <sub>SS</sub>	Continuous Current through each V <sub>CC</sub> or GND	±100	mA

LVC QUAD Link

### NOTES:

- Stresses greater than those listed under ABSOLUTE MAXIMUM RATINGS may cause permanent damage to the device. This is a stress rating only and functional operation of the device at these or any other conditions above those indicated in the operational sections of this specification is not implied. Exposure to absolute maximum rating conditions for extended periods may affect reliability.
- V<sub>CC</sub> terminals.
- All terminals except V<sub>CC</sub>.

## PIN DESCRIPTION

Pin Names	Description
G1	Output Enable
$\overline{G2A}$	Latch Enable (Active LOW)
$\overline{G2B}$	Output Enable (Active LOW)
Y <sub>x</sub>	Data Outputs
A, B, C	Select Data Inputs

## CAPACITANCE (T<sub>A</sub> = +25°C, f = 1.0MHz)

Symbol	Parameter(1)	Conditions	Typ.	Max.	Unit
C <sub>IN</sub>	Input Capacitance	V <sub>IN</sub> = 0V	4.5	6	pF
C <sub>OUT</sub>	Output Capacitance	V <sub>OUT</sub> = 0V	5.5	8	pF
C <sub>I/O</sub>	I/O Port Capacitance	V <sub>IN</sub> = 0V	6.5	8	pF

LVC QUAD Link

### NOTE:

- As applicable to the device type.

## FUNCTION TABLE(1)

Inputs			Select Inputs			Outputs							
Latch Enable	Output Enable		C	B	A	Y <sub>0</sub>	Y <sub>1</sub>	Y <sub>2</sub>	Y <sub>3</sub>	Y <sub>4</sub>	Y <sub>5</sub>	Y <sub>6</sub>	Y <sub>7</sub>
$\overline{G2A}$	G1	$\overline{G2B}$											
X	X	H	X	X	X	H	H	H	H	H	H	H	H
X	L	X	X	X	X	H	H	H	H	H	H	H	H
L	H	L	L	L	L	L	H	H	H	H	H	H	H
L	H	L	L	L	H	H	L	H	H	H	H	H	H
L	H	L	L	H	L	H	H	L	H	H	H	H	H
L	H	L	L	H	L	H	H	L	H	H	H	H	H
L	H	L	L	H	H	H	H	H	H	H	H	L	H
L	H	L	H	H	H	H	H	H	H	H	H	H	L
H	H	L	X	X	X	Outputs corresponding to stored address = L; all other outputs = H							

### NOTE:

- H = HIGH Voltage Level  
L = LOW Voltage Level  
X = Don't Care

**DC ELECTRICAL CHARACTERISTICS OVER OPERATING RANGE**

Following Conditions Apply Unless Otherwise Specified:

Operating Condition:  $T_A = -40^\circ\text{C}$  to  $+85^\circ\text{C}$ 

Symbol	Parameter	Test Conditions		Min.	Typ. <sup>(1)</sup>	Max.	Unit
V <sub>IH</sub>	Input HIGH Voltage Level	V <sub>CC</sub> = 2.3V to 2.7V		1.7	—	—	V
		V <sub>CC</sub> = 2.7V to 3.6V		2	—	—	
V <sub>IL</sub>	Input LOW Voltage Level	V <sub>CC</sub> = 2.3V to 2.7V		—	—	0.7	V
		V <sub>CC</sub> = 2.7V to 3.6V		—	—	0.8	
I <sub>IH</sub> I <sub>IL</sub>	Input Leakage Current	V <sub>CC</sub> = 3.6V	V <sub>I</sub> = 0 to 5.5V	—	—	±5	μA
I <sub>OZH</sub> I <sub>OZL</sub>	High Impedance Output Current (3-State Output pins)	V <sub>CC</sub> = 3.6V	V <sub>O</sub> = 0 to 5.5V	—	—	±10	μA
I <sub>OFF</sub>	Input/Output Power Off Leakage	V <sub>CC</sub> = 0V, V <sub>IN</sub> or V <sub>O</sub> ≤ 5.5V		—	—	±50	μA
V <sub>IK</sub>	Clamp Diode Voltage	V <sub>CC</sub> = 2.3V, I <sub>IN</sub> = -18mA		—	-0.7	-1.2	V
V <sub>H</sub>	Input Hysteresis	V <sub>CC</sub> = 3.3V		—	100	—	mV
I <sub>CC1</sub> I <sub>CC2</sub> I <sub>CC3</sub>	Quiescent Power Supply Current	V <sub>CC</sub> = 3.6V	V <sub>IN</sub> = GND or V <sub>CC</sub>	—	—	10	μA
ΔI <sub>CC</sub>	Quiescent Power Supply Current Variation	One input at V <sub>CC</sub> - 0.6V other inputs at V <sub>CC</sub> or GND		—	—	500	μA

LVC QUAD Link

**NOTE:**

1. Typical values are at V<sub>CC</sub> = 3.3V, +25°C ambient.

**OUTPUT DRIVE CHARACTERISTICS**

Symbol	Parameter	Test Conditions <sup>(1)</sup>		Min.	Max.	Unit
V <sub>OH</sub>	Output HIGH Voltage	V <sub>CC</sub> = 2.3V to 3.6V	I <sub>OH</sub> = -0.1mA	V <sub>CC</sub> - 0.2	—	V
		V <sub>CC</sub> = 2.3V	I <sub>OH</sub> = -6mA	2	—	
		V <sub>CC</sub> = 2.3V	I <sub>OH</sub> = -12mA	1.7	—	
		V <sub>CC</sub> = 2.7V		2.2	—	
		V <sub>CC</sub> = 3.0V		2.4	—	
		V <sub>CC</sub> = 3.0V	I <sub>OH</sub> = -24mA	2.2	—	
V <sub>OL</sub>	Output LOW Voltage	V <sub>CC</sub> = 2.3V to 3.6V	I <sub>OL</sub> = 0.1mA	—	0.2	V
		V <sub>CC</sub> = 2.3V	I <sub>OL</sub> = 6mA	—	0.4	
			I <sub>OL</sub> = 12mA	—	0.7	
		V <sub>CC</sub> = 2.7V	I <sub>OL</sub> = 12mA	—	0.4	
		V <sub>CC</sub> = 3.0V	I <sub>OL</sub> = 24mA	—	0.55	

LVC QUAD Link

**NOTE:**

1. V<sub>IH</sub> and V<sub>IL</sub> must be within the min. or max. range shown in the DC ELECTRICAL CHARACTERISTICS OVER OPERATING RANGE table for the appropriate V<sub>CC</sub> range. T<sub>A</sub> = -40°C to +85°C.

**OPERATING CHARACTERISTICS, T<sub>A</sub> = 25°C**

Symbol	Parameter	Test Conditions	V <sub>CC</sub> = 2.5V±0.2V	V <sub>CC</sub> = 3.3V±0.3V	Unit
			Typical	Typical	
CPD	Power Dissipation Capacitance	C <sub>L</sub> = 0pF, f = 10Mhz	—	25	pF

**SWITCHING CHARACTERISTICS (1)**

Symbol	Parameter	V <sub>CC</sub> = 2.5V±0.2V		V <sub>CC</sub> = 2.7V		V <sub>CC</sub> = 3.3V±0.3V		Unit
		Min.	Max.	Min.	Max.	Min.	Max.	
t <sub>PLH</sub> t <sub>PHL</sub>	Propagation Delay A to B, C to Y <sub>x</sub>	—	—	—	6.9	1	6.2	ns
t <sub>PLH</sub> t <sub>PHL</sub>	Propagation Delay $\overline{G2A}$ to Y <sub>x</sub>	—	—	—	8.5	1	7.8	ns
t <sub>PLH</sub> t <sub>PHL</sub>	Propagation Delay G1 or $\overline{G2B}$ to Y <sub>x</sub>	—	—	—	8.2	1	7.5	ns
t <sub>w</sub>	Pulse Duration, $\overline{G2A}$	3	—	3	—	3	—	ns
t <sub>su</sub>	Setup Time, at A, B, and C before $\overline{G2A}\downarrow$	2	—	2.1	—	1.9	—	ns
t <sub>h</sub>	Hold Time, at A, B, and C after $\overline{G2A}\downarrow$	1.2	—	1.1	—	1.1	—	ns
t <sub>sk(0)</sub>	Output Skew <sup>(2)</sup>	—	—	—	—	—	1	ns

**NOTES:**

1. See test circuits and waveforms. T<sub>A</sub> = - 40°C to + 85°C.
2. Skew between any two outputs of the same package and switching in the same direction.

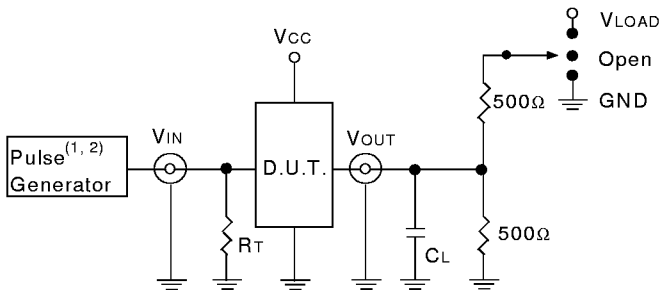
## TEST CIRCUITS AND WAVEFORMS

### TEST CONDITIONS

Symbol	V <sub>CC</sub> (1)= 2.5V ±0.2V	V <sub>CC</sub> (2)= 3.3V ±0.3V & 2.7V	Unit
V <sub>LOAD</sub>	2 x V <sub>CC</sub>	6	V
V <sub>IH</sub>	V <sub>CC</sub>	2.7	V
V <sub>T</sub>	V <sub>CC</sub> / 2	1.5	V
V <sub>LZ</sub>	150	300	mV
V <sub>HZ</sub>	150	300	mV
C <sub>L</sub>	30	50	pF

LVC QUAD Link

### TEST CIRCUITS FOR ALL OUTPUTS



LVC QUAD Link

#### DEFINITIONS:

C<sub>L</sub> = Load capacitance: includes jig and probe capacitance.  
 R<sub>T</sub> = Termination resistance: should be equal to Z<sub>OUT</sub> of the Pulse Generator.

#### NOTES:

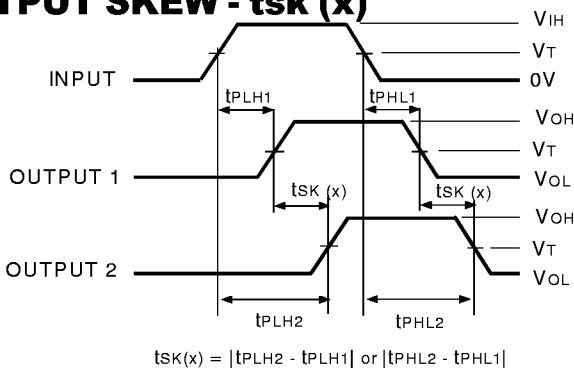
1. Pulse Generator for All Pulses: Rate ≤ 10MHz; t<sub>F</sub> ≤ 2ns; t<sub>R</sub> ≤ 2ns.
2. Pulse Generator for All Pulses: Rate ≤ 10MHz; t<sub>F</sub> ≤ 2.5ns; t<sub>R</sub> ≤ 2.5ns.

### SWITCH POSITION

Test	Switch
Open Drain Disable Low Enable Low	V <sub>LOAD</sub>
Disable High Enable High	GND
All Other tests	Open

LVC QUAD Link

### OUTPUT SKEW - t<sub>SK</sub>(x)



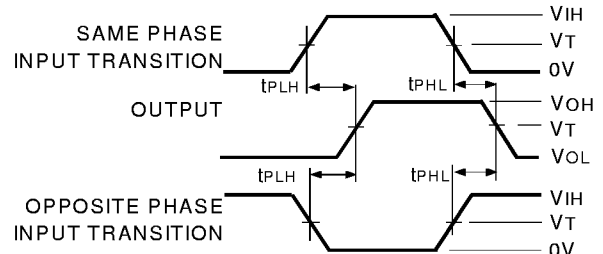
$$t_{SK}(x) = |t_{PLH2} - t_{PLH1}| \text{ or } |t_{PHL2} - t_{PHL1}|$$

#### NOTES:

1. For t<sub>SK</sub>(a) OUTPUT1 and OUTPUT2 are any two outputs.
2. For t<sub>SK</sub>(b) OUTPUT1 and OUTPUT2 are in the same bank.

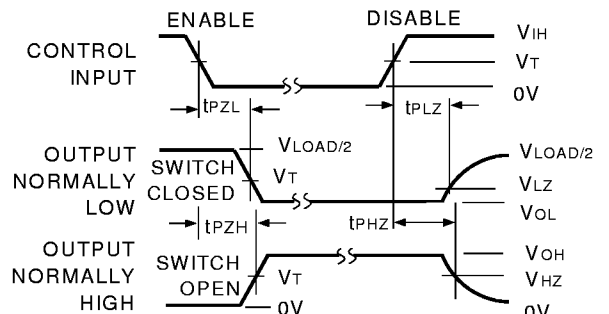
LVC QUAD Link

### PROPAGATION DELAY



LVC QUAD Link

### ENABLE AND DISABLE TIMES

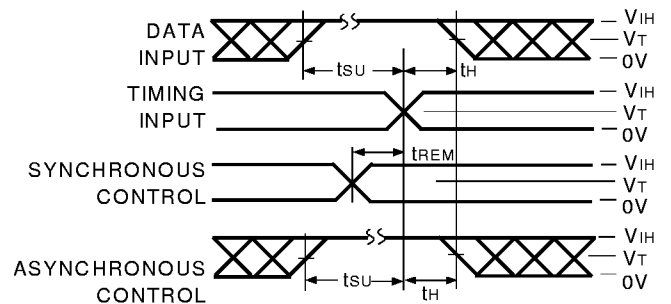


LVC QUAD Link

#### NOTE:

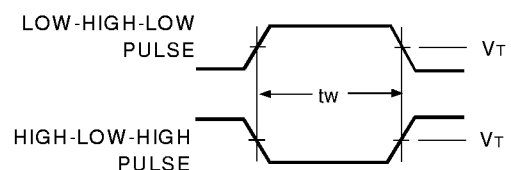
1. Diagram shown for input Control Enable-LOW and input Control Disable-HIGH.

### SET-UP, HOLD, AND RELEASE TIMES



LVC QUAD Link

### PULSE WIDTH



LVC QUAD Link

## ORDERING INFORMATION

IDT	XX	LVC	XXXX	XX	
Temp. Range		Device Type		Package	
				Q	Quarter Size Outline Package (SO16-7)
				DC	Small Outline IC (SO16-8)
				PY	Shrink Small Outline Package (SO16-9)
				PG	Thin Shrink Small Outline Package (SO16-10)
				137A	3-Line to 8-Line Decoder/Demultiplexer with Address Latches, $\pm 24\text{mA}$
				74	-40°C to +85°C



**CORPORATE HEADQUARTERS**  
2975 Stender Way  
Santa Clara, CA 95054

**for SALES:**  
800-345-7015 or 408-727-6116  
fax: 408-492-8674  
[www.idt.com](http://www.idt.com)\*

\*To search for sales office near you, please click the sales button found on our home page or dial the 800# above and press 2.  
The IDT logo is a registered trademark of Integrated Device Technology, Inc.