

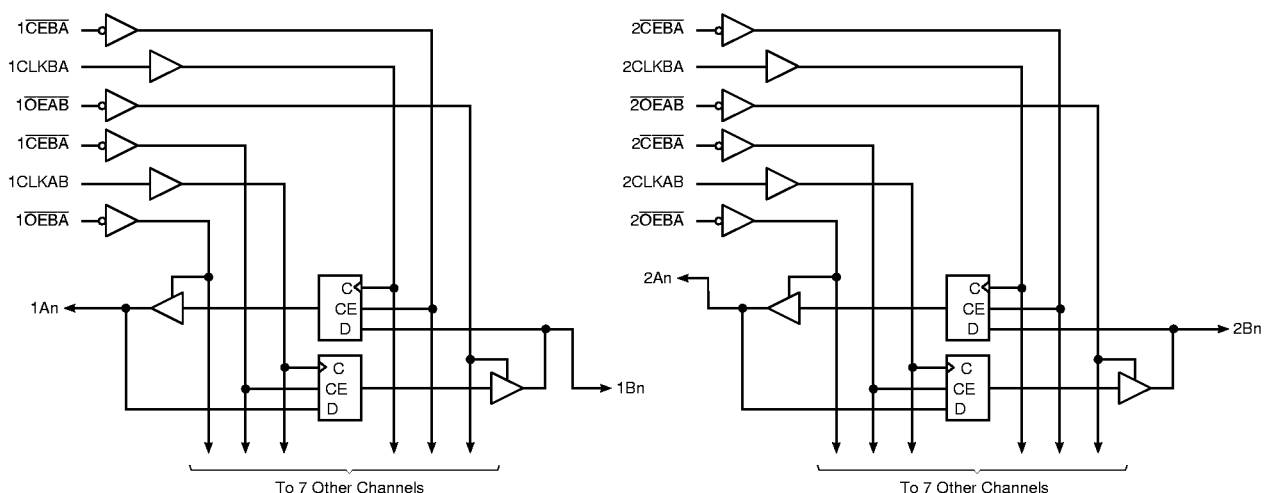
## FEATURES/BENEFITS

- 5V tolerant inputs and outputs
- Industry standard pinout
- Bus Hold feature holds last active state during 3-state operation
- 10 $\mu$ A  $I_{CCQ}$  quiescent power supply current
- Hot insertable
- 2.0V – 3.6V  $V_{CC}$  supply operation
- $\pm 24$ mA balanced output drive
- Meets or exceeds JEDEC Standard 36 specifications
- $t_{PD} = 6.3$ ns
- Input hysteresis for noise immunity
- Multiple power and ground pins for low noise
- Operating temperature range:  
–40°C to 85°C
- Latch-up performance exceeds 500mA
- ESD performance:  
Human body model > 2000V  
Machine model > 200V
- Packages available:  
56-pin TSSOP  
56-pin SSOP

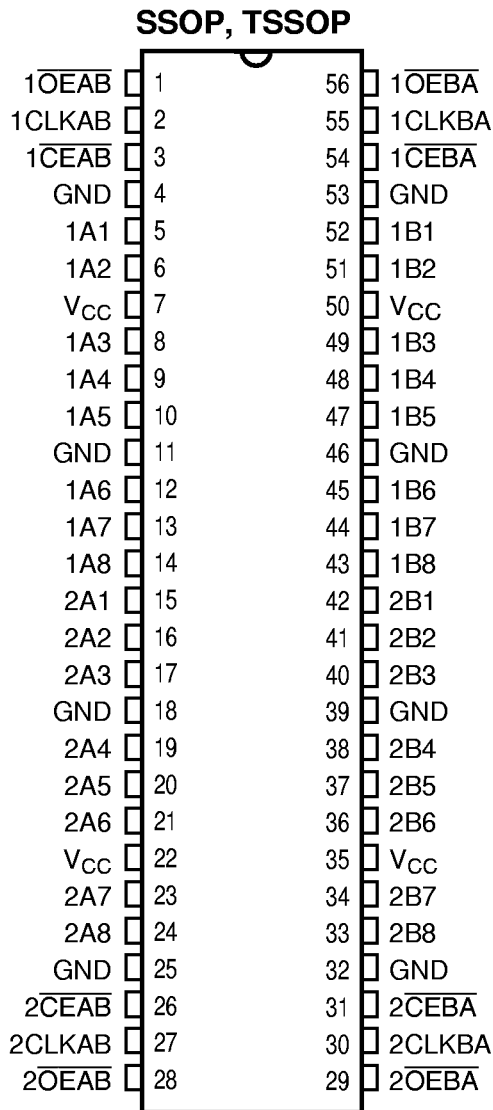
## DESCRIPTION

The LCX16H952 is a 16-bit bus register transceiver with three-state outputs that is ideal for driving address and data buses. Two independent 8-bit registered transceivers are used to permit independent control of data flow in either direction. The QS74LCX16H952 provides Bus Hold circuitry on the data inputs to retain the last active state during 3-state operation, eliminating the need for external pull-up resistors. The 3.3V LCXPlus family features low power, low switching noise, and fast switching speeds for low power portable applications as well as high-end advanced workstation applications. 5V tolerant inputs and outputs allow this LCXPlus product to be used in mixed 5V and 3.3V systems. Easy board layout is facilitated by the use of flow-through pinouts and byte enable controls provide architectural flexibility for systems designers. To accommodate hot-plug or live insertion applications, this product is designed not to load an active bus when  $V_{CC}$  is removed.

**Figure 1. Functional Block Diagram**



**Figure 2. Pin Configuration**  
(All Pins Top View)



**Table 1. Pin Description**

Name	Description
$\overline{xOEAB}$	A to B Output Enable Inputs (Active LOW)
$\overline{xOEBA}$	B to A Output Enable Inputs (Active LOW)
$\overline{xCEAB}$	A to B Enable Inputs (Active LOW)
$\overline{xCEBA}$	B to A Enable Inputs (Active LOW)
xCLKAB	A to B Clock Inputs
xCLKBA	B to A Clock Inputs
$xAx$	A to B Data Inputs or B to A 3-State Outputs (Bus Hold Inputs)
$xBx$	B to A Data Inputs or A to B 3-State Outputs (Bus Hold Inputs)

**Table 2. Function Table<sup>(1,2)</sup>**

Inputs				Outputs
$\overline{xCEAB}$	xCLKAB	$\overline{xOEAB}$	$xAx$	$xBx$
H	X	L	X	B <sup>(3)</sup>
X	L	L	X	B <sup>(3)</sup>
L	↑	L	L	L
L	↑	L	H	H
X	X	H	X	Z

**Notes:**

- ↑ = LOW-to-HIGH Transition  
H = HIGH Voltage Level  
L = LOW Voltage Level  
X = Don't Care
- A-to-B data flow shown: B-to-A flow control is the same, except using  $\overline{xCEBA}$ , xCLKBA, and  $\overline{xOEBA}$ .
- Level of B before the indicated steady-state input conditions were established.

**Table 3. Capacitance**

Symbol	Pins	Typ	Unit	Conditions
$C_{IN}$	Input Capacitance	7.0	pF	$V_{IN} = 0V, V_{OUT} = 0V, f = 1MHz$
$C_{I/O}$	I/O Capacitance	8.0	pF	$V_{IN} = 0V, V_{OUT} = 0V, f = 1MHz$
$C_{PD}$	Power Dissipation Capacitance	25	pF	$V_{CC} = 3.3V, V_{IN} = 0$ or $V_{CC}, f = 10MHz$

**Note:** Capacitance is characterized but not production tested.

**Table 4. Absolute Maximum Ratings**

Supply Voltage to Ground .....	-0.5V to 7.0V
DC Output Voltage $V_{OUT}$	
Outputs HIGH-Z .....	-0.5V to 7.0V
Outputs Active .....	-0.5V to $V_{CC} + 0.5V$
DC Input Voltage $V_{IN}$ .....	-0.5V to 7.0V
DC Input Diode Current with $V_{IN} < 0$ .....	-50mA
DC Output Diode Current	
$V_O < 0$ .....	-50mA
$V_O > V_{CC}$ .....	50mA
DC Output Source/Sink Current ( $I_{OH}/I_{OL}$ ) .....	$\pm 50mA$
DC Supply Current per Supply Pin .....	$\pm 100mA$
DC Ground Current per Ground Pin .....	$\pm 100mA$
$T_{STG}$ Storage Temperature .....	-65° to 150°C

**Note:** Stresses greater than those listed under ABSOLUTE MAXIMUM RATINGS may cause permanent damage to this device resulting in functional or reliability type failures.

**Table 5. Recommended Operating Conditions**

Symbol	Parameter	Min	Max	Unit	
$V_{CC}$	Supply Voltage, Operating	2.0	3.6	V	
	Supply Voltage, Data Retention	1.5	3.6		
$V_{IN}$	Input Voltage	0	5.5	V	
$V_{OUT}$	Output Voltage in Active State	0	$V_{CC}$	V	
	Output Voltage in "OFF" State	0	5.5		
$I_{OH}/I_{OL}$	Output Current	$V_{CC} = 3.0 - 3.6V$	—	$\pm 24$	mA
		$V_{CC} = 2.7V$	—	$\pm 12$	
$\Delta t/\Delta v$	Input Transition Slew Rate	—	10	ns/V	
$T_A$	Operating Free Air Temperature	-40	85	°C	

**Table 6. DC Electrical Characteristics Over Operating Range**

Industrial Temperature Range,  $T_A = -40^{\circ}\text{C}$  to  $85^{\circ}\text{C}$ .

Symbol	Parameter	Test Conditions <sup>(1)</sup>	Min	Typ <sup>(2)</sup>	Max	Unit
$V_{IH}$	Input HIGH Voltage	Logic HIGH for All Inputs	2.0	—	—	V
$V_{IL}$	Input LOW Voltage	Logic LOW for All Inputs	—	—	0.8	V
$V_{OH}$	Output HIGH Voltage	$V_{CC} = 2.7\text{V}, I_{OH} = -100\mu\text{A}$ $V_{CC} = 2.7\text{V}, I_{OH} = -12\text{mA}$ $V_{CC} = 3.0\text{V}, I_{OH} = -18\text{mA}$ $V_{CC} = 3.0\text{V}, I_{OH} = -24\text{mA}$	$V_{CC} - 0.2$ 2.2 2.4 2.2	— — — —	— — — —	V
$V_{OL}$	Output LOW Voltage	$V_{CC} = 2.7\text{V}, I_{OL} = 100\mu\text{A}$ $V_{CC} = 2.7\text{V}, I_{OL} = 12\text{mA}$ $V_{CC} = 3.0\text{V}, I_{OL} = 16\text{mA}$ $V_{CC} = 3.0\text{V}, I_{OL} = 24\text{mA}$	— — — —	— — — —	0.2 0.4 0.4 0.5	V
$\Delta V_T$	Input Hysteresis <sup>(3)</sup>	$V_{TLH} - V_{THL}$ for All Inputs	—	150	—	mV
$I_I$	Input Leakage Current	$V_{CC} = 3.6\text{V}, V_I = 0\text{V}, V_I = 5.5\text{V}$	—	—	$\pm 1.0$	$\mu\text{A}$
$ I_{BH} $	Input Current Inputs High or Low Bus Hold Inputs <sup>(3,4)</sup>	$V_{CC} = 3.6\text{V}, V_{IN} = 0\text{V}$ or $V_{IN} = V_{CC}$	—	—	50	$\mu\text{A}$
		$V_{CC} = 3.6\text{V}, 0.8\text{V} < V_{IN} < 2.0\text{V}$	—	—	500 <sup>(5)</sup>	$\mu\text{A}$
$I_{BHH}$	Bus Hold Sustaining Current	$V_{CC} = 3.0\text{V}$	$V_{IN} = 2.0\text{V}$	—	—	$\mu\text{A}$
$I_{BHL}$	Bus Hold Inputs			$V_{IN} = 0.8\text{V}$	75	—
$I_{OZ}$	High-Z I/O Leakage <sup>(3)</sup>	$V_O = 0\text{V}, V_O = 5.5\text{V},$ $V_I = V_{IH}$ or $V_{IL}, V_{CC} = 3.6\text{V}$	—	—	$\pm 1.0$	$\mu\text{A}$
$I_{OFF}$	Power Off Leakage	$V_{CC} = 0\text{V}, V_I$ or $V_O = 5.5\text{V}$	—	—	10	$\mu\text{A}$
$I_{OS}$	Short Circuit Current <sup>(3,6)</sup>	$V_{CC} = 3.6\text{V}, V_{OUT} = \text{GND}$	-60	—	-200	mA
$V_{IK}$	Input Clamp Voltage	$V_{CC} = 2.7\text{V}, I_{IN} = -18\text{mA}$	—	-0.7	-1.2	V

**Notes:**

1. For conditions shown as Min. or Max. use appropriate value specified under Recommended Operating Conditions for the applicable device type.
2. Typical values are at  $V_{CC} = 3.3\text{V}$  and  $T_A = 25^{\circ}\text{C}$ .
3. These parameters are guaranteed by characterization, but not production tested.
4. Pins with Bus Hold are identified in the Pin Description.
5. An external driver must provide at least  $|I_{BH}|$  during transition to guarantee that the Bus Hold input will change state.
6. Not more than one output should be tested at one time. Duration of test should not exceed one second.

**Table 7. Power Supply Characteristics**

Symbol	Parameter	Test Conditions <sup>(1)</sup>	Typ <sup>(1)</sup>	Max	Unit	
$I_{CC}$	Quiescent Power Supply Current	$V_{CC} = 3.6V$ , Freq = 0, $V_{IN} = GND$ or $V_{CC}$	0.1	10	$\mu A$	
$\Delta I_{CC}$	Supply Current per Input @ TTL HIGH	$V_{CC} = 3.6V$ , $V_{IN} = V_{CC} - 0.6V$	Control Inputs	2.0	30	$\mu A$
			Bus Hold Inputs	—	500	$\mu A$
$I_{CCD}$	Supply Current per Input per MHz <sup>(4)</sup>	$V_{CC} = 3.6V$ , Outputs Open One Bit Toggling @ 50% Duty Cycling $\overline{xOE} = GND$	$V_{IN} = V_{CC}$ $V_{IN} = GND$	65	100	$\mu A/MHz$
$I_C$	Total Power Supply Current <sup>(6)</sup>	$V_{CC} = 3.6V$ , Outputs Open One Bit Toggling @ 50% Duty Cycle $f = 5MHz$ , $f_{CP} = 10MHz$ (xCLKAB) $\overline{xOEAB} = \overline{xCEAB} = GND$ $\overline{xOEBA} = V_{CC}$	$V_{IN} = V_{CC} - 0.6V$ $V_{IN} = GND$	0.5 <sup>(5)</sup>	1.0 <sup>(5)</sup>	mA
		$V_{CC} = 3.6V$ , Outputs Open Sixteen Bits Toggling @ 50% Duty Cycling $f = 2.5MHz$ , $f_{CP} = 10MHz$ (xCLKAB) $\overline{xOEAB} = \overline{xCEAB} = GND$ $\overline{xOEBA} = V_{CC}$	$V_{IN} = V_{CC} - 0.6V$ $V_{IN} = GND$	2.7 <sup>(5)</sup>	8.0 <sup>(5)</sup>	mA

**Notes:**

- For conditions shown as Min. or Max. use the appropriate value specified under Recommended Operating Conditions for the applicable device type.
- Typical values are at  $V_{CC} = 3.3V$ , 25°C ambient.
- Per TTL driven input. All other inputs at  $V_{CC}$  or GND.
- This parameter is not directly testable, but is derived for use in total power supply calculations.
- Values for these conditions are examples of the  $I_{CC}$  formula. These limits are guaranteed by design but not tested.
- $I_C = I_{QUIESCENT} + I_{INPUTS} + I_{DYNAMIC}$   
 $I_C = I_{CCQ} + \Delta I_{CC} D_H N_T + I_{CCD} f N_O$   
 $I_{CCQ}$  = Quiescent Current ( $I_{CCL}$ ,  $I_{CCH}$ , and  $I_{CCZ}$ ).  
 $\Delta I_{CC}$  = Power Supply Current for a TTL-High Input ( $V_{IN} = V_{CC} - 0.6V$ ).  
 $D_H$  = Duty Cycle for TTL High Inputs.  
 $N_T$  = Number of TTL High Inputs.  
 $I_{CCD}$  = Dynamic Current Caused by an Input Transition Pair (HLH or LHL).  
 $f$  = Average Switching Frequency per Output.  
 $N_O$  = Number of Outputs Switching.

**Table 8. Dynamic Switching Characteristics<sup>(1)</sup>**

Symbol	Parameter	Conditions	$V_{CC}$ (V)	$T_A = 25^\circ C$	
				Typical	Units
$V_{OLP}$	Quiet Output Dynamic Peak $V_{OL}$	$C_L = 50pF$ , $V_{IH} = 3.3V$ , $V_{IL} = 0V$	3.3	0.8	V
$V_{OLV}$	Quiet Output Dynamic Valley $V_{OL}$	$C_L = 50pF$ , $V_{IH} = 3.3V$ , $V_{IL} = 0V$	3.3	0.8	V

**Note:** 1. Characterized but not production tested.

**Table 9. Switching Characteristics Over Operating Range**

Industrial Temperature Range,  $T_A = -40^{\circ}\text{C}$  to  $85^{\circ}\text{C}$ .  
 $C_{\text{LOAD}} = 50\text{pF}$ ,  $R_{\text{LOAD}} = 500\Omega$  unless otherwise noted.

Symbol	Description <sup>(1)</sup>	$V_{\text{CC}} = 3.3 \pm 0.3\text{V}$		$V_{\text{CC}} = 2.7\text{V}^{(2)}$		Unit
		Min	Max	Min	Max	
$t_{\text{PHL}}$ $t_{\text{PLH}}$	Propagation Delay xCLKAB, xCLKBA to xAx, xBx	2.0	6.3	2.0	7.3	ns
$t_{\text{PZH}}$ $t_{\text{PZL}}$	Output Enable Time xOEBA, xOEAB to xAx, xBx	1.5	7.0	1.5	8.0	ns
$t_{\text{PHZ}}$ $t_{\text{PLZ}}$	Output Disable Time <sup>(2)</sup> xOEBA, xOEAB to xAx, xBx	1.5	6.5	1.5	7.5	ns
$t_{\text{SU}}$	Setup Time HIGH or LOW xAx, xBx to xCKLAB, xCKLBA	2.5	—	2.5	—	ns
$t_{\text{H}}$	Hold Time HIGH or LOW xAx, xBx to xCLKAB, xCLKBA	1.5	—	1.5	—	ns
$t_{\text{SU}}$	Setup Time HIGH or LOW xCEBA, xCEAB to xCLKAB, xCLKBA	3.0	—	3.0	—	ns
$t_{\text{H}}$	Setup Time HIGH or LOW xCEBA, xCEAB to xCLKAB, xCLKBA	2.0	—	2.0	—	ns
$t_{\text{W}}$	Pulse Width LOW xCLKAB to xCLKBA <sup>(2)</sup>	3.0	—	3.0	—	ns
$t_{\text{SK(O)}}$	Output Skew <sup>(3)</sup>	—	0.5	—	—	ns

**Notes:**

1. Minimums guaranteed but not tested on propagation delays. See Test Circuit and Waveforms.
2. Guaranteed by characterization.
3. Skew between any two outputs of the same package switching in the same direction.  
 This parameter is guaranteed by characterization but not production tested.

TEST CIRCUIT AND WAVEFORMS

Figure 3. Test Circuit

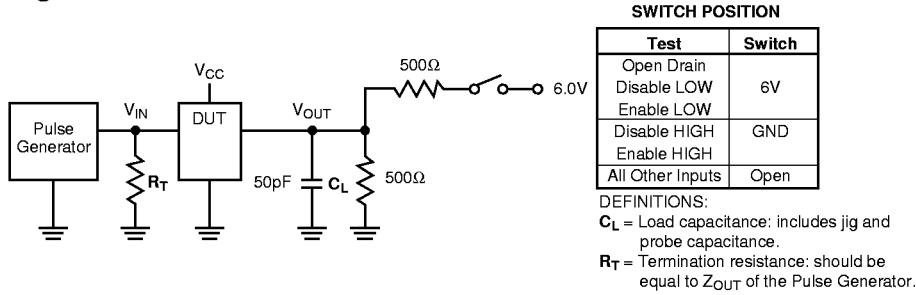


Figure 4. Setup, Hold, and Release Timing

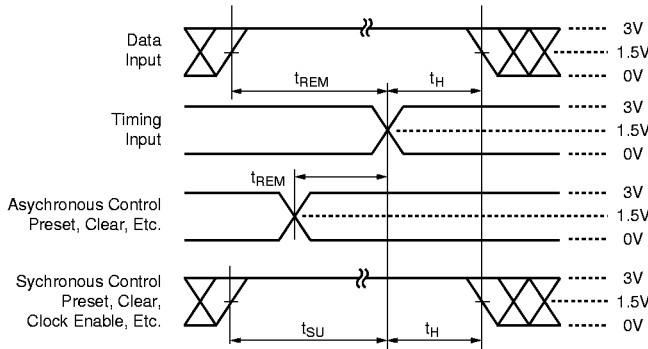


Figure 6. Pulse Width

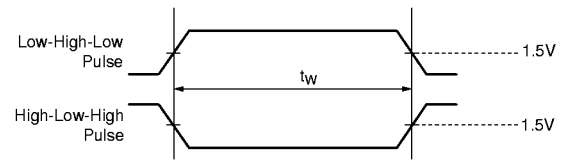


Figure 5. Enable and Disable Timing

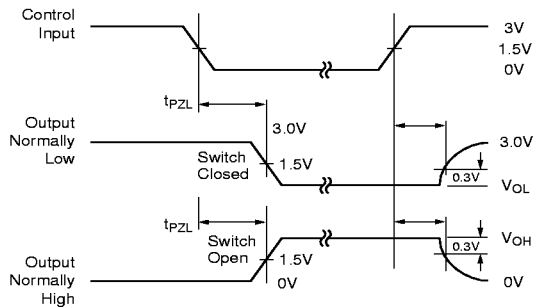
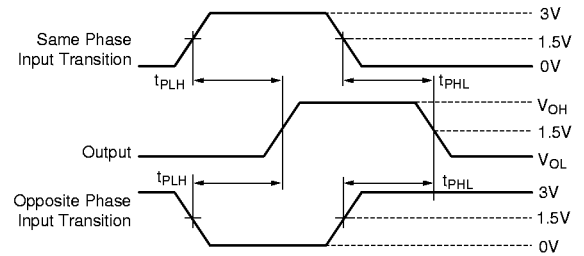


Figure 7. Propagation Delay



Notes:

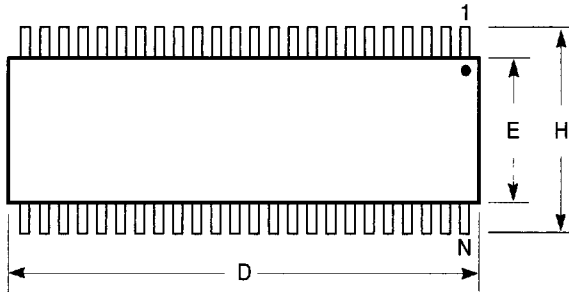
1. Input Control Enable = LOW and Input Control Disable = HIGH.
2. Pulse Generator for All Pulses: Rate  $\leq$  1.0MHz;  
 $Z_{OUT} \leq 50\Omega$ ;  $t_F, t_R \leq 2.5ns$ .





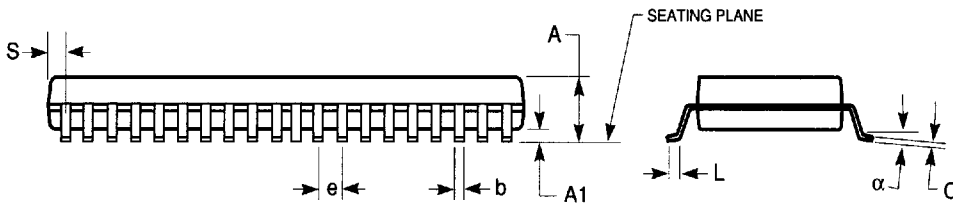
**300-MIL SSOP - Package Code PV**

**Shrink Small Outline Package  
Plastic Small Outline Gull-Wing**



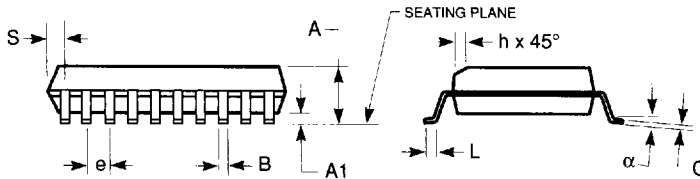
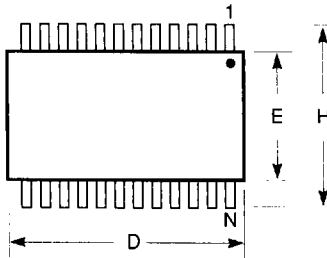
**Notes:**

1. Refer to applicable symbol list.
2. All dimensions are in inches.
3. N is the number of lead positions.
4. Dimensions D and E are to be measured at maximum material condition but do not include mold flash. Allowable mold flash is 0.006in. per side.
5. Lead coplanarity is 0.004in. maximum.



JEDEC#	MO-118AA			MO-118AB		
DWG#	PSS-48B			PSS-56B		
Symbol	Min	Nom	Max	Min	Nom	Max
A	0.095	0.102	0.110	0.095	0.102	0.110
A1	0.008	0.012	0.016	0.008	0.012	0.016
b	0.008	0.010	0.0135	0.008	0.010	0.0135
C	0.005	0.008	0.010	0.005	0.008	0.010
D	0.620	0.625	0.630	0.720	0.725	0.730
E	0.291	0.295	0.299	0.291	0.295	0.299
e	0.025 BSC			0.025 BSC		
H	0.395	0.410	0.420	0.395	0.410	0.420
L	0.020	0.030	0.040	0.020	0.030	0.040
N	48			56		
α	0°	5°	8°	0°	5°	8°
S	0.022	0.025	0.028	0.022	0.025	0.028

**170-MIL TSSOP - Package Code PA**  
**Thin Shrink Small Outline Package**  
**Plastic Small Outline Gull-Wing**



**Notes:**

1. Refer to applicable symbol list.
2. N is the number of lead positions.
3. Dimensions D and E are to be measured at maximum material condition but do not include mold flash. Allowable mold flash is 0.006in. per side.
4. Lead coplanarity is 0.004in. maximum.

JEDEC#	MO-153AD			MO-153AD		
DWG#	PSS-24C			PSS-24C		
Symbol	Min	Nom	Max	Min	Nom	Max
A	0.045	0.046	0.047	1.14	1.17	1.20
A1	0.002	0.004	0.006	0.05	0.10	0.15
b	0.007	0.010	0.012	0.19	0.25	0.30
C	0.004	0.005	0.006	0.09	0.13	0.16
D	0.303	0.307	0.311	7.7	7.8	7.9
E	0.169	0.173	0.177	4.3	4.4	4.5
e	0.025 BSC			0.65 BSC		
H	0.238	0.252	0.269	6.1	6.4	6.7
L	0.020	0.024	0.030	0.50	0.60	0.75
N	24			24		
α	0°	5°	8°	0°	5°	8°
S	0.007	0.008	0.009	0.18	0.2	0.22

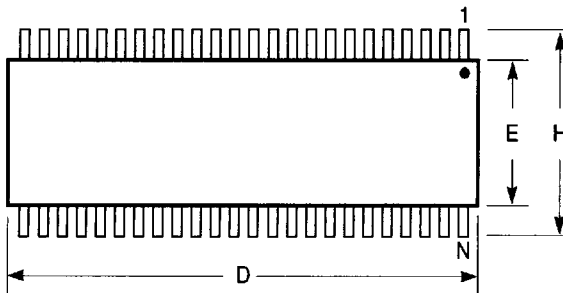
IN INCHES

IN MILLIMETERS

7466803 0003756 040

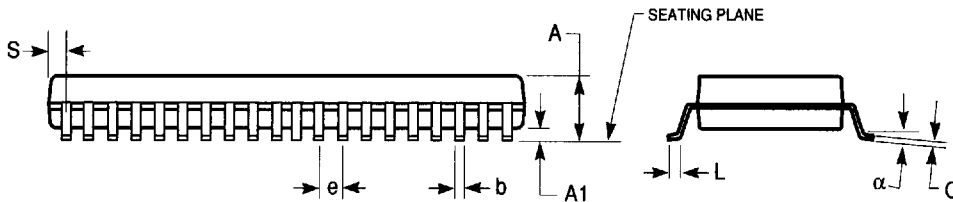
QUALITY SEMICONDUCTOR, INC.

**240-MIL TSSOP - Package Code PA**  
Thin Shrink Small Outline Package  
Plastic Small Outline Gull-Wing



**Notes:**

1. Refer to applicable symbol list.
2. N is the number of lead positions.
3. Dimensions D, E, and S are to be measured at maximum material condition but do not include mold flash. Allowable mold flash is 0.006 in. per side.
4. Lead coplanarity is 0.004in. maximum.



JEDEC#	MO-153ED			MO-153EE			MO-153ED			MO-153EE		
DWG#	PSS-48C			PSS-56C			PSS-48C			PSS-56C		
Symbol	Min	Nom	Max	Min	Nom	Max	Min	Nom	Max	Min	Nom	Max
A	0.039	0.043	0.047	0.039	0.043	0.047	1.00	1.10	1.20	1.00	1.10	1.20
A1	0.002	0.004	0.006	0.002	0.004	0.006	0.05	0.10	0.15	0.05	0.10	0.15
b	0.006	0.008	0.011	0.006	0.008	0.011	0.17	0.20	0.27	0.17	0.20	0.27
C	0.004	0.006	0.008	0.004	0.006	0.008	0.09	0.15	0.20	0.09	0.15	0.20
D	0.488	0.492	0.496	0.547	0.551	0.555	12.40	12.50	12.60	13.90	14.00	14.10
E	0.236	0.240	0.244	0.236	0.240	0.244	6.00	6.10	6.20	6.00	6.10	6.20
e	0.0197 BSC			0.0197 BSC			0.50 BSC			0.50 BSC		
H	0.315	0.319	0.323	0.315	0.319	0.323	8.00	8.10	8.20	8.00	8.10	8.20
L	0.018	0.024	0.030	0.018	0.024	0.030	0.45	0.60	0.75	0.45	0.60	0.75
N	48			56			48			56		
$\alpha$	0°	5°	8°	0°	5°	8°	0°	5°	8°	0°	5°	8°
S	0.015	0.020	0.025	0.006	0.010	0.014	0.38	0.50	0.65	0.15	0.25	0.35

DIMENSIONS IN INCHES

DIMENSIONS IN MILLIMETERS

7466803 0003757 T&T

QUALITY SEMICONDUCTOR, INC.