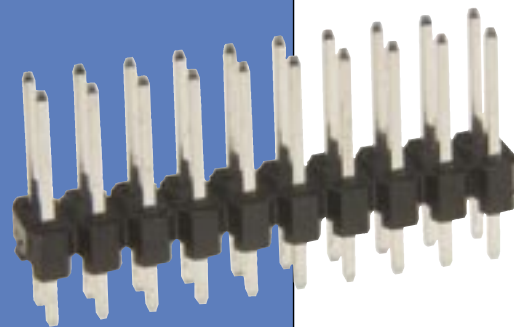


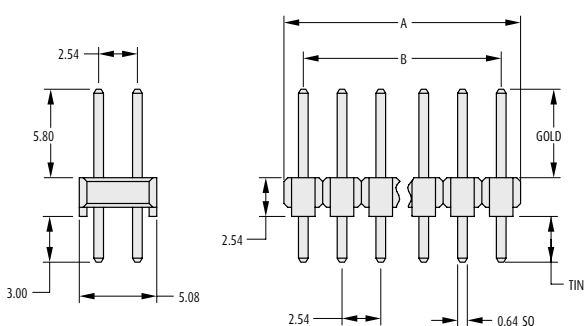
M20 Connectors

Vertical PC Tail Male Connectors – Double Row

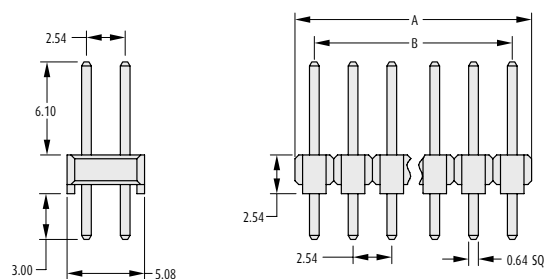
- ❖ Suitable for use with female connectors shown on pages 43 to 49.
- ❖ Choice of mating pin lengths – or specify your own pin header (see page 57).
- ❖ Un-shrouded pin headers can be cut into smaller sizes.



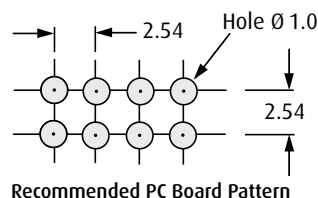
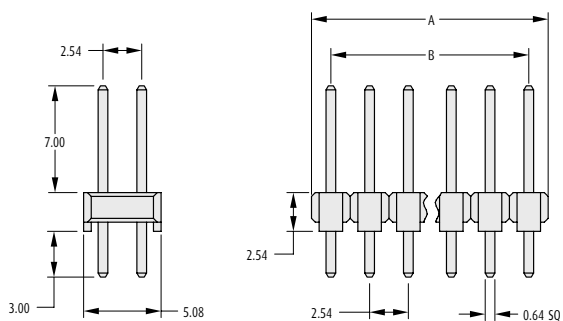
5.8mm



6.1mm



7.0mm



CALCULATION

A	2.54 x No. of ways per row
B	2.54 x (No. of ways per row - 1)

HOW TO ORDER

M20 - 9 XX XX XX

SERIES CODE

SIZE

72	7.0mm Mating Height
76	5.8mm Mating Height
98	6.1mm Mating Height

NO. OF WAYS PER ROW

02 to 40

FINISH

05	Gold (M20-972, 998)
06	Tin/Lead
22	Gold + Tin/Lead (M20-976)
42	Gold + Tin (M20-976)
45	Gold, Hi-Temp Mould (M20-972, 998)
46	Tin

www.harwin.com

