

Fast CMOS 18-Bit Registered Transceivers

**Product Features**

- Functionally compatible with FCT3, LVT, and 74 series 16501 families of products
- Tri-State outputs
- 5V Tolerant inputs and outputs
- 2.0V-3.6V Vcc supply operation
- Balanced sink and source output drives (24 mA)
- Low ground bounce outputs
- Power down High Impedance inputs and outputs
- Supports live insertion
- ESD Protection exceeds 2000V, Human Body Model  
200V, Machine Model
- Packages available:
  - 56-pin 240-mil wide plastic TSSOP (A)
  - 56-pin 300-mil wide plastic SSOP (V)

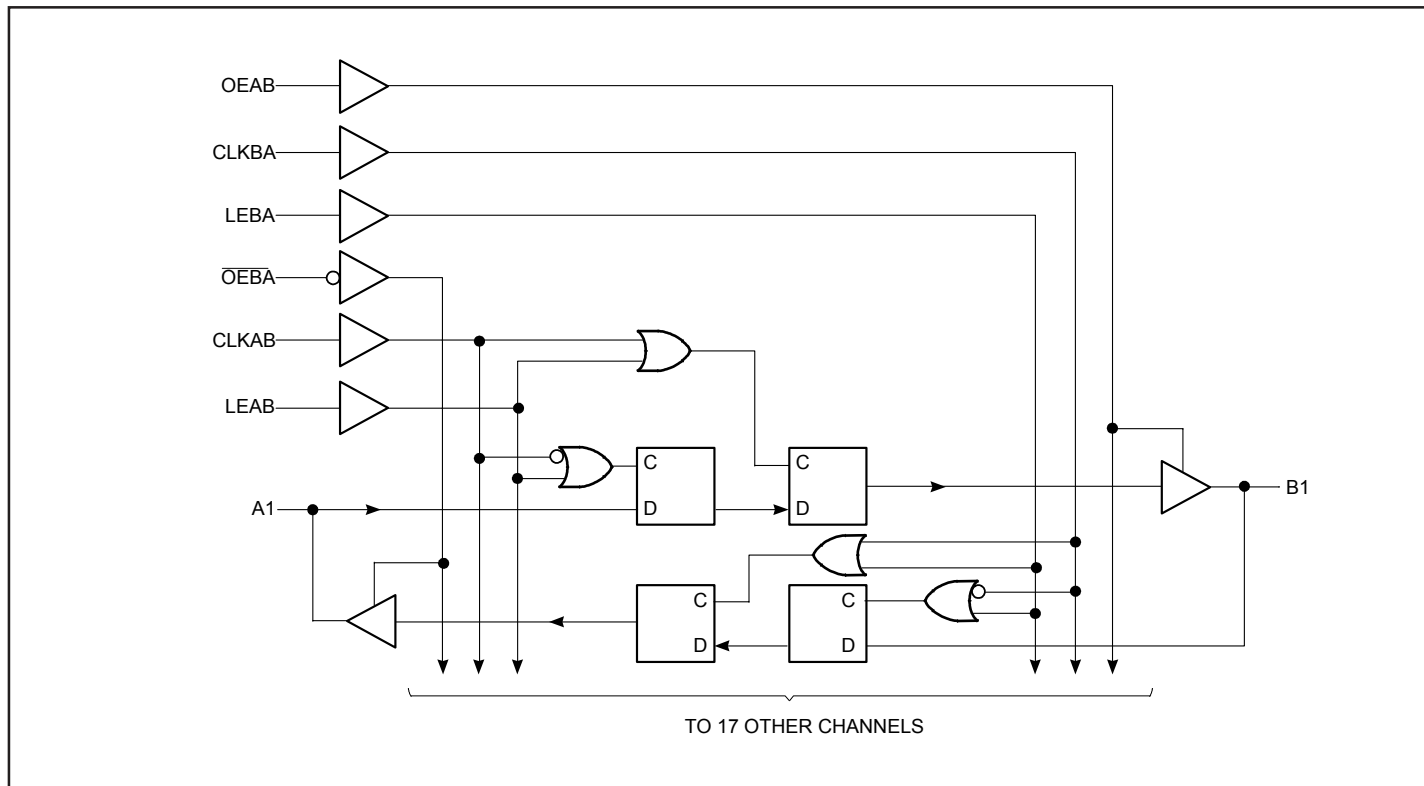
**Product Description**

Pericom Semiconductor’s PI74LCX series of logic circuits are produced using the Company’s advanced 0.6 micron CMOS technology, achieving industry leading speed grades.

The PI74LCX16501 is an 18-bit registered bus transceiver designed with D-type latches and flip-flops to allow data flow in transparent, latched, and clocked modes. The Output Enable (OEAB and OEBA, Latch Enable (LEAB and LEBA) and Clock (CLKAB and CLKBA) inputs control the data flow in each direction. When LEAB is HIGH, the device operates in transparent mode for A-to-B data flow. When LEAB is LOW, the A data is latched if CLKAB is held at a HIGH or LOW logic level. The A bus data is stored in the latch/flip-flop on the LOW-to-HIGH transition of CLKAB, if LEAB is LOW. OEAB performs the output enable function on the B port. Data flow from B port to A port is similar using OEBA, LEBA and CLKBA. This high-speed, low-power device offers a flow-through organization for ease of board layout.

The PI74LCX16501 can be driven from either 3.3V or 5.0V devices allowing this device to be used as a translator in a mixed 3.3V/5.0V system.

**Logic Block Diagram**



### Product Pin Description

Pin Name	Description
OEAB	A-to-B Output Enable Input
$\overline{OEBA}$	B-to-A Output Enable Input (Active LOW)
LEAB	A-to-B Latch Enable Input
LEBA	B-to-A Latch Enable Input
CLKAB	A-to-B Clock Input
CLKBA	B-to-A Clock Input
Ax	A-to-B Data Inputs or B-to-A 3-State Outputs
Bx	B-to-A Data Inputs or A-to-B 3-State Outputs
GND	Ground
Vcc	Power

### Product Pin Configuration

OEAB	□	1		56	□	GND
LEAB	□	2		55	□	CLKAB
A0	□	3		54	□	B0
GND	□	4		53	□	GND
A1	□	5		52	□	B1
A2	□	6		51	□	B2
VCC	□	7		50	□	VCC
A3	□	8		49	□	B3
A4	□	9		48	□	B4
A5	□	10		47	□	B5
GND	□	11		46	□	GND
A6	□	12	<b>56-PIN</b> <b>V56</b> <b>A56</b>	45	□	B6
A7	□	13		44	□	B7
A8	□	14		43	□	B8
A9	□	15		42	□	B9
A10	□	16		41	□	B10
A11	□	17		40	□	B11
GND	□	18		39	□	GND
A12	□	19		38	□	B12
A13	□	20		37	□	B13
A14	□	21		36	□	B14
VCC	□	22		35	□	VCC
A15	□	23		34	□	B15
A16	□	24		33	□	B16
GND	□	25		32	□	GND
A17	□	26		31	□	B17
$\overline{OEBA}$	□	27		30	□	CLKBA
LEBA	□	28		29	□	GND

### Truth Table<sup>(1)</sup>

Inputs				Outputs
OEAB	LEAB	CLKAB	Ax	Bx
L	X	X	X	Z
H	H	X	L	L
H	H	X	H	H
H	L	↑	L	L
H	L	↑	H	H
H	L	H	X	B <sup>(2)</sup>
H	L	L	X	B <sup>(3)</sup>

#### Notes:

- A-to-B data flow is shown. B-to-A data flow is similar but uses  $\overline{OEBA}$ , LEBA, and CLKBA.
- Output level before the indicated steady-state input conditions were established, provided that CLKAB was HIGH before LEAB went LOW.
- Output level before the indicated steady-state input conditions were established.
- H = High Voltage Level  
L = Low Voltage Level  
Z = High Impedance  
↑ = LOW-to-HIGH Transition

### Maximum Ratings

(Above which the useful life may be impaired. For user guidelines, not tested.)

Storage Temperature .....	-65°C to +150°C
Ambient Temperature with Power Applied .....	-40°C to +85°C
Supply Voltage to Ground Potential (Inputs & Vcc Only) ....	-0.5V to +7.0V
Supply Voltage to Ground Potential (Outputs & D/O Only) .	-0.5V to +7.0V
DC Input Voltage .....	-0.5V to +7.0V
DC Output Current .....	120 mA
Power Dissipation .....	1.0W

**Note:**

Stresses greater than those listed under MAXIMUM RATINGS may cause permanent damage to the device. This is a stress rating only and functional operation of the device at these or any other conditions above those indicated in the operational sections of this specification is not implied. Exposure to absolute maximum rating conditions for extended periods may affect reliability.

### Recommended Operating Conditions

Symbol	Parameter	Min.	Max.	Units		
V <sub>CC</sub>	Supply Voltage	Operating	2.0	3.6	V	
		Data Retention	1.5	3.6		
V <sub>I</sub>	Input Voltage	0	5.5			
V <sub>O</sub>	Output Voltage	HIGH or LOW State	0	V <sub>CC</sub>		
		TRI-State	0	5.5		
I <sub>OH</sub> /I <sub>OL</sub>	Output Current	V <sub>CC</sub> = 3.0V-3.6V	—	±24		mA
		V <sub>CC</sub> = 2.7V	—	±12		
T <sub>A</sub>	Free-Air Operating Temperature	-40	+85	°C		
Δt/ΔV	Input Edge Rate	V = 0.8V-2.0V, V <sub>CC</sub> = 3.0V		0	10	ns/V

**DC Electrical Characteristics** (Over the Operating Range,  $T_A = -40^{\circ}\text{C}$  to  $+85^{\circ}\text{C}$ ,  $V_{CC} = 2.7\text{V}$  to  $3.6\text{V}$ )

Parameters	Description	Test Conditions <sup>(1)</sup>		Min.	Typ <sup>(2)</sup>	Max.	Units
$V_{IH}$	Input HIGH Voltage	Guaranteed Logic HIGH Level		2.0	—	—	V
$V_{IL}$	Input LOW Voltage	Guaranteed Logic LOW Level		—	—	0.8	
$V_{OH}$	Output HIGH Voltage	$V_{CC} = 2.7-3.6$	$I_{OH} = -0.1\text{mA}$	$V_{CC}-0.2$	—	—	
		$V_{CC} = 2.7$	$I_{OH} = -12\text{mA}$	2.2	—	—	
		$V_{CC} = 3.0$	$I_{OH} = -18\text{mA}$	2.4	—	—	
			$I_{OH} = -24\text{mA}$	2.2	—	—	
$V_{OL}$	Output LOW Voltage	$V_{CC} = 2.7-3.6$	$I_{OL} = 0.1\text{mA}$	—	—	0.2	
		$V_{CC} = 2.7$	$I_{OL} = 12\text{mA}$	—	—	0.4	
		$V_{CC} = 3.0$	$I_{OL} = 16\text{mA}$	—	—	0.4	
			$I_{OL} = 24\text{mA}$	—	—	0.55	
$V_{IK}$	Clamp Diode Voltage	$V_{CC} = \text{Min.}, I_{IN} = -18\text{mA}$		—	-0.7	-1.2	
$I_I$	Input Leakage Current	$0 \leq V_I \leq 5.5\text{V}$	$V_{CC} = 2.7-3.6$	—	—	$\pm 5$	$\mu\text{A}$
$I_{OZ}$	Tri-State Output Leakage	$0 \leq V_O \leq 5.5\text{V}$ $V_I = V_{IH}$ or $V_{IL}$	$V_{CC} = 2.7-3.6$	—	—	$\pm 5$	
$I_{OFF}$	Power Down Disable	$V_{CC} = 0\text{V}, V_{IN}$ or $V_{OUT} \leq 5.5\text{V}$		—	—	10	
$I_{CC}$	Quiescent Power Supply Current	$V_{CC} = \text{Max.}$	$V_{IN} = \text{GND}$ or $V_{CC}$	—	0.1	10	
$\Delta I_{CC}$	Quiescent Power Supply Current TTL Inputs HIGH	$V_{CC} = \text{Max.}$	$V_{IN} = V_{CC} - 0.6\text{V}^{(3)}$	—	—	500	

**Notes:**

1. For Max. or Min. conditions, use appropriate value specified under Electrical Characteristics for the applicable device type.
2. Typical values are at  $V_{CC} = 3.3\text{V}$ ,  $+25^{\circ}\text{C}$  ambient.
3. Per TTL driven input; all other inputs at  $V_{CC}$  or GND.

**Capacitance**

Parameters	Description	Test Conditions	Typ.	Units
$C_{IN}$	Input Capacitance	$V_{CC} = \text{Open}, V_I = 0\text{V}$ or $V_{CC}$	7	pF
$C_{OUT}$	Output Capacitance	$V_{CC} = 3.3\text{V}, V_I = 0\text{V}$ or $V_{CC}$	8	
$C_{PD}$	Power Dissipation Capacitance	$V_{CC} = 3.3\text{V}, V_I = 0\text{V}$ or $V_{CC}, F = 10\text{MHz}$	20	

**Switching Characteristics over Operating Range**

Parameters	Description	Conditions	V <sub>CC</sub> = 3.3V ± 0.3V		V <sub>CC</sub> = 2.7V		Units
			Min.	Max.	Min.	Max.	
f <sub>max</sub>	Maximum Clock Frequency	C <sub>L</sub> = 50 pF R <sub>L</sub> = 500Ω	170	—	—	—	MHz
t <sub>PHL</sub> t <sub>PLH</sub>	Propagation Delay Bus to Bus		1.5	6.0	1.5	7.0	ns
t <sub>PHL</sub> t <sub>PLH</sub>	Propagation Delay Clock to Bus		1.5	6.5	1.5	7.5	
t <sub>PHL</sub> t <sub>PLH</sub>	Propagation Delay LE to Bus		1.5	6.5	1.5	7.5	
t <sub>PZL</sub> t <sub>PZH</sub>	Output Enable Time		1.5	7.5	1.5	8.5	
t <sub>PLZ</sub> t <sub>PHZ</sub>	Output Disable Time		1.5	6.0	1.5	7.0	
t <sub>s</sub>	Setup Time		2.5	—	2.5	—	
t <sub>H</sub>	Hold Time		1.5	—	1.5	—	
t <sub>w</sub>	Pulse Width		3.0	—	3.0	—	
t <sub>SK(O)</sub>	Output to Output Skew <sup>(1)</sup>		—	1.0	—	—	

**Note:**

1. Skew between any two outputs, of the same package, switching in the same direction.

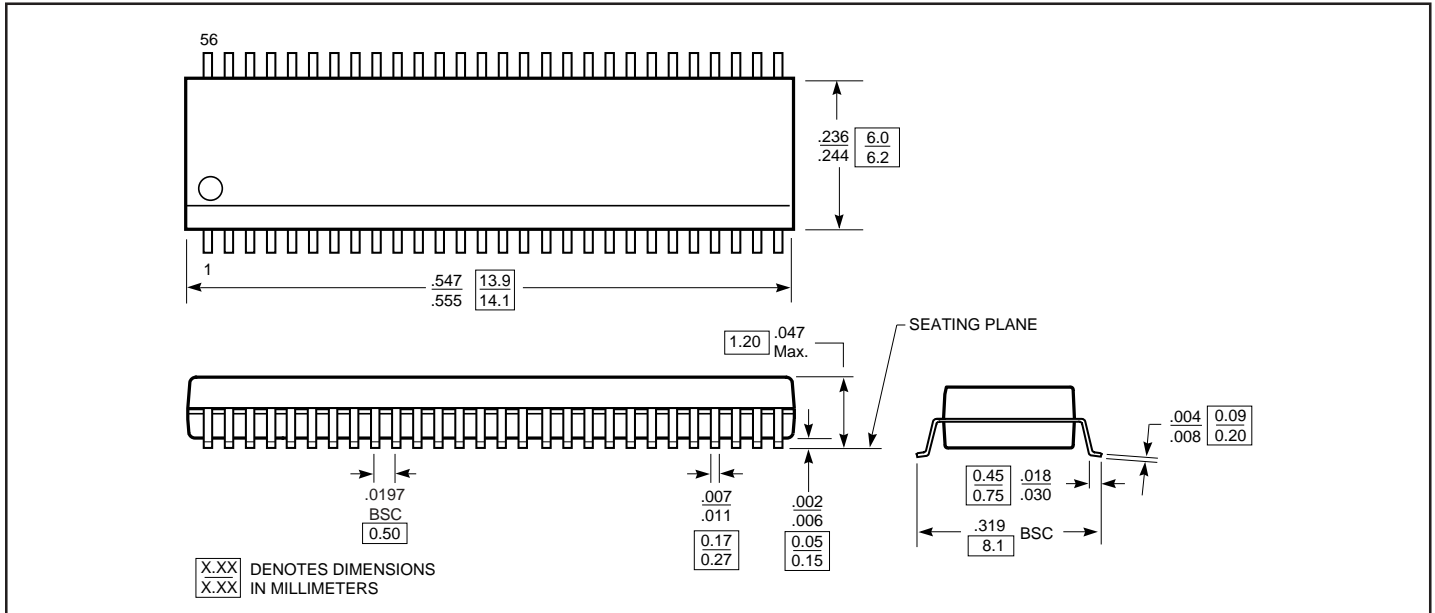
**Dynamic Switching Characteristics (T<sub>A</sub> = +25°C)**

Parameters	Description	Test Conditions <sup>(1)</sup>	Typ.	Units
V <sub>OLP</sub>	Dynamic LOW Peak Voltage	V <sub>CC</sub> = 3.3V, C <sub>L</sub> = 50pF V <sub>IH</sub> = 3.3V, V <sub>IL</sub> = 0V	0.8	V
V <sub>OLV</sub>	Dynamic LOW Valley Voltage	V <sub>CC</sub> = 3.3V, C <sub>L</sub> = 50pF V <sub>IH</sub> = 3.3V, V <sub>IL</sub> = 0V		

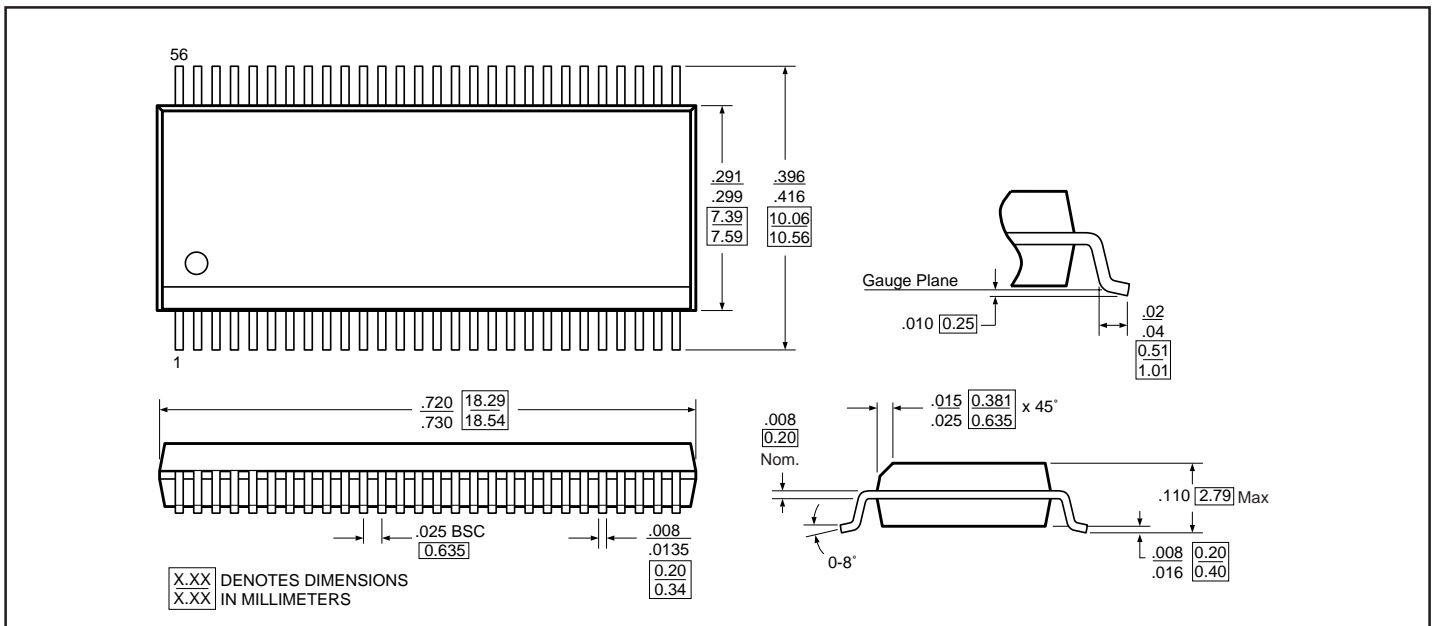
**Note:**

1. Measured with n-1 outputs switching from High-to-Low or Low-to-High. The remaining output is measured in the LOW state.

**Packaging Mechanical: 56-Pin TSSOP (A) Package**



**Packaging Mechanical: 56-Pin SSOP (V) Package**



**Ordering Information**

Ordering Code	Description
PI74LCX16501A	56-Pin 240-mil wide Plastic TSSOP (A)
PI74LCX16501V	56-Pin 300-mil wide Plastic SSOP (V)