

August 1997

## Monolithic CMOS Analog Switches

### Features

- **ON-Resistance** ..... <35Ω
- **Low Power Consumption (P<sub>D</sub>)** ..... <35μW
- **Fast Switching Action**
  - t<sub>ON</sub> ..... <150ns
  - t<sub>OFF</sub> ..... <100ns
- **Low Charge Injection**
- **DG401 Dual SPST; Same Pinout as HI-5041**
- **DG403 Dual SPDT; DG190, IH5043, IH5151, HI-5051**
- **DG405 Dual DPST; DG184, HI-5045, IH5145**
- **TTL, CMOS Compatible**
- **Single or Split Supply Operation**

### Applications

- **Audio Switching**
- **Battery Operated Systems**
- **Data Acquisition**
- **Hi-Rel Systems**
- **Sample and Hold Circuits**
- **Communication Systems**
- **Automatic Test Equipment**

### Description

The DG401, DG403 and DG405 monolithic CMOS analog switches have TTL and CMOS compatible digital inputs.

These switches feature low analog ON resistance (<35Ω) and fast switch time (t<sub>ON</sub> < 150ns). Low charge injection simplifies sample and hold applications.

The improvements in the DG401/403/405 series are made possible by using a high voltage silicon-gate process. An epitaxial layer prevents the latch-up associated with older CMOS technologies. The 44V maximum voltage range permits controlling 30V<sub>p-p</sub> signals. Power supplies may be single-ended from +5V to +34V, or split from ±5V to ±17V.

The analog switches are bilateral, equally matched for AC or bidirectional signals. The ON resistance variation with analog signals is quite low over a ±15V analog input range. The three different devices provide the equivalent of two SPST (DG401), two SPDT (DG403) or two DPST (DG405) relay switch contacts with CMOS or TTL level activation. The pinout is similar, permitting a standard layout to be used, choosing the switch function as needed.

### Ordering Information

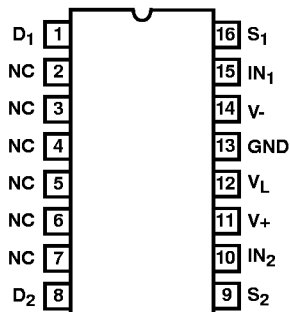
| PART NUMBER          | TEMP. RANGE (°C) | PACKAGE      | PKG. NO. |
|----------------------|------------------|--------------|----------|
| DG401AK/883 (Note 2) | -55 to 125       | 16 Ld Cerdip | F16.3    |
| DG401DJ              | -40 to 85        | 16 Ld PDIP   | E16.3    |
| DG401DY              | -40 to 85        | 16 Ld SOIC   | M16.15   |
| DG401EJ (Note 1)     | -40 to 85        | 16 Ld PDIP   | E16.3    |
| DG401EY (Note 1)     | -40 to 85        | 16 Ld SOIC   | M16.15   |
| DG403AK/883 (Note 2) | -55 to 125       | 16 Ld Cerdip | F16.3    |
| DG403DJ              | -40 to 85        | 16 Ld PDIP   | E16.3    |
| DG403DY              | -40 to 85        | 16 Ld SOIC   | M16.15   |
| DG403EJ (Note 1)     | -40 to 85        | 16 Ld PDIP   | E16.3    |
| DG403EY (Note 1)     | -40 to 85        | 16 Ld SOIC   | M16.15   |
| DG405AK/883 (Note 2) | -55 to 125       | 16 Ld Cerdip | F16.3    |
| DG405DJ              | -40 to 85        | 16 Ld PDIP   | E16.3    |
| DG405DY              | -40 to 85        | 16 Ld SOIC   | M16.15   |
| DG405EJ (Note 1)     | -40 to 85        | 16 Ld PDIP   | E16.3    |
| DG405EY (Note 1)     | -40 to 85        | 16 Ld SOIC   | M16.15   |

NOTES:

1. Extended Processing Flow.
2. Refer to Military data sheet for complete specifications.

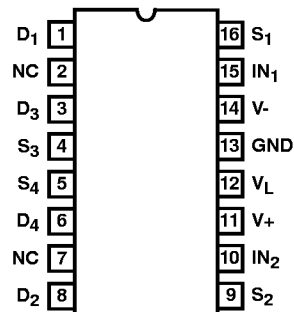
### Pinouts

DG401 (CERDIP, PDIP, SOIC)  
TOP VIEW



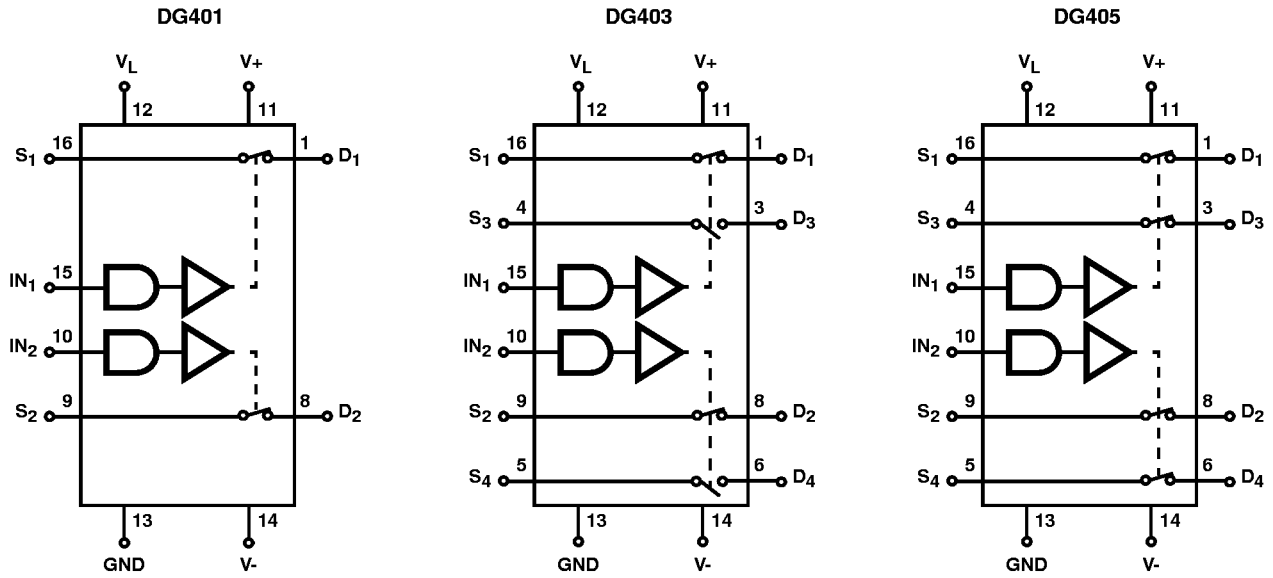
NOTE: (NC) No Connection

DG403, DG405 (CERDIP, PDIP, SOIC)  
TOP VIEW

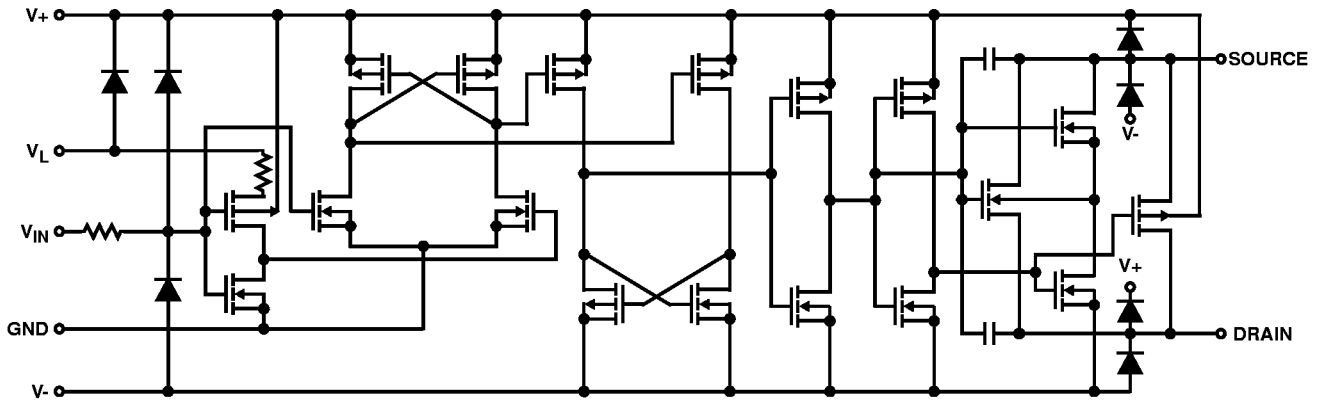


NOTE: (NC) No Connection

**Functional Diagrams**



**Schematic Diagram**



**Truth Table**

| LOGIC | DG401  | DG403       |             | DG405  |
|-------|--------|-------------|-------------|--------|
|       | SWITCH | SWITCH 1, 2 | SWITCH 3, 4 | SWITCH |
| 0     | OFF    | OFF         | ON          | OFF    |
| 1     | ON     | ON          | OFF         | ON     |

NOTE: Logic "0"  $\leq 0.8V$ . Logic "1"  $\geq 2.4V$ .

# DG401, DG403, DG405

## Absolute Maximum Ratings

|   |  |
|---|--|
| V+ to V-  | +44.0V   |
| GND to V-   | 25V  |
| VL  | (GND - 0.3V) to (VC+) +0.3V                              |
| Digital Inputs (Note 1), V <sub>S</sub> , V <sub>D</sub>      | (V-) -2V to (V+) + 2V or 30mA,<br>Whichever Occurs First |
| Continuous (Any Terminal) Current, (Note 1)                   | ±30mA  |
| Peak Current, S or D (Note 1)<br>(Pulsed 1ms, 10% Duty Cycle) | ±100mA   |

## Operating Conditions

|                              |                |
|------------------------------|----------------|
| Temperature (D and E Suffix) | -40°C to 85°C  |
| Voltage Range                | ±20V (Max)     |
| Temperature Range            | -55°C to 125°C |
| Input Low Voltage            | 0.8V (Max)     |
| Input High Voltage           | 2.4V (Min)     |
| Input Rise and Fall Time     | .20ns          |

*CAUTION: Stresses above those listed in "Absolute Maximum Ratings" may cause permanent damage to the device. This is a stress only rating and operation of the device at these or any other conditions above those indicated in the operational sections of this specification is not implied.*

### NOTES:

1. Signals on S<sub>X</sub>, D<sub>X</sub>, or I<sub>NX</sub> exceeding V+ or V- will be clamped by internal diodes. Limit forward diode current to maximum current ratings.
2. θ<sub>JA</sub> is measured with the component mounted on an evaluation PC board in free air.

## Electrical Specifications Test Conditions: V+ = +15V, V- = -15V, V<sub>IN</sub> = 2.4V, 0.8V, V<sub>L</sub> = 5V (Note 3), Unless Otherwise Specified

| PARAMETER   | TEST CONDITIONS  | (NOTE 4)<br>TEMP<br>(°C) | D SUFFIX -40°C TO 85°C |                 |                 | UNITS |
|---|--|--------------------------|------------------------|-----------------|-----------------|-------|
|   |  |                          | (NOTE 5)<br>MIN        | (NOTE 6)<br>TYP | (NOTE 5)<br>MAX |       |
| <b>DYNAMIC CHARACTERISTICS</b>                                  |  |                          |                        |                 |                 |       |
| Turn-ON Time, t <sub>ON</sub>                                   | R <sub>L</sub> = 300Ω, C <sub>L</sub> = 35pF                                   | Room                     | -                      | 100             | 150             | ns    |
| Turn-OFF Time, t <sub>OFF</sub>                                 |  | Room                     | -                      | 60              | 100             | ns    |
| Break-Before-Make, Time Delay (DG403), t <sub>D</sub>           | R <sub>L</sub> = 300Ω, C <sub>L</sub> = 35pF                                   | Room                     | 5                      | 12              | -               | ns    |
| Charge Injection, Q   | C <sub>L</sub> = 10,000pF, V <sub>GEN</sub> = 0V,<br>R <sub>GEN</sub> = 0Ω     | Room                     | -                      | 60              | -               | pC    |
| OFF Isolation Reject Ratio, OIRR                                | R <sub>L</sub> = 100Ω, C <sub>L</sub> = 5pF, f = 1MHz                          | Room                     | -                      | 72              | -               | dB    |
| Crosstalk (Channel-to-Channel), CCRR                            | R <sub>L</sub> = 100Ω, C <sub>L</sub> = 5pF, f = 1MHz                          | Room                     | -                      | 90              | -               | dB    |
| Source OFF Capacitance, C <sub>S(OFF)</sub>                     | f = 1MHz, V <sub>S</sub> = 0V  | Room                     | -                      | 12              | -               | pF    |
| Drain OFF Capacitance, C <sub>D(OFF)</sub>                      | f = 1MHz, V <sub>S</sub> = 0V  | Room                     | -                      | 12              | -               | pF    |
| Channel ON Capacitance, C <sub>D(ON)</sub> + C <sub>S(ON)</sub> | f = 1MHz, V <sub>S</sub> = 0V  | Room                     | -                      | 39              | -               | pF    |
| <b>ANALOG SWITCH</b>  |  |                          |                        |                 |                 |       |
| Analog Signal Range, V <sub>ANALOG</sub>                        |  | Full                     | -15                    | -               | 15              | V     |
| Drain-Source ON Resistance, r <sub>DS(ON)</sub>                 | V+ = 13.5V, V- = -13.5V,<br>I <sub>S</sub> = ±10mA, V <sub>D</sub> = ±10V      | Room                     | -                      | 20              | 45              | Ω     |
|   |  | Full                     | -                      | -               | 55              | Ω     |
| Drain-Source ON Resistance, Δr <sub>DS(ON)</sub>                | V+ = 16.5V, V- = -16.5V,<br>I <sub>S</sub> = -10mA, V <sub>D</sub> = 5, 0, -5V | Room                     | -                      | 3               | 3               | Ω     |
|   |  | Full                     | -                      | -               | 5               | Ω     |
| Switch OFF Leakage Current, I <sub>S(OFF)</sub>                 | V+ = 16.5V, V- = -16.5V,<br>V <sub>D</sub> = ±15.5V, V <sub>S</sub> = ±15.5V   | Room                     | -0.5                   | -0.01           | 0.5             | nA    |
|   |  | Full                     | -5                     | -               | 5               | nA    |
| Switch OFF Leakage Current, I <sub>D(OFF)</sub>                 | V+ = 16.5V, V- = -16.5V,<br>V <sub>D</sub> = ±15.5V, V <sub>S</sub> = ±15.5V   | Room                     | -0.5                   | -0.01           | 0.5             | nA    |
|   |  | Full                     | -5                     | -               | 5               | nA    |

## DG401, DG403, DG405

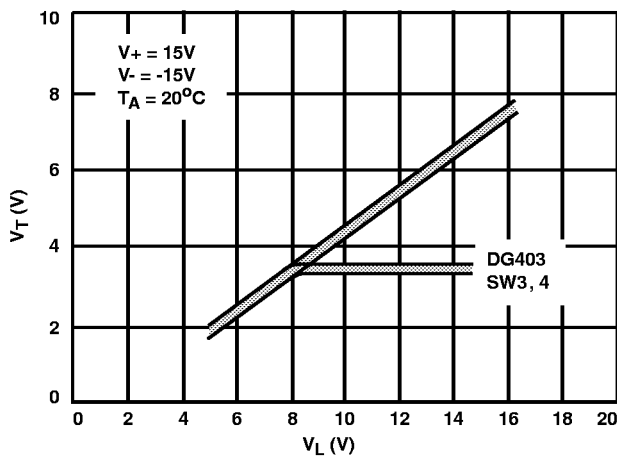
**Electrical Specifications** Test Conditions:  $V_+ = +15V$ ,  $V_- = -15V$ ,  $V_{IN} = 2.4V, 0.8V$ ,  $V_L = 5V$  (Note 3),  
Unless Otherwise Specified **(Continued)**

| PARAMETER                                  | TEST CONDITIONS   | (NOTE 4)<br>TEMP<br>(°C) | D SUFFIX -40°C TO 85°C |                 |                 | UNITS   |
|--|---|--------------------------|------------------------|-----------------|-----------------|---------|
|  |   |                          | (NOTE 5)<br>MIN        | (NOTE 6)<br>TYP | (NOTE 5)<br>MAX |         |
| Channel ON Leakage Current, $I_{D(ON)}$    | $V_{\pm} = \pm 16.5V$ , $V_D = V_S = \pm 15.5V$           | Room                     | -1                     | -0.04           | 1               | nA      |
|  |   | Full                     | -10                    | -               | 10              | nA      |
| <b>DIGITAL CONTROL</b>                     |   |                          |                        |                 |                 |         |
| Input Current with $V_{IN}$ Low, $I_{IL}$  | $V_{IN}$ Under Test = 0.8V,<br>All Others = 2.4V          | Full                     | -1                     | 0.005           | 1               | $\mu A$ |
| Input Current with $V_{IN}$ High, $I_{IH}$ | $V_{IN}$ Under Test = 2.4V,<br>All Others = 0.8V          | Full                     | -1                     | 0.005           | 1               | $\mu A$ |
| <b>POWER SUPPLIES</b>                      |   |                          |                        |                 |                 |         |
| Positive Supply Current, $I_+$             | $V_+ = 16.5V$ , $V_- = -16.5V$ ,<br>$V_{IN} = 0V$ or $5V$ | Room                     | -                      | 0.01            | 1               | $\mu A$ |
|  |   | Full                     | -                      | -               | 5               | $\mu A$ |
| Negative Supply Current, $I_-$             |   | Room                     | -1                     | -0.01           | -               | $\mu A$ |
|  |   | Full                     | -5                     | -               | -               | $\mu A$ |
| Logic Supply Current, $I_L$                |   | Room                     | -                      | 0.01            | 1               | $\mu A$ |
|  |   | Full                     | -                      | -               | 5               | $\mu A$ |
| Ground Current, $I_{GND}$                  |   | Room                     | -1                     | -0.01           | -               | $\mu A$ |
|  |   | Full                     | -5                     | -               | -               | $\mu A$ |

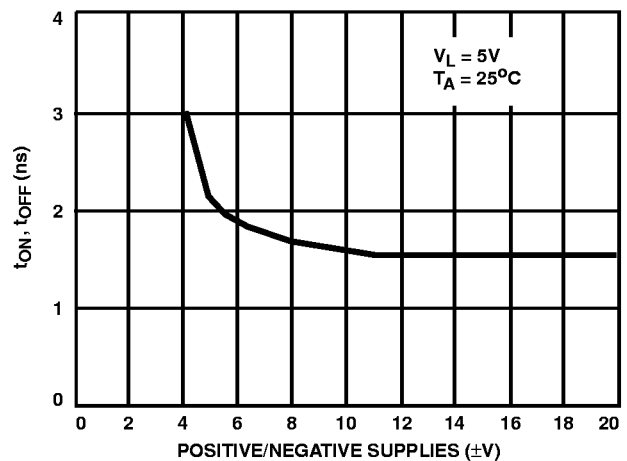
**NOTES:**

3.  $V_{IN}$  = input voltage to perform proper function.
4. Hot = as determined by the operating temperature suffix.
5. The algebraic convention whereby the most negative value is a minimum and the most positive a maximum, is used in this data sheet.
6. Typical values are for DESIGN AID ONLY, not guaranteed nor subject to production testing.

### Typical Performance Curves



**FIGURE 1. INPUT SWITCHING THRESHOLD vs LOGIC SUPPLY VOLTAGE**



**FIGURE 2. INPUT SWITCHING THRESHOLD vs POWER SUPPLY VOLTAGE**

Typical Performance Curves (Continued)

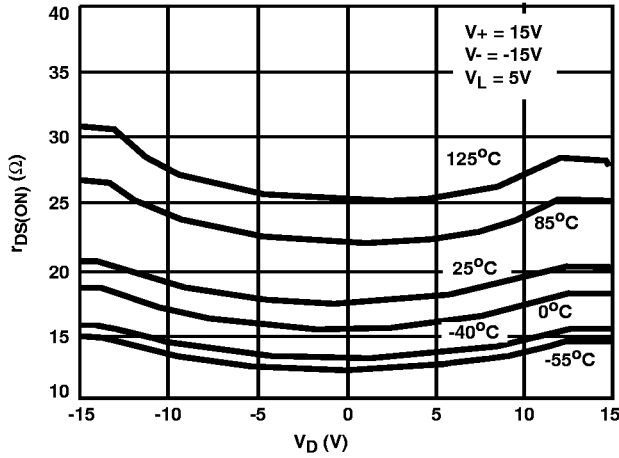


FIGURE 3.  $r_{DS(ON)}$  vs  $V_D$  AND TEMPERATURE

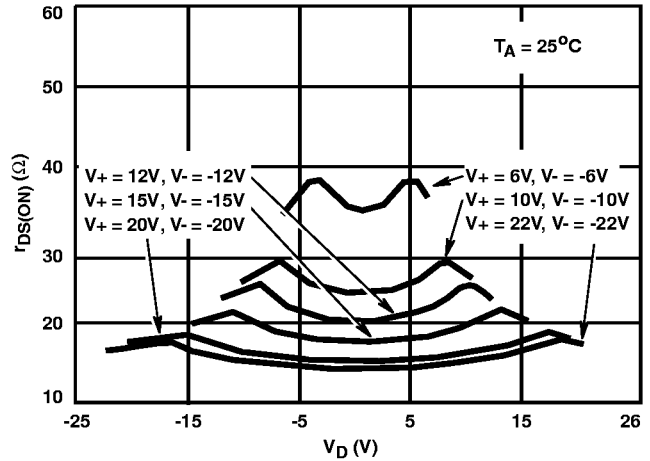


FIGURE 4.  $r_{DS(ON)}$  vs  $V_D$  AND POWER SUPPLY VOLTAGE

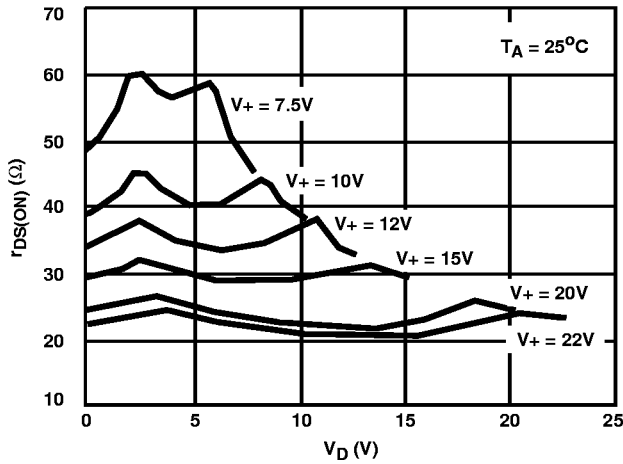


FIGURE 5.  $r_{DS(ON)}$  vs  $V_D$  AND POWER SUPPLY VOLTAGE,  $V_- = -0V$

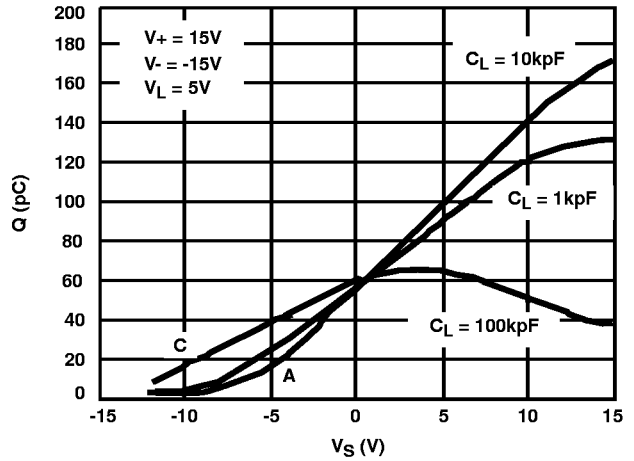


FIGURE 6. CHARGE INJECTION vs ANALOG VOLTAGE ( $V_S$ )

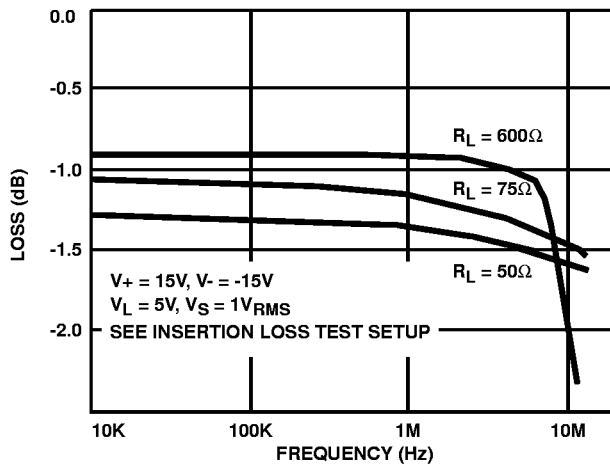


FIGURE 7. INSERTION LOSS vs FREQUENCY

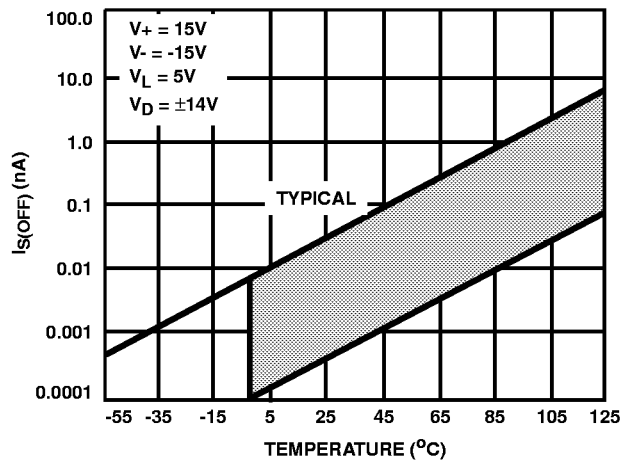


FIGURE 8.  $I_{S(OFF)}$  vs TEMPERATURE

Typical Performance Curves (Continued)

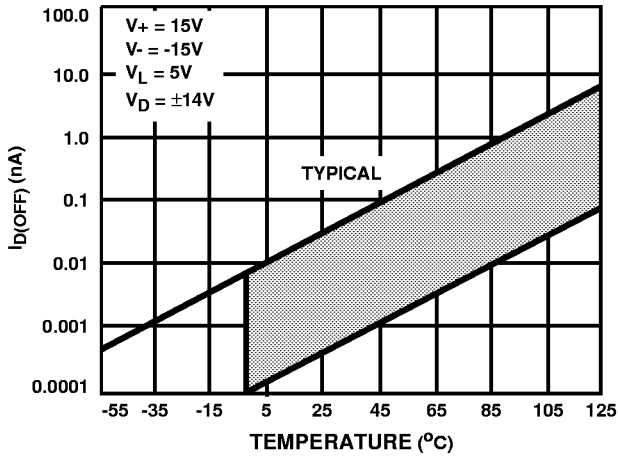


FIGURE 9.  $I_{D(OFF)}$  vs TEMPERATURE

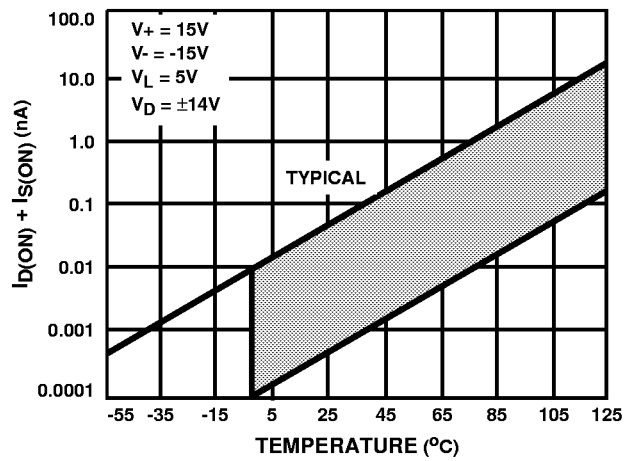


FIGURE 10.  $I_{D(ON)} + I_{S(ON)}$  vs TEMPERATURE

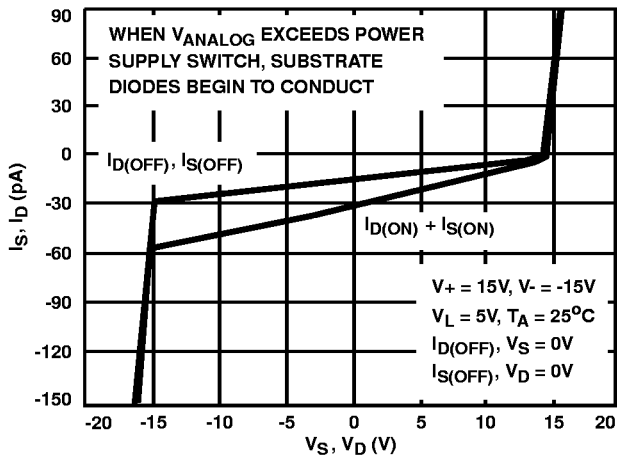


FIGURE 11. LEAKAGE CURRENT vs ANALOG VOLTAGE

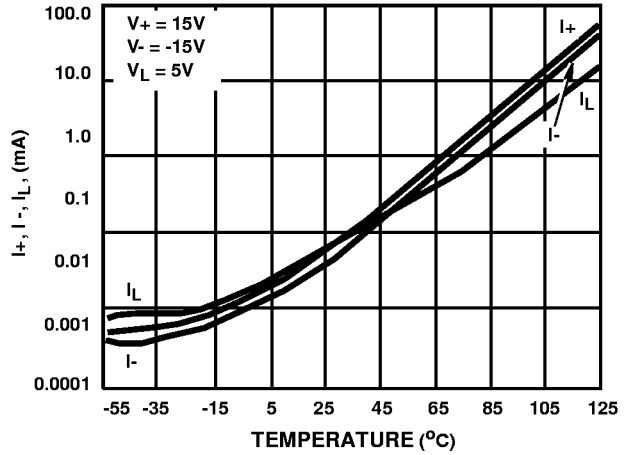


FIGURE 12. SUPPLY CURRENT vs TEMPERATURE

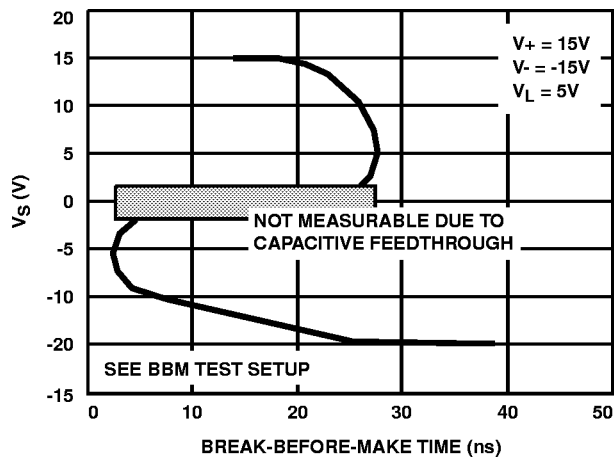


FIGURE 13. BREAK-BEFORE-MAKE vs ANALOG VOLTAGE

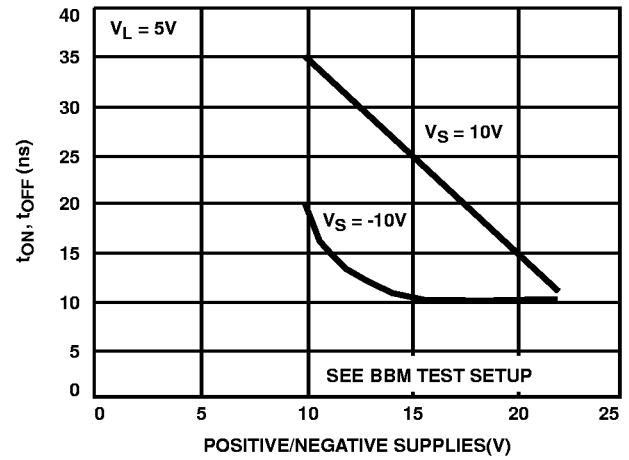


FIGURE 14. BREAK-BEFORE-MAKE vs POWER SUPPLY VOLTAGE

Typical Performance Curves (Continued)

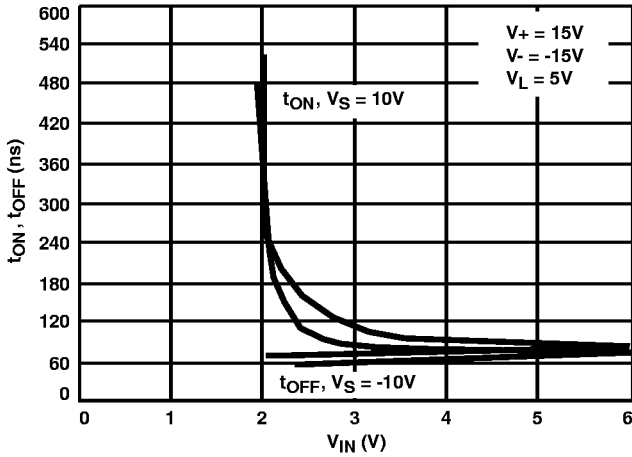


FIGURE 15. SWITCHING TIME vs INPUT LOGIC VOLTAGE ( $V_{IN}$ ) (NOTE 1)

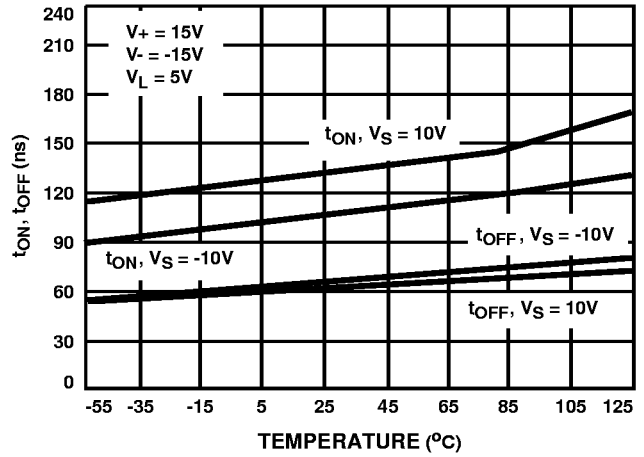


FIGURE 16. SWITCHING TIME vs TEMPERATURE (NOTE 1)

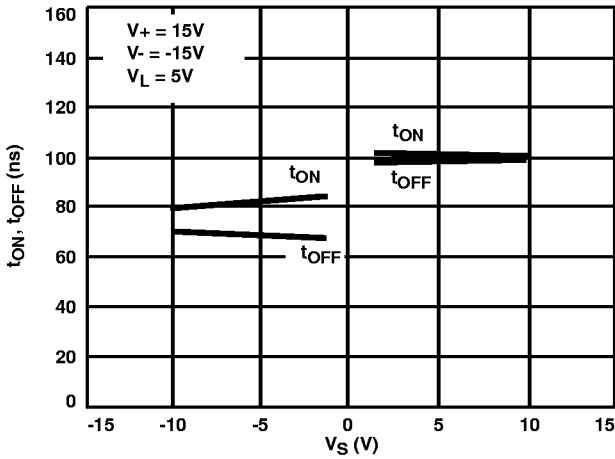


FIGURE 17. SWITCHING TIME vs ANALOG VOLTAGE (NOTE 1)

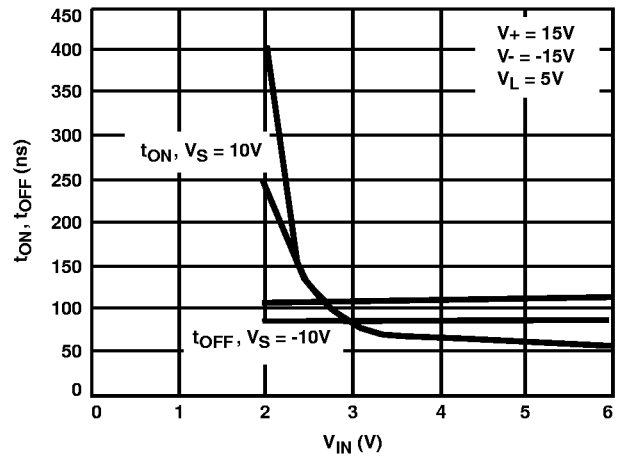


FIGURE 18. SWITCHING TIME vs INPUT LOGIC VOLTAGE ( $V_{IN}$ ) (NOTE 1)

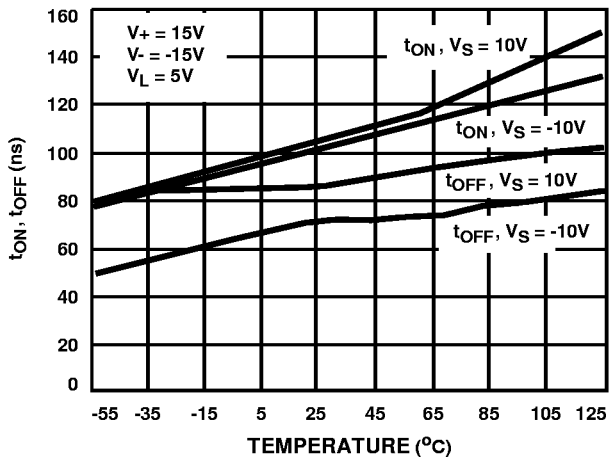


FIGURE 19. SWITCHING TIME vs TEMPERATURE (NOTE 1)

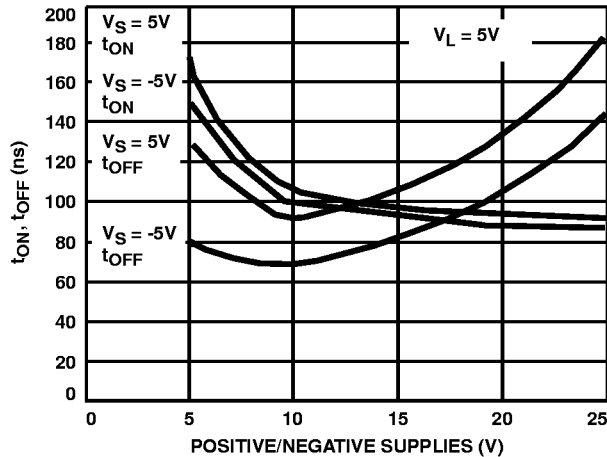


FIGURE 20. SWITCHING TIME vs POWER SUPPLY VOLTAGE (NOTE 1)

Typical Performance Curves (Continued)

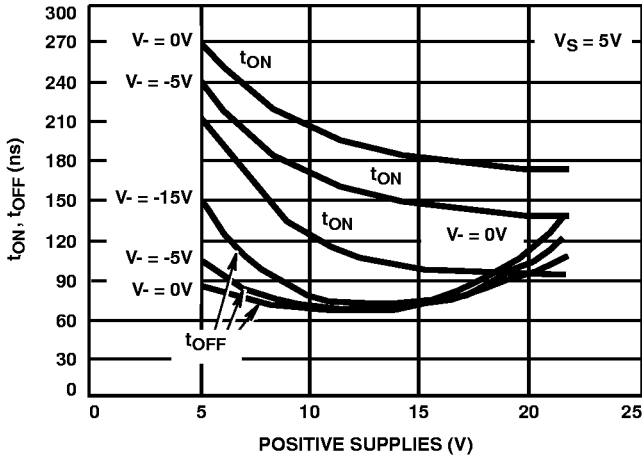


FIGURE 21. SWITCHING TIME vs POSITIVE SUPPLY VOLTAGE (NOTE 1)

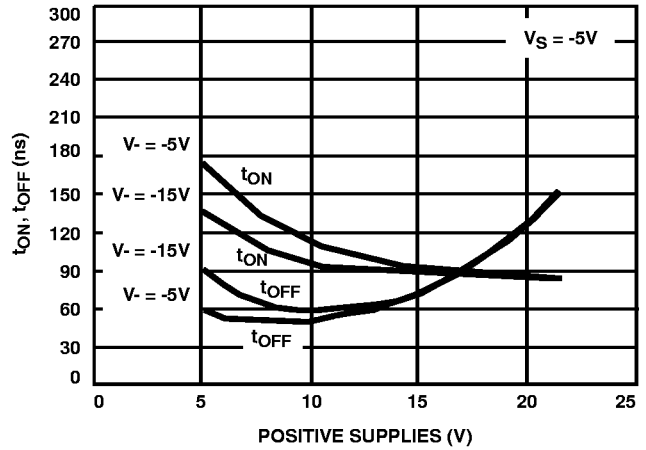


FIGURE 22. SWITCHING TIME vs POSITIVE SUPPLY VOLTAGE (NOTE 1)

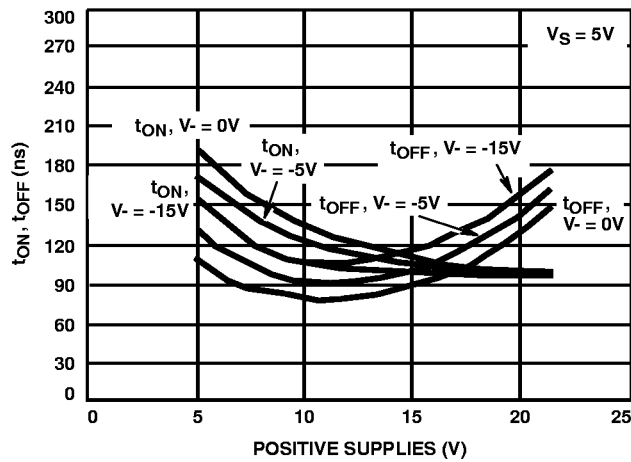


FIGURE 23. SWITCHING TIME vs POSITIVE SUPPLY VOLTAGE (NOTE 1)

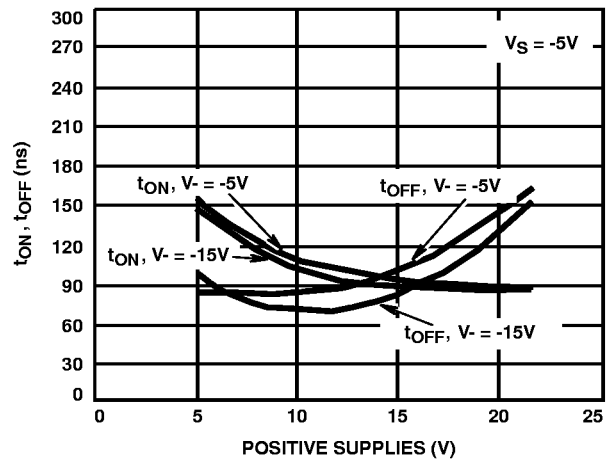


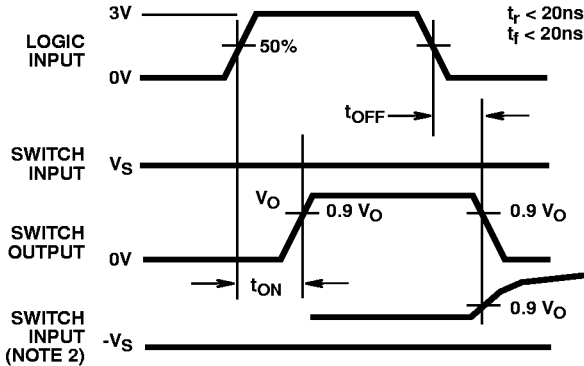
FIGURE 24. SWITCHING TIME vs POSITIVE SUPPLY VOLTAGE (NOTE 1)

NOTE:

1. Refer to Figure 1 for test conditions.



Test Circuits and Waveforms



NOTES:

1. Logic input waveform is inverted for switches that have the opposite logic sense.
2.  $V_S = 10V$  for  $t_{ON}$ ,  $V_S = -10V$  for  $t_{OFF}$ .

FIGURE 25A.

FIGURE 25. SWITCHING TIME

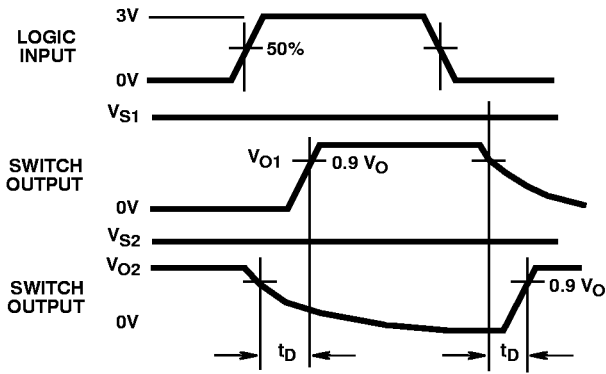
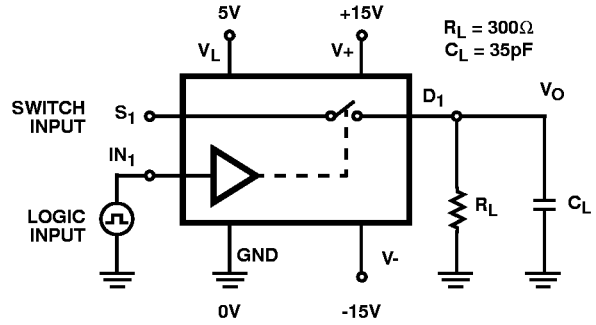


FIGURE 26A.

FIGURE 26. BREAK-BEFORE-MAKE

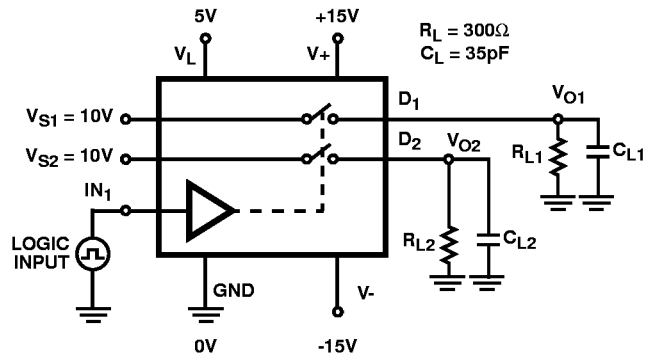


Repeat test for  $IN_2$  and  $S_2$ .

For load conditions, see Specifications.  $C_L$  (includes fixture and stray capacitance).

$$V_O = V_S \frac{R_L}{R_L + r_{DS(ON)}}$$

FIGURE 25B.



$C_L$  (includes fixture and stray capacitance).

FIGURE 26B.

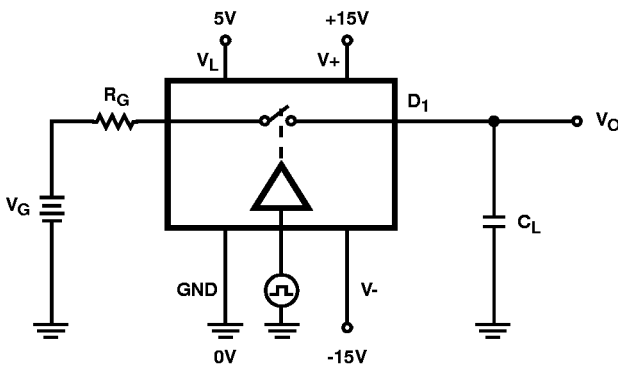
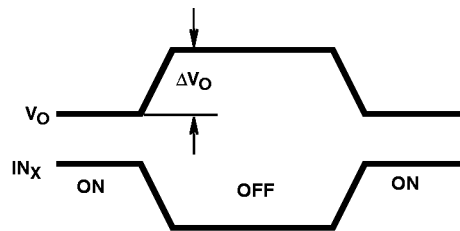


FIGURE 27A.

FIGURE 27. CHARGE INJECTION



$$Q = \Delta V_O \times C_L$$

FIGURE 27B.

**Test Circuits and Waveforms** (Continued)

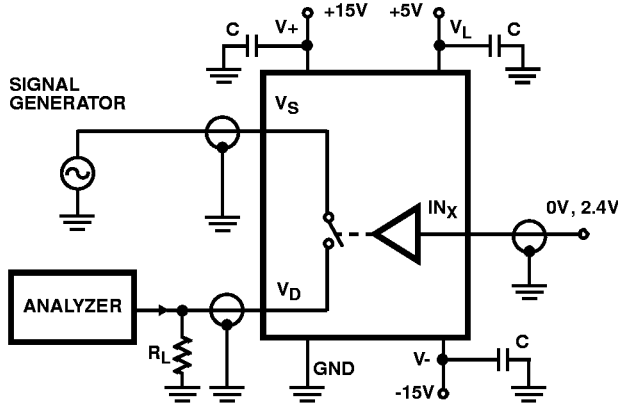


FIGURE 28. OFF ISOLATION

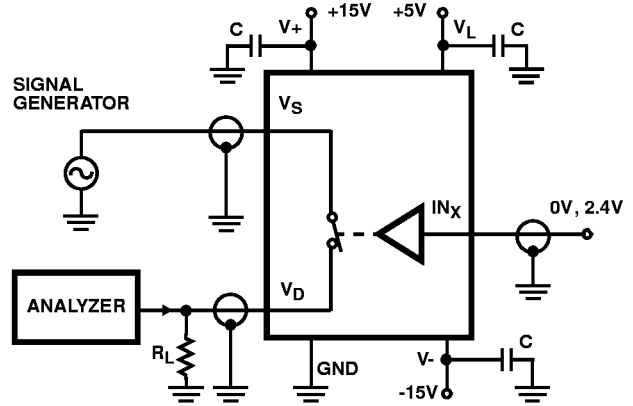


FIGURE 29. INSERTION LOSS

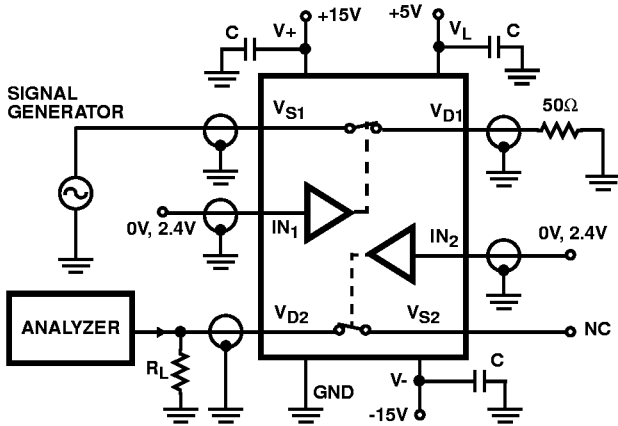


FIGURE 30. CROSSTALK

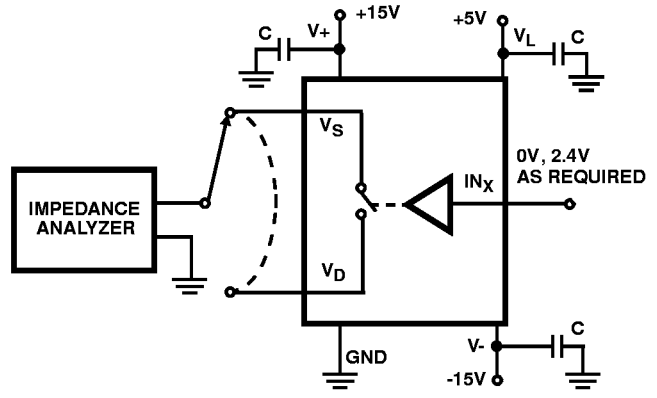


FIGURE 31. CAPACITANCES

**Dual Slope Integrators**

The DG403 is well suited to configure a selectable slope integrator. One control signal selects the timing capacitor  $C_1$  or  $C_2$ . Another one selects  $e_{IN}$  or discharges the capacitor in preparation for the next integration cycle.

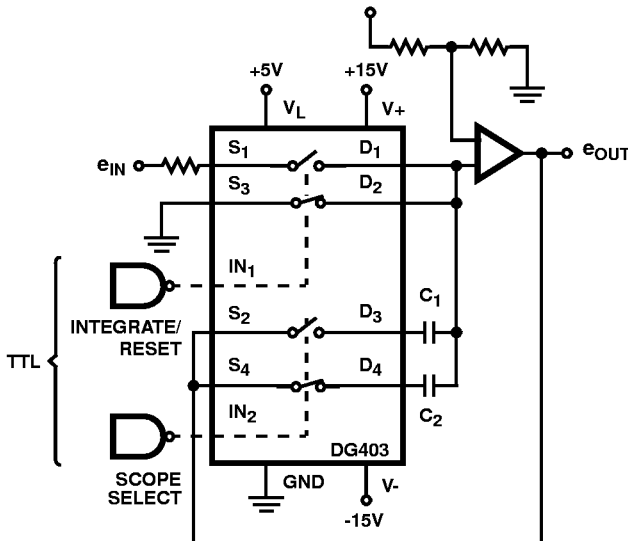


FIGURE 32. DUAL SLOPE INTEGRATOR

**Peak Detector**

$A_3$  acting as a comparator provides the logic drive for operating  $SW_1$ . the output of  $A_2$  is fed back to  $A_3$  and compared to the analog input  $e_{IN}$ . If  $e_{IN} > e_{OUT}$  the output of  $A_3$  is high keeping  $SW_1$  closed. This allows  $C_1$  to charge up to the analog input voltage. When  $e_{IN}$  goes below  $e_{OUT}$  of  $A_3$  goes negative, turning  $SW_1$  off. the system will therefore store the most positive analog input experienced.

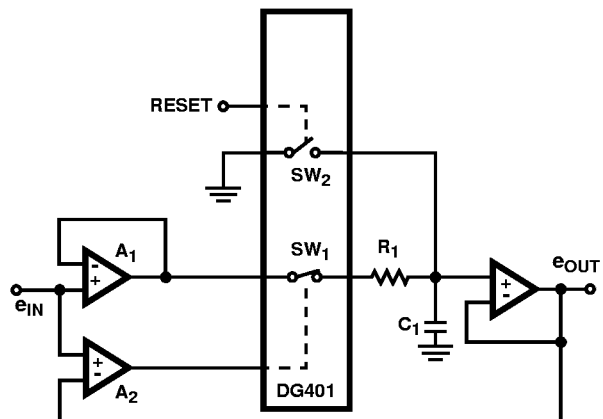


FIGURE 33. POSITIVE PEAK DETECTOR