

High Current and Performance White LED Driver

Features

- Input range from 2.6V~5.5V
- Built-in Power MOSFET
- Can drive up to 39 White LEDs with a 5V input
- Low standby current: 0.1 μ A (typ.) with V_{EN} low
- Integrated Over-voltage, Over-temperature and Over-current protection circuits
- Under voltage lock-out protection
- 1.2MHz fixed switching frequency
- High efficiency - up to 90%
- 6-pin SOT23-6 package

Applications

- Display Backlighting
 - Automatic
 - DVD player
 - Digital photo frame
 - Handheld computer
- LED lighting

General Description

The HT7939 is a high efficiency boost converter for driving White LEDs using current mode operation. The device is designed to drive up to 39 White LEDs from a 5V power supply. The White LED current is setup using an external current setting resistor, which has a low feedback voltage of 0.2V to minimise power losses in the resistor which improves efficiency. The Over-voltage function prevents damage to the IC by turning off the converter when the LED load is open circuit.

The device includes over current protection, over temperature protection and under voltage protection preventing damage to the device when the output is overloaded.

Selection Table

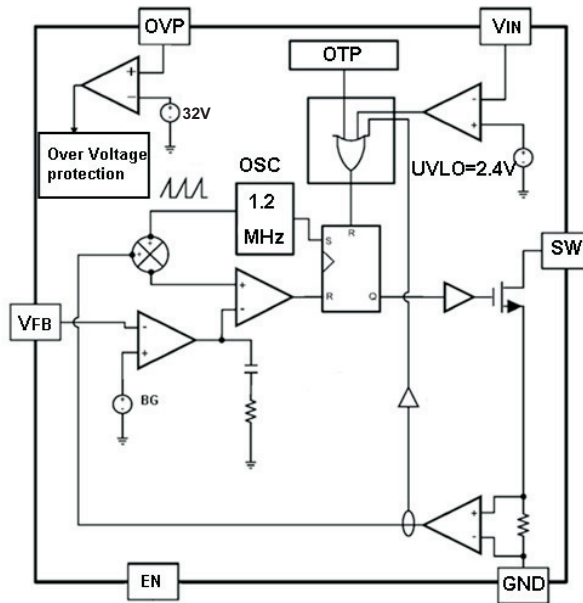
| Part No. | Package | Marking |
|----------|---------|----------------|
| HT7939 | SOT23-6 | 7939# 7939+ |

Note: Both lead free and green compound devices are available.

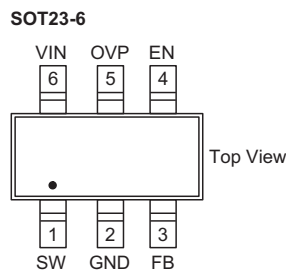
"#" stands for Lead-free devices.

"+" stands for green compound devices, which are Lead-free and Halogen-free.

Block Diagram



Pin Assignment



Pin Description

| Pin No. | Pin Name | Description |
|---------|----------|---|
| 1 | SW | Switching pin. Internal power MOSFET drain. Connected to inductor and diode. |
| 2 | GND | Signal Ground. |
| 3 | FB | Feedback pin. Reference voltage. The HT7939 feedback voltage is 200mV. Connect the sense resistor from FB to GND to set the LED current. Calculate resistor value according to $R_{FB} = \frac{200mV}{I_{LED}}$. |
| 4 | EN | Shutdown & Dimming control input. Don't allow this pin to float. |
| 5 | OVP | Over voltage protection pin which is connected to the output. |
| 6 | VIN | Input supply pin. The input supply pin for the IC. Connect VIN to a supply voltage between 2.6V~5.5V. |

Absolute Maximum Ratings

| | | | |
|---------------------------------|-----------------|-----------------------------------|----------------|
| Input Voltage..... | 6.0V | SW Voltage..... | 38V |
| FB Voltage..... | 6.0V | EN | 6.0V |
| OVP Voltage..... | 38V | Operating Temperature Range | -40°C to +85°C |
| Storage Temperature Range | -55°C to +150°C | Maximum Junction Temperature..... | +150°C |

Note: These are stress ratings only. Stresses exceeding the range specified under "Absolute Maximum Ratings" may cause substantial damage to the device. Functional operation of this device at other conditions beyond those listed in the specification is not implied and prolonged exposure to extreme conditions may affect device reliability.

Electrical Characteristics
 $V_{IN}=5V$; $L=10\mu H$; $T_a=25^\circ C$ (Unless otherwise specified)

| Symbol | Parameter | Test Conditions | Min. | Typ. | Max. | Unit |
|-------------------------|--------------------------------|------------------------|------|------|------|------------|
| V_{IN} | Input Voltage | — | 2.6 | — | 5.5 | V |
| UVLO | Under Voltage Lockout | — | — | 2.4 | 2.5 | V |
| I_{IN} | Supply Current | Switching | — | 1.0 | 2.5 | mA |
| | | $V_{EN}=0V$ | — | 0.1 | 1.0 | μA |
| Error Amplifier | | | | | | |
| V_{FB} | Feedback Voltage | — | 190 | 200 | 210 | mV |
| Power Switch | | | | | | |
| f_{OSC} | Switching Frequency | Measurement at SW pin | 0.8 | 1.2 | 1.6 | MHz |
| DC | Maximum Duty Cycle | | 85 | 90 | — | % |
| $R_{DS(ON)}$ | SW On Resistance | — | — | 0.5 | — | Ω |
| $I_{SW(OFF)}$ | Switch Leakage Current | — | — | 0.1 | 1.0 | μA |
| EN Pin | | | | | | |
| V_{IH} | EN Voltage High | $V_{IN}=2.6V\sim 5.5V$ | 2.0 | — | — | V |
| V_{IL} | EN Voltage Low | $V_{IN}=2.6V\sim 5.5V$ | — | — | 0.8 | V |
| OVP and OCP | | | | | | |
| V_{OVP} | OVP Threshold | No load | 29 | 32 | 35 | V |
| I_{OCP} | N-channel MOSFET Current Limit | — | — | 950 | — | mA |
| Thermal Shutdown | | | | | | |
| T_{SHUT} | Thermal Shutdown Threshold | — | — | 150 | — | $^\circ C$ |
| | Thermal shutdown Hysteresis | — | — | 25 | — | $^\circ C$ |

Function Description

VIN Under-Voltage Lockout – UVLO

The device contains an Input Under Voltage Lockout (UVLO) circuit. The purpose of the UVLO circuit is to ensure that the input voltage is high enough for reliable operation. When the input voltage falls below the under voltage threshold, the internal FET switch is turned off. If the input voltage rises by the under voltage lockout hysteresis, the device will restart. The UVLO threshold is set below the minimum input voltage of 2.6V to avoid any transient VIN drops under the UVLO threshold and causing the converter to turn off.

Current Limit Protection

The device has a cycle-by-cycle current limit to protect the internal power MOSFET. If the inductor current reaches the current limit threshold, the MOSFET will be turned off. It is important to note that this current limit will not protect the output from excessive current during an output short circuit. If an output short circuit has occurred, excessive current can damage both the inductor and diode.

Over-Voltage Protection – OVP

The device provides an over-voltage protection function. If the FB pin is shorted to ground or an LED is disconnected from the circuit, the FB pin voltage will fall to zero and the internal power MOSFET will switch with its full duty cycle. This may cause the output voltage to exceed its maximum voltage rating, possibly damaging the IC and external components. Internal over-voltage protection circuitry turns off the power MOSFET and shuts down the IC as soon as the output voltage exceeds the V_{OVP} threshold. As a result, the output voltage falls to the level of the input supply voltage. The device remains in shutdown mode until the power is recycled.

Over-Temperature protection – OTP

A thermal shutdown is implemented to prevent damages due to excessive heat and power dissipation. Typically the thermal shutdown threshold is 150°C. When the thermal shutdown is triggered the device stops switching until the temperature falls below typically 135°C. Then the device starts switching again.

Application Information

- Inductor Selection

The selection of the inductor affects steady state operation as well as transient behavior and loop stability. There are three important electrical parameters which need to be considered when choosing an inductor: the value of inductor, DCR (copper wire resistance) and the saturation current.

Choose an inductor that can handle the necessary peak current without saturating, and ensure that the inductor has a low DCR to minimise power losses. A 10μH~22μH inductor should be a good choice for most HT7939 applications. However, a more exact inductance value can be calculated. A good rule for choosing an inductor value is to allow the peak-to-peak ripple current to be approximately 30~50% of the maximum input current. Calculate the required inductance value using the following equation:

$$L = \frac{V_{IN} \times (V_{OUT} - V_{IN})}{V_{OUT} \times F_{SW} \times \Delta I_L}$$

$$I_{IN(MAX)} = \frac{V_{OUT} \times I_{OUT(MAX)}}{V_{IN} \times \eta}$$

$$\Delta I_L = (30\% \sim 50\%) \times I_{IN(MAX)}$$

$$I_{L(PEAK)} = I_{IN(MAX)} + \frac{1}{2} \Delta I_L$$

In the equation above, $I_{OUT(MAX)}$ is the maximum load current, ΔI_L is the peak-to-peak inductor ripple current, η is the converter efficiency, F_{SW} is the switching frequency and $I_{L(PEAK)}$ is the peak inductor current.

- Output Capacitor Selection

The output capacitor determines the steady state output voltage ripple. The voltage ripple is related to the capacitor's capacitance and its ESR (Equivalent Series Resistance). A ceramic capacitor with a low ESR value will provide the lowest voltage ripple and are therefore recommended. Due to its low ESR, the capacitance value can be calculated by the equation:

$$C_{out} = \frac{(V_O - V_{IN}) \times I_{OUT}}{V_{OUT} \times F_{SW} \times V_{ripple}}$$

In the equation above, V_{ripple} = peak to peak output ripple, F_{SW} is the switching frequency.

A 1μF~10μF ceramic capacitor is suitable for most application.

- Input Capacitor Selection

An input capacitor is required to supply the ripple current to the inductor, while limiting noise at the input source. A low ESR ceramic capacitors is required to keep the noise at the IC to a minimum.

A 4.7μF~10μF ceramic capacitor is suitable for most application. This capacitor must be connected very close to the VIN pin and inductor, with short traces for good noise performance.

• Schottky Diode Selection

The output rectifier diode conducts during the internal MOSFET is turn off. The average and peak current rating must be greater than the maximum output current and peak inductor current. The reverse breakdown voltage must be greater than the maximum output voltage. It is recommended to use a schottky diode with low forward voltage to minimize the power dissipation and therefore to maximize the efficiency of the converter. A 1N5819 type diode is recommended for HT7939 applications.

• LED Current Selection

The LED current is controlled by the current sense feedback resistor R_{fb} . The current sense feedback reference voltage is 200mV. In order to have accurate LED currents, precision resistors are the preferred type with a 1% tolerance. The LED current can be calculated from the following formula.

$$I_{LED} = \frac{V_{FB}}{R_{fb}} = \frac{200mV}{R_{fb}}$$

Where I_{LED} is the total output LED current, V_{FB} =feedback voltage, R_{fb} =current sense resistor.

• Digital and Analog Dimming Control

The LED illumination level can be controlled using both digital and analog methods.

The digital method uses a PWM signal applied to the EN pin. This is shown in figure 13. The average LED current increases proportionally with the PWM signal duty cycle. A 0% duty cycle corresponds to zero LED current. A 100% duty cycle corresponds to full LED current. The PWM signal frequency should be set below 1kHz due to the delay time of device startup.

There are two methods of analog LED brightness control. The first method uses a DC voltage to control the feedback voltage. If the DC voltage range is from 0V to 3.3V, the selection of resistors control the LED current from 20mA to 0mA as shown in figure14. The other way is to use a filtered PWM signal, as shown in figure15. The filtered PWM signal application acts in the same way as the DC voltage dimming control.

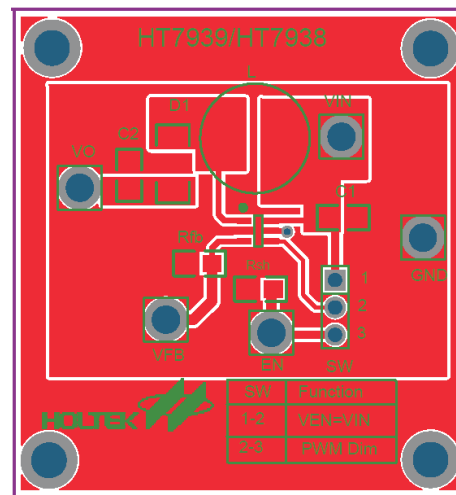
Layout Considerations

Circuit board layout is a very important consideration for switching regulators if they are to function properly. Poor circuit layout may result in related noise problems.

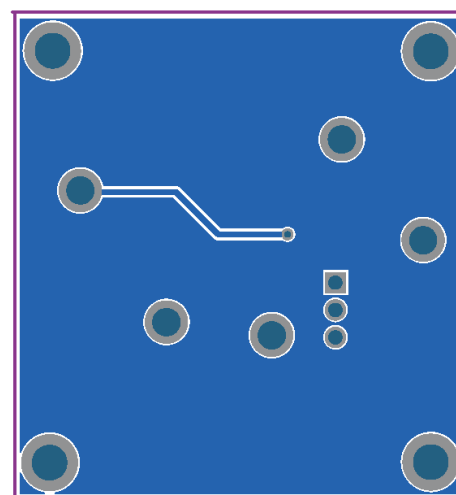
In order to minimize EMI and switching noise, please follow the guidelines below:

- All tracks should be as wide as possible.
- The input and output capacitors, C1 and C2, should be placed close to the VIN, VO and GND pins.
- The Schottky diode, D1, and inductor, L, must be placed close to the SW pin.
- Feedback resistor, Rfb, must be placed close to the FB and GND pins.
- A full ground plane is always helpful for better EMI performance.

A recommended PCB layout with component locations is shown below.



Top Layer



Bottom Layer

Typical Performance Characteristics

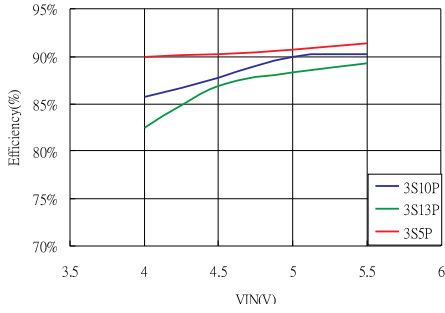


Fig.1 Efficiency vs Input Voltage

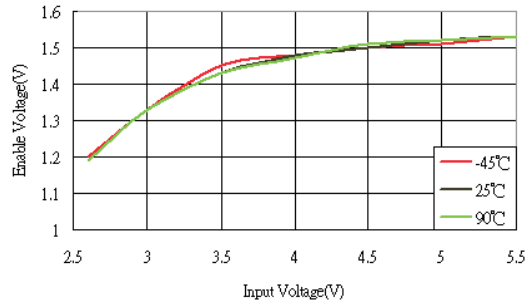


Fig.5 Enable Voltage VS Input Voltage

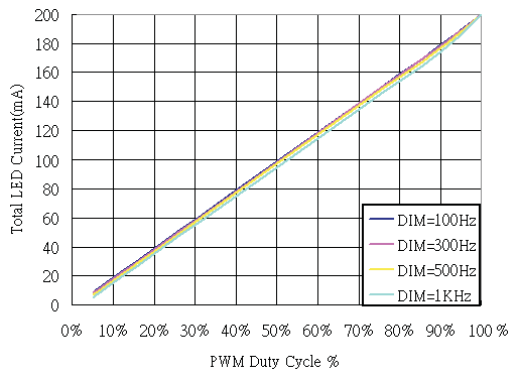


Fig.2 LED Current VS PWM Dimming (3S10P LEDs)

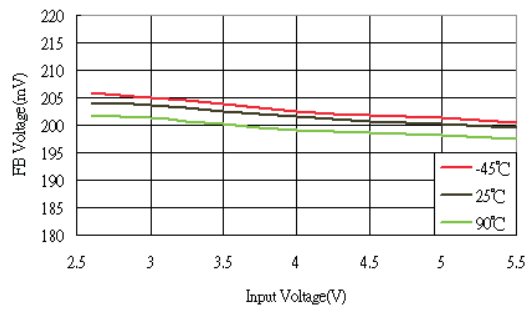


Fig.6 Feedback Voltage VS Input Voltage

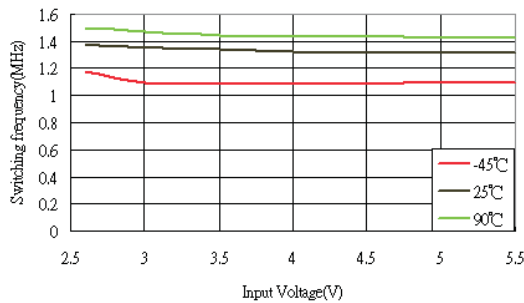


Fig.3 Switching Frequency VS Input Voltage

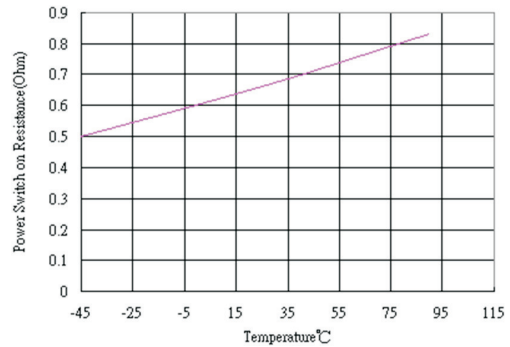


Fig.7 RDS(ON) VS Temperature

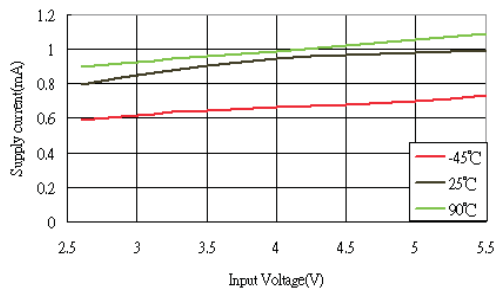


Fig.4 Supply Current VS Input Voltage

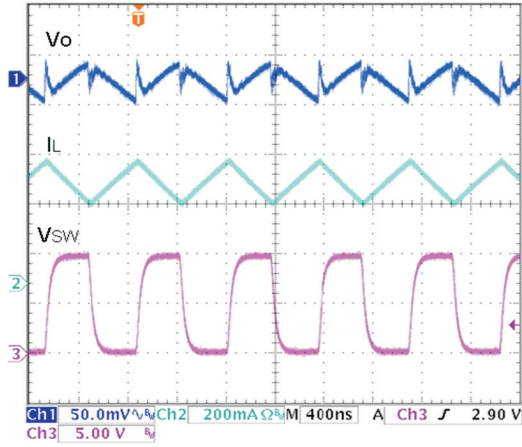


Fig.8 Switching Waveform

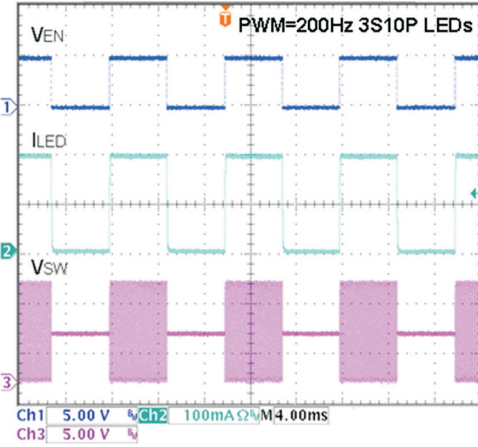


Fig.10 200Hz PWM Dimming Waveform

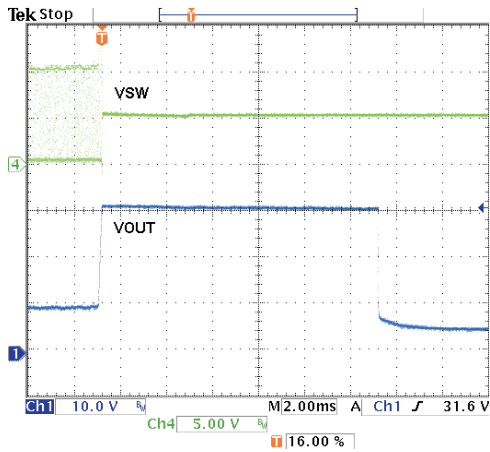


Fig.9 Open LED Protection

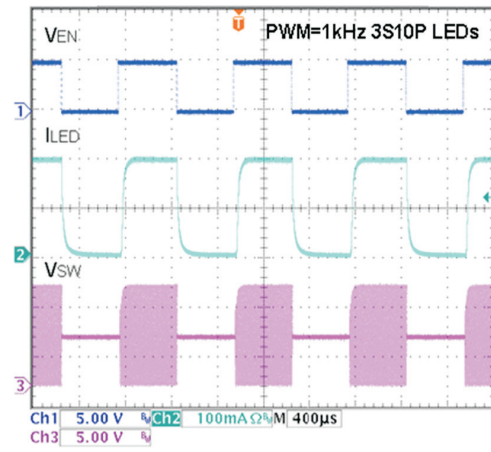
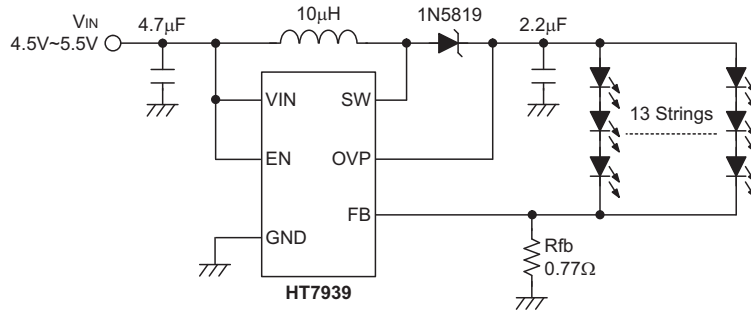


Fig. 11 1kHz PWM Dimming Waveform

Application Circuits



L: GS54-100K (GANG SONG)
 C1: GRM21BR61E475KA12L(MURATA)
 C2: GRM21BR71E225KA73L (MURATA)

Fig.12 Application Circuits for Driving 39 WLEDs

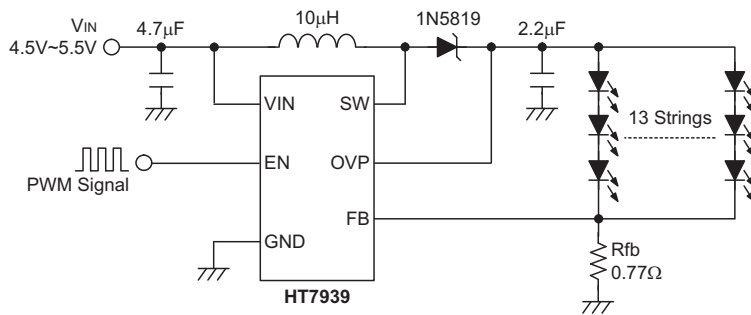


Fig.13 Application Circuit for Dimming Control Using a PWM Logic Signal

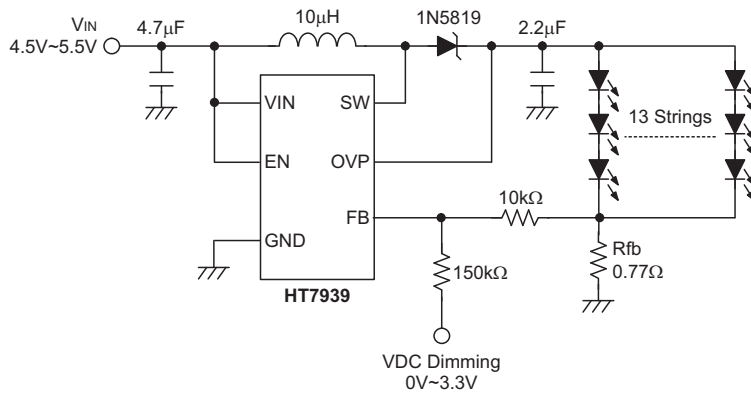


Fig.14 Application Circuit for Dimming Control Using a DC Voltage

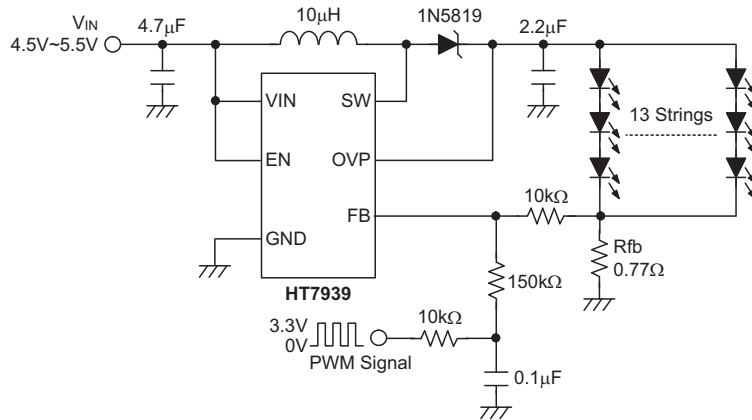


Fig.15 Application Circuit for Dimming Control Using a Filtered PWM Signal

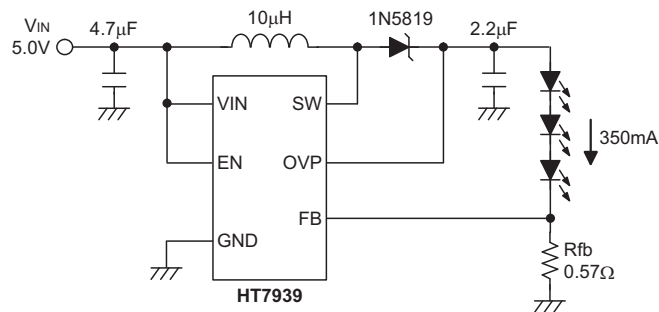
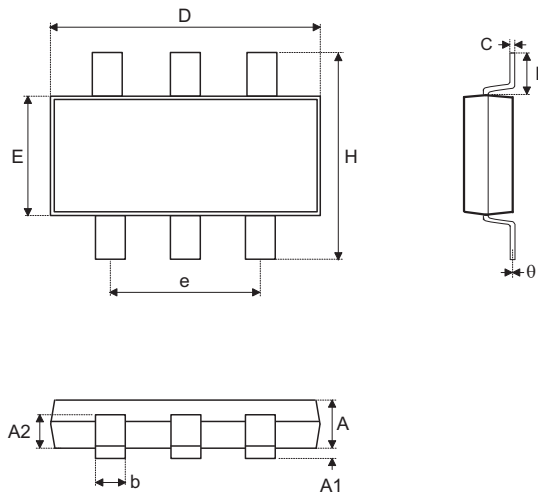


Fig.16 Application Circuit for Drive 3 High Brightness LEDs

Package Information

6-pin SOT23-6 Outline Dimensions

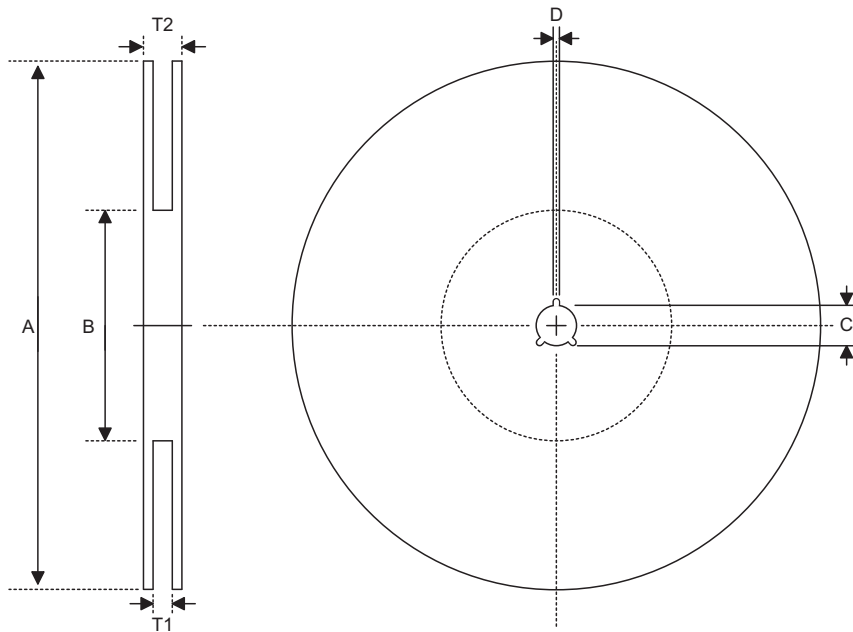


| Symbol | Dimensions in inch | | |
|----------|--------------------|-------|-------|
| | Min. | Nom. | Max. |
| A | 0.039 | — | 0.051 |
| A1 | — | — | 0.004 |
| A2 | 0.028 | — | 0.035 |
| b | 0.014 | — | 0.020 |
| C | 0.004 | — | 0.010 |
| D | 0.106 | — | 0.122 |
| E | 0.055 | — | 0.071 |
| e | — | 0.075 | — |
| H | 0.102 | — | 0.118 |
| L | 0.015 | — | — |
| θ | 0° | — | 9° |

| Symbol | Dimensions in mm | | |
|----------|------------------|------|------|
| | Min. | Nom. | Max. |
| A | 1.00 | — | 1.30 |
| A1 | — | — | 0.10 |
| A2 | 0.70 | — | 0.90 |
| b | 0.35 | — | 0.50 |
| C | 0.10 | — | 0.25 |
| D | 2.70 | — | 3.10 |
| E | 1.40 | — | 1.80 |
| e | — | 1.90 | — |
| H | 2.60 | — | 3.00 |
| L | 0.37 | — | — |
| θ | 0° | — | 9° |

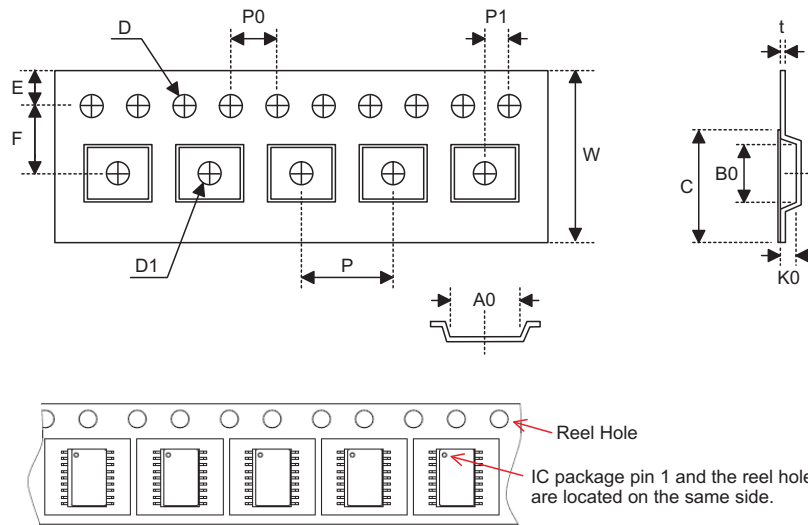
Product Tape and Reel Specifications

Reel Dimensions



SOT23-6

| Symbol | Description | Dimensions in mm |
|--------|-----------------------|---------------------------|
| A | Reel Outer Diameter | 178.0±1.0 |
| B | Reel Inner Diameter | 62.0±1.0 |
| C | Spindle Hole Diameter | 13.0±0.2 |
| D | Key Slit Width | 2.50±0.25 |
| T1 | Space Between Flange | 8.4 ^{+1.5/-0.0} |
| T2 | Reel Thickness | 11.4 ^{+1.5/-0.0} |

Carrier Tape Dimensions

SOT23-6

| Symbol | Description | Dimensions in mm |
|--------|--|--------------------------|
| W | Carrier Tape Width | 8.0±0.3 |
| P | Cavity Pitch | 4.0±0.1 |
| E | Perforation Position | 1.75±0.1 |
| F | Cavity to Perforation (Width Direction) | 3.50±0.05 |
| D | Perforation Diameter | 1.5 ^{+0.1/-0.0} |
| D1 | Cavity Hole Diameter | 1.5 ^{+0.1/-0.0} |
| P0 | Perforation Pitch | 4.0±0.1 |
| P1 | Cavity to Perforation (Length Direction) | 2.00±0.05 |
| A0 | Cavity Length | 3.15±0.10 |
| B0 | Cavity Width | 3.2±0.1 |
| K0 | Cavity Depth | 1.4±0.1 |
| t | Carrier Tape Thickness | 0.20±0.03 |
| C | Cover Tape Width | 5.3±0.1 |

Holtek Semiconductor Inc. (Headquarters)

No.3, Creation Rd. II, Science Park, Hsinchu, Taiwan
Tel: 886-3-563-1999
Fax: 886-3-563-1189
<http://www.holtek.com.tw>

Holtek Semiconductor Inc. (Taipei Sales Office)

4F-2, No. 3-2, YuanQu St., Nankang Software Park, Taipei 115, Taiwan
Tel: 886-2-2655-7070
Fax: 886-2-2655-7373
Fax: 886-2-2655-7383 (International sales hotline)

Holtek Semiconductor Inc. (Shenzhen Sales Office)

5F, Unit A, Productivity Building, No.5 Gaoxin M 2nd Road, Nanshan District, Shenzhen, China 518057
Tel: 86-755-8616-9908, 86-755-8616-9308
Fax: 86-755-8616-9722

Holtek Semiconductor (USA), Inc. (North America Sales Office)

46729 Fremont Blvd., Fremont, CA 94538, USA
Tel: 1-510-252-9880
Fax: 1-510-252-9885
<http://www.holtek.com>

Copyright © 2011 by HOLTEK SEMICONDUCTOR INC.

The information appearing in this Data Sheet is believed to be accurate at the time of publication. However, Holtek assumes no responsibility arising from the use of the specifications described. The applications mentioned herein are used solely for the purpose of illustration and Holtek makes no warranty or representation that such applications will be suitable without further modification, nor recommends the use of its products for application that may present a risk to human life due to malfunction or otherwise. Holtek's products are not authorized for use as critical components in life support devices or systems. Holtek reserves the right to alter its products without prior notification. For the most up-to-date information, please visit our web site at <http://www.holtek.com.tw>.