

# SN54ALS576B, SN54AS576 SN74ALS576B, SN74ALS577A, SN74AS576 OCTAL D-TYPE EDGE-TRIGGERED FLIP-FLOPS WITH 3-STATE OUTPUTS

SDAS065B – DECEMBER 1982 – REVISED JANUARY 1995

- 3-State Buffer-Type Inverting Outputs Drive Bus Lines Directly
- Bus-Structured Pinout
- Buffered Control Inputs
- SN74ALS577A Has Synchronous Clear
- Package Options Include Plastic Small-Outline (DW) Packages, Ceramic Chip Carriers (FK), Standard Plastic (N, NT) and Ceramic (J) 300-mil DIPs, and Ceramic Flat (W) Packages

## description

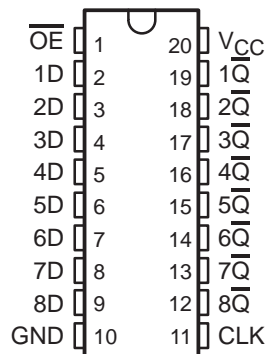
These octal D-type edge-triggered flip-flops feature 3-state outputs designed specifically for bus driving. They are particularly suitable for implementing buffer registers, I/O ports, bidirectional bus drivers, and working registers.

These flip-flops enter data on the low-to-high transition of the clock (CLK) input.

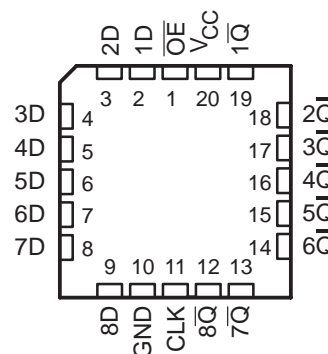
The output-enable ( $\overline{OE}$ ) input does not affect internal operations of the flip-flops. Old data can be retained or new data can be entered while the outputs are disabled.

The SN54ALS576B and SN54AS576 are characterized for operation over the full military temperature range of  $-55^{\circ}\text{C}$  to  $125^{\circ}\text{C}$ . The SN74ALS576B, SN74ALS577A, and SN74AS576 are characterized for operation from  $0^{\circ}\text{C}$  to  $70^{\circ}\text{C}$ .

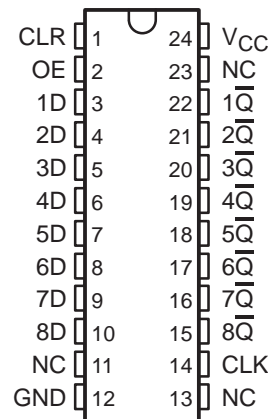
SN54ALS576B, SN54AS576 . . . J OR W PACKAGE  
SN74ALS576B, SN74AS576 . . . DW OR N PACKAGE  
(TOP VIEW)



SN54ALS576B, SN54AS576 . . . FK PACKAGE  
(TOP VIEW)



SN74ALS577A . . . DW OR NT PACKAGE  
(TOP VIEW)



NC – No internal connection

**SN54ALS576B, SN54AS576**  
**SN74ALS576B, SN74ALS577A, SN74AS576**  
**OCTAL D-TYPE EDGE-TRIGGERED FLIP-FLOPS WITH 3-STATE OUTPUTS**  
 SDAS065B – DECEMBER 1982 – REVISED JANUARY 1995

**Function Tables**

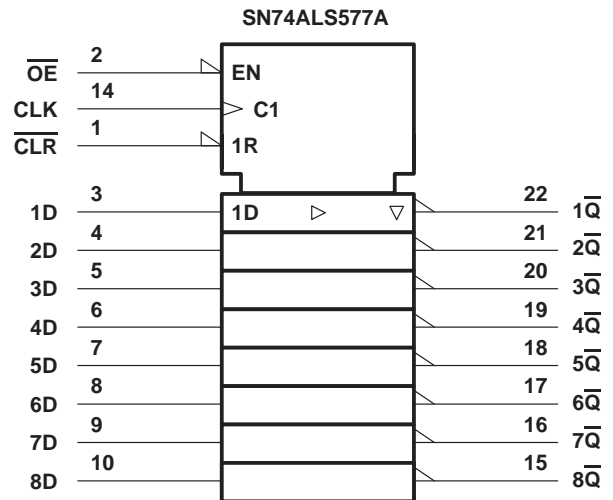
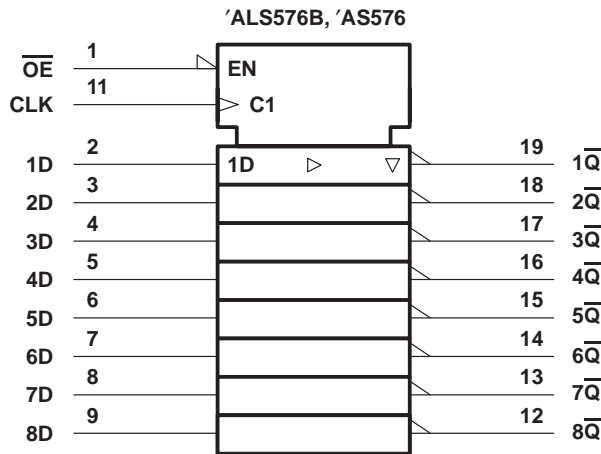
'ALS576B, 'AS576  
(each flip-flop)

INPUTS			OUTPUT
$\overline{OE}$	CLK	D	$\overline{Q}$
L	↑	H	L
L	↑	L	H
L	L	X	$\overline{Q}_0$
H	X	X	Z

SN74ALS577A  
(each flip-flop)

INPUTS				OUTPUT
$\overline{OE}$	$\overline{CLR}$	CLK	D	$\overline{Q}$
L	L	↑	X	H
L	H	↑	H	L
L	H	↑	L	H
L	H	L	X	$\overline{Q}_0$
H	X	X	X	Z

**logic symbols†**



† These symbols are in accordance with ANSI/IEEE Std 91-1984 and IEC Publication 617-12.

Pin numbers shown for the 'ALS576B and 'AS576 are for the DW, J, N, and W packages.

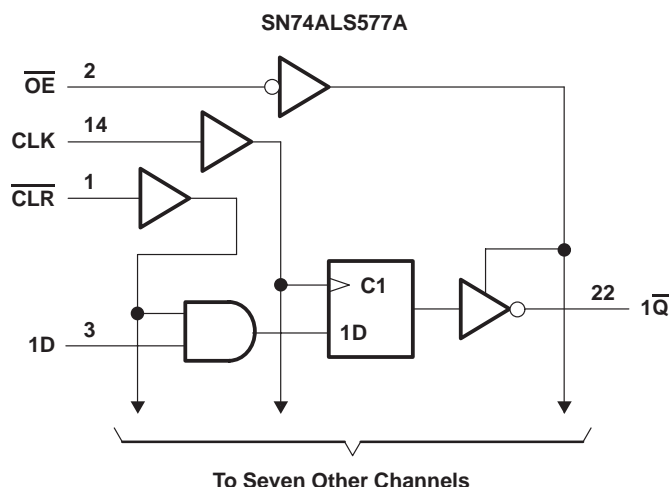
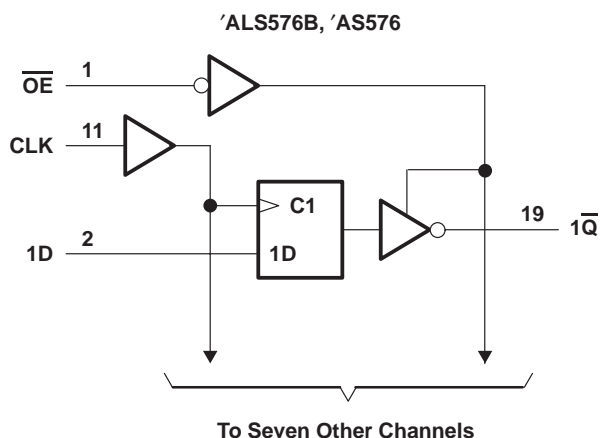
Pin numbers shown for the SN74ALS577A are for the DW and NT packages.

SN54ALS576B, SN54AS576  
SN74ALS576B, SN74ALS577A, SN74AS576

## OCTAL D-TYPE EDGE-TRIGGERED FLIP-FLOPS WITH 3-STATE OUTPUTS

SDAS065B – DECEMBER 1982 – REVISED JANUARY 1995

### logic diagrams (positive logic)



Pin numbers shown are for the DW, J, N, and W packages.

Pin numbers shown are for the DW and NT packages.

### absolute maximum ratings over operating free-air temperature range (unless otherwise noted)†

Supply voltage, $V_{CC}$	7 V
Input voltage, $V_I$	7 V
Voltage applied to a disabled 3-state output	5.5 V
Operating free-air temperature range, $T_A$ : SN54ALS576B	-55°C to 125°C
SN74ALS576B, SN74ALS577A	0°C to 70°C
Storage temperature range	-65°C to 150°C

† Stresses beyond those listed under "absolute maximum ratings" may cause permanent damage to the device. These are stress ratings only, and functional operation of the device at these or any other conditions beyond those indicated under "recommended operating conditions" is not implied. Exposure to absolute-maximum-rated conditions for extended periods may affect device reliability.

### recommended operating conditions

		SN54ALS576B			SN74ALS576B SN74ALS577A			UNIT	
		MIN	NOM	MAX	MIN	NOM	MAX		
$V_{CC}$	Supply voltage	4.5	5	5.5	4.5	5	5.5	V	
$V_{IH}$	High-level input voltage	2			2			V	
$V_{IL}$	Low-level input voltage			0.7			0.8	V	
$I_{OH}$	High-level output current			-1			-2.6	mA	
$I_{OL}$	Low-level output current			12			24	mA	
$f_{clock}$	Clock frequency	'ALS576B		0	22	0		30	MHz
		SN74ALS577A				0		30	
$t_w$	Pulse duration	'ALS576B, CLK high or low		25		16.5		ns	
		SN74ALS577A, CLK high or low				16.5			
$t_{su}$	Setup time before CLK↑	Data		15		15		ns	
		SN74ALS577A CLR				15			
$t_h$	Hold time after CLK↑	Data		4		0		ns	
		SN74ALS577A CLR				0			
$T_A$	Operating free-air temperature		-55	125		0	70	°C	



**SN54ALS576B, SN54AS576**  
**SN74ALS576B, SN74ALS577A, SN74AS576**  
**OCTAL D-TYPE EDGE-TRIGGERED FLIP-FLOPS WITH 3-STATE OUTPUTS**

SDAS065B – DECEMBER 1982 – REVISED JANUARY 1995

electrical characteristics over recommended operating free-air temperature range (unless otherwise noted)

PARAMETER	TEST CONDITIONS		SN54ALS576B			SN74ALS576B SN74ALS577A			UNIT
			MIN	TYP†	MAX	MIN	TYP†	MAX	
$V_{IK}$	$V_{CC} = 4.5\text{ V}$ , $I_I = -18\text{ mA}$		-1.2			-1.2			V
$V_{OH}$	$V_{CC} = 4.5\text{ V to }5.5\text{ V}$ , $I_{OH} = -0.4\text{ mA}$		$V_{CC} - 2$			$V_{CC} - 2$			V
	$V_{CC} = 4.5\text{ V}$	$I_{OH} = -1\text{ mA}$	2.4	3.3					
			$I_{OH} = -2.6\text{ mA}$			2.4	3.2		
$V_{OL}$	$V_{CC} = 4.5\text{ V}$		$I_{OL} = 12\text{ mA}$		0.25	0.4	0.25	0.4	V
			$I_{OL} = 24\text{ mA}$				0.35	0.5	
$I_{OZH}$	$V_{CC} = 5.5\text{ V}$ , $V_O = 2.7\text{ V}$		20			20			$\mu\text{A}$
$I_{OZL}$	$V_{CC} = 5.5\text{ V}$ , $V_O = 0.4\text{ V}$		-20			-20			$\mu\text{A}$
$I_I$	$V_{CC} = 5.5\text{ V}$ , $V_I = 7\text{ V}$		0.1			0.1			mA
$I_{IH}$	$V_{CC} = 5.5\text{ V}$ , $V_I = 2.7\text{ V}$		20			20			$\mu\text{A}$
$I_{IL}$	$V_{CC} = 5.5\text{ V}$ , $V_I = 0.4\text{ V}$		-0.2			-0.2			mA
$I_{O\ddagger}$	$V_{CC} = 5.5\text{ V}$ , $V_O = 2.25\text{ V}$		-20		-112	-30		-112	mA
$I_{CC}$	$V_{CC} = 5.5\text{ V}$		Outputs high		10	18	10	18	mA
			Outputs low		15	24	15	24	
			Outputs disabled		16	30	16	30	

† All typical values are at  $V_{CC} = 5\text{ V}$ ,  $T_A = 25^\circ\text{C}$ .

‡ The output conditions have been chosen to produce a current that closely approximates one half of the true short-circuit output current,  $I_{OS}$ .

switching characteristics (see Figure 1)

PARAMETER	FROM (INPUT)	TO (OUTPUT)	$V_{CC} = 4.5\text{ V to }5.5\text{ V}$ , $C_L = 50\text{ pF}$ , $R_1 = 500\ \Omega$ , $R_2 = 500\ \Omega$ , $T_A = \text{MIN to MAX}\S$						UNIT
			SN54ALS576B		SN74ALS576B		SN74ALS577A		
			MIN	MAX	MIN	MAX	MIN	MAX	
$f_{max}$			22		30		30		MHz
$t_{PLH}$	CLK	Any $\bar{Q}$	4	24	3	14	4	14	ns
$t_{PHL}$			4	20	4	14	4	14	
$t_{PZH}$	$\overline{OE}$	Any $\bar{Q}$	4	24	3	18	4	18	ns
$t_{PZL}$			3	23	4	18	4	18	
$t_{PHZ}$	$\overline{OE}$	Any $\bar{Q}$	2	14	1	10	2	10	ns
$t_{PLZ}$			3	29	2	15	3	15	

§ For conditions shown as MIN or MAX, use the appropriate value specified under recommended operating conditions.

SN54ALS576B, SN54AS576  
SN74ALS576B, SN74ALS577A, SN74AS576

## OCTAL D-TYPE EDGE-TRIGGERED FLIP-FLOPS WITH 3-STATE OUTPUTS

SDAS065B – DECEMBER 1982 – REVISED JANUARY 1995

### absolute maximum ratings over operating free-air temperature range (unless otherwise noted)†

Supply voltage, $V_{CC}$ .....	7 V
Input voltage, $V_I$ .....	7 V
Voltage applied to a disabled 3-state output .....	5.5 V
Operating free-air temperature range, $T_A$ : SN54AS576 .....	–55°C to 125°C
SN74AS576 .....	0°C to 70°C
Storage temperature range .....	–65°C to 150°C

† Stresses beyond those listed under “absolute maximum ratings” may cause permanent damage to the device. These are stress ratings only, and functional operation of the device at these or any other conditions beyond those indicated under “recommended operating conditions” is not implied. Exposure to absolute-maximum-rated conditions for extended periods may affect device reliability.

### recommended operating conditions

		SN54AS576			SN74AS576			UNIT
		MIN	NOM	MAX	MIN	NOM	MAX	
$V_{CC}$	Supply voltage	4.5	5	5.5	4.5	5	5.5	V
$V_{IH}$	High-level input voltage	2			2			V
$V_{IL}$	Low-level input voltage			0.8			0.8	V
$I_{OH}$	High-level output current			–12			–15	mA
$I_{OL}$	Low-level output current			32			48	mA
$f_{clock}^*$	Clock frequency	0		100	0		125	MHz
$t_w^*$	Pulse duration	CLK high		5			4	ns
		CLK low		4			2	
$t_{su}^*$	Setup time, data before CLK↑			3			2	ns
$t_h^*$	Hold time, data after CLK↑			3			2	ns
$T_A$	Operating free-air temperature	–55		125	0		70	°C

\* On products compliant to MIL-STD-883, Class B, this parameter is based on characterization data but is not production tested.



**SN54ALS576B, SN54AS576**  
**SN74ALS576B, SN74ALS577A, SN74AS576**  
**OCTAL D-TYPE EDGE-TRIGGERED FLIP-FLOPS WITH 3-STATE OUTPUTS**

SDAS065B – DECEMBER 1982 – REVISED JANUARY 1995

**electrical characteristics over recommended operating free-air temperature range (unless otherwise noted)**

PARAMETER	TEST CONDITIONS		SN54AS576			SN74AS576			UNIT
			MIN	TYP†	MAX	MIN	TYP†	MAX	
$V_{IK}$	$V_{CC} = 4.5\text{ V}$ , $I_I = -18\text{ mA}$		-1.2			-1.2			V
$V_{OH}$	$V_{CC} = 4.5\text{ V to } 5.5\text{ V}$ , $I_{OH} = -2\text{ mA}$		$V_{CC} - 2$			$V_{CC} - 2$			V
	$V_{CC} = 4.5\text{ V}$	$I_{OH} = -12\text{ mA}$	2.4	3.2		2.4	3.3		
$V_{OL}$		$V_{CC} = 4.5\text{ V}$	$I_{OL} = 32\text{ mA}$	0.29	0.5				V
	$I_{OL} = 48\text{ mA}$					0.33	0.5		
$I_{OZH}$	$V_{CC} = 5.5\text{ V}$ ,	$V_O = 2.7\text{ V}$	50			50			$\mu\text{A}$
$I_{OZL}$	$V_{CC} = 5.5\text{ V}$ ,	$V_O = 0.4\text{ V}$	-50			-50			$\mu\text{A}$
$I_I$	$V_{CC} = 5.5\text{ V}$ ,	$V_I = 7\text{ V}$	0.1			0.1			mA
$I_{IH}$	$V_{CC} = 5.5\text{ V}$ ,	$V_I = 2.7\text{ V}$	20			20			$\mu\text{A}$
$I_{IL}$	D	$V_{CC} = 5.5\text{ V}$ , $V_I = 0.4\text{ V}$	-3			-2			mA
	All others		-0.5			-0.5			
$I_{O\ddagger}$	$V_{CC} = 5.5\text{ V}$ ,	$V_O = 2.25\text{ V}$	-30	-112	-30	-112		mA	
$I_{CC}$	$V_{CC} = 5.5\text{ V}$	Outputs high	77	125	77	125		mA	
		Outputs low	84	135	84	135			
		Outputs disabled	84	135	84	135			

† All typical values are at  $V_{CC} = 5\text{ V}$ ,  $T_A = 25^\circ\text{C}$ .

‡ The output conditions have been chosen to produce a current that closely approximates one half of the true short-circuit output current,  $I_{OS}$ .

**switching characteristics (see Figure 1)**

PARAMETER	FROM (INPUT)	TO (OUTPUT)	$V_{CC} = 4.5\text{ V to } 5.5\text{ V}$ , $C_L = 50\text{ pF}$ , $R_1 = 500\ \Omega$ , $R_2 = 500\ \Omega$ , $T_A = \text{MIN to MAX}\S$				UNIT
			SN54AS576		SN74AS576		
			MIN	MAX	MIN	MAX	
$f_{\text{max}}^*$			100		125	MHz	
$t_{PLH}$	CLK	Any $\bar{Q}$	3	11	3	8	ns
$t_{PHL}$			4	11	4	9	
$t_{PZH}$	$\overline{OE}$	Any $\bar{Q}$	2	7	2	6	ns
$t_{PZL}$			3	11	3	10	
$t_{PHZ}$	$\overline{OE}$	Any $\bar{Q}$	2	7	2	6	ns
$t_{PLZ}$			2	7	2	6	

\* On products compliant to MIL-STD-883, Class B, this parameter is based on characterization data but is not production tested.

§ For conditions shown as MIN or MAX, use the appropriate value specified under recommended operating conditions.

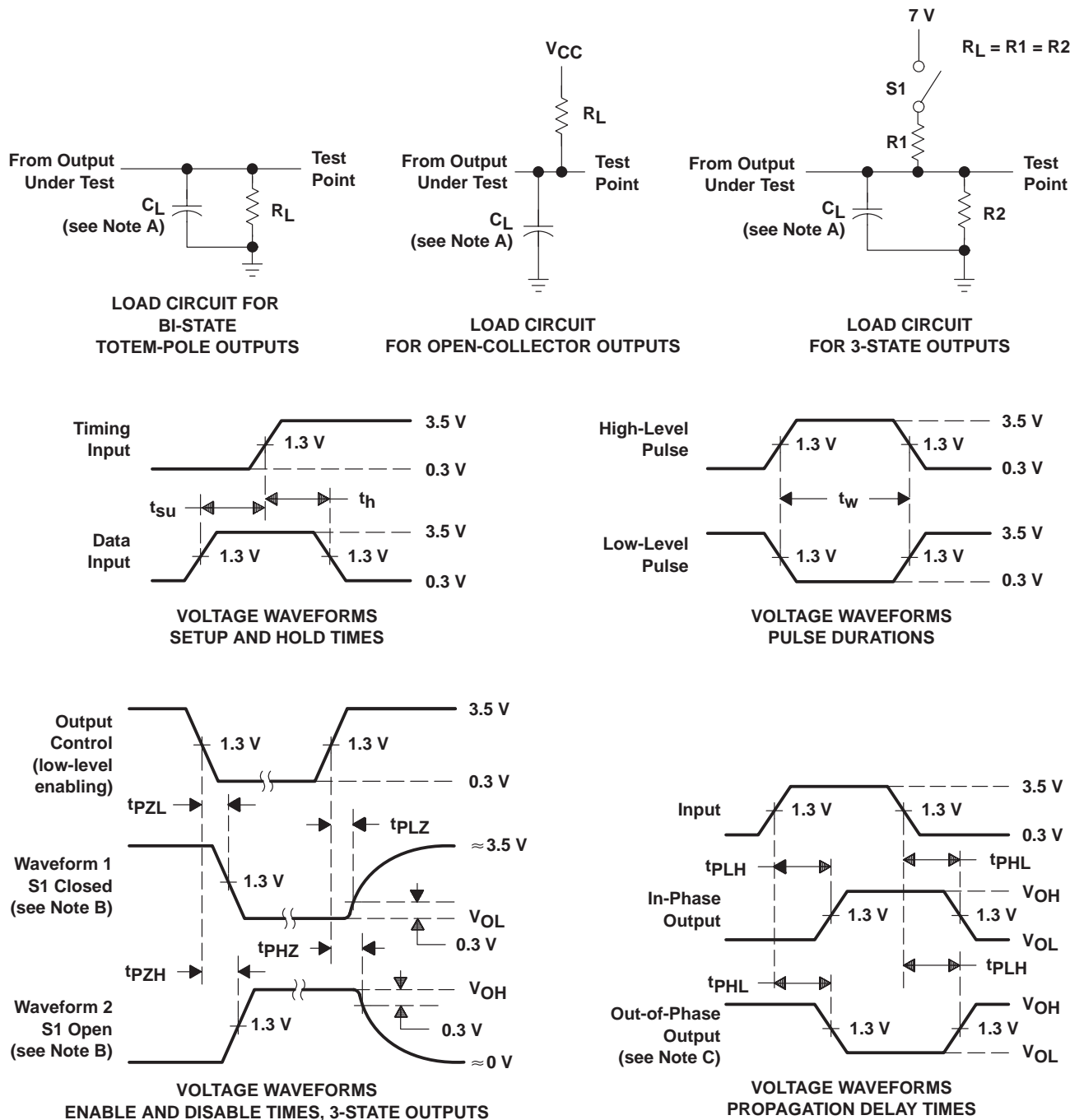


SN54ALS576B, SN54AS576  
SN74ALS576B, SN74ALS577A, SN74AS576

# OCTAL D-TYPE EDGE-TRIGGERED FLIP-FLOPS WITH 3-STATE OUTPUTS

SDAS065B – DECEMBER 1982 – REVISED JANUARY 1995

## PARAMETER MEASUREMENT INFORMATION SERIES 54ALS/74ALS AND 54AS/74AS DEVICES



- NOTES: A.  $C_L$  includes probe and jig capacitance.  
 B. Waveform 1 is for an output with internal conditions such that the output is low except when disabled by the output control. Waveform 2 is for an output with internal conditions such that the output is high except when disabled by the output control.  
 C. When measuring propagation delay items of 3-state outputs, switch S1 is open.  
 D. All input pulses have the following characteristics:  $PRR \leq 1$  MHz,  $t_r = t_f = 2$  ns, duty cycle = 50%.  
 E. The outputs are measured one at a time with one transition per measurement.

**Figure 1. Load Circuits and Voltage Waveforms**

## IMPORTANT NOTICE

Texas Instruments and its subsidiaries (TI) reserve the right to make changes to their products or to discontinue any product or service without notice, and advise customers to obtain the latest version of relevant information to verify, before placing orders, that information being relied on is current and complete. All products are sold subject to the terms and conditions of sale supplied at the time of order acknowledgement, including those pertaining to warranty, patent infringement, and limitation of liability.

TI warrants performance of its semiconductor products to the specifications applicable at the time of sale in accordance with TI's standard warranty. Testing and other quality control techniques are utilized to the extent TI deems necessary to support this warranty. Specific testing of all parameters of each device is not necessarily performed, except those mandated by government requirements.

CERTAIN APPLICATIONS USING SEMICONDUCTOR PRODUCTS MAY INVOLVE POTENTIAL RISKS OF DEATH, PERSONAL INJURY, OR SEVERE PROPERTY OR ENVIRONMENTAL DAMAGE ("CRITICAL APPLICATIONS"). TI SEMICONDUCTOR PRODUCTS ARE NOT DESIGNED, AUTHORIZED, OR WARRANTED TO BE SUITABLE FOR USE IN LIFE-SUPPORT DEVICES OR SYSTEMS OR OTHER CRITICAL APPLICATIONS. INCLUSION OF TI PRODUCTS IN SUCH APPLICATIONS IS UNDERSTOOD TO BE FULLY AT THE CUSTOMER'S RISK.

In order to minimize risks associated with the customer's applications, adequate design and operating safeguards must be provided by the customer to minimize inherent or procedural hazards.

TI assumes no liability for applications assistance or customer product design. TI does not warrant or represent that any license, either express or implied, is granted under any patent right, copyright, mask work right, or other intellectual property right of TI covering or relating to any combination, machine, or process in which such semiconductor products or services might be or are used. TI's publication of information regarding any third party's products or services does not constitute TI's approval, warranty or endorsement thereof.



**PRODUCT FOLDER** | PRODUCT INFO: [FEATURES](#) | [DESCRIPTION](#) | [DATASHEETS](#) | [PRICING/AVAILABILITY/PKG](#) | [APPLICATION NOTES](#) | [USER GUIDES](#) | [MORE LITERATURE](#)

PRODUCT SUPPORT: [TRAINING](#)

## SN54ALS576B, Octal D-type Edge-Triggered Flip-Flops With 3-State Outputs

DEVICE STATUS: ACTIVE

PARAMETER NAME	SN54ALS576B	SN74ALS576B
Voltage Nodes (V)	5	5
Vcc range (V)	4.5 to 5.5	4.5 to 5.5
Input Level	TTL	TTL
Output Level	TTL	TTL
Output Drive (mA)		-2.6/24
No. of Outputs	8	8
Static Current		21
th (ns)		0
tpd max (ns)		14
tsu (ns)		15
Logic	Inv	Inv

### FEATURES

[▲Back to Top](#)

- 3-State Buffer-Type Inverting Outputs Drive Bus Lines Directly
- Bus-Structured Pinout
- Buffered Control Inputs
- SN74ALS577A Has Synchronous Clear
- Package Options Include Plastic Small-Outline (DW) Packages, Ceramic Chip Carriers (FK), Standard Plastic (N, NT) and Ceramic (J) 300-mil DIPs, and Ceramic Flat (W) Packages

### DESCRIPTION

[▲Back to Top](#)

These octal D-type edge-triggered flip-flops feature 3-state outputs designed specifically for bus driving. They are particularly suitable for implementing buffer registers, I/O ports, bidirectional bus drivers, and working registers.

These flip-flops enter data on the low-to-high transition of the clock (CLK) input.

The output-enable ( $\overline{OE}$ ) input does not affect internal operations of the flip-flops. Old data can be retained or new data can be entered while the outputs are disabled.

The SN54ALS576B and SN54AS576 are characterized for operation over the full military temperature range of -55°C to 125°C. The SN74ALS576B, SN74ALS577A, and SN74AS576 are characterized for operation from 0°C to 70°C.

### TECHNICAL DOCUMENTS

[▲Back to Top](#)

To view the following documents, [Acrobat Reader 4.0](#) is required.

To download a document to your hard drive, right-click on the link and choose 'Save'.

**DATASHEET**

[▲Back to Top](#)

Full datasheet in Acrobat PDF: [sn54als576b.pdf](#) (127 KB, Rev.B) (Updated: 01/01/1995)

**APPLICATION NOTES**

[▲Back to Top](#)

View Application Notes for [Digital Logic](#)

- [Advanced Schottky \(ALS and AS\) Logic Families](#) (SDAA010 - Updated: 08/01/1995)
- [Bus-Interface Devices With Output-Damping Resistors Or Reduced-Drive Outputs \(Rev. A\)](#) (SCBA012A - Updated: 08/01/1997)
- [Designing With Logic \(Rev. C\)](#) (SDYA009C - Updated: 06/01/1997)
- [Evaluation of Nickel/Palladium/Gold-Finished Surface-Mount Integrated Circuits](#) (SZZA026 - Updated: 06/20/2001)
- [Input and Output Characteristics of Digital Integrated Circuits](#) (SDYA010 - Updated: 10/01/1996)
- [Live Insertion](#) (SDYA012 - Updated: 10/01/1996)
- [TI IBIS File Creation, Validation, and Distribution Processes](#) (SZZA034 - Updated: 08/29/2002)
- [Understanding and Interpreting Texas Instruments Standard-Logic Products Data Sh \(Rev. A\)](#) (SZZA036A - Updated: 02/27/2003)

**MORE LITERATURE**

[▲Back to Top](#)

- [Enhanced Plastic Portfolio Brochure](#) (SGZB004, 387 KB - Updated: 08/19/2002)
- [Logic Reference Guide](#) (SCYB004, 1032 KB - Updated: 10/23/2001)
- [MicroStar Junior BGA Design Summary](#) (SCET004, 167 KB - Updated: 07/28/2000)
- [Military Brief](#) (SGYN138, 803 KB - Updated: 10/10/2000)
- [Overview of IEEE Std 91-1984, Explanation of Logic Symbols Training Booklet \(Rev. A\)](#) (SDYZ001A, 138 KB - Updated: 07/01/1996)
- [Palladium Lead Finish User's Manual](#) (SDYV001, 2041 KB - Updated: 11/01/1996)
- [QML Class V Space Products Military Brief \(Rev. A\)](#) (SGZN001A, 257 KB - Updated: 10/07/2002)

**USER GUIDES**

[▲Back to Top](#)

- [LOGIC Pocket Data Book](#) (SCYD013, 4837 KB - Updated: 12/05/2002)

**PRICING/AVAILABILITY/PKG**

[▲Back to Top](#)

**DEVICE INFORMATION**

Updated Daily

ORDERABLE DEVICE	STATUS	PACKAGE TYPE   PINS	TEMP (°C)	DSCC NUMBER	PRODUCT CONTENT	BUDGETARY PRICING QTY   \$US	STD PACK QTY
84001022A	ACTIVE	<a href="#">LCCC (FK)</a>   20	-55 TO 125		<a href="#">View Contents</a>	1KU   10.65	1
8400102RA	ACTIVE	<a href="#">CDIP (J)</a>   20	-55 TO 125		<a href="#">View Contents</a>	1KU   5.72	1
SN54ALS576BJ	ACTIVE	<a href="#">CDIP (J)</a>   20	-55 TO 125		<a href="#">View Contents</a>	1KU   4.86	1
SNJ54ALS576BFK	ACTIVE	<a href="#">LCCC (FK)</a>   20	-55 TO 125	84001022A	<a href="#">View Contents</a>	1KU   10.65	1
SNJ54ALS576BJ	ACTIVE	<a href="#">CDIP (J)</a>   20	-55 TO 125	8400102RA	<a href="#">View Contents</a>	1KU   5.72	1
SNJ54ALS576BW	ACTIVE	<a href="#">CFP (W)</a>   20	-55 TO 125		<a href="#">View Contents</a>	1KU   10.01	1

**TI INVENTORY STATUS**

As Of 09:00 AM GMT, 17 Apr 2003

IN STOCK	IN PROGRESS QTY   DATE	LEAD TIME
<a href="#">58*</a>	3856   20 May	8 WKS
	> 10k   27 May	
<a href="#">235*</a>	> 10k   20 May	8 WKS
<a href="#">45*</a>	> 10k   20 May	8 WKS
<a href="#">44*</a>	3757   20 May	8 WKS
	> 10k   27 May	
<a href="#">163*</a>	> 10k   20 May	8 WKS
<a href="#">0*</a>	> 10k   20 May	8 WKS

**REPORTED DISTRIBUTOR INVENTORY**

As Of 09:00 AM GMT, 17 Apr 2003

DISTRIBUTOR COMPANY   REGION	IN STOCK	PURCHASE
None Reported <a href="#">View Distributors</a>		
<a href="#">Avnet</a>   Americas	43	<a href="#">BUY NOW</a>
<a href="#">Avnet</a>   Americas	456	<a href="#">BUY NOW</a>
None Reported <a href="#">View Distributors</a>		
None Reported <a href="#">View Distributors</a>		
None Reported <a href="#">View Distributors</a>		

**Table Data Updated on: 4/17/2003**



[Products](#) | [Applications](#) | [Support](#) | [my.TI](#)

© Copyright 1995-2002 Texas Instruments Incorporated. All rights reserved.

[Trademarks](#) | [Privacy Policy](#) | [Terms of Use](#)