

SPEED/PACKAGE AVAILABILITY

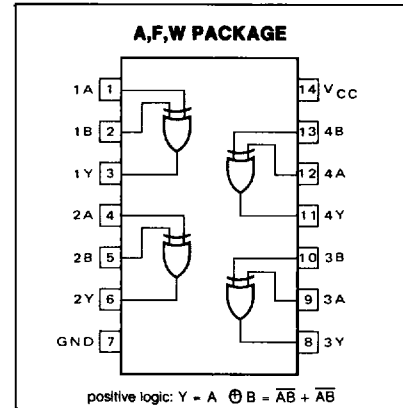
54	F,W	74	A,F
54LS	F,W	74LS	A,F
54S	F,W	74S	A,F

FUNCTION TABLE

INPUTS		OUTPUT
A	B	Y
L	L	L
L	H	H
H	L	H
H	H	L

H = high level, L = low level

PIN CONFIGURATION



SWITCHING CHARACTERISTICS $V_{CC} = 5V, T_A = 25^\circ C$

TEST CONDITIONS			54/74			54/74LS			54/74S			UNIT
			$C_L = 15pF$ $R_L = 400\Omega$			$C_L = 15pF$ $R_L = 2k$			$C_L = 15pF$ $R_L = 280$			
PARAMETER	FROM INPUT	TO OUTPUT	MIN	TYP	MAX	MIN	TYP	MAX	MIN	TYP	MAX	
Propagation delay time t_{PLH} Low-to-high	A or B	Other input low		15	23		12	23		7	10.5	ns
t_{PHL} High-to-low	A or B	Other input high		11	17		10	17		6.5	10	
t_{PLH} Low-to-high	Other input high			18	30		10	30		7	10.5	
t_{PHL} High-to-low				13	22		18	22		6.5	10	

Load circuit and typical waveforms are shown at the front of section.