



**QUICKSWITCH® PRODUCTS**  
**HIGH-SPEED CMOS**  
**10-BIT QUICKSWITCH WITH**  
**PRECHARGED OUTPUTS**

**IDTQS3800**

**FEATURES:**

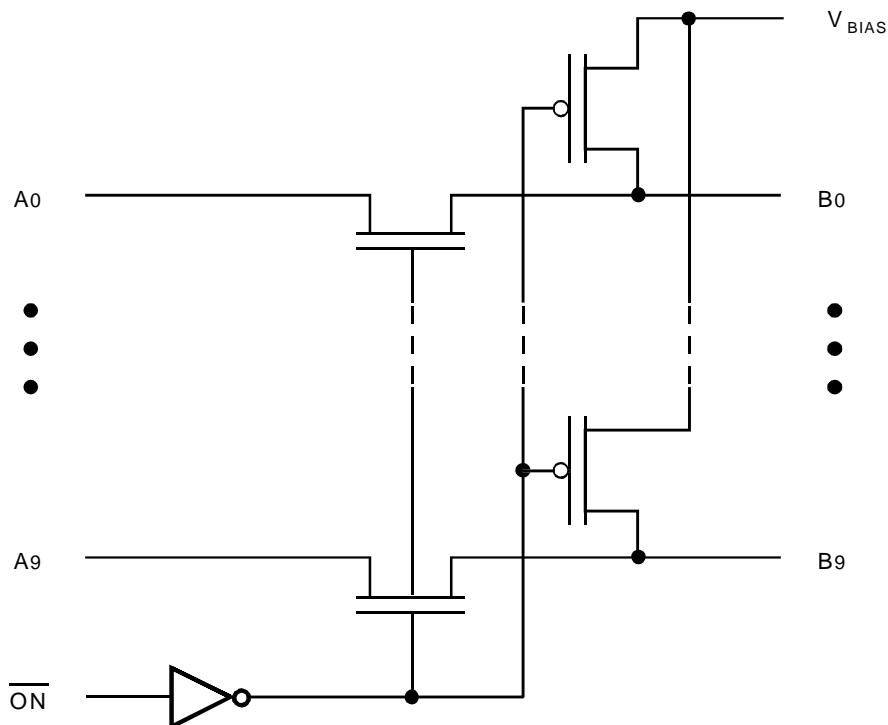
- 5Ω bidirectional switches connect inputs to outputs
- Zero propagation delay, zero ground bounce
- Undershoot clamp diodes on all switch and control inputs
- Outputs precharge voltage to minimize signal distortion during live insertion
- TTL-compatible input and output levels
- Available in QSOP, SOIC, and TSSOP Packages

**DESCRIPTION**

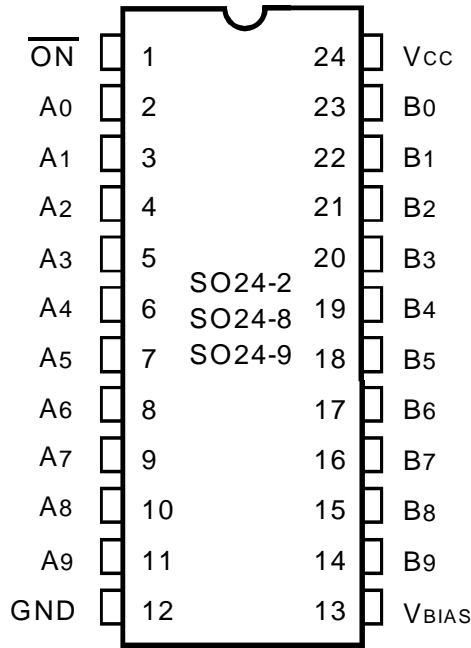
The QS3800 is a 10-bit high-speed CMOS bus switch controlled by a single enable ( $\overline{ON}$ ) input. When  $\overline{ON}$  is low, the switch is on and port A is connected to port B. When  $\overline{ON}$  is high, the switch between port A and port B is open and port B is precharged to the Bias voltage. The low ON resistance (5Ω) of the QS3800 allows inputs to be connected to outputs without adding propagation delay and without generating additional noise. The QS3800 also precharges the B port to a user-selectable bias voltage to minimize live-insertion noise which is useful in VME bus applications.

The QS3800 is characterized for operation at -40°C to +85°C.

**FUNCTIONAL BLOCK DIAGRAM**



## PIN CONFIGURATION



SOIC/ QSOP/ TSSOP  
TOP VIEW

## ABSOLUTE MAXIMUM RATINGS (1)

Symbol	Description	Max.	Unit
VTERM <sup>(2)</sup>	Supply Voltage to Ground	- 0.5 to +7	V
VBIAS	Bias Voltage Range	- 0.5 to Vcc	V
VTERM <sup>(3)</sup>	DC Input Voltage V <sub>IN</sub>	- 0.5 to Vcc + 0.5	V
VAC	AC Input Voltage (pulse width ≤20ns)	-3	V
IOUT	DC Output Current	120	mA
	Input Clamp Current	-50	mA
P <sub>MAX</sub>	Maximum Power Dissipation (T <sub>A</sub> = 85°C)	0.5	W
T <sub>STG</sub>	Storage Temperature	- 65 to +150	°C

### NOTES:

- Stresses greater than those listed under ABSOLUTE MAXIMUM RATINGS may cause permanent damage to the device. This is a stress rating only and functional operation of the device at these or any other conditions above those indicated in the operational sections of this specification is not implied. Exposure to absolute maximum rating conditions for extended periods may affect reliability.
- Vcc Terminals.
- All terminals except Vcc.

## CAPACITANCE

(T<sub>A</sub> = +25°C, f = 1.0MHz, V<sub>IN</sub> = 0V, V<sub>OUT</sub> = 0V)

Pins	Typ.	Max. (1)	Unit
Control Pins	3	5	pF
Quickswitch Channels (Switch OFF)	5	7	pF

### NOTE:

- This parameter is guaranteed but not production tested.

## PIN DESCRIPTION

Pin Names	I/O	Description
A0 - A9	I/O	Bus A
B0 - B9	I/O	Bus B
$\overline{\text{ON}}$	I	Bus Switch Enable
VBIAS	I	Bias Voltage

## FUNCTION TABLE (1)

$\overline{\text{ON}}$	B0 - B9	Function
L	A0 - A9	Connect
H	VBIAS	Disconnect

### NOTE:

- H = HIGH Voltage Level  
L = LOW Voltage Level

**DC ELECTRICAL CHARACTERISTICS OVER OPERATING RANGE**

Following Conditions Apply Unless Otherwise Specified:

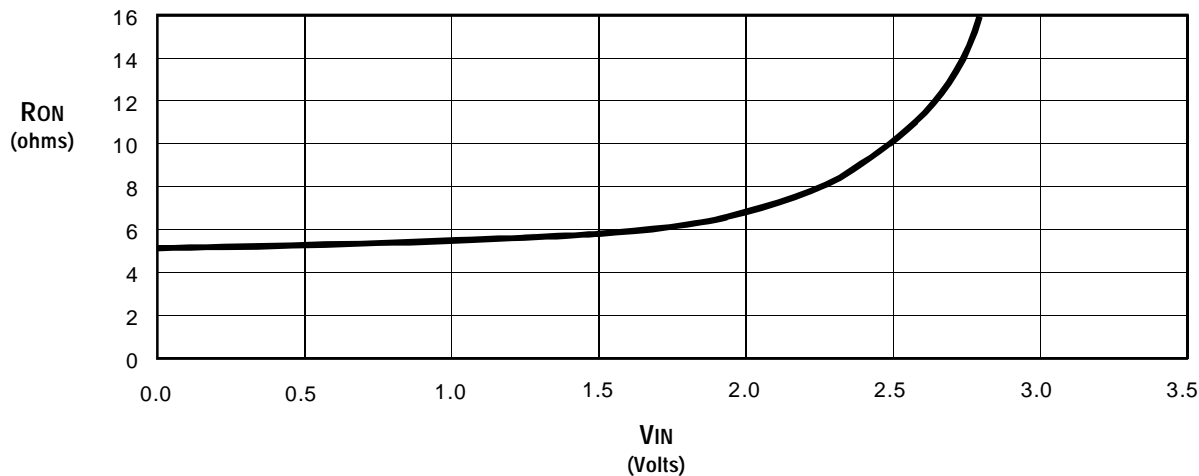
Industrial:  $T_A = -40^{\circ}\text{C}$  to  $+85^{\circ}\text{C}$ ,  $V_{CC} = 5.0\text{V} \pm 10\%$

Symbol	Parameter	Test Conditions	Min.	Typ. <sup>(1)</sup>	Max.	Unit
$V_{IH}$	Input HIGH Voltage	Guaranteed Logic HIGH for Control Pins	2	—	—	V
$V_{IL}$	Input LOW Voltage	Guaranteed Logic LOW for Control Pins	—	—	0.8	V
$V_{BIAS}$	Bias Voltage	$V_{CC} = 5\text{V}$	1.3	—	$V_{CC}$	V
$I_O$	Bias Current	$V_{CC} = 4.5\text{V}$ , $V_{BIAS} = 2.4\text{V}$ , $V_O = 0$ , $\overline{ON} = \text{HIGH}$	0.25	—	—	mA
$I_{IN}$	Input Leakage Current (Control Inputs)	$0\text{V} \leq V_{IN} \leq V_{CC}$	—	—	$\pm 1$	$\mu\text{A}$
$I_{OZ}$	Off-State Current (Hi-Z)	$0\text{V} \leq V_{OUT} \leq V_{CC}$	—	—	$\pm 1$	$\mu\text{A}$
$R_{ON}$	Switch ON Resistance	$V_{CC} = \text{Min.}$ , $V_{IN} = 0\text{V}$ , $I_{ON} = 30\text{mA}$	—	5	7	$\Omega$
$R_{ON}$	Switch ON Resistance	$V_{CC} = \text{Min.}$ , $V_{IN} = 2.4\text{V}$ , $I_{ON} = 15\text{mA}$	—	10	15	$\Omega$

**NOTE:**

1. Typical values are at  $V_{CC} = 5.0\text{V}$ ,  $T_A = 25^{\circ}\text{C}$ .

**TYPICAL ON RESISTANCE vs  $V_{IN}$  AT  $V_{CC} = 5\text{V}$**



## POWER SUPPLY CHARACTERISTICS

Symbol	Parameter	Test Conditions <sup>(1)</sup>	Typ. <sup>(2)</sup>	Max.	Unit
I <sub>CCQ</sub>	Quiescent Power Supply Current	V <sub>CC</sub> = Max., V <sub>IN</sub> = GND or V <sub>CC</sub> , f = 0	0.2	3	μA
ΔI <sub>CC</sub>	Power Supply Current per Control Input HIGH	V <sub>CC</sub> = Max., V <sub>IN</sub> = 3.4V <sup>(3)</sup> , f = 0	—	2.5	mA
I <sub>CCD</sub>	Dynamic Power Supply Current per MHz <sup>(4)</sup>	V <sub>CC</sub> = Max., A and B pins open, Data Inputs = GND Control Inputs Toggling at 50% Duty Cycle	—	0.25	mA/MHz

### NOTES:

- For conditions shown as Min. or Max., use the appropriate values specified under DC Electrical Characteristics.
- Typical values are at V<sub>CC</sub> = 5.0V, 25°C ambient.
- Per TLL driven input (V<sub>IN</sub> = 3.4V, control inputs only). A and B pins do not contribute to ΔI<sub>CC</sub>.
- This current applies to the control inputs only and represents the current required to switch internal capacitance at the specified frequency. The A and B inputs generate no significant AC or DC currents as they transition. This parameter is guaranteed but not production tested.

## SWITCHING CHARACTERISTICS OVER OPERATING RANGE

T<sub>A</sub> = -40°C to +85°C, V<sub>CC</sub> = 5.0V ± 10%

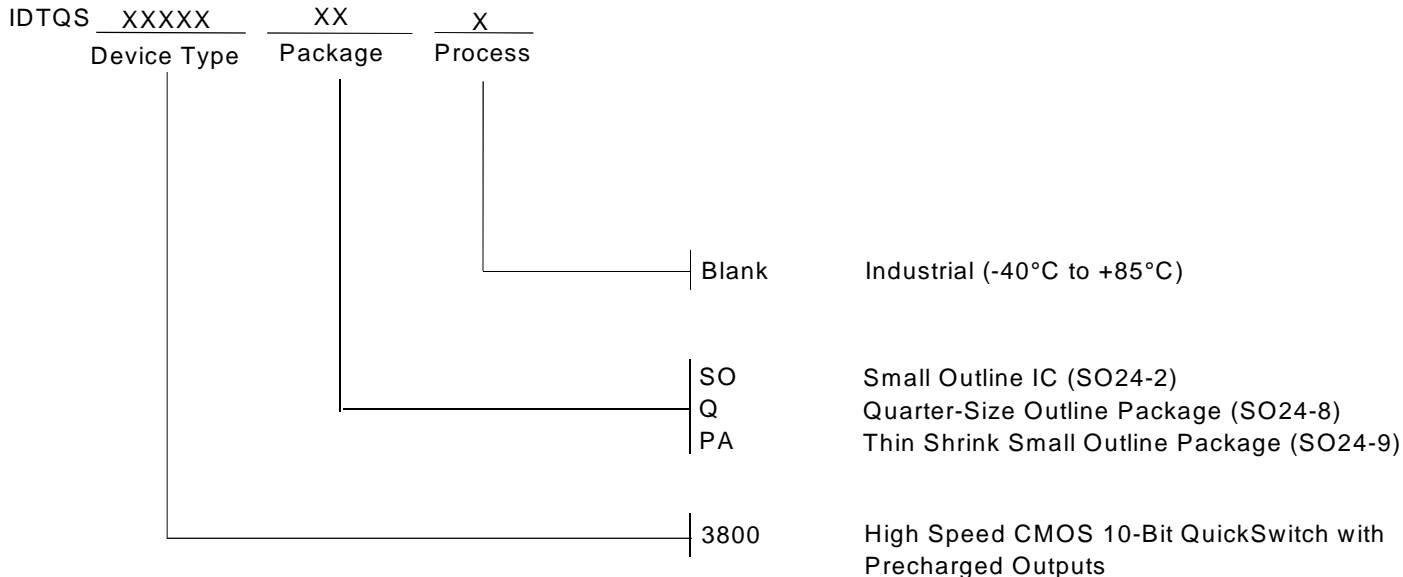
C<sub>LOAD</sub> = 50pF, R<sub>LOAD</sub> = 500Ω unless otherwise noted.

Symbol	Parameter	Test Conditions	Min. <sup>(1)</sup>	Typ.	Max.	Unit
t <sub>PLH</sub> t <sub>PHL</sub>	Data Propagation Delay <sup>(1,2)</sup> A to B or B to A		—	0.25	—	ns
t <sub>PZL</sub> t <sub>PZH</sub>	Switch Turn-on Delay ON to A or B	V <sub>BIAS</sub> = 3V, V <sub>BIAS</sub> = GND	1.5	—	7.5	ns
t <sub>PLZ</sub> t <sub>PHZ</sub>	Switch Turn-off Delay <sup>(1)</sup> ON to A or B	V <sub>BIAS</sub> = 3V, V <sub>BIAS</sub> = GND	1.5	—	6.5	ns

### NOTES:

- This parameter is guaranteed but not production tested.
- The bus switch contributes no propagation delay other than the RC delay of the ON resistance of the switch and the load capacitance. The time constant for the switch alone is of the order of 0.25ns for C<sub>L</sub> = 50pF. Since this time constant is much smaller than the rise and fall times of typical driving signals, it adds very little propagation delay to the system. Propagation delay of the bus switch, when used in a system, is determined by the driving circuit on the driving side of the switch and its interaction with the load on the driven side.

## ORDERING INFORMATION



**CORPORATE HEADQUARTERS**  
2975 Stender Way  
Santa Clara, CA 95054

**for SALES:**  
800-345-7015 or 408-727-6116  
fax: 408-492-8674  
[www.idt.com](http://www.idt.com)\*

\*To search for sales office near you, please click the sales button found on our home page or dial the 800# above and press 2.  
The IDT logo, QuickSwitch, and SynchroSwitch are registered trademarks of Integrated Device Technology, Inc.