

OVERVIEW

The SM8613AV is a portable CD player laser diode (LD) driver IC. Conventional portable CD players use a fixed-current LD drive method, but this increases the power dissipation and limits battery life. The SM8613AV employs an intermittent LD driver duty operation to reduce the laser power dissipation, which greatly reduces the current consumption when reading data and extends battery driver life.

FEATURES

- 2.3V low-voltage supply operation
- Intermittent-duty laser driver built-in (4-times speed read, 38MHz max. intermittent output)
- Laser switching frequency range: 8.6 to 38MHz
- Fixed-current drive/intermittent-duty drive switch function
- Intermittent current duty ratio adjust function
- Automatic power control (APC) function using luminosity-monitoring photodiode (PD)
- Low power dissipation
- Package: 16-pin VSOP (lead-free)

APPLICATIONS

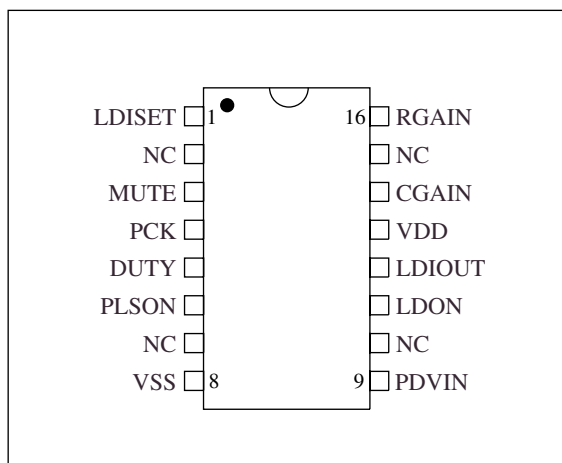
- Portable CD player

ORDERING INFORMATION

Device	Package
SM8613AV	16-pin VSOP

PINOUT

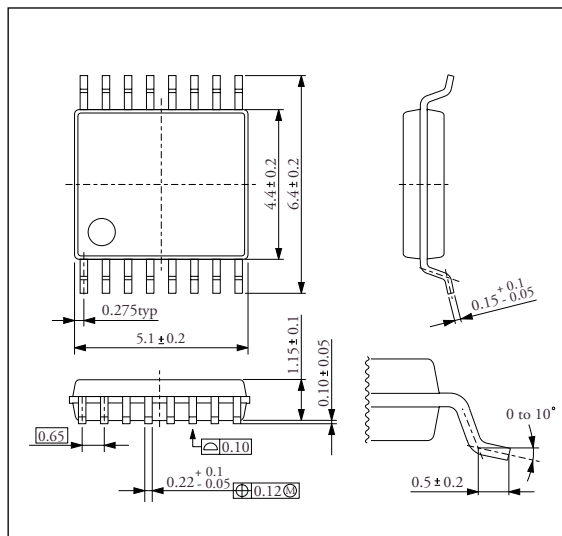
(Top view)



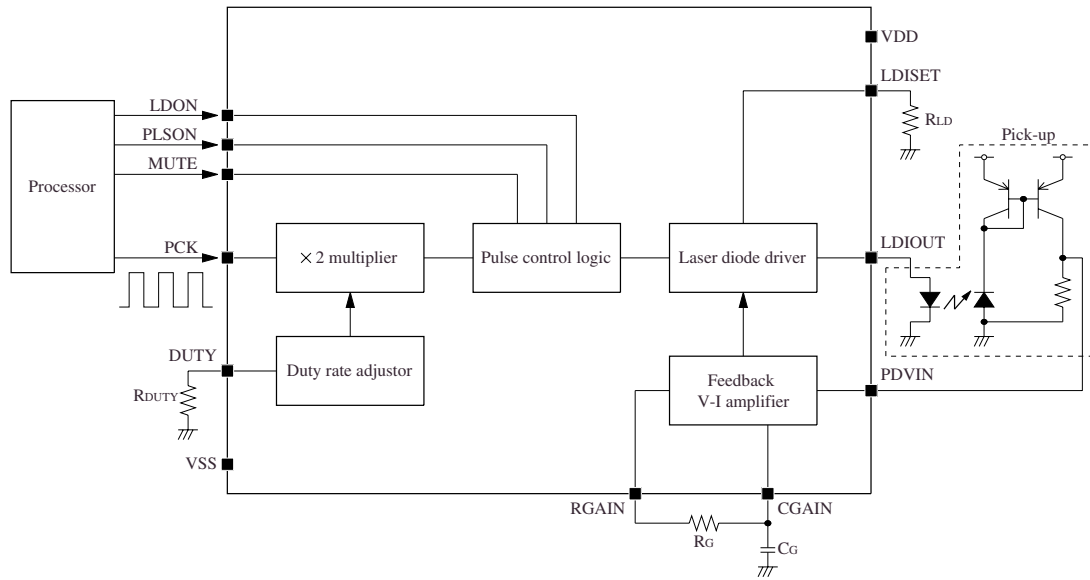
PACKAGE DIMENSIONS

(Unit: mm)

Weight: 0.07g



BLOCK DIAGRAM



PIN DESCRIPTION

Number	Name	i/o	Description						
1	LDISET	o	LD drive maximum current setting resistor connection						
2	NC	–	No connection (must be open)						
3	MUTE	ip	Intermittent-drive stop signal <table border="1" data-bbox="539 479 1299 609"> <thead> <tr> <th>MUTE</th> <th>Laser drive state</th> </tr> </thead> <tbody> <tr> <td>L</td> <td>LD intermittent drive control (PLSON = H)</td> </tr> <tr> <td>H</td> <td>LD constant-current drive</td> </tr> </tbody> </table>	MUTE	Laser drive state	L	LD intermittent drive control (PLSON = H)	H	LD constant-current drive
MUTE	Laser drive state								
L	LD intermittent drive control (PLSON = H)								
H	LD constant-current drive								
4	PCK	i	Intermittent control reference pulse input						
5	DUTY	o	Intermittent-duty ratio adjust resistor connection						
6	PLSON	ip	Intermittent-drive control signal <table border="1" data-bbox="539 766 1299 896"> <thead> <tr> <th>PLSON</th> <th>Laser drive state</th> </tr> </thead> <tbody> <tr> <td>L</td> <td>LD constant-current drive</td> </tr> <tr> <td>H</td> <td>LD intermittent drive control</td> </tr> </tbody> </table>	PLSON	Laser drive state	L	LD constant-current drive	H	LD intermittent drive control
PLSON	Laser drive state								
L	LD constant-current drive								
H	LD intermittent drive control								
7	NC	–	No connection (must be open)						
8	VSS	–	Ground (0V DC)						
9	PDVIN	i	Laser luminosity monitor voltage input						
10	NC	–	No connection (must be open)						
11	LDON	ip	LD drive current control signal <table border="1" data-bbox="539 1137 1299 1267"> <thead> <tr> <th>LDON</th> <th>Laser drive state</th> </tr> </thead> <tbody> <tr> <td>L</td> <td>LD drive stop control (sleep mode)</td> </tr> <tr> <td>H</td> <td>LD drive ON</td> </tr> </tbody> </table>	LDON	Laser drive state	L	LD drive stop control (sleep mode)	H	LD drive ON
LDON	Laser drive state								
L	LD drive stop control (sleep mode)								
H	LD drive ON								
12	LDIOUT	o	LD drive current output						
13	VDD	–	Supply voltage (2.5V DC)						
14	CGAIN	o	APC frequency response control capacitor connection						
15	NC	–	No connection (must be open)						
16	RGAIN	o	APC loop gain control resistor connection						

ip: Built-in pull-down resistor

SPECIFICATIONS

Absolute Maximum Ratings

Parameter	Symbol	Rating	Unit
Supply voltage	V_{DD}	- 0.5 to 7.0	V
Input voltage	V_{IN}	- 0.5 to $V_{DD} + 0.5$	V
Input current	I_{IN}	- 3.0 to + 3.0	mA
Operating temperature	T_{OPR}	- 20 to 70	°C
Storage temperature	T_{STG}	- 40 to 125	°C
Power dissipation	P_W	96	mW

DC Electrical Characteristics

$V_{DD} = 2.5V$, $T_a = +25\text{ °C}$ unless otherwise noted

Parameter	Symbol	Condition	Rating			Unit	Test level
			min	typ	max		
Guaranteed operating supply voltage	V_{DD}		2.3	2.5	3.3	V	I
Current consumption	I_{DD1}	PDVIN-LDIOOUT short, $R_{LDIOOUT} = 4\Omega$, LDON = HIGH, Excluding LDIOOUT current	1.0	1.7	2.3	mA	I
	I_{DD2}	LDON = LOW	-	-	30	μA	I

Input Specifications

$V_{DD} = 2.5V$, $T_a = +25\text{ °C}$ unless otherwise noted

Parameter	Symbol	Condition	Rating			Unit	Test level
			min	typ	max		
PCK HIGH-level voltage	V_{IHCK}		$V_{DD} \times 0.7$	-	-	V	I
PCK LOW-level voltage	V_{ILCK}		-	-	$V_{DD} \times 0.3$	V	I
PCK HIGH-level sink current	I_{HPCK}		-	-	20	μA	I
LDON HIGH-level voltage	V_{IHLDON}		$V_{DD} \times 0.7$	-	-	V	I
LDON LOW-level voltage	V_{ILLDON}		-	-	$V_{DD} \times 0.3$	V	I
LDON HIGH-level sink current	I_{HLDON}		-	-	20	μA	I
PLSON HIGH-level voltage	$V_{IHPLSON}$		$V_{DD} \times 0.7$	-	-	V	I
PLSON LOW-level voltage	$V_{ILPLSON}$		-	-	$V_{DD} \times 0.3$	V	I
PLSON HIGH-level sink current	I_{HPLSON}		-	-	20	μA	I
MUTE HIGH-level voltage	V_{IHMUTE}		$V_{DD} \times 0.7$	-	-	V	I
MUTE LOW-level voltage	V_{ILMUTE}		-	-	$V_{DD} \times 0.3$	V	I
MUTE HIGH-level sink current	I_{HMUTE}		-	-	20	μA	I

Electrical Characteristics

$V_{DD} = 2.5V$, $T_a = +25\text{ }^\circ\text{C}$ unless otherwise noted

Parameter	Symbol	Condition	Rating			Unit	Test level
			min	typ	max		
PCK minimum input frequency	f_{PCKMIN}		–	–	4.3	MHz	I
PCK maximum input frequency	f_{PCKMAX}		19	–	–	MHz	I
Intermittent current output frequency range	f_{LD}		8.6	–	38	MHz	I
LDON response time	t_{LDON}	LDON = LOW to HIGH, I(LDIOU) to 90%, $C_G = 6800pF$	–	–	110	μs	II
PLSON, MUTE response time 1	t_{PLSON1}	PLSON = LOW to HIGH (MUTE: LOW), MUTE = HIGH to LOW (PLSON: HIGH), until the duty ratio stabilizes	–	–	20	μs	II
PLSON, MUTE response time 2	t_{PLSON2}	PLSON = HIGH to LOW (MUTE: LOW), MUTE = LOW to HIGH (PLSON: HIGH)	–	–	25	ns	II
LDIOU maximum output current	I_{LDMAX}	PDVIN = 0V	40	–	–	mA	I
LDIOU intermittent current rise time	t_{LDIR}		–	–	10	ns	II
LDIOU intermittent current fall time	t_{LDIF}		–	–	10	ns	II
LDISET voltage	V_{LDISET}	$1/3V_{DD}$	0.75	0.83	0.92	V	I
PDVIN convergence voltage	V_{PDVIN}	$R_G = 33k\Omega$, $V_{DD} = 2.5V$, PDVIN–LDIOU short, $R_{LDIOU} = 20\Omega$	145	160	175	mV	I
PDVIN input impedance	Z_{PDVIN}		1	–	–	$M\Omega$	II
APC loop cutoff frequency	f_{APC}	$C_G = 6800pF$	–	25	100	kHz	I
Minimum duty ratio	DR_{MIN}	PCK = 4.3MHz, $R_{DUTY} = 15k\Omega$	20	–	40	%	I
Maximum duty ratio	DR_{MAX}	PCK = 4.3MHz, $R_{DUTY} = 5k\Omega$	55	–	85	%	I
Minimum LD current ON time	t_{LDION}		–	14	–	ns	II

Note 1) LDON has internal pull-down resistor.

Note 2) PLSON has internal pull-down resistor.

Note 3) MUTE has internal pull-down resistor.

Note 4) LDISET is in high-impedance state when LDON is HIGH.

Note 5) DUTY is in high-impedance state when LDON is HIGH.

Test level description

Test level I	100% of devices tested at +25°C
Test level II	Specifications guaranteed according to design and evaluation tests.

FUNCTIONAL DESCRIPTION

LD Driver Control

The LD is controlled by the 3 logic-level signals on LDON, PLSON, and MUTE. When LDON is HIGH, the LD is in drive mode and the drive current is output on LDIOOUT. When LDON is LOW (sleep mode), the LD drive mode stops (LDIOOUT output current = 0mA).

Also when LDON is HIGH, LD intermittent drive mode operation occurs when PLSON is HIGH and MUTE is LOW.

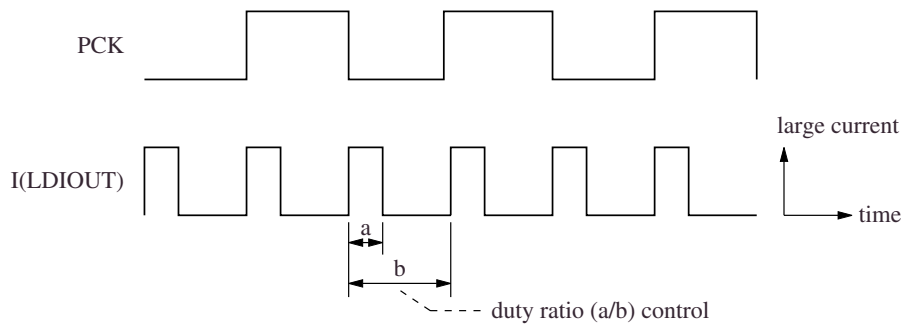
Table 1. Control signals and laser drive states

LDON	PLSON	MUTE	Laser drive state
H	L	L	LDIOOUT constant-current output
H	L	H	LDIOOUT constant-current output
H	H	L	LDIOOUT intermittent current output
H	H	H	LDIOOUT constant-current output
L	×	×	LDIOOUT = 0mA (sleep mode)

Note) × : Don't care.

Frequency Multiplier Function and LD Drive Current Duty Ratio Setting

The SM8613AV multiplies the PCK input frequency by 2, which is then used as the intermittent-drive reference frequency. The intermittent drive LD current ON time is shown in the following figure.



The intermittent current output from LDIOOUT is automatically adjusted as the frequency changes to maintain the duty ratio almost constant. The intermittent current duty ratio is set by resistor R_{DUTY} connected between DUTY and VSS pins, and is given by the following equation.

$$dutyratio = \left(1 - \frac{\frac{3}{2}V(DUTY)}{\frac{1}{2}VDD} \right) \times 100 = \frac{44[k\Omega] - 2 \times R_{DUTY}}{R_{DUTY} + 44[k\Omega]} \times 100 [\%]$$

$$V(DUTY) = \frac{R_{DUTY}}{R_{DUTY} + 44[k\Omega]} \times VDD [V]$$

R_{DUTY} : resistor connected to DUTY pin [kΩ]

Laser Diode Drive Current Mid-value Set Function

The laser diode drive current mid-value can be adjusted by changing the resistance R_{LD} connected between the LDISET and VSS pins. The laser diode drive current mid-value reference value I_{LDO} , given by the following equation, is set to the LDIOOUT output current when the PDVIN voltage is in balance state (147 to 193mV). Note that the actual LDIOOUT current may change due to feedback gain, and laser diode/photo diode tolerance variations.

If R_G is not connected, the output current has no relationship to the reference current value, but is determined by the PDVIN convergence voltage.

$$I_{LDO} = I_{LDSET} \times 120 = \frac{40V_{DD}}{R_{LD}} \text{ [A]}$$

R_{LD} : LDISET connected resistor [Ω]

APC Loop Gain Setting

The APC loop gain can be adjusted using an external resistor R_G . The gain set resistor, R_G , is connected between RGAIN and CGAIN. The PDVIN voltage to laser drive current open-loop gain is given approximately by the following equation.

$$G_{mPDVIN} = 1.15 \times 10^{-4} R_G \text{ [S]}$$

Δ LDIOOUT current / Δ PDVIN voltage ratio [S]
 R_G : RGAIN–CGAIN resistor [Ω]

If the external resistor R_G is removed, the maximum gain $G_m = 26$ [S] is selected.

APC Loop Cutoff Frequency Setting

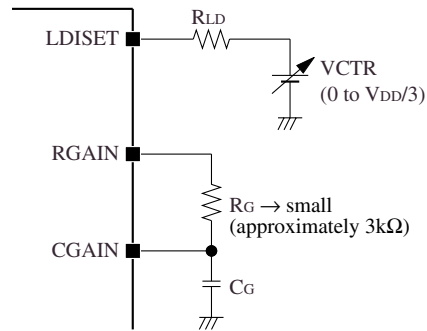
The APC loop cutoff frequency f_{APC} is determined by the capacitor C_G connected between CGAIN and VSS pins. The same result occurs if C_G is connected between RGAIN and CGAIN pins.

$$f_{APC} = \frac{1}{2\pi 950 C_G} \text{ [Hz]}$$

Laser APC Convergence Current External Signal Adjustment

The LD convergence current is determined by the internal bias voltage. However, if the APC loop gain resistor R_G is small, the convergence current can be adjusted externally.

The convergence current is adjusted by the LDISET current, shown in the figure below. With VCTR in the range 0 to $1/3V_{DD}$, the LDISET current decreases with increasing VCTR, and the laser convergence current center point also decreases in response.



NIPPON PRECISION CIRCUITS INC. reserves the right to make changes to the products described in this data sheet in order to improve the design or performance and to supply the best possible products. Nippon Precision Circuits Inc. assumes no responsibility for the use of any circuits shown in this data sheet, conveys no license under any patent or other rights, and makes no claim that the circuits are free from patent infringement. Applications for any devices shown in this data sheet are for illustration only and Nippon Precision Circuits Inc. makes no claim or warranty that such applications will be suitable for the use specified without further testing or modification. The products described in this data sheet are not intended to use for the apparatus which influence human lives due to the failure or malfunction of the products. Customers are requested to comply with applicable laws and regulations in effect now and hereinafter, including compliance with export controls on the distribution or dissemination of the products. Customers shall not export, directly or indirectly, any products without first obtaining required licenses and approvals from appropriate government agencies.

NPC
NIPPON PRECISION CIRCUITS INC.

NIPPON PRECISION CIRCUITS INC.

4-3, Fukuzumi 2-chome, Koto-ku,
Tokyo 135-8430, Japan
Telephone: +81-3-3642-6661
Facsimile: +81-3-3642-6698
<http://www.npc.co.jp/>
Email: sales@npc.co.jp