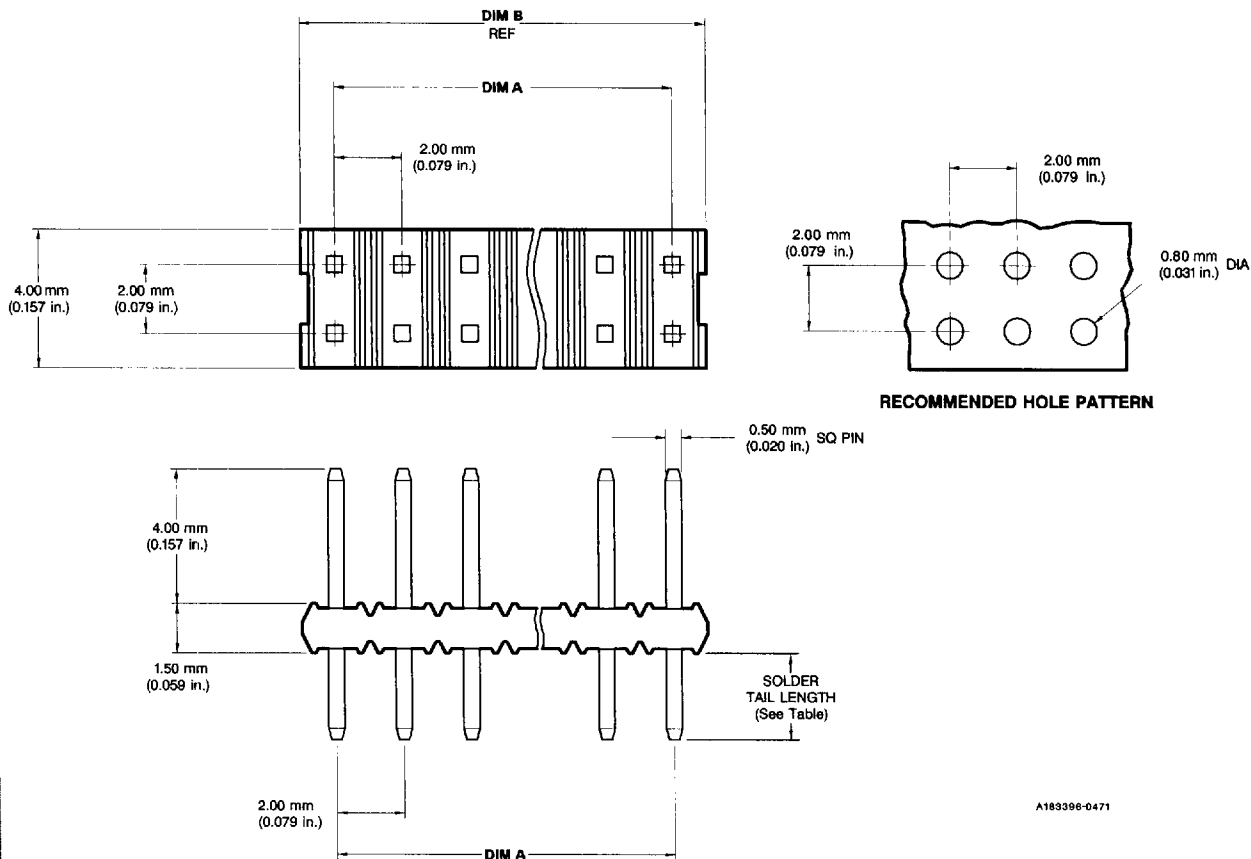


Description Vertical Through-Mount Header



A183396-0471



Ordering Data Vertical Through-Mount Headers

Base number specifies configuration, plating type, solder tail length, and housing material.

Dash number specifies plating option (X) and number of positions (YY).



Base Number	Plating Type	Mating Pin Length		Solder Tail Length		Housing Material	Housing Color
		mm	in.	mm	in.		
86452	full	4.00	0.157	0.76	0.030	Glass-filled Nylon	Black
87176	full	4.00	0.157	0.76	0.030	Glass-filled PCT	Cream
94269	full	4.00	0.157	2.50	0.098	Glass-filled PCT	Black
86451	full	4.00	0.157	3.00	0.118	Glass-filled Nylon	Black
87131	full	4.00	0.157	3.00	0.118	Glass-filled PCT	Cream
94265	full	2.00	0.079	2.00	0.079	Glass-filled PCT	Black
94254	duplex	4.00	0.157	2.50	0.098	Glass-filled PCT	Black

Plating Options for Fully-Plated Pins	
Dash No. (X)	Plating
0	0.20 μ m (8 μ in) gold
1	0.76 μ m (30 μ in) gold
5	0.38 μ m (15 μ in) GXT™

Plating Options for Duplex-Plated Pins	
Dash No. (X)	Plating
3	0.38 μ m (15 μ in) gold
5	0.38 μ m (15 μ in) GXT™
6	0.76 μ m (30 μ in) GXT™

Unshrouded Headers
2.00 x 2.00 mm (0.079 x 0.079 in.)

Ordering Data (cont'd)

No. of Positions	Dash Number	Dash Number			
		Dimension A		Dimension B	
		mm	in.	mm	in.
2 x 2	X04	2.00	0.079	4.00	0.157
2 x 3	X06	4.00	0.157	6.00	0.236
2 x 4	X08	6.00	0.236	8.00	0.315
2 x 5	X10	8.00	0.315	10.00	0.394
2 x 6	X12	10.00	0.394	12.00	0.472
2 x 7	X14	12.00	0.472	14.00	0.551
2 x 8	X16	14.00	0.551	16.00	0.630
2 x 9	X18	16.00	0.630	18.00	0.709
2 x 10	X20	18.00	0.709	20.00	0.787
2 x 11	X22	20.00	0.787	22.00	0.866
2 x 12	X24	22.00	0.866	24.00	0.945
2 x 13	X26	24.00	0.945	26.00	1.024
2 x 14	X28	26.00	1.024	28.00	1.102
2 x 15	X30	28.00	1.102	30.00	1.181
2 x 16	X32	30.00	1.181	32.00	1.260
2 x 17	X34	32.00	1.260	34.00	1.339
2 x 18	X36	34.00	1.339	36.00	1.417
2 x 19	X38	36.00	1.417	38.00	1.496
2 x 20	X40	38.00	1.496	40.00	1.575
2 x 21	X42	40.00	1.575	42.00	1.654
2 x 22	X44	42.00	1.654	44.00	1.732
2 x 23	X46	44.00	1.732	46.00	1.811
2 x 24	X48	46.00	1.811	48.00	1.890
2 x 25	X50	48.00	1.890	50.00	1.969

Pin length and polarization may be customized to suit individual applications.

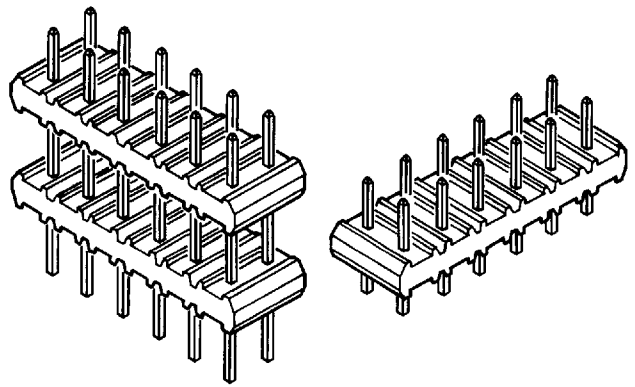
Ordering data shown is for our standard product offering. For non-standard or custom products, contact your authorized Berg Electronics representative.

Unshrouded Headers

2.00 x 2.00 mm (0.079 x 0.079 in.)

Centerlines

Minitek™ Vertical Through-Mount Headers



Features

- Double row: 2 x 2 through 2 x 25 positions.
- Standard solder tail lengths for up to 0.093 in. PCB thicknesses.
- Short solder tail length for flexible circuitry applications.
- Straight header utilizes a 1.5 mm (0.059 in.) low-profile body.
- 2.0 mm (0.079 in.) mating length available for use with top-entry vertical board-mounted receptacles ≤ 4.00 mm tall
- Standoffs for easy PCB cleaning.
- 0.50 mm (0.020 in.) square drawn wire pin provides four smooth mating surfaces.
- Stacking and high-body headers for wider board-to-board spacing in parallel board stacking applications.

Options

- High-temperature plastic for vapor-phase or IR soldering.
- Polarization by omitting pins.
- Variable mating pin and solder tail lengths.
- Retentive leg solder tails hold header firmly in place during soldering process.


Mating Data


Berg Electronics Products	Page
▪ Minitek™ board-mounted receptacles	9-26 to 9-37
▪ Minitek™ shunt	9-24
▪ Minitek™ crimp-to-wire receptacle and housing assembly	9-43 to 9-46
▪ Minitek™ 2.00 mm (0.079 in.) IDC receptacle	9-48

Specifications

- JIS-5020
- MIL-STD-202

Approvals and Certifications

 File no. E66906

 File no. LR46923

Technical Data

Materials

- Standard housing Glass-filled nylon (UL 94 V-0)
 - ▶ Color Black
 - ▶ Applicable soldering processes wave
- High-temperature housing Glass-filled PCT (UL 94 V-0)
 - ▶ Color Black or Cream
 - ▶ Applicable soldering processes. Wave, IR, vapor-phase
- Pin Phosphor-bronze

▶ Duplex plate pins

- Contact area 0.38 μm (15 μin) min gold or 0.38 μm (15 μin) min GXT™ or 0.76 μm (30 μin) min GXT™
- Solder area 3.80 μm (150 μin) min tin/lead

Operating Environment

- Temperature range Nylon: -40°C to +105°C
PCT: -55°C to +125°C

Electrical Performance

- Insulation resistance 1000 MΩ min
- Withstanding voltage 650 V rms
- Current rating 2 amp continuous
- Contact resistance 25 mΩ max
- Voltage rating 200 V ac/dc

Plating

- Underplate 1.27 μm (50 μin.) min nickel
- Finish
 - ▶ Fully-plated Pins 0.20 μm (8 μin.) min gold or 0.76 μm (30 μin.) min gold or 0.38 μm (15 μin.) min GXT™

Mechanical Performance

- Durability (mating cycles) 100

Packaging

- Bags

Customer Support Materials

Description	Order No.	Description	Order No.
Customer Product Drawings	By Part No.	Product Bulletin	950522-001
Product Samples	By Part No.	Product Specifications	DPS-12-011