

SPEED/PACKAGE AVAILABILITY

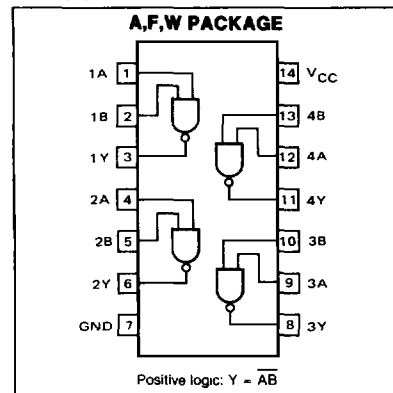
54	F,W	74	A,F
54LS	F,W	74LS	A,F
54S	F,W	74S	A,F

SWITCHING CHARACTERISTICS $V_{CC} = 5V, T_A = 25^\circ C$

TEST CONDITIONS	54/74			54/74LS			54/74S			UNIT
	MIN	TYP	MAX	MIN	TYP	MAX	MIN	TYP	MAX	
Propagation delay time t_{PLH} Low-to-high		14	22		20	32		6.5	10	ns
								$C_L = 50pF$ 9		
t_{PHL} High-to-low		11	18		18	28		6.5	10	ns
								$C_L = 50pF$ 8.5		

Load circuit and typical waveforms are shown at the front of section.

PIN CONFIGURATION



SPEED/PACKAGE AVAILABILITY

54	F	74	A,F
----	---	----	-----

SWITCHING CHARACTERISTICS $V_{CC} = 5V, T_A = 25^\circ C$

TEST CONDITIONS	54/74			UNIT
	MIN	TYP	MAX	
Propagation delay time t_{PLH} Low-to-high		14	22	ns
t_{PHL} High-to-low		11	18	ns

Load circuit and typical waveforms are shown at the front of section.

PIN CONFIGURATION

