

FAIRCHILD DIGITAL

ECL

ARITHMETIC OPERATORS

| Item | Function | DEVICE NO.* | No. of Input Bits | t _{pd} ns (Typ) | Power Dissipation mW (Typ) | Logic/Connection Diagram | Package(s) |
|------|-----------------------------|-------------|-------------------|-----------------------------|-------------------------------|-----------------------------|------------|
| 1 | Adder/Subtractor | 95H84 | 2x2 | 4 6 | 485 | E58 | 6B |
| 2 | Dual Adder/Subtractor | 10180/10580 | 2x2 | 2 2 | 340 | E62 | 4L,6B,9B |
| 3 | Carry Lookahead | 10179/10579 | 4x2 | 3 0 | 305 | E61 | 4L,6B,9B |
| 4 | Carry Lookahead | 100179 | 16 | 2 1 | 742 | E111 | 4Q,6Q |
| 5 | 4-Bit ALU | 10181/10581 | 4x2 | 6 0 | 600 | E95 | 4M,6N |
| 6 | 4-Bit Binary/Decimal ALU | 100181 | 4x2 | 4 5 | 765 | E107 | 4Q,6Q |
| 7 | 4-Bit Comparator | 9578 | 4x2 | 3 2 | 275 | E57 | 6B |
| 8 | 5-Bit Comparator | 95H55 | 5x2 | 6 0 | 440 | E56 | 6B |
| 9 | 5-Bit Comparator | 10166/10566 | 5x2 | 5 5 | 312 | E42 | 4L,6B,9B |
| 10 | 9-Bit Comparator | 100166 | 9 | — | — | E114 | 4Q,6Q |
| 11 | 8-Input Priority Encoder | 10165/10565 | 8 | 6 0 | 520 | E13 | 4L,6B,9B |
| 12 | Universal Priority Encoder | 100165 | 8 | 3 0 | 540 | E108 | 4Q,6Q |
| 13 | Dual 9-Bit Parity Generator | 100160 | 9x2 | 3 0 | 370 | E109 | 4Q,6Q |
| 14 | 11-Bit Parity Generator | 10170/10570 | 11 | 4 0 | 275 | E60 | 4L,6B |
| 15 | 12-Bit Parity Generator | 10160/10560 | 12 | 4 0 | 240 | E59 | 4L,6B,9B |
| 16 | 8-Bit Shift Matrix | 100158 | 8 | 2 2 | 630 | E102 | 4Q,6Q |

*105XX and 106XX = Military temperature range

CMOS

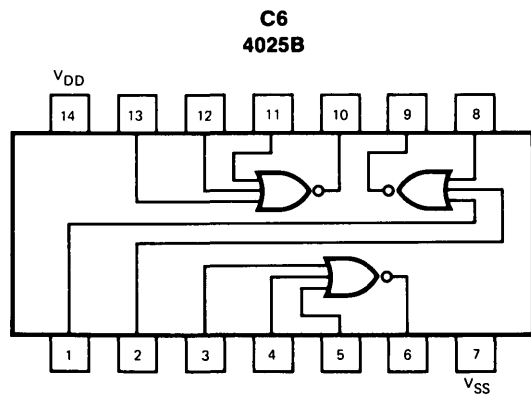
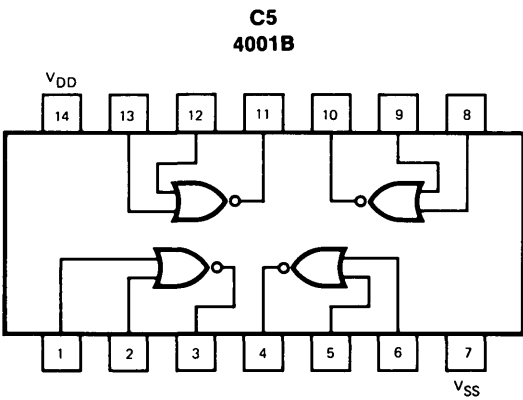
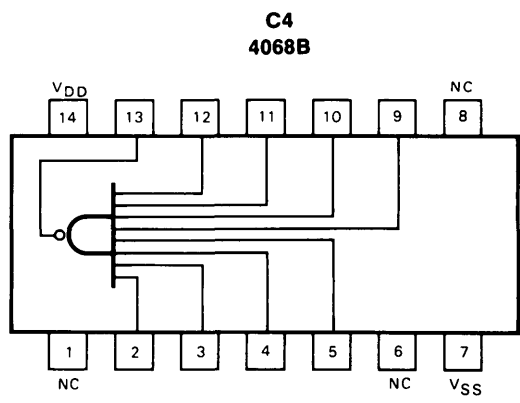
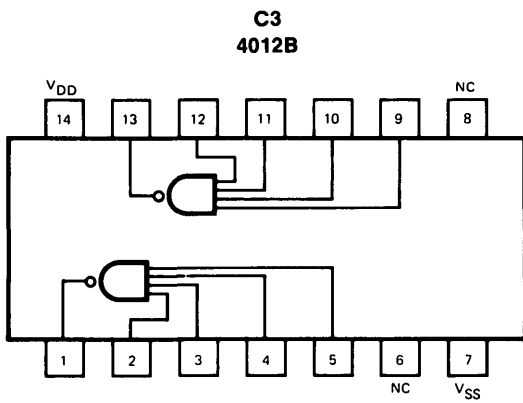
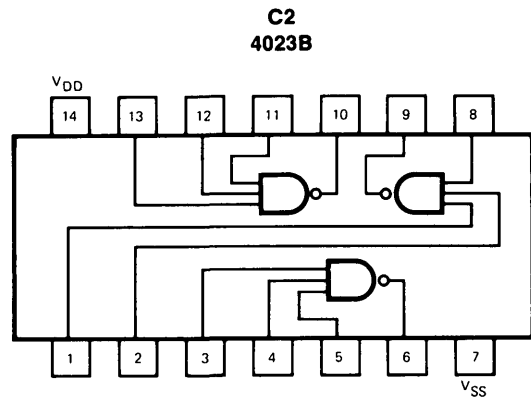
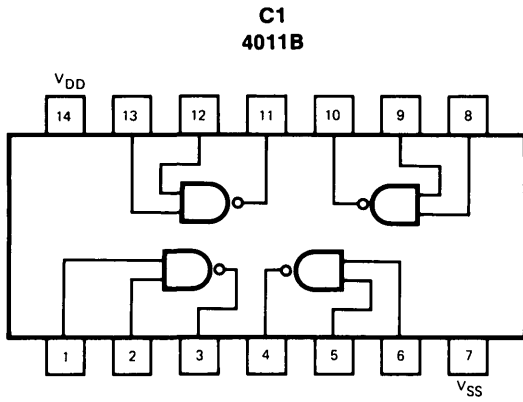
SSI FUNCTIONS

| Item | Function | DEVICE NO. | Logic/Connection Diagram | Package(s) |
|-------------------|---------------------|------------|-----------------------------|------------|
| NAND Gates | | | | |
| 17 | Quad 2-Input NAND | 4011B | C1 | 3I,6A,9A |
| 18 | Triple 3-Input NAND | 4023B | C2 | 3I,6A,9A |
| 19 | Dual 4-Input NAND | 4012B | C3 | 3I,6A,9A |
| 20 | 8-Input NAND | 4068B | C4 | 3I,6A,9A |

9

FAIRCHILD LOGIC/CONNECTION DIAGRAMS

DIGITAL-CMOS



NOTE The Flatpak versions have the same pinouts (Connection Diagram) as the Dual In-Line Packages