

# HD74ALVC2G125

Dual Bus Buffer with 3-state Output

## HITACHI

ADE-205-621 (Z)

Rev.0  
July, 2001

### Description

The HD74ALVC2G125 has dual bus buffer with 3-state output in a 8 pin package. Output is disabled when the associated output enable ( $\overline{OE}$ ) input is high. To ensure the high impedance state during power up or power down,  $\overline{OE}$  should be connected to  $V_{CC}$  through a pull-up resistor; the minimum value of the resistor is determined by the current sinking capability of the driver. Low voltage and high speed operation is suitable for the battery powered products (e.g., notebook computers), and the low power consumption extends the battery life.

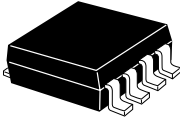
### Features

- The basic gate function is lined up as hitachi uni logic series.
- Supplied on emboss taping for high speed automatic mounting.
- Supply voltage range : 1.2 to 3.6 V  
Operating temperature range :  $-40$  to  $+85^{\circ}\text{C}$
- All inputs  $V_{IH}$  (Max.) = 3.6 V (@  $V_{CC} = 0$  V to 3.6 V)  
All outputs  $V_o$  (Max.) = 3.6 V (@  $V_{CC} = 0$  V)
- Output current  $\pm 2$  mA (@  $V_{CC} = 1.2$  V)  
 $\pm 4$  mA (@  $V_{CC} = 1.4$  V to 1.6 V)  
 $\pm 6$  mA (@  $V_{CC} = 1.65$  V to 1.95 V)  
 $\pm 18$  mA (@  $V_{CC} = 2.3$  V to 2.7 V)  
 $\pm 24$  mA (@  $V_{CC} = 3.0$  V to 3.6 V)
- Package type

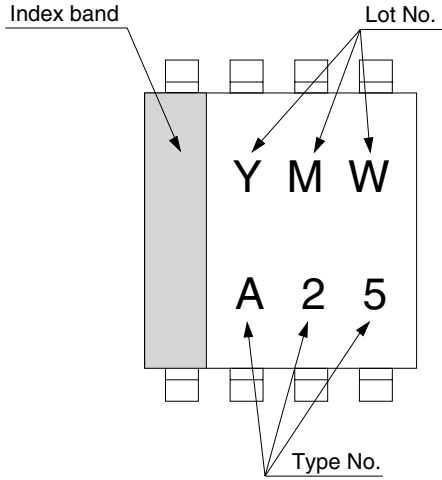
Package type	Package code	Package suffix	Taping code
SSOP-8 pin	TTP-8DB	US	E (3,000 pcs / Reel)

## Outline and Article Indication

- HD74ALVC2G125



SSOP-8



Y : Year code  
(the last digit of year)  
M : Month code  
W : Week code

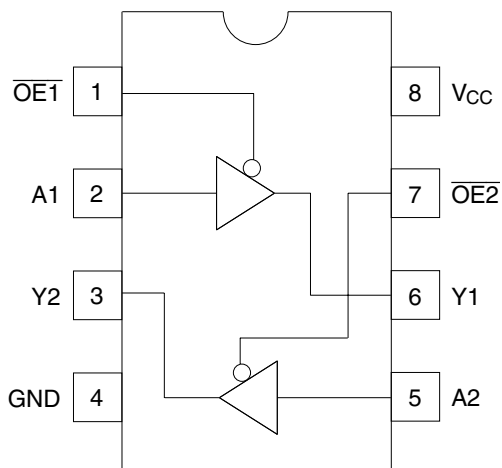
## Function Table

### Inputs

$\overline{OE}$	A	Output Y
L	H	H
L	L	L
H	X	Z

H: High level  
L: Low level  
X: Immaterial  
Z: High impedance

**Pin Arrangement**



(Top view)

**Absolute Maximum Ratings**

Item	Symbol	Ratings	Unit	Conditions
Supply voltage range	$V_{CC}$	-0.5 to 4.6	V	
Input voltage range <sup>1</sup>	$V_I$	-0.5 to 4.6	V	
Output voltage range <sup>1,2</sup>	$V_O$	-0.5 to $V_{CC}+0.5$ -0.5 to 4.6	V	Output : H or L or Z $V_{CC}$ : OFF
Input clamp current	$I_{IK}$	-50	mA	$V_I < 0$
Output clamp current	$I_{OK}$	$\pm 50$	mA	$V_O < 0$ or $V_O > V_{CC}$
Continuous output current	$I_O$	$\pm 50$	mA	$V_O = 0$ to $V_{CC}$
Continuous current through $V_{CC}$ or GND	$I_{CC}$ or $I_{GND}$	$\pm 100$	mA	
Maximum power dissipation at $T_a = 25^\circ\text{C}$ (in still air) <sup>3</sup>	$P_T$	200	mW	
Storage temperature	$T_{stg}$	-65 to 150	$^\circ\text{C}$	

- Notes: The absolute maximum ratings are values which must not individually be exceeded, and furthermore, no two of which may be realized at the same time.
1. The input and output voltage ratings may be exceeded if the input and output clamp-current ratings are observed.
  2. This value is limited to 4.6 V maximum.
  3. The maximum package power dissipation was calculated using a junction temperature of 150°C.

## Recommended Operating Conditions

Item	Symbol	Min	Max	Unit	Conditions
Supply voltage range	$V_{CC}$	1.2	3.6	V	
Input voltage range	$V_I$	0	3.6	V	
Output voltage range	$V_O$	0	$V_{CC}$	V	
Output current	$I_{OH}$	—	-2	mA	$V_{CC} = 1.2\text{ V}$
		—	-4		$V_{CC} = 1.4\text{ V}$
		—	-6		$V_{CC} = 1.65\text{ V}$
		—	-18		$V_{CC} = 2.3\text{ V}$
		—	-24		$V_{CC} = 3.0\text{ V}$
	$I_{OL}$	—	2	$V_{CC} = 1.2\text{ V}$	
		—	4	$V_{CC} = 1.4\text{ V}$	
		—	6	$V_{CC} = 1.65\text{ V}$	
		—	18	$V_{CC} = 2.3\text{ V}$	
		—	24	$V_{CC} = 3.0\text{ V}$	
Input transition rise or fall rate	$\Delta t / \Delta v$	0	20	ns / V	$V_{CC} = 1.2\text{ to }2.7\text{ V}$
		0	10		$V_{CC} = 3.3\pm 0.3\text{ V}$
Operating free-air temperature	$T_a$	-40	85	°C	

Note: Unused or floating inputs must be held high or low.

**Electrical Characteristics**

(Ta = -40 to 85°C)

Item	Symbol	V <sub>cc</sub> (V)†	Min	Typ	Max	Unit	Test conditions
Input voltage	V <sub>IH</sub>	1.2	V <sub>cc</sub> ×0.75	—	—	V	
		1.4 to 1.6	V <sub>cc</sub> ×0.7	—	—		
		1.65 to 1.95	V <sub>cc</sub> ×0.7	—	—		
		2.3 to 2.7	1.7	—	—		
		3.0 to 3.6	2.0	—	—		
	V <sub>IL</sub>	1.2	—	—	V <sub>cc</sub> ×0.25		
		1.4 to 1.6	—	—	V <sub>cc</sub> ×0.3		
		1.65 to 1.95	—	—	V <sub>cc</sub> ×0.3		
		2.3 to 2.7	—	—	0.7		
		3.0 to 3.6	—	—	0.8		
Output voltage	V <sub>OH</sub>	Min to Max	V <sub>cc</sub> -0.2	—	—	V	I <sub>OH</sub> = -100 μA
		1.2	0.9	—	—		I <sub>OH</sub> = -2 mA
		1.4	1.1	—	—		I <sub>OH</sub> = -4 mA
		1.65	1.2	—	—		I <sub>OH</sub> = -6 mA
		2.3	1.7	—	—		I <sub>OH</sub> = -18 mA
		3.0	2.2	—	—		I <sub>OH</sub> = -24 mA
	V <sub>OL</sub>	Min to Max	—	—	0.2	I <sub>OL</sub> = 100 μA	
		1.2	—	—	0.3	I <sub>OL</sub> = 2 mA	
		1.4	—	—	0.3	I <sub>OL</sub> = 4 mA	
		1.65	—	—	0.3	I <sub>OL</sub> = 6 mA	
		2.3	—	—	0.55	I <sub>OL</sub> = 18 mA	
		3.0	—	—	0.55	I <sub>OL</sub> = 24 mA	
		—	—	—	—	—	—
Input current	I <sub>IN</sub>	3.6	—	—	±5	μA	V <sub>IN</sub> = 3.6 V or GND
Off state output current	I <sub>OZ</sub>	3.6	—	—	±5	μA	V <sub>O</sub> = V <sub>cc</sub> or GND
Quiescent supply current	I <sub>CC</sub>	3.6	—	—	10	μA	V <sub>IN</sub> = V <sub>cc</sub> or GND, I <sub>O</sub> = 0
Output leakage current	I <sub>OFF</sub>	0	—	—	5	μA	V <sub>IN</sub> or V <sub>O</sub> = 0 to 3.6 V
Input capacitance	C <sub>IN</sub>	3.3	—	4.5	—	pF	V <sub>IN</sub> = V <sub>cc</sub> or GND

Note: For conditions shown as Min or Max, use the appropriate values under recommended operating conditions.

## Switching Characteristics

( $T_a = -40$  to  $85^\circ\text{C}$ )

- $V_{CC} = 1.2\text{ V}$

Item	Symbol	Min	Typ	Max	Unit	Test conditions	FROM (Input)	TO (Output)
Propagation delay time	$t_{PLH}$ $t_{PHL}$	—	5.5	—	ns	$C_L = 15\text{ pF}$	A	Y
Enable time	$t_{ZH}$ $t_{ZL}$	—	6.5	—	ns	$C_L = 15\text{ pF}$	$\overline{OE}$	Y
Disable time	$t_{HZ}$ $t_{LZ}$	—	4.5	—	ns	$C_L = 15\text{ pF}$	$\overline{OE}$	Y

- $V_{CC} = 1.5\pm 0.1\text{ V}$

Item	Symbol	Min	Typ	Max	Unit	Test conditions	FROM (Input)	TO (Output)
Propagation delay time	$t_{PLH}$ $t_{PHL}$	2.0	—	7.0	ns	$C_L = 15\text{ pF}$	A	Y
Enable time	$t_{ZH}$ $t_{ZL}$	2.0	—	7.0	ns	$C_L = 15\text{ pF}$	$\overline{OE}$	Y
Disable time	$t_{HZ}$ $t_{LZ}$	2.0	—	7.0	ns	$C_L = 15\text{ pF}$	$\overline{OE}$	Y

- $V_{CC} = 1.8\pm 0.15\text{ V}$

Item	Symbol	Min	Typ	Max	Unit	Test conditions	FROM (Input)	TO (Output)
Propagation delay time	$t_{PLH}$ $t_{PHL}$	1.5	—	5.0	ns	$C_L = 30\text{ pF}$	A	Y
Enable time	$t_{ZH}$ $t_{ZL}$	1.5	—	5.0	ns	$C_L = 30\text{ pF}$	$\overline{OE}$	Y
Disable time	$t_{HZ}$ $t_{LZ}$	1.5	—	5.0	ns	$C_L = 30\text{ pF}$	$\overline{OE}$	Y

**Switching Characteristics (cont)**

- $V_{CC} = 2.5 \pm 0.2$  V

Item	Symbol	Min	Typ	Max	Unit	Test conditions	FROM (Input)	TO (Output)
Propagation delay time	$t_{PLH}$ $t_{PHL}$	1.0	—	4.0	ns	$C_L = 30$ pF	A	Y
Enable time	$t_{ZH}$ $t_{ZL}$	1.0	—	4.0	ns	$C_L = 30$ pF	$\overline{OE}$	Y
Disable time	$t_{HZ}$ $t_{LZ}$	1.0	—	4.0	ns	$C_L = 30$ pF	$\overline{OE}$	Y

- $V_{CC} = 3.3 \pm 0.3$  V

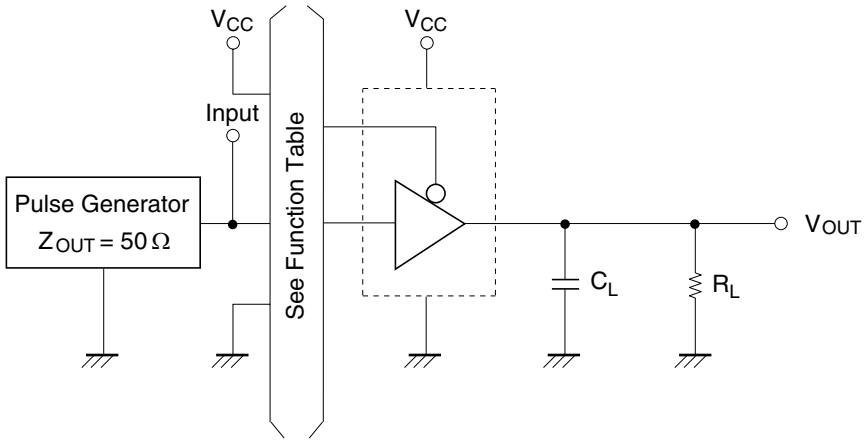
Item	Symbol	Min	Typ	Max	Unit	Test conditions	FROM (Input)	TO (Output)
Propagation delay time	$t_{PLH}$ $t_{PHL}$	1.0	—	3.0	ns	$C_L = 30$ pF	A	Y
Enable time	$t_{ZH}$ $t_{ZL}$	1.0	—	3.0	ns	$C_L = 30$ pF	$\overline{OE}$	Y
Disable time	$t_{HZ}$ $t_{LZ}$	1.0	—	3.0	ns	$C_L = 30$ pF	$\overline{OE}$	Y

**Operating Characteristics**

( $T_a = 25^\circ\text{C}$ )

Item	Symbol	$V_{CC}$ (V)	Min	Typ	Max	Unit	Test conditions
Power dissipation capacitance	$C_{PD}$	1.5	—	10.5	—	pF	$f = 10$ MHz
		1.8	—	10.5	—		
		2.5	—	11.0	—		
		3.3	—	13.0	—		

## Test Circuit - 1

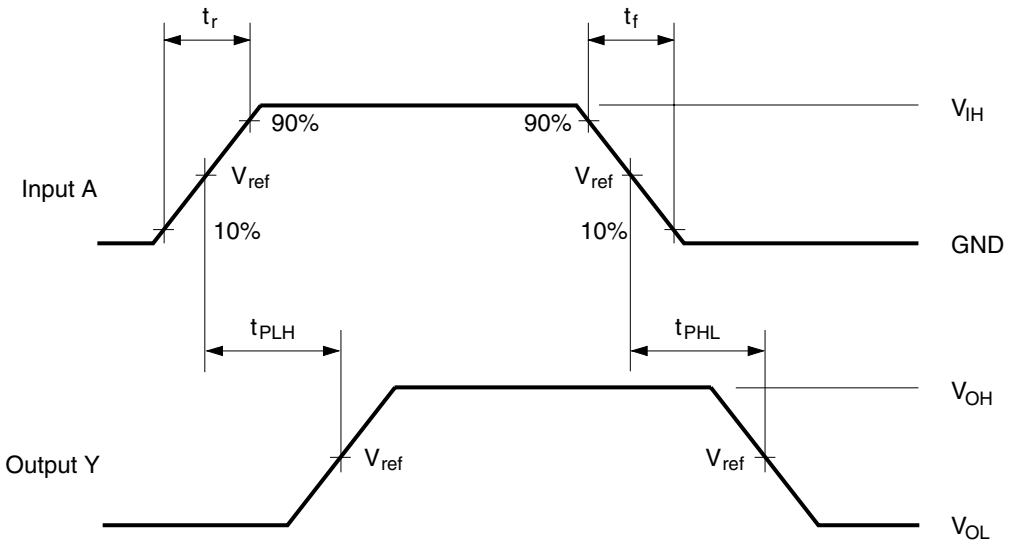


Symbol	$V_{CC} = 1.2 \text{ V},$ $1.5 \pm 0.1 \text{ V}$	$V_{CC} = 1.8 \pm 0.15 \text{ V}$	$V_{CC} = 2.5 \pm 0.2 \text{ V},$ $3.3 \pm 0.3 \text{ V}$
$R_L$	2.0 k $\Omega$	1.0 k $\Omega$	500 $\Omega$
$C_L$	15 pF	30 pF	30 pF

Note:  $C_L$  includes probe and jig capacitance.



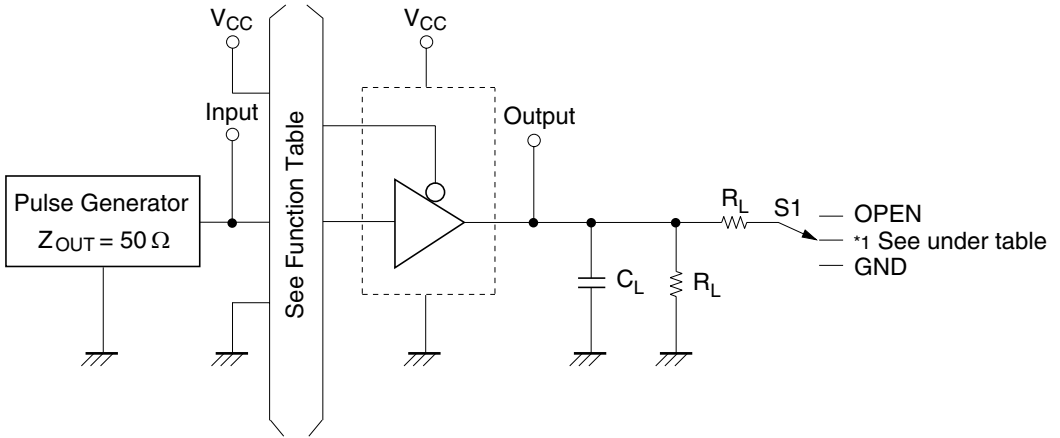
Waveforms - 1



Symbol	$V_{CC} = 1.2\text{ V},$ $1.5 \pm 0.1\text{ V},$ $1.8 \pm 0.15\text{ V}$	$V_{CC} = 2.5 \pm 0.2\text{ V}$	$V_{CC} = 3.3 \pm 0.3\text{ V}$
$t_r / t_f$	2.0 ns	2.5 ns	2.5 ns
$V_{IH}$	$V_{CC}$	$V_{CC}$	2.7 V
$V_{ref}$	50%	50%	1.5 V

Note: Input waveform : PRR = 10 MHz, duty cycle 50%

## Test Circuit - 2

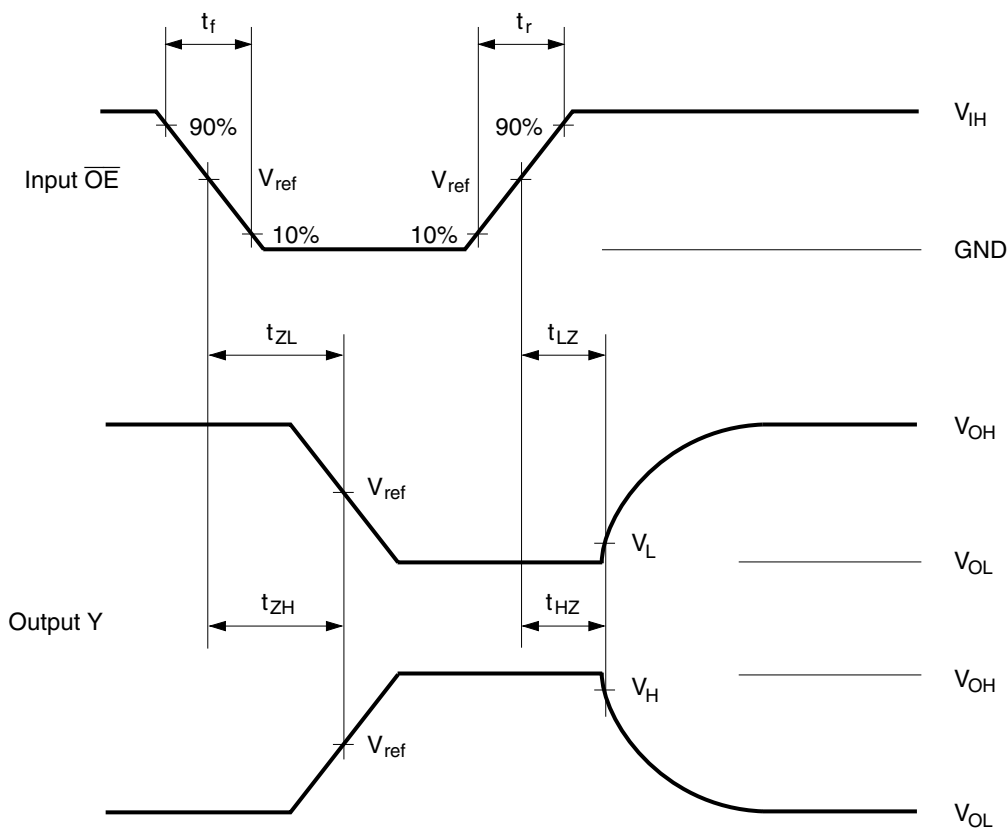


Symbol	S1	
	$V_{CC} = 1.2 \text{ V},$ $1.5 \pm 0.1 \text{ V},$ $1.8 \pm 0.15 \text{ V},$ $2.5 \pm 0.2 \text{ V}$	$V_{CC} = 3.3 \pm 0.3 \text{ V}$
$t_{PLH} / t_{PHL}$	OPEN	OPEN
$t_{HZ} / t_{ZH}$	GND	GND
$t_{LZ} / t_{ZL}$	$V_{CC} \times 2$	6.0

Symbol	$V_{CC} = 1.2 \text{ V},$ $1.5 \pm 0.1 \text{ V}$	$V_{CC} = 1.8 \pm 0.15 \text{ V}$	$V_{CC} = 2.5 \pm 0.2 \text{ V},$ $3.3 \pm 0.3 \text{ V}$
$R_L$	2.0 k $\Omega$	1.0 k $\Omega$	500 $\Omega$
$C_L$	15 pF	30 pF	30 pF

Note:  $C_L$  includes probe and jig capacitance.

Waveforms - 2



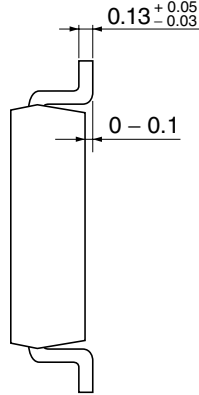
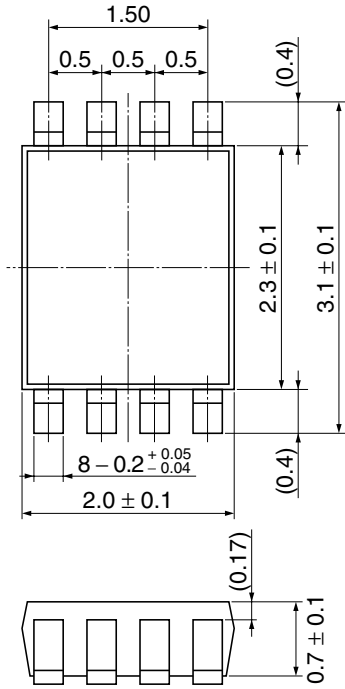
Symbol	$V_{CC} = 1.2 \text{ V},$ $1.5 \pm 0.1 \text{ V}$	$V_{CC} = 1.8 \pm 0.15 \text{ V}$	$V_{CC} = 2.5 \pm 0.2 \text{ V}$	$V_{CC} = 3.3 \pm 0.3 \text{ V}$
$t_r / t_f$	2.0 ns	2.0 ns	2.5 ns	2.5 ns
$V_{IH}$	$V_{CC}$	$V_{CC}$	$V_{CC}$	2.7 V
$V_{ref}$	50%	50%	50%	1.5 V
$V_H / V_L$	$V_H = V_{OH} - 0.1 \text{ V}$ $V_L = V_{OL} + 0.1 \text{ V}$	$V_H = V_{OH} - 0.15 \text{ V}$ $V_L = V_{OL} + 0.15 \text{ V}$	$V_H = V_{OH} - 0.15 \text{ V}$ $V_L = V_{OL} + 0.15 \text{ V}$	$V_H = V_{OH} - 0.3 \text{ V}$ $V_L = V_{OL} + 0.3 \text{ V}$

Note: Input waveform : PRR = 10 MHz, duty cycle 50%

## Package Dimensions

As of January, 2001

Unit: mm



Hitachi Code	TTP-8DB
JEDEC	—
EIAJ	—
Mass (reference value)	0.25 g

**Disclaimer**

1. Hitachi neither warrants nor grants licenses of any rights of Hitachi's or any third party's patent, copyright, trademark, or other intellectual property rights for information contained in this document. Hitachi bears no responsibility for problems that may arise with third party's rights, including intellectual property rights, in connection with use of the information contained in this document.
2. Products and product specifications may be subject to change without notice. Confirm that you have received the latest product standards or specifications before final design, purchase or use.
3. Hitachi makes every attempt to ensure that its products are of high quality and reliability. However, contact Hitachi's sales office before using the product in an application that demands especially high quality and reliability or where its failure or malfunction may directly threaten human life or cause risk of bodily injury, such as aerospace, aeronautics, nuclear power, combustion control, transportation, traffic, safety equipment or medical equipment for life support.
4. Design your application so that the product is used within the ranges guaranteed by Hitachi particularly for maximum rating, operating supply voltage range, heat radiation characteristics, installation conditions and other characteristics. Hitachi bears no responsibility for failure or damage when used beyond the guaranteed ranges. Even within the guaranteed ranges, consider normally foreseeable failure rates or failure modes in semiconductor devices and employ systemic measures such as fail-safes, so that the equipment incorporating Hitachi product does not cause bodily injury, fire or other consequential damage due to operation of the Hitachi product.
5. This product is not designed to be radiation resistant.
6. No one is permitted to reproduce or duplicate, in any form, the whole or part of this document without written approval from Hitachi.
7. Contact Hitachi's sales office for any questions regarding this document or Hitachi semiconductor products.

**Sales Offices**

---



---

# HITACHI

**Hitachi, Ltd.**

Semiconductor & Integrated Circuits  
 Nippon Bldg., 2-6-2, Ohte-machi, Chiyoda-ku, Tokyo 100-0004, Japan  
 Tel: (03) 3270-2111 Fax: (03) 3270-5109

URL       NorthAmerica       : <http://semiconductor.hitachi.com/>  
           Europe                : <http://www.hitachi-eu.com/hel/ecg>  
           Asia                     : <http://sicapac.hitachi-asia.com>  
           Japan                    : <http://www.hitachi.co.jp/Sicd/indx.htm>

**For further information write to:**

<p>Hitachi Semiconductor (America) Inc.                  179 East Tasman Drive                  San Jose, CA 95134                  Tel: &lt;1&gt; (408) 433-1990                  Fax: &lt;1&gt;(408) 433-0223</p>	<p>Hitachi Europe Ltd.                  Electronic Components Group                  Whitebrook Park                  Lower Cookham Road                  Maidenhead                  Berkshire SL6 8YA, United Kingdom                  Tel: &lt;44&gt; (1628) 585000                  Fax: &lt;44&gt; (1628) 585200</p> <p>Hitachi Europe GmbH                  Electronic Components Group                  Dornacher Straße 3                  D-85622 Feldkirchen, Munich                  Germany                  Tel: &lt;49&gt; (89) 9 9180-0                  Fax: &lt;49&gt; (89) 9 29 30 00</p>	<p>Hitachi Asia Ltd.                  Hitachi Tower                  16 Collyer Quay #20-00                  Singapore 049318                  Tel : &lt;65&gt;-538-6533/538-8577                  Fax : &lt;65&gt;-538-6933/538-3877                  URL : <a href="http://www.hitachi.com.sg">http://www.hitachi.com.sg</a></p> <p>Hitachi Asia Ltd.                  (Taipei Branch Office)                  4/F, No. 167, Tun Hwa North Road                  Hung-Kuo Building                  Taipei (105), Taiwan                  Tel : &lt;886&gt;-(2)-2718-3666                  Fax : &lt;886&gt;-(2)-2718-8180                  Telex : 23222 HAS-TP                  URL : <a href="http://www.hitachi.com.tw">http://www.hitachi.com.tw</a></p>	<p>Hitachi Asia (Hong Kong) Ltd.                  Group III (Electronic Components)                  7/F., North Tower                  World Finance Centre,                  Harbour City, Canton Road                  Tsim Sha Tsui, Kowloon                  Hong Kong                  Tel : &lt;852&gt;-(2)-735-9218                  Fax : &lt;852&gt;-(2)-730-0281                  URL : <a href="http://semiconductor.hitachi.com.hk">http://semiconductor.hitachi.com.hk</a></p>
---	---	---	--

Copyright © Hitachi, Ltd., 2001. All rights reserved. Printed in Japan.  
 Colophon 4.0